

ELMO

TNC4614X

High-Resolution Day & Night DSP Color Camera



High-quality Day & Night DSP Color Camera with the latest CCD technology which boasts high sensitivity, higher S/N, less smear and near IR sensitivity.

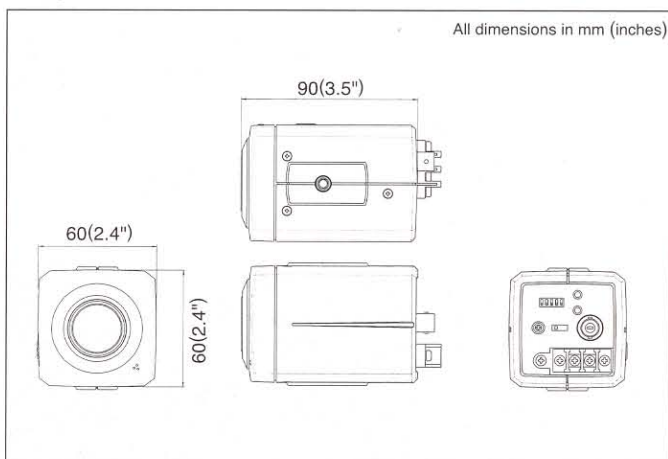
- Color in day, Black and White at night for advanced visual versatility
- 0.1lx high sensitivity and less-smear pictures
- 480 TV lines horizontal resolution
- Digital Video Recorder ready
- Built-in isolation for sophisticated system integration
- AES, BLC, selectable White Balance for all kinds of tough requirements
- Supports DC & Video driven auto-iris lenses
- Easy back focus adjustment. Simple focus wheel with minimum effort
- Dual power capability 24V AC/ 12V DC
- Compact body design (2.4x2.4x3.5")

ELMO

Visualizing technology since 1921

High-Resolution Day & Night DSP Color Camera TNC4614X

PROFILE



SPECIFICATIONS

Model	TNC4614X	
Power source	DC12V(DC11V-35V)	AC24V(AC15V-27V) 60Hz ± 0.5Hz
Power consumption	Approx.4.5W	Approx.4.0W
Pick-up device	1/3" Color interline-transfer CCD	
Effective picture element	768 (Horizontal) x 494(Vertical)	
Scanning area	4.9mm(H) x 3.7mm(V)	
Scanning system	2:1 Interlaced	
Scanning frequency (H) (V)	Int : 15.734kHz, 59.94Hz / LL: 15.75kHz, 60Hz	
Sync. system	Internal	Line-lock/Internal
Resolution	480TV lines(H) 350TV lines(V)	
Minimum illumination	0.1lx	
AGC (Automatic Gain Control)	Built-in	
Day/night	Built-in (Factory-set at OFF)	
White balance	ATW/Manual/Preset (Factory-set at ATW)	
Backlight control	Built-in (Factory-set at OFF)	
AES (Automatic Electronic Shutter)	Built-in (Factory-set at OFF) 1/60~1/100,000 sec.	
Output signal	VBS 1.0 Vp-p, 75Ω, NTSC, compatible	
Auto-iris terminal	4P (DC/Video)	
Power terminal	2P terminal strip	
Lens mount	CS	
Ambient temperature	-10°C ~ +50°C (14°F ~ 122°F)	
Ambient humidity	30%~90%	
Dimensions	60(W) x60(H)x90(D)mm (2.4x2.4x3.5inches)	
Weight	300gmm (0.7.lbs)	

NOTE: Design and specifications are subject to change without prior notice.
*Dimensions and weight are approximate.

ELMO® ELMO CO., LTD.

6-14, Meizen-cho, Mizuho-ku,
Nagoya, 467-8567 Japan
E-mail:foreign-div@elmo.co.jp

Distributed by

Additional technical information is available from any of the following subsidiary companies:

ELMO Mfg. Corp.

1478 Old Country Road,
Plainview, NY 11803-5034, U.S.A.
Tel. 516-501-1400 Fax. 516-501-0429
E-mail:elmo@elmousa.com
Web:http://www.elmousa.com

ELMO (Europe) G.m.b.H.

Neanderstr 18,
40233 Düsseldorf, Germany
Tel. 0211-376051-53 Fax.0211-376630
E-mail:elmo@elmo.de
Web:http://www.elmo.de

ELMO Canada Mfg. Corp.

44 West Drive, Brampton,
Ontario, L6T 3T6, Canada
Tel. 905-453-7880 Fax.905-453-2391
E-mail:info@elmocanada.com
Web:http://www.elmocanada.com

ELMO and **ELMO** are registered trademarks of ELMO COMPANY, LIMITED.

PRINTED ON RECYCLED PAPER
Printed in Japan(S)08/2003