



MODEL : STm.117b

MOBILE PRINTER

Table of Contents

1. Unpacking	3
2. Product overview	4
3. Usage and Installation	5
3-1. Control panel usage	5
3-2. Battery Installation	6
3-3. Battery charging	7
3-4. Battery charger usage	8
3-5. Usage of Cigar Jack for charging	9
3-6. Roll paper installation	10
3-7. Leather case usage	11
3-8. Self test	12
4. Peripherals connection	13
4-1. Bluetooth connection	13
4-2. Interface cable connection	14
5. Printer cleaning	15
6. Printer specification	16
6-1. Specification	16
7. CPCL Command Compatibility	18
8. Certification	21
9. Setting up the software	23



Disposal of Old Electrical&Electronic Equipment(Applicable in the European Union and other European countries with separate collection systems)

This symbol on the product or on its packaging indicates that this product shall not be treated as household waste.

Instead it shall be handed over to the applicable collection point for the recycling of electrical and electronics equipment. For more detailed information about recycling of this product, please contact your local city office, your household waste disposal service or the shop where you purchased the product.

1. Unpacking

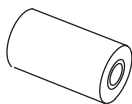
Standard



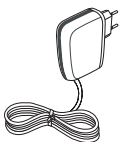
Printer



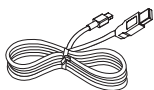
Battery



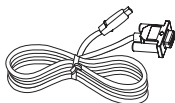
Roll paper



Charger



USB Cable Shielded



Serial Cable

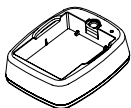


CD



Quick Manual

Optional



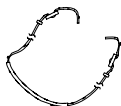
Battery Holder (Cradle)



Cigar Jack Charger



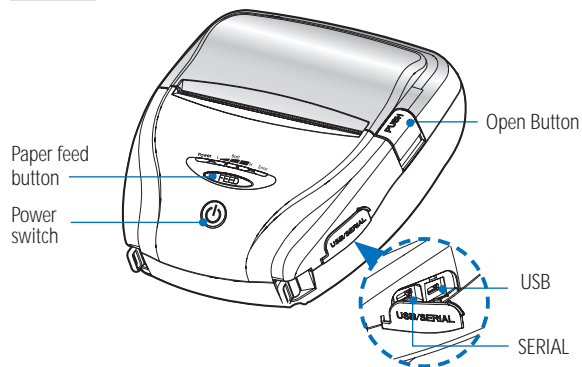
Leather case



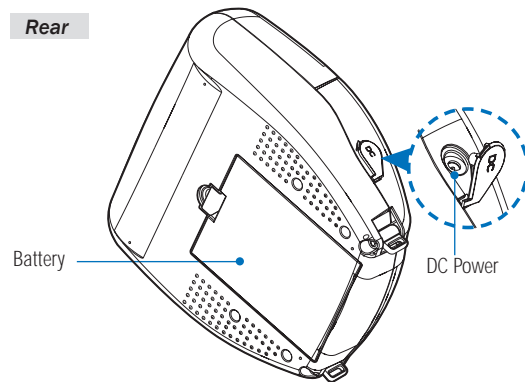
Shoulder strap

2. Product overview

Front

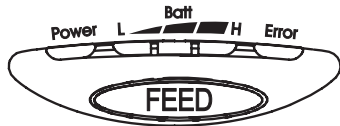





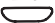
Rear



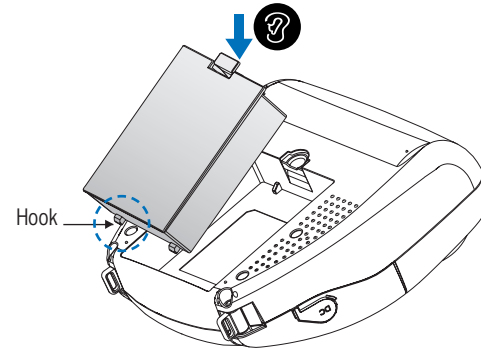
3. Usage and Installation

3-1 Control panel usage



Button	Name	function
	Power button	This button is used to turn the printer on and off. When the printer is off, press this button for approximately 3 seconds and it will turn on the power. When you press this button in a state that the printer is on, the printer will turn off.
	Paper Feed Button	Paper output can be done manually by pressing this button. Additionally, self-testing and Hexadecimal Dumping can be processed.. 1. Refer to "3-10" for self test information. 2. Refer to the service manual regarding Hexadecimal Dumping.
	Battery Status Lamp	1. If the Batt, LED are Lit, the battery is fully charged. 2. If you can hear beeping sound and LED light is turned off, it means that the battery is at the lowest level. 3. If the battery is not charged at all, the printer turns off automatically.
	Error Lamp	If the red light is turned on, it means there is no paper roll or the paper cover is open.

3-2 Battery Installation



1. Align battery hook as shown in the picture
2. Push the battery into the printer until it locks in place.

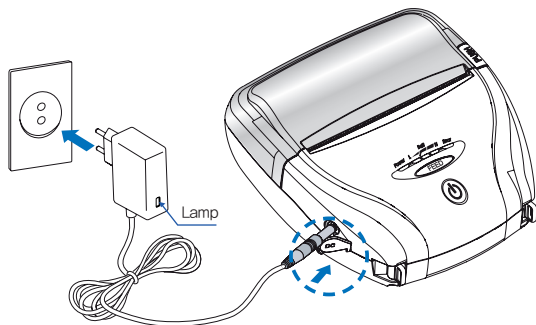
NOTE

As the battery is not charged at the time of your purchase, charge the battery prior to using the printer (Battery charger or Cradle can be used to charge)

CAUTION

Risk of explosion if battery is replaced by an incorrect type. Dispose of used batteries according to the instructions

3-3 Battery charging



1. Be sure that the printer is turned off
2. After open the DC JACK cover, insert DC JACK into the printer.
3. Plug the power code to electrical outlet.

3-3-1 The status of lamp in charging

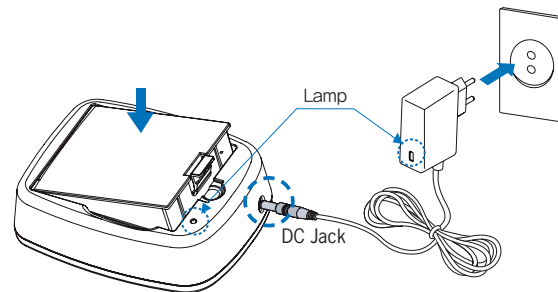
Status	charging	charging complete
Charging Lamp	Red	Green

NOTE

1. Unless the exclusive charger is used provided by the manufacturer, the printer can be damaged, and the manufacturer is not liable for the consequential damage.
2. Before removing the battery, make sure that power is turned off.
3. Printer does not work in the status of being connected with charger only.
4. The battery should be installed to operate printer.
5. While charging, do not turn on the power.
6. Do not operate the print while charging the battery.
7. Do not connect the charger while the printer is operated.

3-4 Battery charger usage

Optional



1. Insert the battery into the battery holder as shown above
2. Connect the DC JACK to the power electrical outlet.
3. Plug the power code into the electrical outlet.
4. Once the charging is completed, remove the battery from the holder.

3-4-1 The status of lamp in charging

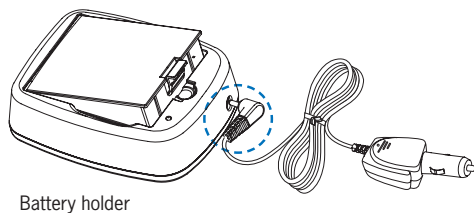
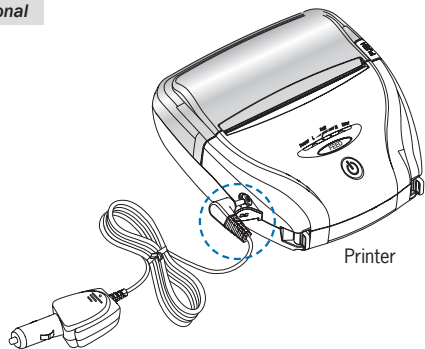
Status	charging	charging complete
Charging Lamp	Red	Green

NOTE

In the case the battery is not fixed properly in the holder, the red lamp will be blinking, Then, extract and reinsert the battery.

3-5 Usage of Cigar Jack Charger for charging

Optional



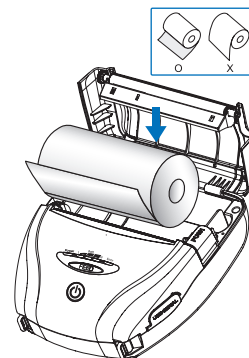
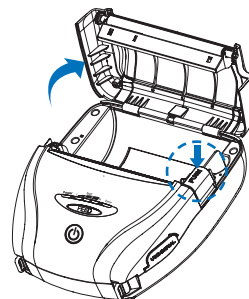
Connect the car cigar JACK charger into the printer or battery holder.

Input	12 ~ 24V
Output	8.4V 0.8 ~ 1.2A

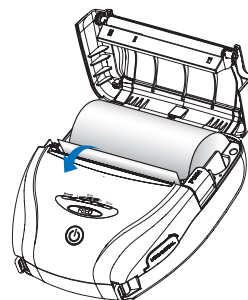
NOTE

Use the Cigar Jack offered by the manufacturer.

3-6 Roll Paper installation

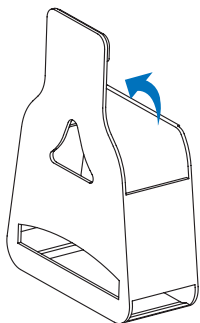


1 2
3 4

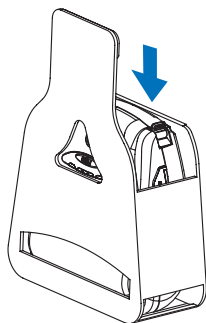


3-7 Leather case usage

Optional

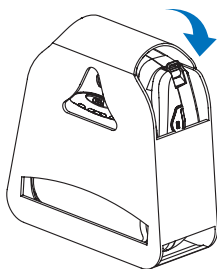


Open the leather case



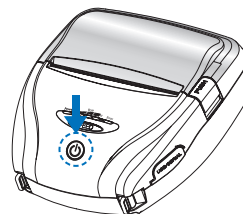
Place the printer into the leather case

1 2
3

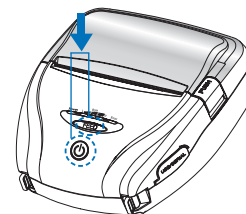


Close the Velcro and stick the cover.

3-8 Self Test



Turn off the power pressing the power button for approximately 3 seconds.



While you are pressing the FEED button, press the power button

1 2
3

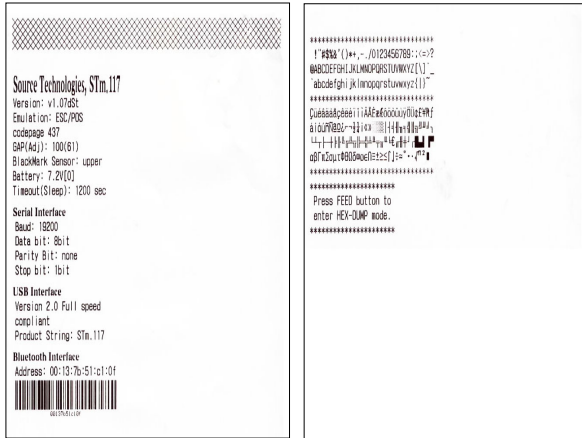
NOTE

1. To print ASCII pattern additionally, press the Feed button once more
2. After printing ASCII pattern, the self test will be finished automatically.
3. If the Feed button is not pressed to print ASCII pattern, self test will be finished automatically after 30 seconds.



The printout is produced.

The sample of self test printout



When the printer is installed initially or when you face a problem, you can run the self test and check the information about

-Control Circuit, Mechanism, Print Quality, ROM Version

After checking with self-test and no issues are found, you can examine other devices and software. This function is working independent of devices and software.

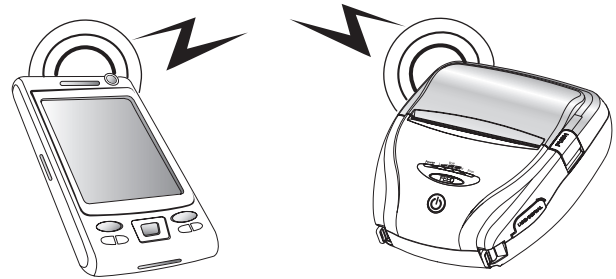
● Motor protection from being overheated

The motor should be stopped and cooled about more than 30 seconds after continuous printing 1.5 meter

4. Peripherals connection

This printer can communicate with Peripherals device via Bluetooth and cables.

4-1 Bluetooth Connection

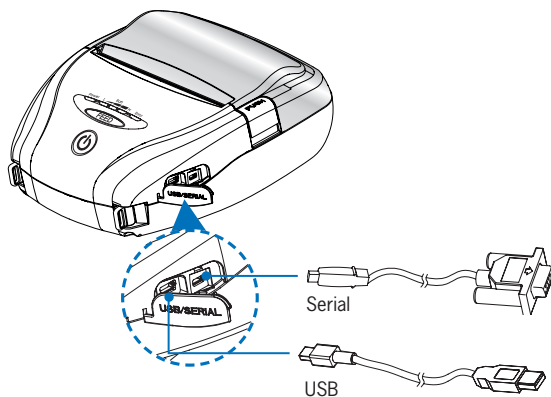


1. Printer can be connected to the PDA and PC which can do wireless communication.
2. By using Bluetooth function supported in PC, printer can be connected.

✔ NOTE

Refer to the Bluetooth Manual for more details on connection.

4-2 Interface Cable Connection



1. Connect USB or Serial cable into the cable connector on the printer.

✔ NOTE

Use the cable offered by the manufacturer (USB, Serial)

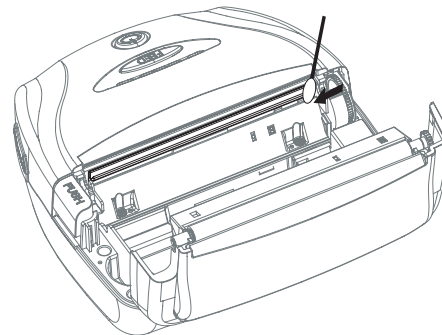
2. Connect the interface cable into the USB or Serial port of the device (PDA, PC, etc.)

5. Printer cleaning

If the interior of the printer is dusty, printing quality can lowered. In such a case, follow the instructions below to clean up the printer.

✔ NOTE

1. Make sure to turn the printer power off prior to cleaning
2. Regarding print head cleaning, as the print head sets very hot during printing, turn off the printer power and wait approximately 10 minute before commencement.
3. When cleaning the print head, take care not to touch the heated portion of the print head. The print head subject to be damaged by static electricity.
4. Take care not to allow the print head to become scratched and /or damaged in any way.



1. Use an applicator swab moistened with an alcohol solution to clean the print head and remove any dusts.
2. Once the cleaning is completed, insert paper roll into the printer few minutes later and close the printer cover.

✔ Preventing Overheating

To prevent the motor from overheating, continuous driving of the printer should be 1.5 m or less in print length. Set the pause time for 30 seconds or more after driving the printer.

6. Pritner Specification

6-1 Specification

Printing Method		Direct Thermal
Printing Speed		80mm/sec
Resolution		203 DPI X 203 DPI
Character	CPCL	7 Different Font Size (12~48pt)
	ESC/POS	Font A (12X24), Font B (9X17)
Character per line		Font A : 48pt , Font B : 64pt
Character set		ALPHA NUMERIC Character, Extension Character
Barcode		EAN-8, EAN-13, Code39, ITF, UPC-A, UPC-E, Codabar, Code93, Code128, PDF417(2D), MAXICODE (2D)
Emulation		ESC/POS, CPCL, Comman1 Compatible
Driver		Window CE 4.2&5.0, Window Mobile 5.0
Sensor		Paper End Sensor , Gap Sensor , Cover Open Sensor , Black Mark Sensor
Paper	paper type	Thermal Paper / Label
	width	50mm ~112mm
	thickness	0.06mm ~ 0.09mm
	External Diameter	Max. ϕ 56mm
	Internal Diameter	12.5mm +/-0.5mm
Reliability	TPH	50km
	Battery	Continuous printing: 48min Standby: 20hours Printing length: 160m
Communications		Serial(RS-232C), USB, Bluetooth Class2
Battery Charger	Battery type	Li-ion
	output	8.4V , 800~1400mA

Battery	Battery type	Li-ion
	output	7.4V, 2200mAh
	Charging time	3hours 40min
Size	W X D X H(mm)	149 X 161 X 69
	W X D X H"	5.8 X 6.3 X 2.7
Weight		0.53kg (With Battery)
Temperature	operation	-10 ~ 50℃
	storage	-20 ~ 60℃
Humidity	operation	35 ~ 95%
	storage	10 ~ 95%

7. CPCL Command Compatibility

NOTE

Compatible	Compatible with only commanders provided by the manufacturer.	Partially Compatible	Not Compatible
○	●	△	x

Printer Commands	Compatibility
PRINT	○
FORM	○
JOURNAL	○
UNITS	○
Comments	○
TEXT	Compatibility
TEXT	○
FONT-GROUP(FG)	○
TEXT CONCATENATION	○
MULTILINE(ML)	○
COUNT	○
SETMAG	○
SCALABLE TEXT	x
Linear Bar Codes	Compatibility
BARCODE	○
BARCODE-TEXT	○
Two-Dimensional Bar Codes	Compatibility
PDF417 (PORTABLE DATA FILE)	○
MAXICODE	○
QRCODE	●
DATAMATRIX	●
GS1(RSS)	●

Graphics	Compatibility
BOX	○
LINE	○
INVERSE-LINE	○
PATTERN	○
GRAPHICS	○
PCX	○
Advanced Commands	Compatibility
CONTRAST	○
TONE	○
JUSTIFICATION	○
PAGE-WIDTH	○
PACE	○
NO-PACE	○
WAIT	○
REWIND	x
TENSION	x
SPEED	○
SETSP	○
ON-OUT-OF-PAPER	x
ON-FEED	○
PREFEED	○
POSTFEED	○
PRESENT-AT	x
COUNTRY/CODE PAGE	○
FORMAT FILES	○
BEEP	○
CUT	x
PATIAL-CUT	x
MCR	●

Line Print Mode	Compatibility
SETLP	○
SETLF	○
Moving With X and Y Coordinates	○
LMARGIN	○
SETBOLD	○
SETSP	○
Special ASCII Characters	○
SETFF	○
SET-TOF	○
SETLP-TIMEOUT	○

8.Certification

FCC Information

This device complies with part 15 of the FCC Results. Operation is subject to the following two conditions:

- (1) This Device may not cause harmful interface, and
- (2) This device must accept any interference received, including interference that may cause undesired operation.

NOTE

This equipment has been tested and found to comply with the limits for CLASS B digital device, pursuant to Part 15 of FCC Rules. These limits are designed to provide reasonable protection against harmful interference when the equipment is operated in a commercial environment. This equipment generates, uses and can radiate radio frequency energy and, if not installed and used in accordance with the instructions, may cause harmful interference to radio communications. However, there is no guarantee that interference will not occur in a particular installation. If this equipment does cause harmful interference to radio or television reception, which can be determined by turning the equipment off and on, the user is encouraged to try correct the interference by one or more of the following measures:

- 1.1. Reorient or relocate the receiving antenna.
- 1.2. Increase the separation between the equipment and receiver.
- 1.3. Connect the equipment into an outlet on a circuit different from that to which receiver is connected.
- 1.4. Consult the dealer or experienced radio/TV technician for help.

WARNING

Changes or modifications not expressly approved by the manufacturer could void the user's authority to operate the equipment.

9. Setting up the software

▲CAUTION

Antenna shall be mounted in such a manner to minimize the potential for human contact during normal operation. The antenna should not be contacted during operation to avoid the possibility of exceeding the FCC radio frequency exposure limit.

The device meets the FCC requirements for radio frequency (RF) radiation exposure in the standard body worn configuration with no minimum configuration. In this configuration, which applies whether the belt clip or shoulder strap is used, the face of the printer from which paper is transported is facing away from the user's body. The standard configuration must always be used when the printer is body worn.

Please refer to the programming manual included in CD.