

**SAFETY INSTRUCTIONS..OPERATOR'S MANUAL..**

**PARTS LIST..**

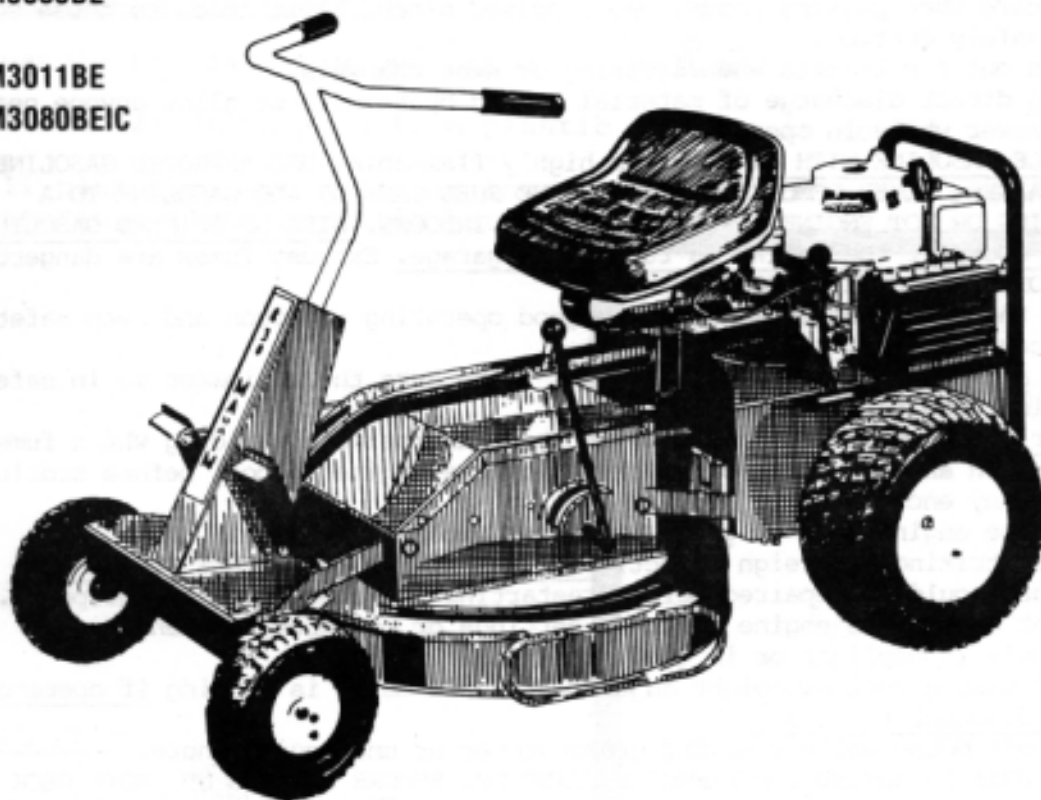
# **MAXIM RIDING MOWER**

M3080B

M3080BE

M3011BE

M3080BEIC



**WARNING**

IF INCORRECTLY USED THIS MACHINE CAN CAUSE SEVERE INJURY. THOSE WHO USE AND MAINTAIN THE MACHINE SHOULD BE TRAINED IN ITS PROPER USE, WARNED OF ITS DANGERS, AND SHOULD READ THE ENTIRE MANUAL BEFORE ATTEMPTING TO SET UP, OPERATE, ADJUST OR SERVICE THE MACHINE.

**MAXIM**

**MAXIM MANUFACTURING CORPORATION**

Sebastopol, MS 39359 Phone 601-625-7471

## SAFE PRACTICES FOR RIDING MOWERS

1. READ THE OPERATOR'S MANUAL THOROUGHLY BEFORE ATTEMPTING TO USE MOWER.
2. Know the controls and how to stop quickly.
3. Never allow children to operate riding mower or adults to operate it without proper instruction.
4. Do not carry passengers. Keep children and pets a safe distance away.
5. Disengage all clutches and shift into neutral before attempting to start engine.
6. Always stop the engine before leaving operator's position.
7. Stop the engine before making any repairs or adjustments.
8. Disengage power to blade when transporting.
9. WEAR GLOVES FOR CLEANING OR ANY MAINTENANCE ON BLADES.
10. WRAP THE BLADE WITH NEWSPAPER OR MATERIALS FOR MAINTENANCE.
11. Check the blade mounting bolts for proper tightness at frequent intervals.
12. Do not stop or start suddenly when going up or downhill.
13. Reduce speed on slopes and in sharp turns to prevent tipping or loss of control. Exercise extreme caution when changing direction on slopes.
14. Stay alert for holes in the terrain and other hidden hazards that could cause upsets.
15. Use care when pulling loads. Use approved hitch. Limit loads to those you can safely control.
16. Watch out for traffic when crossing or near roadways.
17. NEVER direct discharge of material toward bystanders or allow anyone near the mower while in operation.
18. HANDLE GASOLINE WITH CARE- it is highly flammable. USE APPROVED GASOLINE CONTAINER. NEVER REMOVE THE CAP OF THE FUEL TANK OR ADD GASOLINE TO A RUNNING OR HOT ENGINE, OR FILL THE TANK INDOORS. WIPE UP SPILLED GASOLINE.
19. Open doors if the engine is run in the garage. Exhaust fumes are dangerous. DO NOT RUN ENGINE INDOORS.
20. Keep the mower and attachments in good operating condition and keep safety devices in place.
21. Keep all nuts, bolts and screws tight to be sure the equipment is in safe working condition.
22. Never store mower with gasoline in the tank inside a building where fumes may reach an open flame or spark. Allow the engine to cool before storing it in any enclosure.
23. Keep the engine free of grass, leaves or excessive grease.
24. After striking a foreign object, STOP THE MOWER AND INSPECT FOR DAMAGE. Damage should be repaired before restarting and operating the equipment.
25. Do not change the engine governor settings or overspeed the engine.
26. Mow only in daylight or in good artificial light.
27. Never make a cutting height adjustment while motor is running if operator must dismount to do so.
28. Shut off motor while removing grasscatcher or unclogging chute.
29. KNOW WHAT IS BEHIND YOU BEFORE BACKING UP. BEFORE BACKING UP, MOVE DECK ENGAGEMENT SWITCH TO DISENGAGE. DO NOT MOW IN REVERSE UNLESS ABSOLUTELY NECESSARY AND THEN ONLY AFTER CAREFUL OBSERVATION OF THE ENTIRE AREA BEHIND THE MOWER.
30. Do not fill grasscatcher bags when mowing on slope. Empty bags when half full.
31. Do not operate near edge of a ditch or embankment.
32. Do not use the machine on public roads unless it is equipped with per ASAE S279 and SAE J127 lighting and marking standard.
33. It is recommended that your machine be thoroughly inspected once a year by a competent serviceman.
34. If it is necessary to adjust the carburetor with the engine running, take extra care not to allow rings, wristwatches, clothing, etc. to become entangled with moving parts.
35. Always remove the ignition key to prevent children from accidentally starting the machine.

### SAFETY PRACTICES CONTINUED

36. Always store gasoline in locked storage safely away from children.
37. If machine is to be stored for a long time, drain the gasoline tank. Disconnect battery cables or remove battery.
38. ALWAYS REMOVE BATTERY ON ELECTRIC START MODELS WHEN STANDING MOWER ON END.
39. Wear shoes when operating mower (not sandals).
40. See information elsewhere in this book on operating on slopes.

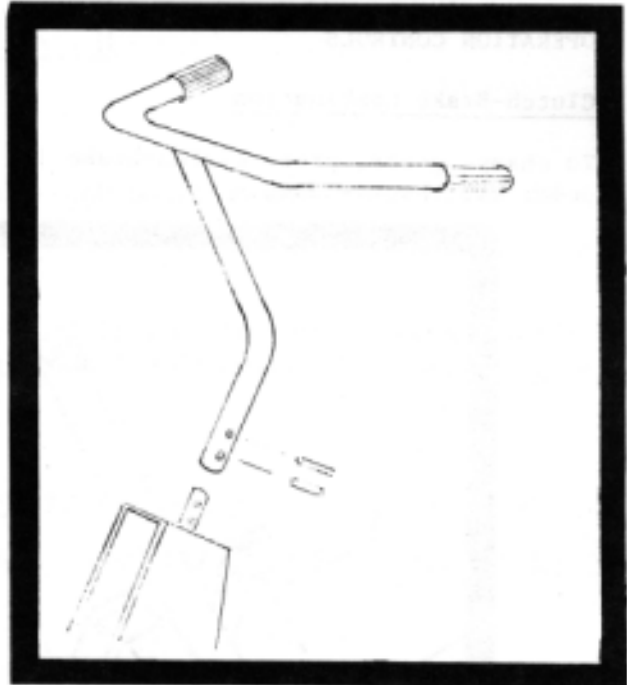
### SET UP INSTRUCTIONS

MAXIM RIDERS ARE FULLY ASSEMBLED EXCEPT FOR HANDLES AND SEAT.

IMPORTANT : READ COMPLETE MANUAL BEFORE ATTEMPTING TO OPERATE MOWER.

#### TO INSTALL HANDLE BAR ASSEMBLY

1. Drop handle bar assembly over steering column.
2. Remove two (2) drive pins from plastic package in box.
3. Install pins thru two holes on lower part of handle bar assembly and steering column by using hammer.



#### TO INSTALL SEAT

1. Remove tape from plastic wrapping .
2. Remove bolt from seat bottom.
3. Locate seat on seat bracket.
4. Install bolt. Tighten bolt firmly with wrench. Check periodically. If seat should at any time seem loose while cutting grass, stop mower immediately and check bolt.

## HOW TO ORDER REPAIR PARTS

TO ELIMINATE ERROR AND SPEED DELIVERY:

1. Write your name and address on your order plainly or type.
2. Specify WHERE to ship and HOW shipment is to be made.
3. Give product NUMBER, NAME, and SERIAL NUMBER.
4. Order by QUANTITY DESIRED, the PART NUMBER, and DESCRIPTION of PART.
5. Address order to MAXIM MFG. CORP., DRAWER A, SEBASTOPOL, MS 39359.
6. INSPECT ALL SHIPMENTS ON RECEIPT. If any parts are damaged or missing, file a claim with the carrier before accepting.
7. ALWAYS include a letter of explanation with any returned materials. List all returned parts. Include your name and address with the shipment. TRANSPORTATION CHARGES MUST BE PREPAID.

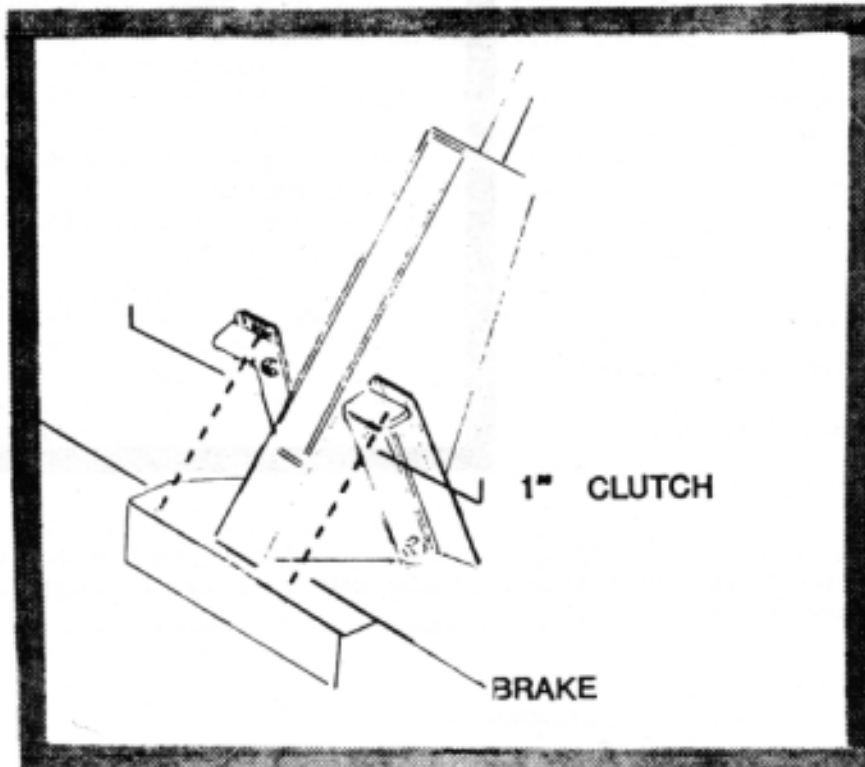
**Minimum parts order \$5.00**

A current parts price quotation is available upon request from Maxim Mfg. Corp.

### OPERATION CONTROLS

#### Clutch-Brake Combination

To change gears, press clutch-brake 1". To stop or brake, depress pedal all the way down.



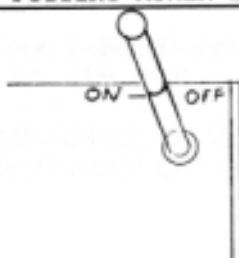
OPERATION CONTROLS CONTINUED

PARK BRAKE

ENGAGING BRAKE - Pull lever towards rear of unit. (See diagram below)

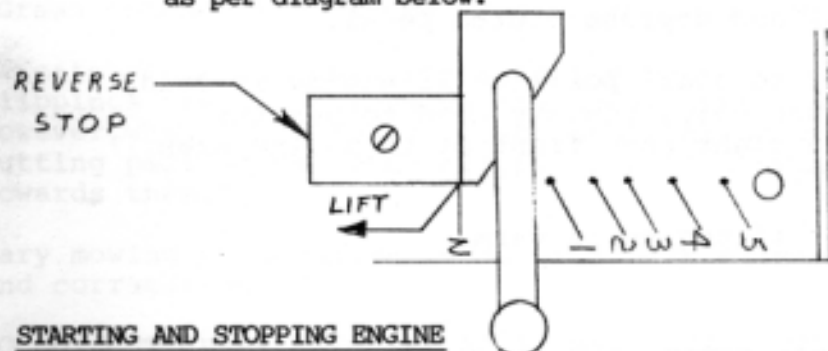
DISENGAGING BRAKE- Pull lever towards front of unit. (See diagram below)

NOTE: DISENGAGE PARK BRAKE BEFORE PUTTING MOWER IN GEAR.



SHIFT LEVER

REVERSE - To set on reverse, pull shift lever upward and back over the reverse stop as per diagram below.

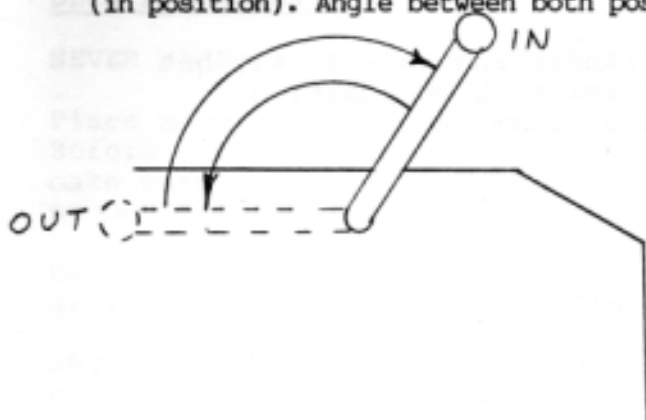


STARTING AND STOPPING ENGINE

Do not attempt to start engine unless blade is in out position and transmission is in neutral. (See diagram below.)

DISENGAGING AND ENGAGING BLADE

Depress lever rearward to disengage blade (out position) or forward to engage blade (in position). Angle between both positions is about 120 degrees. (See diagram below.)



SHIFT LEVER IN NEUTRAL  
AS IN DIAGRAM ABOVE.

Blade and clutch mechanisms are equipped with safety switches described on page 11.

## STARTING AND STOPPING ENGINE CONTINUED

### BEFORE STARTING THE ENGINE

Remove the oil-fill cap and fill the crankcase with oil. Use a high quality detergent oil classified "For SERVICE" SC,SD,SE, or MS. IN temperatures above 40 degrees F. (4.4degrees C) use SAE 30 .If not available, use SAE 10-W .

Fill the fuel tank. Use clean, fresh lead-free or regular grade automotive gasoline. Fill tank completely. DO NOT MIX OIL WITH GASOLINE.

BE CAREFUL NOT TO OVERFILL TANK AS SPILLED GASOLINE CREATES HIGHLY FLAMMABLE GAS VAPORS. WIPE UP SPILLED GAS IMMEDIATELY.

### TO START ENGINE

1. Check fuel supply and oil level.
2. Disengage blade clutch.
3. Put transmission in neutral and depress clutch pedal.
4. Move throttle control lever to start position if engine is cold. If engine does not start when cold, you may need to use the manual choke located at the right hand front of th engine when looking from front of mower.
5. Move lever to SLOW position if engine is warm.

### ELECTRIC START MODELS

Insert key in switch and turn to START. As soon as engine starts release key. Do not keep on START for more than 30 seconds.

(ELECTRIC START models are also equipped with a recoil starter for an alternate way of starting.)

NOTE: STARTER WILL OPERATE, BUT ENGINE WILL NOT START UNLESS TRANSMISSION IS NEUTRAL.

### RECOIL START MODELS

Move throttle to START. Grasp starter cord handle and pull slowly but firmly. When engine starts, move throttle lever to SLOW position. Partial choking may be necessary until engine warms up.

### !!! TO STOP ENGINE!!!

ELECTRIC START - Move throttle control lever to stop.

RECOIL START - Move throttle control lever to STOP.

### OPERATION

Begin mowing on a level area. As you get the "feel of the unit" you can adjust to a proper speed for your lawn.

Overlap each cut. For best results run wheel of mower along uncut grass.

Make first pass with left wheel close to to flower bed walls or foundations so that clippings will be blown in the opposite direction from these. Follow this practice when mowing around trees or other plantings.

## OPERATION CONTINUED

### OPERATING ON SLOPES SAFELY

- Operate up and down - not across- slopes.
- Avoid sudden starts and stops on slopes.
- Be especially careful when you change direction on a slope.
- Avoid parking riding mower on a slope. Park on a level surface if possible.
- Do not operate mower on slopes exceeding 15degrees (27% grade).

Cutting height will vary with different types of grass and individual preference . Generally, grass should be cut 1-1/2" (38mm) in spring and not less than 2" (51mm) in hot summer weather .

### OPERATING WITH GRASS CATCHER

Use of grass catcher will avoid matting which can suffocate grass roots. Using a grass catcher also helps prevent the spreading of weeds by cutting and gathering the seed.

(Grass catcher kit may be ordered from your Maxim dealer.)

If catcher is not used, start on the outside of lawn and cut so the clippings are not thrown on the uncut grass. An exception is made, however, when approaching flower beds, shrubs, etc. Always make your cutting pass so that the clippings will blow away from instead of towards them.

Vary mowing patterns. Variance will help eliminate matting, graining, and corrugation.

DO NOT CUT GRASS WHEN WET AS IT MAY CAUSE STREAKING.  
NEVER PARK MOWER WITHOUT ENGAGING PARK BRAKE. IT MAY ROLL AWAY.

## ADJUSTMENTS

### DECK ADJUSTMENTS

NEVER MAKE ANY ADJUSTMENTS WITH THE ENGINE RUNNING.

Place mower on flat, even surface. Garage or carport is ideal. Before attempting any adjustments to deck, check tire pressure to make sure it is uniform. Refer to information on side of tires for proper information on amount of pressure needed.

Deck should not touch ground or floor. Before adjustment it will be approximately 1" from floor or ground.

WHEN PROPERLY ADJUSTED REAR OF DECK WILL BE APPROXIMATELY 1-1/4" FROM GROUND. FRONT OF DECK SHOULD BE APPROXIMATELY 1" FROM GROUND.

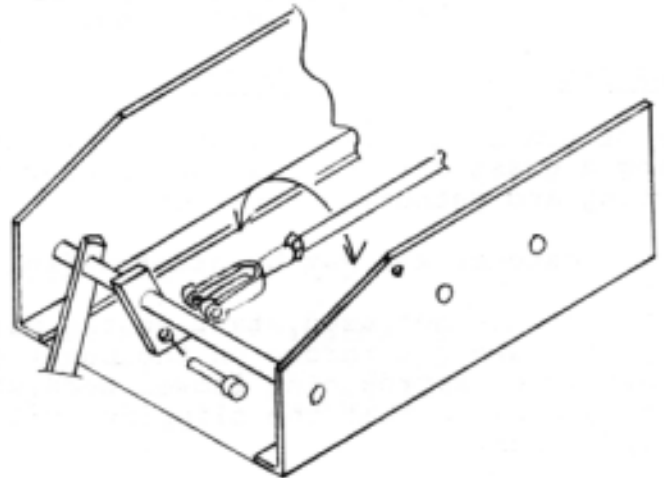
### REAR DECK ADJUSTMENT (SHOULD BE DONE FIRST)

1. Loosen nuts on REAR DECK HANGER ROD (REF.25) page 14 , located at rear of the deck.
2. Adjust up or down until lower edge of rear deck is approximately 1-1/4" from floor or ground.

## ADJUSTMENTS CONTINUED

### FRONT ADJUSTMENT

1. Remove belt cover.
2. Remove cotter pin from 5/16" YOKE AND CLEVIS (SEE DRAWING BELOW) which is inserted thru yoke attached to front height adjustment rod.
3. Raise front of deck slightly to remove weight from rod.
4. Turn 5/16" YOKE (SEE DRAWING BELOW) clockwise to raise deck as shown on drawing. (One complete turn of yoke will raise deck 1/8"). Turn yoke counterclockwise to lower deck. A tolerance of 1/8" is allowable. Front edge should be approximately 1" from floor.
5. Replace clevis pin.
6. Replace cotter pin.



### BLADE

- IMPORTANT:
1. WEAR GLOVES FOR CLEANING OR ANY MAINTENANCE ON BLADES.
  2. WRAP THE BLADE WITH NEWSPAPER OR OTHER MATERIAL FOR MAINTENANCE.

BEFORE ATTEMPTING TO REMOVE BLADE, ALWAYS DISCONNECT SPARK PLUG WIRE TO PREVENT ACCIDENTAL STARTING. DO NOT STAND MOWER ON END WITHOUT REMOVING BATTERY. Blade should be replaced if it becomes bent or chipped. If blade becomes dull, it should be sharpened or replaced.

Blade retaining bolt should be TIGHT. Bolt must be tightened to 70-80 foot pounds torque.

Check blade clearance from deck. Blade clearance between bottom edge of blade tips and lower edge of cutting deck must be 1/8 to 1/4.

### CUTTER BELT ADJUSTMENT

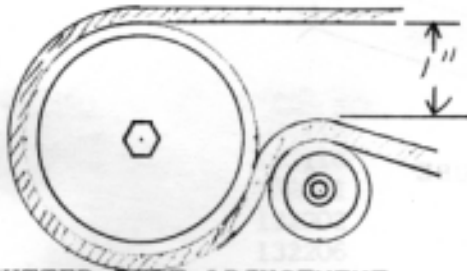
NEVER ATTEMPT TO CHECK BELT WHILE ENGINE IS RUNNING  
BEFORE ATTEMPTING TO CHECK BELT ALWAYS DISCONNECT SPARK PLUG WIRE AND GROUND AGAINST ENGINE TO PREVENT ACCIDENTAL STARTING.

1. Remove belt cover by removing 2 screws on each side of cover and lift off.
2. Place deck at lowest cutting height.
3. Engage blade (IN position.)
4. Observe distance between inside span of belts at the narrowest point. Span should measure 1" inch. (See illustration on page 9).

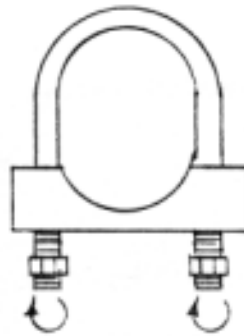
IF SPAN MEASUREMENT IS MORE OR LESS THAN DESIRED DISTANCE FOLLOW PROCEDURE AT TOP OF PAGE 9 TO ADJUST.



## CUTTER BELT CLEARANCE ADJUSTMENT



CUTTER BELT ADJUSTMENT



### TO ADJUST CUTTER BELT CLEARANCE:

1. Loosen main tube clamp (under seat spring). (SEE DIAGRAM AT ABOVE RIGHT)
2. Pull front assembly away to increase clearance or push in to decrease clearance on drive belt.
3. When desired clearance is achieved, retighten main tube clamp.
4. CHECK BRAKE CABLE ADJUSTMENT BELOW.

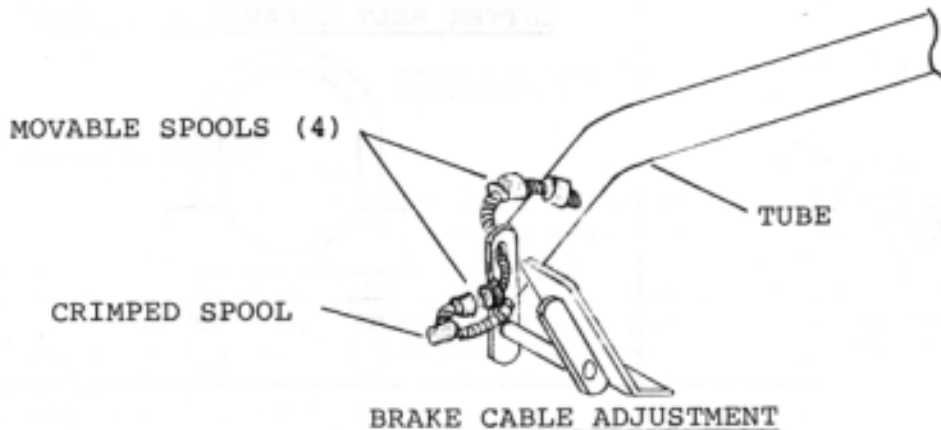
### INSTRUCTION FOR CHANGING BLADE CUTTER BELT

1. Remove rear belt guide . (ITEM 11,page 17).
2. Depress foot pedal to relieve tension on transaxle belt.
3. Slide short belt off engine pulley.
4. Slide long belt off engine pulley.
5. Remove belt cover on cutter housing by removing four screws.
6. Loosen belt guide and bolt (ITEM 34) on page 14. DO NOT REMOVE LOOSEN ONLY.
7. Place blade engaging lever in UP position.
8. Slide long belt off of hub pulley (ITEM 6, page 14).
9. Place new belt around hub pulley.
10. Tighten belt guides so that they will be 1/8" or 1/16" from pulley.
11. Install long belt around engine pulley.
12. Depress brake pedal and install transaxle belt on engine pulley.
13. Place blade engaging lever in IN position so blade belt will be tight.  
CHECK BELT ADJUSTMENT INSTRUCTIONS ON PAGES 9 and 10.
14. Replace belt guide (ITEM 11,page 16) Make sure belts do not rub.
15. With belts properly tightened, belt guide should be approx. 3/16" to 1/4" from edge of pulley.
16. Replace belt cover.

### BRAKE CABLE ADJUSTMENT

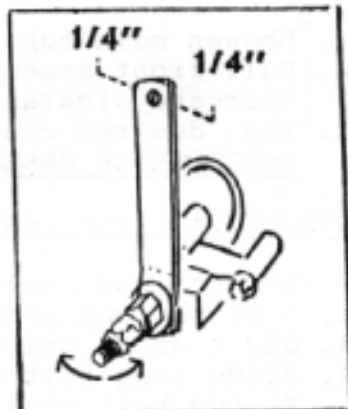
#### **IMPORTANT!!!**

Brake cable should be slightly relaxed but not slack.If adjusting belt clearance has made cable tight,adjust as follows.SEE DIAGRAM ON PAGE 10 Locate where the cable attaches to the lever at the front of the mower. The cable has one spool crimped in place and four spools that are movable . Adjust cable by adding or removing spools between the crimped spool and lever. Note: If spools have worked back into the support tube, it will be necessary to raise the rear of the mower and shake the cable until the spools appear in the opening of the tube. BRAKE SHOULD HAVE 1/2" OF CLUTCHING (FREE TRAVEL) BEFORE BRAKING ACTION BEGINS.



BRAKE LEVER ADJUSTMENT

1. Locate brake lever on outside of transmission.
2. Move lever back and forth toward front and rear of unit. Lever should move 1/4" toward front and 1/4" toward rear of unit. (See Fig at right) If lever is too loose or too tight, adjustment can be made by loosening or tightening nut at base of lever. THIS ADJUSTMENT SHOULD BE ROUTINELY NECESSARY.



NOTE: IF LEVER IS TOO LOOSE LITTLE OR NO BRAKING WILL OCCUR. IF LEVER IS TOO TIGHT BRAKE WILL GET HOT AND UNIT WILL NOT ROLL WHEN IT IS PUSHED BY HAND IN NEUTRAL.

SERVICE

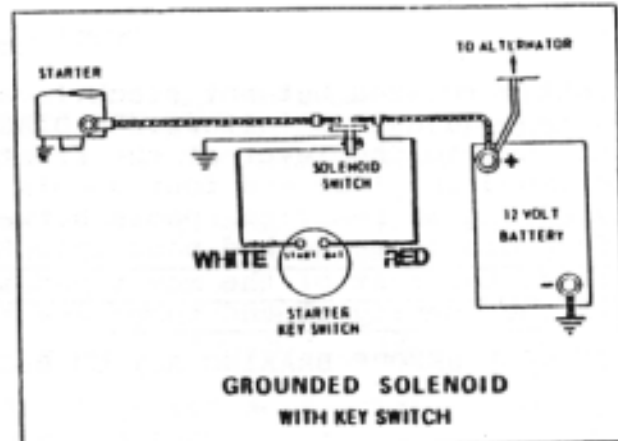
ENGINE: See engine manual for lubricating recommendations.

FRONT WHEELS: Lubricate one fitting on each front wheel with multi-purpose automotive grease once a season or after 25 hours of operation.

STEERING: Lubricate one fitting on bottom axle in center and two fittings (one on either side of front wheel spindles) with multi-purpose automotive grease once a season or after 25 hours of operation.

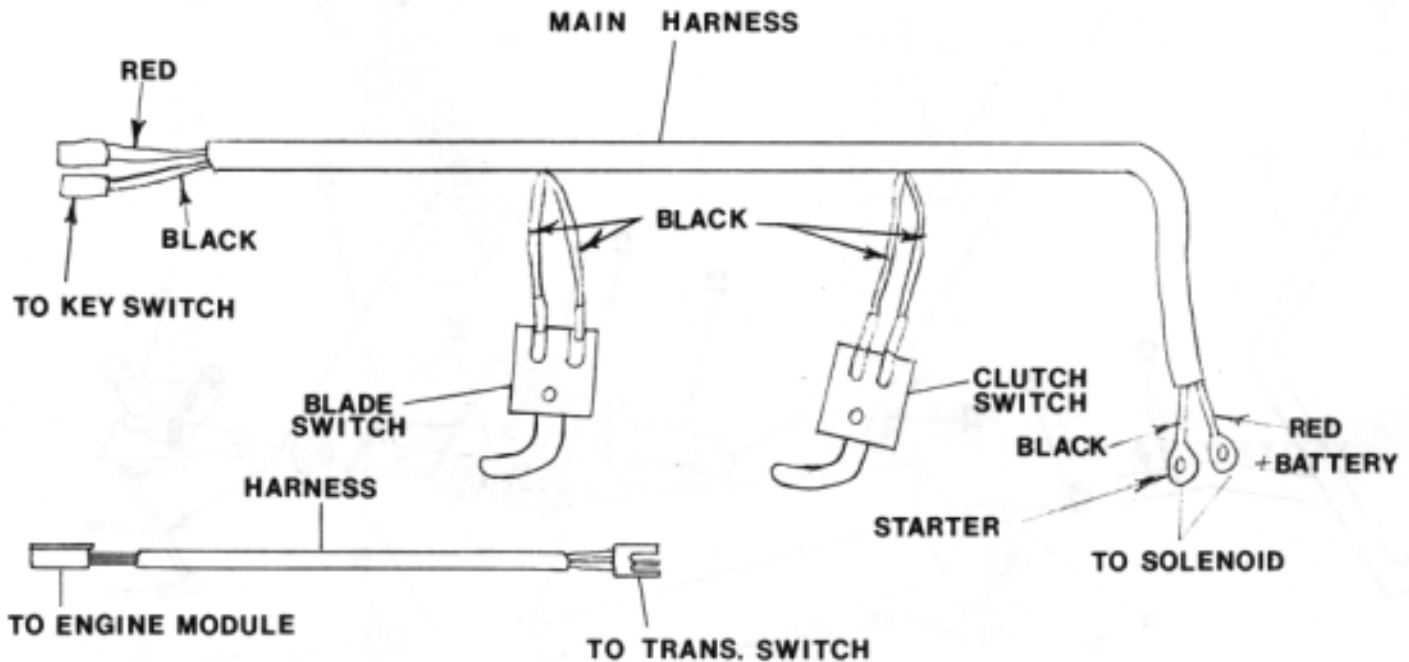
BATTERY: Always protect eyes, skin and clothing when working near batteries.  
On electric start models always remove the battery before standing on end.

**BASIC WIRING DIAGRAM**



PARTS LIST-ELECTRICAL ITEMS

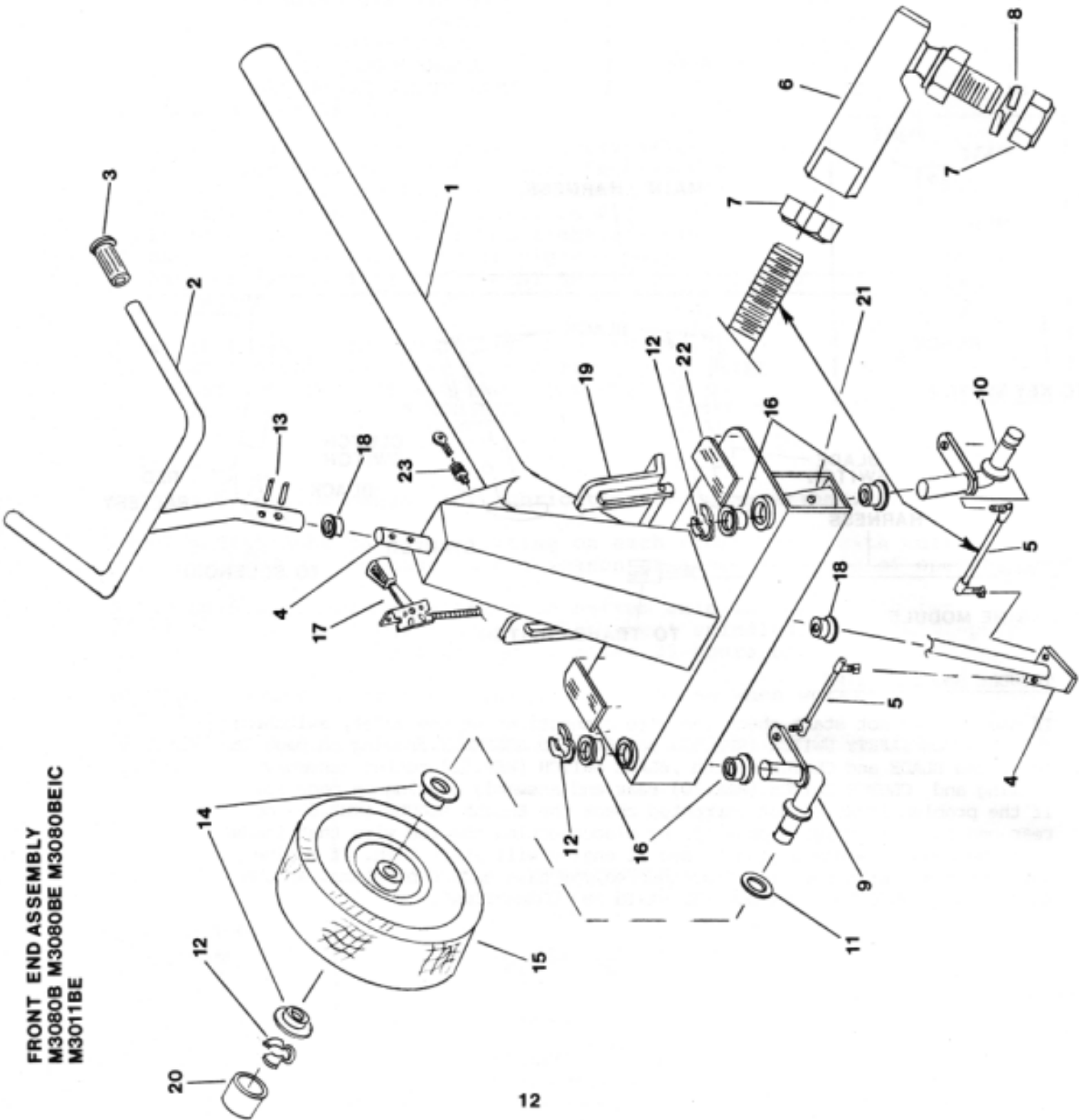
REF.NO.	PART NO.	QUANTITY	DESCRIPTION
1	132115	1	8HP B&S IC ELEC. ENGINE
2	132118	1	11HP B&S IC ELEC. ENGINE
3	132201	1	MAIN WIRING HARNESS
4	132202	3	12" STARTER CABLE
5	132206	2	SAFETY SWITCH, BLADE/CLUTCH
6	132208	1	SAFETY SWITCH WITH KEY
7	132209	1	SOLENOID
8	132210	1	12 VOLT BATTERY
9	132207	1	ENGINE MODULE
10	132214	1	WIRE HARNESS ENGINE/TRANS.



TROUBLE SHOOTING TIPS

If engine does not start, check the wire connections at the safety switches; TRANSMISSION SAFETY SWITCH (REF.59) on REAR END ASSEMBLY drawing on page 16 or at the BLADE and CLUTCH switch, BLADE SWITCH (REF.52) cutter assembly drawing and CLUTCH SWITCH (REF.10) rear end assembly drawing on page 16. If the problem is still not corrected, check the ENGINE MODULE (REF.58) on rear end assembly drawing page 16, by disconnecting the red wire that leads from the module to the engine to see if engine will start then. If engine does not start with the wire disconnected, you have engine problems. AN OHM METER CAN BE USED TO CHECK OUT THE PARTS AND CONNECTIONS.

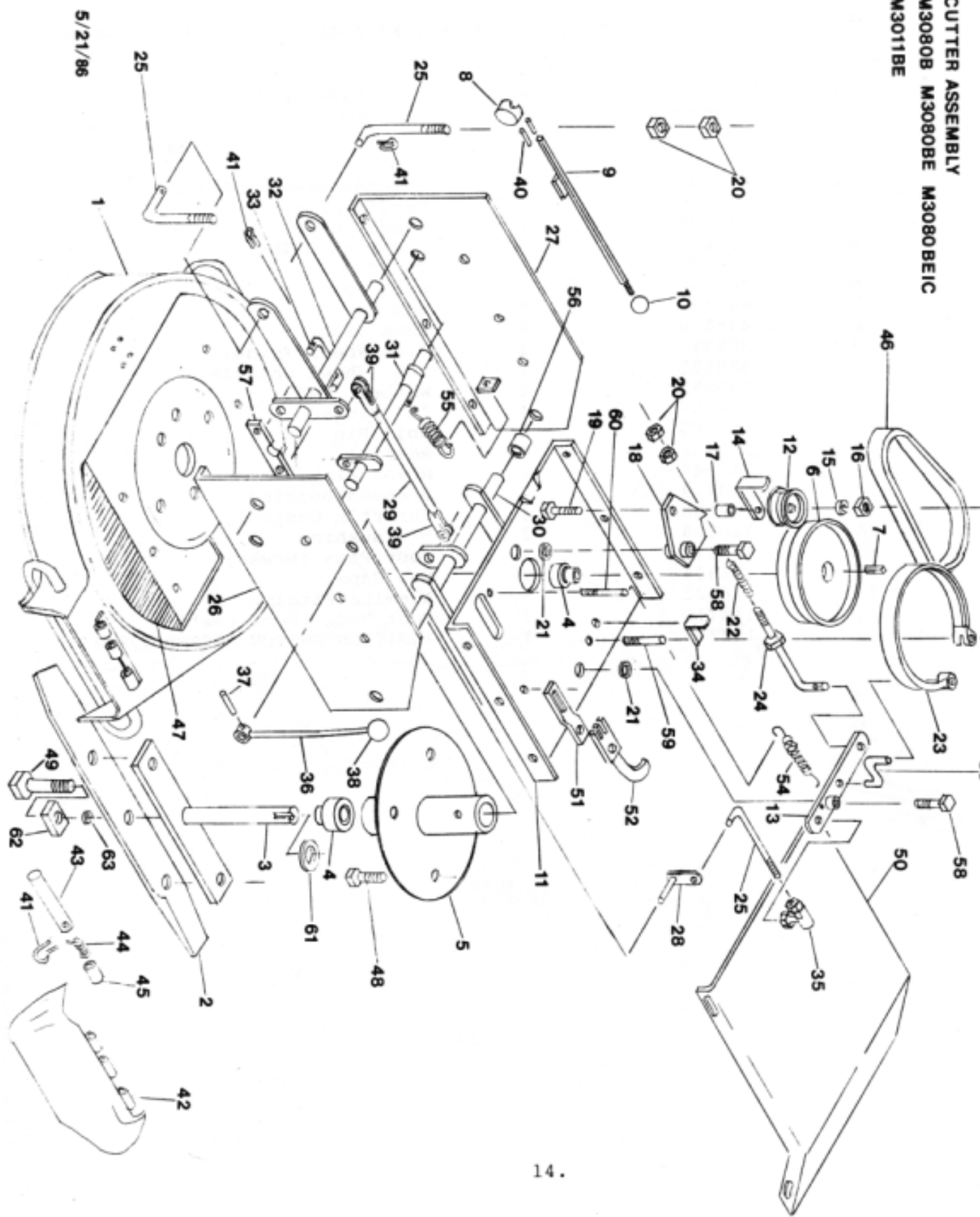
FRONT END ASSEMBLY  
M3080B M3080BE M3080BEIC  
M3011BE



## PARTS LIST - FRONT END ASSEMBLY M3080B . M3080BE M3011BE . M3080BEIC

<u>Ref. No.</u>	<u>Part No.</u>	<u>Quan.</u>	<u>Description</u>
1	132001	1	Unibody Assy. - Front
2	130624	1	Handle Assy.
3	313786	2	Handle Grip
4	130625	1	Steering Column
5	350372	2	Tie Rod
6	461464	4	Ball Joint
7	443100	8	Hex Nut
8	446136	4	Lock Washer
9	359352	1	R.H. Wheel Spindle
10	359353	1	L.H. Wheel Spindle
11	455051	2	Washer, SAE
12	446157	4	"E" Rings
13	461465	2	Roll Pin
14	140102	4	Bearing
15	162044	2	Wheel Assy.
16	140119	4	Pressed Bushing
17	162056	1	Throttle Control
18	140108	2	5/8 Bushing
19	145112	2	Foot Pads (Brake)
20	336824	2	Hub Caps
21	336822	3	Alemite Fitting
22	145110	2	Foot Pads (foot rest)
23	132208	1	IGNITION SWITCH ASSEMBLY/KEY

CUTTER ASSEMBLY  
M3080B M3080BE M3080BEIC  
M3011BE

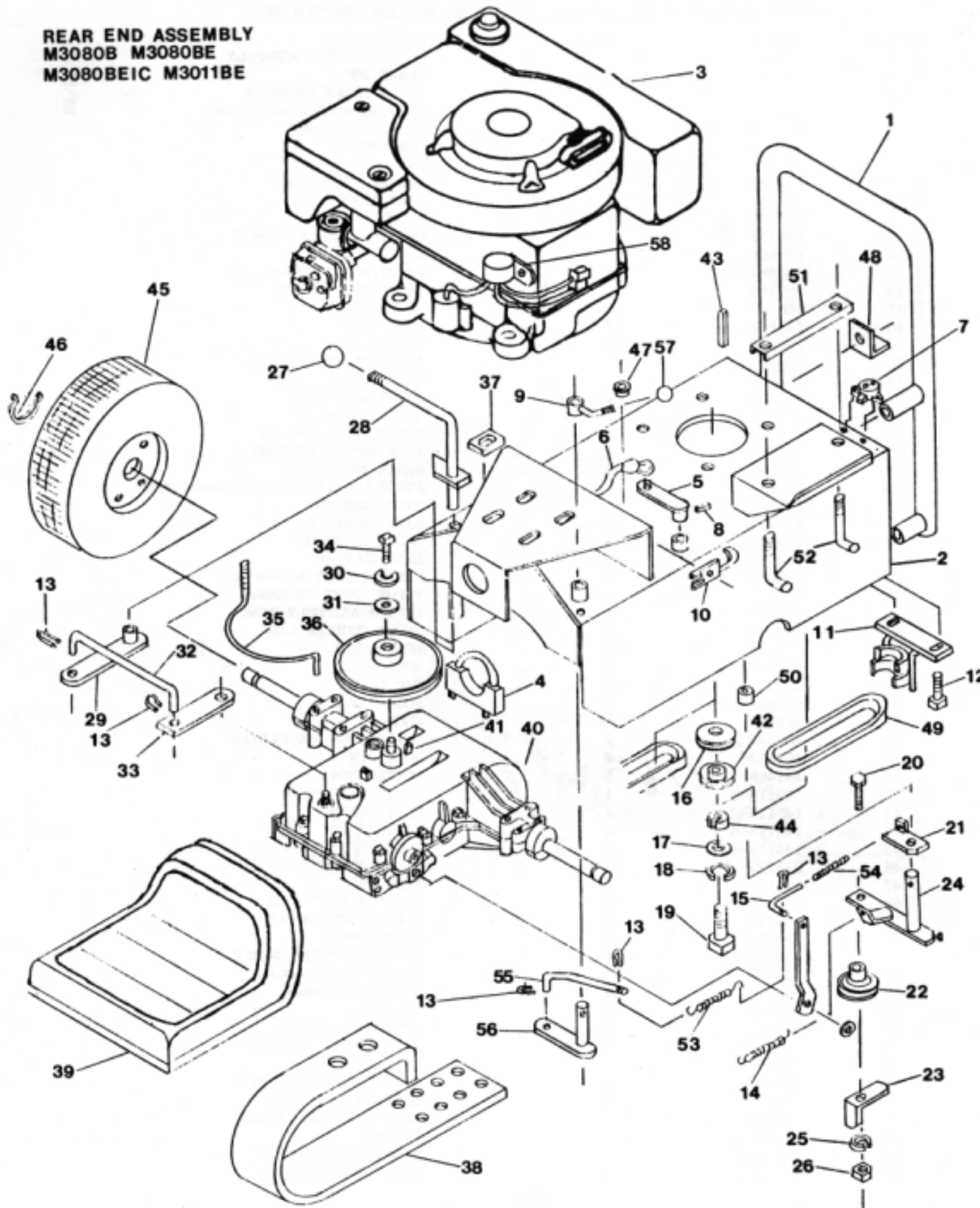


5/21/86

## PARTS LIST-CUTTER ASSEMBLY M3080B M3080BE M3080BEIC, M3011BE AND M3011BEIC

REF. NO.	PART NO.	QUANTITY	DESCRIPTION
1	145114	1	BLADE HOUSING ASSEMBLY
2	145107	1	BLADE 30"
3	131106	1	BLADE SHAFT ASSEMBLY
4	140105	2	BEARING W/LOCKING COLLAR
5	145120	1	BEARING HOUSING
6	336663	1	HUB PULLEY
7	463021	1	KEY
8	130630	1	SWIVEL LIFT LEVER
9	130631	1	LIFT LEVER
10	313788	1	KNOB
11	130737	1	CENTER PANEL ASSEMBLY
12	336661	1	IDLER
13	359385	1	PIVOT, BRAKE IDLER
14	359389	1	IDLER CLIP-FRONT
15	446142	1	LOCKWASHER
16	443110	1	HEX. NUT
17	359435	1	SPACER
18	359388	1	IDLER PLATE W/BRAKE
19	400265	1	3/8" BOLT
20	443106	7	5/16" HEX. NUT
21	455051	2	5/8" WASHER
22	359361	1	COMPRESSION SPRING
23	359413	1	1" x 16" BRAKE BAND
24	359386	1	BRAKE IDLER ROD
25	359387	1	PIVOT COUPLER ROD/DECK HANGER ROD
26	130738	1	SIDE PANEL RH.
27	130739	1	SIDE PANEL LH.
28	359390	1	B/C LINK, FRONT
29	130627	1	LIFT COUPLER
30	130628	1	LIFTER, FRONT ASSEMBLY
31	131108	1	INPUT SHAFT ASSEMBLY
32	130629	1	LIFTER ASSEMBLY, REAR
33	131109	1	INPUT COUPLER LINK
34	359371	1	BELT GUIDE
35	461464	1	BALL JOINT
36	359391	1	B/C LEVER
37	461465	1	ROLL PIN
38	313787	1	KNOB
39	463022	2	5/16" YOKE AND CLEVIS
40	461462	2	ROLL PIN
41	461468	5	COTTER PIN
42	145114-B	1	CHUTE EXTENSION
43	145114-C	1	CLEVIS PIN
44	145114-D	1	SPRING
45	145114-E	1	BUSHING
46	272217	1	BELT 74"
47	145111	2	FOOT PADS
48	400179	6	5/16" x 1/2" BOLT
49	400223	1	BOLT, CENTER BLADE
50	130732	1	BELT COVER
51	130737-D	1	BRACKET, SAFETY SWITCH
52	132206	1	SAFETY SWITCH, BLADE
53	359414	1	PIVOT ROD, BRAKE
54	359369	1	SPRING
55	359358	1	EXTENSION SPRING
56	130629-D	2	1" x 13/16" BUSHING
57	131109	1	COUPLER LINK
58	359344	2	1-1/4" SHOULDER BOLT
59	359438	1	3/8"-24 x 3" BOLT
60	359439	1	5/16"-24 x 4" SPRING
61	131107	1	SPACER
62	359450	1	WASHER-BLADE BOLT
63	446146	1	7/16" LOCKWASHER

**REAR END ASSEMBLY**  
**M3080B M3080BE**  
**M3080BEIC M3011BE**



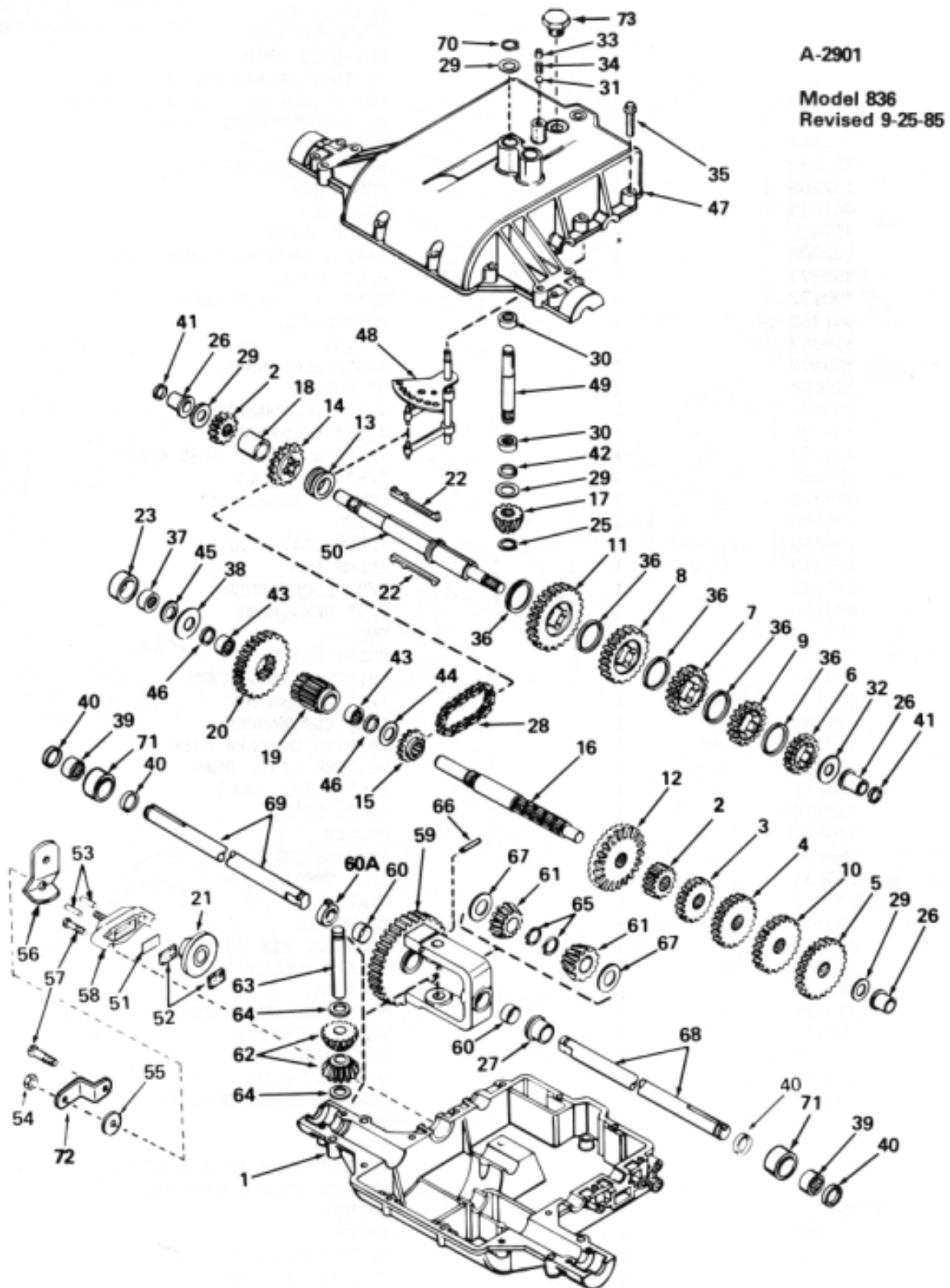


## PARTS LIST-REAR END ASSEMBLY MODELS M3080B AND M3080BE

<u>REF. NO.</u>	<u>PART. NO.</u>	<u>QUANTITY</u>	<u>DESCRIPTION</u>
1	162004	1	STAND-UP RACK
2	132002	1	UNI-BODY REAR
3	132107	1	ENGINE, 8HP B&S RECOIL START
	132108		ENGINE, 8HP B&S ELECTRIC START
4	359370	1	BELT ADJUSTMENT CLAMP
5	359392	1	B/C LINK-OUTER
6	359399	1	B/C LINK ASSEMBLY
7	132209	1	SOLENOID
8	461465	2	ROLL-PIN
9	359429	1	BRAKE LEVER
10	132206	1	SAFETY SWITCH, CLUTCH
11	359373	1	BELT GUIDE
12	400192	4	5/16" x 1-1/2" BOLT
13	461468	5	COTTER PIN
14	359367	1	SPRING
15	359403	1	IDLER ROD BRAKE
16	336658	1	4" PULLEY
17	455043	1	7/16" FLATWASHER
18	446146	1	7/16" LOCKWASHER
19	400223	1	7/16" x 1-1/2" NF-5 BOLT
20	400268	1	3/8" x 2" BOLT
21	359378	1	COUPLER BRAKE ARM
22	336660	1	IDLER
23	359380	1	IDLER-CLIP REAR
24	359379	1	IDLER ARM
25	446142	1	3/8" LOCKWASHER
26	443110	1	3/8" HEX. NUT
27	313788	1	KNOB
28	359393	1	SHIFT LEVER
29	359394	1	SHIFTER LINK, FRONT
30	446130	1	1/4" LOCKWASHER
31	455040	1	1/4" FLATWASHER
32	359395	1	SHIFTER COUPLER LINK
33	359396	1	SHIFTER LINK, REAR
34	400111	1	1/4" x 1/2" BOLT
35	359374	1	GUIDE BELT
36	336662	1	PULLEY
37	359434	1	REVERSE/STOP
38	130634	1	SEAT SPRING
39	130633	1	SEAT
40	130300	1	TRANSAXLE
41	463014	1	WOODRUFF KEY
42	336668	1	3-1/2" PULLEY
43	463021	1	1/4" KEY
44	359404	1	MOTOR PULLEY SPACER
45	162047	2	WHEEL ASSEMBLY
46	446156	2	RETAINING RING
47	359349	1	3/4" CAP PLUG
48	336808	1	TRAILER HITCH BRACKET
49	272216	1	BELT
50	359388-B	1	BUSHING
51	132211-C	1	BATTERY HOLD-DOWN BRACKET
52	132211-A	2	BATTERY HOLD-DOWN RODS
53	359327	1	SPRING
54	359368	1	SPRING
55	359433	1	PIVOT LINK, PARK BRAKE
56	359431	1	PARK BRAKE LINK ASSEMBLY
57	313787	1	KNOB
58	132207	1	ENGINE MODULE
59	132205	1	TRANSMISSION SWITCH
60	463022	2	3/16 " x 2-1/4" KEY

A-2901

Model 836  
Revised 9-25-85



TECUMSEH PRODUCTS COMPANY  
 Engine And Gear Service Division  
 Grafton, Wisconsin

Revised 9-25-85

PEERLESS TRANSAXLE MODEL 836

REF. NO.	PART NUMBER	PART NAME
1	770071A	Case, Transaxle
2	778136	Gear, Spur (15 teeth)
3	778126A	Gear, Spur (20 teeth)
4	778127A	Gear, Spur (25 teeth)
5	778129A	Gear, Spur (30 teeth)
6	778121A	Gear, Spur (20 teeth)
7	778123A	Gear, Spur (25 teeth)
8	778124A	Gear, Spur (30 teeth)
9	778122A	Gear, Spur (22 teeth)
10	778128A	Gear, Spur (28 teeth)
11	778125	Gear, Spur (37 teeth)
12	778137A	Gear, Bevel (42 teeth)
13	784266	Collar, Shift
14	786083	Sprocket (18 teeth)
15	786082	Sprocket (9 teeth)
16	776181	Shaft, Counter
17	778113A	Bevel Pinion, Input
18	786074	Spacer
19	778138	Pinion, Output
20	778139	Gear, Output
21	790003	Disk, Brake
22	792089A	Key
23	786075	Spacer
25	788040	Ring, Retaining
26	780105A	Bushing, Flanged
27	780118A	Bushing, Flanged
28	786081	Chain, Roller (No. 41 chain, 24 links)
29	780072	Washer, Thrust
30	780086	Bearing, Needle
31	792077	Ball, Steel
32	780109	Washer, Thrust
33	792078	Screw, Set, 3/8-16 x 3/8
34	792079	Spring
35	792073	Screw, Flanged hex hd. thread forming, 1/4-20 x 1-1/4
36	780108	Washer, Thrust
37	780111	Bearing, Needle
38	780113	Washer, Flat
39	780140	Bearing, Needle
40	788042	Seal, Oil
41	788051	Seal, Square cut
42	792001	"O" Ring
43	780112	Bearing, Needle
44	780114	Washer, Flat
45	788052	Seal, Square cut

REF. NO.	PART NUMBER	PART NAME
46	788053	Seal, Square cut
47	772077B	Cover, Transaxle
48	784290	Rod & Fork Assy., Shift
49	776208	Shaft, Input
50	776183A	Shaft, Brake
51	790007	Plate, Brake pad
52	790006	Pad, Brake
53	786026	Pin, Dowel
54	792075	Locknut, 5/16-24
55	792076	Washer, Flat
56	790035	Lever, Brake
57	792073	Screw, Flanged hex hd. thread forming, 1/4-20 x 1-1/4
58	790005	Holder, Brake pad
59	778053A	Gear Assy., Differential (Incl. 2 of No. 60)
60	780064	Bushing
60A	780120	Bushing
61	778067	Gear, Bevel
62	778068	Pinion, Bevel
63	786034	Pin, Drive
64	780065	Washer, Thrust
65	792018	Ring, Retaining
66	792040	Pin, Roll
67	780001	Washer, Thrust
68	774456	Axle (12-7/8" long)
69	774455	Axle (11" long)
70	792035	Ring, Retaining
71	786084	Sleeve
72	786086	Bracket, Brake lever
73	792074	Plug, Hex hd., 9/16-18 thread