

Disposing Of Internal Rechargeable Battery

1. Make sure speaker is in open/expanded position.
2. Locate the three retaining screws inside of the lower speaker casing and loosen each one with a small Phillips screw driver.
3. Remove the speaker baffle and circuit board to locate the battery on the bottom of the lower speaker casing.
4. Clip the lead to the battery then dispose of battery in accordance with your local regulations.

Maintenance

- Place the unit on a level surface away from sources of direct sunlight or excessive heat.
- Protect your furniture when placing your unit on a natural wood and lacquered finish. A cloth or other protective material should be placed between it and the furniture.
- Clean your unit with a soft cloth moistened only with mild soap and water. Stronger cleaning agents, such as Benzene, thinner or similar materials can damage the surface of the unit.



This product bears the selective sorting symbol for waste electrical and electronic equipment (WEEE).

This means that this product must be handled pursuant to European Directive 2002/96/EC in order to be recycled or dismantled to minimize its impact on the environment.

For further information, please contact your local or regional authorities.

Electronic products not included in the selective sorting process are potentially dangerous for the environment and human health due to the presence of hazardous substances.



A Consumer Guide to Product Safety

IMPORTANT SAFETY INSTRUCTIONS

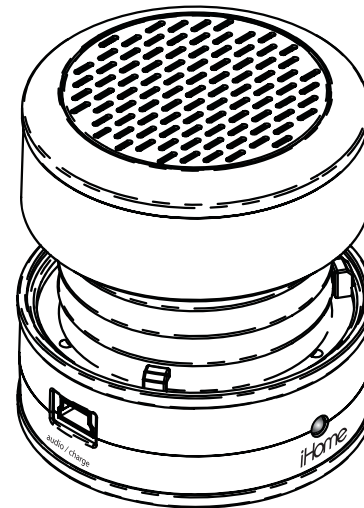
When used in the directed manner, this unit has been designed and manufactured to ensure your personal safety. However, improper use can result in potential electrical shock or fire hazards. Please read all safety and operating instructions carefully before installation and use, and keep these instructions handy for future reference. Take special note of all warnings listed in these instructions and on the unit.

1. **Water and Moisture** – The unit should not be used near water. For example: near a bathtub, washbowl, kitchen sink, laundry tub, swimming pool or in a wet basement.
2. **Ventilation** – The unit should be situated so that its location or position does not interfere with its proper ventilation. For example, it should not be situated on a bed, sofa, rug or similar surface that may block ventilation openings. Also, it should not be placed in a built-in installation, such as a bookcase or cabinet, which may impede the flow of air through the ventilation openings.
3. **Heat** – The unit should be situated away from heat sources such as radiators, heat registers, stoves or other appliances (including amplifiers) that produce heat.
4. **Power Sources** – The unit should be connected to a power supply only of the type described in the operating instructions or as marked on the appliance.
5. **Power-Cable Protection** – Power supply cables should be routed so that they are not likely to be walked on or pinched by items placed upon or against them. It is always best to have a clear area from where the cable exits the unit to where it is plugged into an AC socket.
6. **Cleaning** – The unit should be cleaned only as recommended. See the Maintenance section of this manual for cleaning instructions.
7. **Objects and Liquid Entry** – Care should be taken so that objects do not fall and liquids are not spilled into any openings or vents located on the product.
8. **Attachments** – Do not use attachments not recommended by the product manufacturer.
9. **Lightning and Power Surge Protection** – Unplug the unit from the wall socket and disconnect the antenna or cable system during a lightning storm or when it is left unattended and unused for long periods of time. This will prevent damage to the product due to lightning and power-line surges.
10. **Overloading** – Do not overload wall sockets, extension cords, or integral convenience receptacles as this can result in a risk of fire or electric shock.
11. **Damage Requiring Service** – The unit should be serviced by qualified service personnel when:
 - A. the power supply cable or plug has been damaged.
 - B. objects have fallen into or liquid has been spilled into the enclosure.
 - C. the unit has been exposed to rain.
 - D. the unit has been dropped or the enclosure damaged.
 - E. the unit exhibits a marked change in performance or does not operate normally.
12. **Periods of Nonuse** – If the unit is to be left unused for an extended period of time, such as a month or longer, the power cable should be unplugged from the unit to prevent damage or corrosion.
13. **Servicing** – The user should not attempt to service the unit beyond those methods described in the user's operating instructions. Service methods not covered in the operating instructions should be referred to qualified service personnel.

Questions? Visit www.ihomeintl.com

iHome

Model iHM60
Rechargeable
Mini Speaker



Questions? Visit www.ihomeintl.com

IMPORTANT

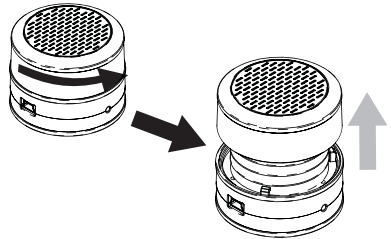
Read before proceeding

If you have any question regarding the operation or use of this product, please visit www.ihomeaudio.com to view answers to frequently asked questions.

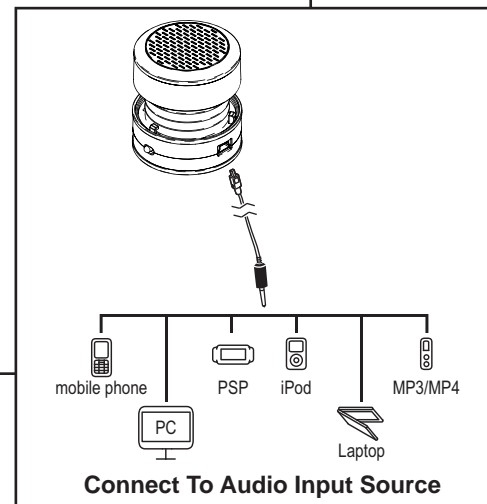
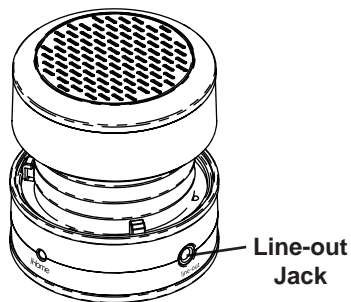
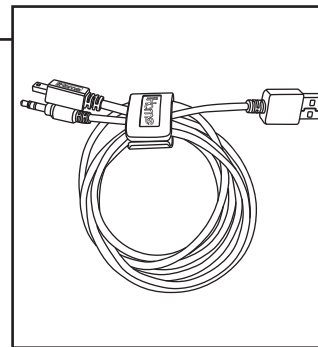
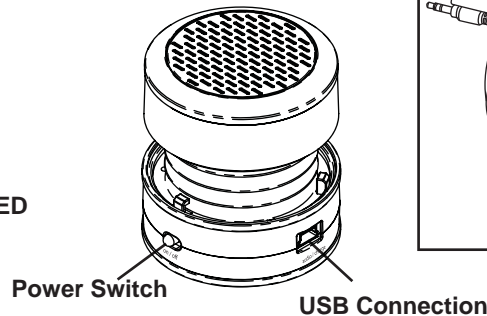
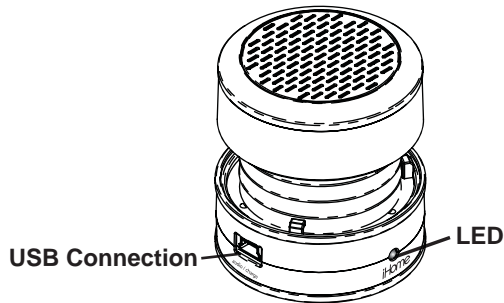
To learn more about this and other iHome products, please visit us online at www.ihomeaudio.com

For Models That Use Lithium Batteries:

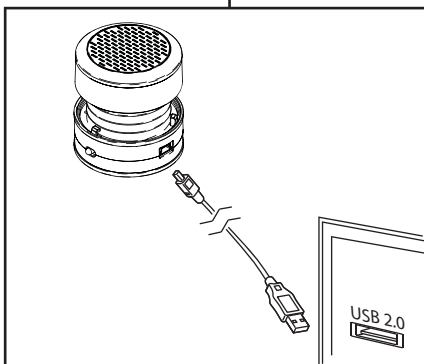
- Lithium batteries can explode or cause burns if disassembled, shorted, recharged, exposed to water, fire, or high temperatures & not handled appropriately
- Do not place loose batteries in a pocket, purse, or other container containing metal objects, do not mix with used or other battery types, or store with hazardous or combustible materials.
- Store in cool, dry, ventilated area.
- Follow applicable laws and regulations for transport and disposal.



Extend the Speaker



Connect To Audio Input Source



Charging the iHM60

Note: When not in use, turn speaker off to save battery power

Using the iHM60

To unlock and expand the speaker, grip the top and bottom and give a small twist counter-clockwise. DO NOT pull hard once open, as the built in spring will automatically extend the speaker to its proper position

Press speaker down from the top and twist clockwise to lock in place.

Connecting the iHM60

- Connect the mini-USB plug to the audio/charge input jack on the speaker.
- Connect the stereo 3.5mm audio plug to the headphone jack or line-out of any audio device.
- Slide the Power Switch of the speaker to the ON position. The blue power light will come on.
- Press play on your audio device and adjust its volume to listen to audio.
- If you wish to “daisychain” iHM60 speakers, connect the 3.5mm audio plug to the Line Out Jack on an iHM60 that is already connected to an audio source (see above) and the mini-USB plug to the audio input jack on another iHM60.

Note: the larger USB plug is used for charging only, not for audio. Please refer to next section for charging instructions.

Charging the iHM60

The iHM60 is powered by a rechargeable battery in the speaker. When the blue power light dims, or if you start to notice sound distortion at higher volumes, it's time to recharge the battery.

- Connect the larger USB plug to a powered USB port, such as that on a computer. The light on the speaker will turn to red while charging and turn blue when fully charged.

Note: you can continue to listen to the speaker while it is charging