

# LCD PROJECTOR LENS

MODEL NO. LNS-W04/LNS-W05/LNS-W06/LNS-W07

## LENS INSTALLATION AND REPLACEMENT PROCEDURES

---

### NOTES ON REPLACEMENT AND INSTALLATION

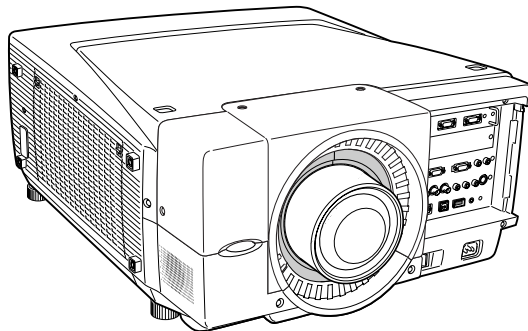
The procedures and the needed parts for lens installation depend on the type of cabinet. Before installing or replacing the lens, make sure the type of cabinet of your projector and install the lens following this procedure precisely.

When installing or replacing the lens, make sure the Lens Model No. matches with to your projector. Refer to the catalog, or contact your sales dealer for the proper Lens Model No.

### TYPE OF THE CABINET AND INSTALLATION PROCEDURES

This manual provides the following cabinet type models.

For lens installation to the other models than below, contact your sales dealer.



# NOTES ON LENS INSTALLATION

- Lens installation and replacement should be made by the qualified service personnel.
- Be sure to install the lens following this procedure precisely.
- Do not touch or remove any parts except the lens and related parts. It may result in malfunctions, electrical shock, fire hazard or other accidents.
- The lens cover is attached to the lens for protection. Be sure to remove the lens cover from the lens before installation.
- When installing or replacing the lens, be careful not to stain, scratch or damage its surface.
- When moving or setting up the projector, be sure to replace the Lens Cover to protect the surface. Be careful not to hold the lens. It may damage the lens, cabinet, or mechanical parts.

## LIST OF CONTENTS

Following parts are included in the package.

- LENS 1 pc
- DRIVER 1 pc



### BE SURE TO CHECK THE FOLLOWING MATTERS FOR SAFETY

---

After installing or replacing the lens, be sure to confirm the followings for safety.

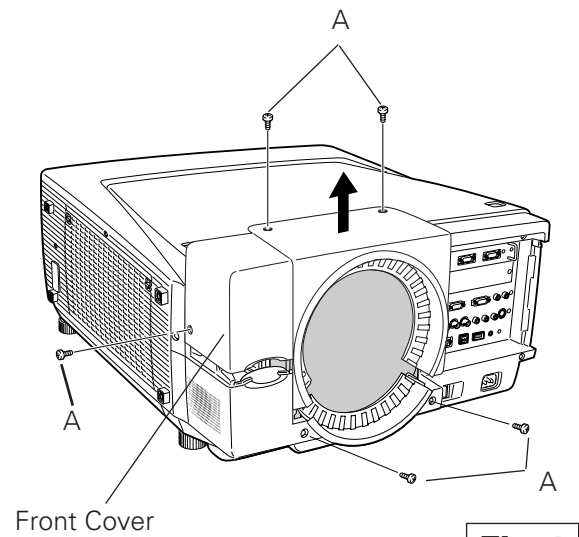
1. Make sure the lens attachment is fixed on the lens by 4 screws.
2. Make sure the lens is fixed on the projector by lens lock lever.
3. Make sure no part is missing, or loose.

Not all the parts included may be used for lens installation or replacement. Keep these parts for later use.

Note : Illustrations in this manual may differ from the actual product.

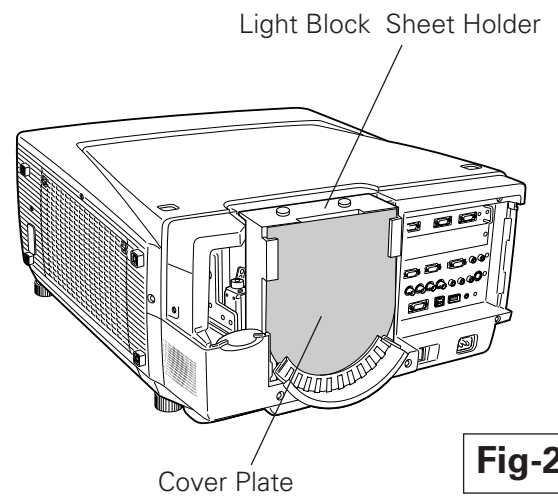
## LENS REPLACEMENT AND INSTALLATION PROCEDURE

- 1 Disconnect the power cord from AC outlet.  
Remove 5 screws (A) from the front cabinet.  
Pulling up the front cover and remove it. (See Fig-1.)



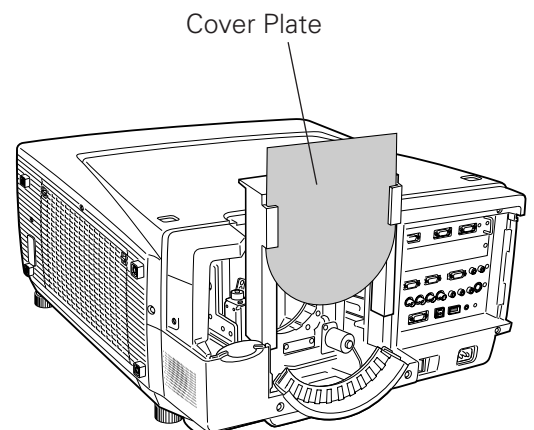
**Fig-1**

- 2 Pulling up Light Block Sheet Holder and Cover Plate, remove them. (See Fig-2)



**Fig-2**

- 3 Remove the cover plate from the light block sheet holder. (See Fig-3)

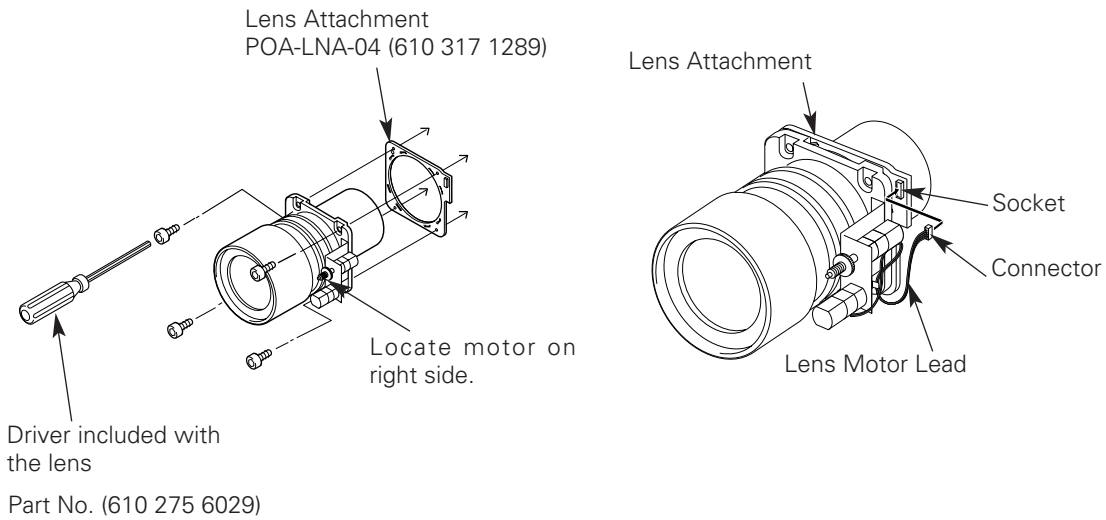


**Fig-3**

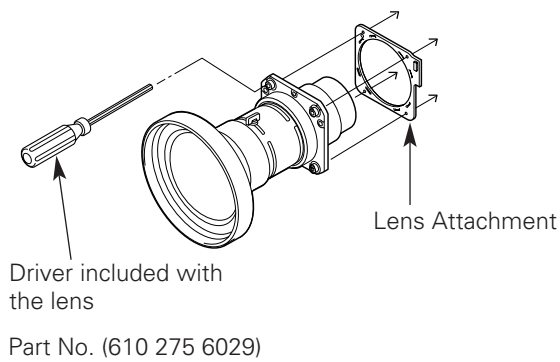
4

Remove lens cap on the rear (mounting side) of the projection lens and mount Lens Attachment to the lens with four screws included with the lens. Insert the connector at the end of Lens Motor Lead into the socket located at right-top of the lens attachment. (With motor model only.)

Note : Lens attachment is not included in this lens.



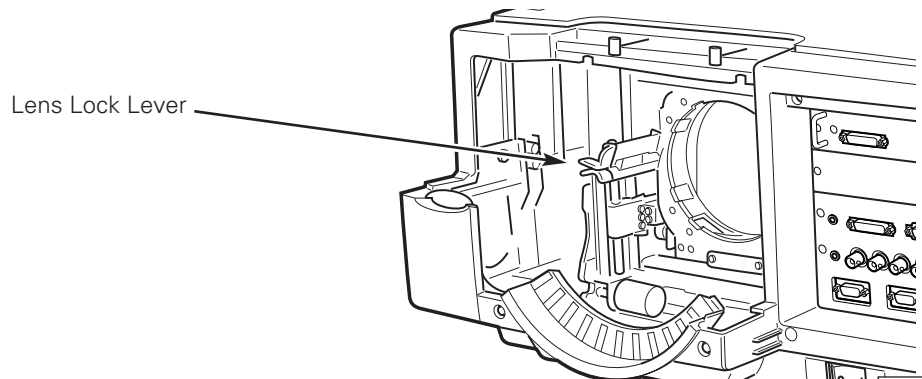
**Fig-4**



Note : Lens Illustrations in this manual may differ from the actual product.

5

Pinch Lens Lock Lever and turn it clockwise to unlock. (See Fig-5.) Insert the Lens through the lens mounting bracket and turn the lens lock lever anticlockwise until the lens is securely mounted. After installing the lens, make sure the Lens is not loose and properly mounted. (See Fig-6 and Fig-7 on next page.)



**Fig-5**

## Release Lens Lock (Clockwise)

Pinch the tab and turn the lever clockwise to unlock the lens.

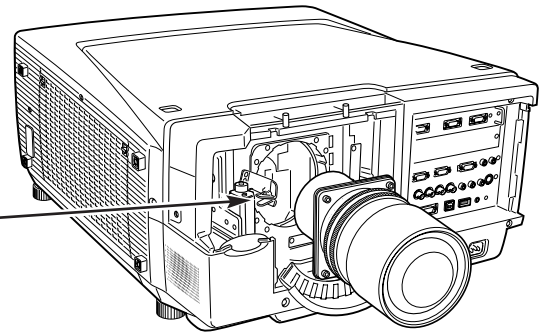
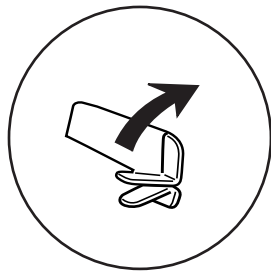


Fig-6

## Fix Lens Lock (Anticlockwise)

Pinch the tab and turn the lever anticlockwise to lock the lens.

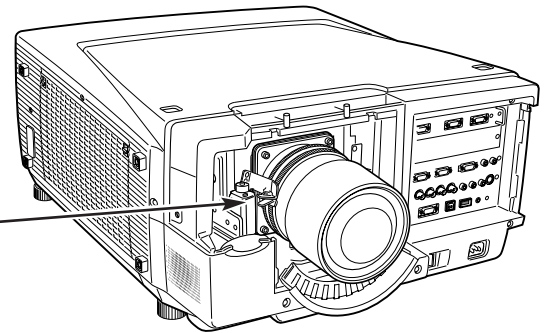
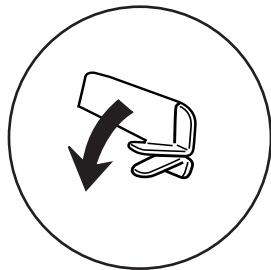


Fig-7



### CAUTION:

**Turn the Lens Lock Lever anticlockwise until the lens is locked. Make sure the lens is securely installed after installation.**

## FOCUS ADJUSTMENT (For Model LNS-W07)

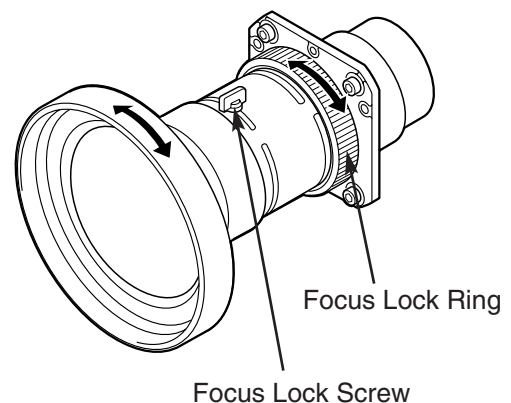
Set up the projector and project image on the screen.

1. Loosen the Focus Lock Screw on the projection lens.
2. Rotate the projection lens to obtain proper focus on center area of the screen.
3. Lock the Focus Lock Screw securely.

When proper focus is not observed at outer area of the screen, proceed following adjustments.

4. Loosen the Focus Lock Ring on the projection lens. (Turn the Lock Ring counter-clockwise.)
5. Rotate the lens to obtain proper focus on outer area of the screen.
6. Lock the Focus Lock Ring securely. (Turn the Lock Ring to clockwise.)

If proper focus is not observed over the entire screen, repeat above adjustments 1~ 6.



**6** Install Light Block Sheet and Light Block Sheet Holder corresponding to the lens into the projector. (See Fig-8 and Fig-9.) Appropriate light block sheet varies depending on the Lens Model No. Check Type No. on the light block sheet and Lens Model No. and use an appropriate one.

**Note:** Make sure the light block sheet is fully inserted into the light block sheet holder when installing the light block sheet and the sheet holder into the projector. Improper installation may cause the lens malfunction.

Light Block Sheet

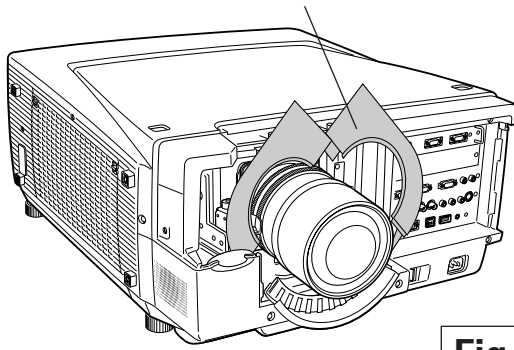
LNS-W04/LNS-W05/LNS-W06

LNS-W07

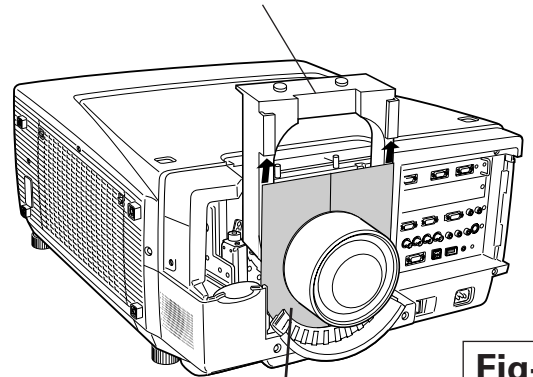
TYPE F14A (610 315 7337)

TYPE F14B (610 315 7320)

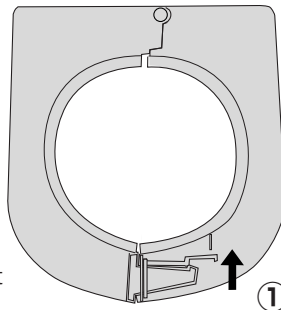
Light Block Sheet Holder



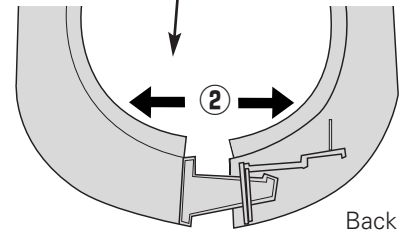
**Fig-8**



**Fig-9**



Back of Light Block Sheet

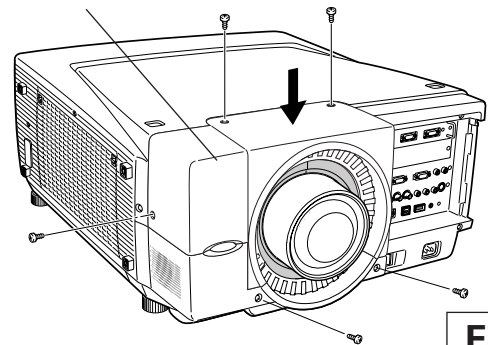


Back

To unfold, reverse the light block sheet and release the latch.

**7** Replace the front cover and secure it with the 5 screws.

Front Cover



**Fig-10**