

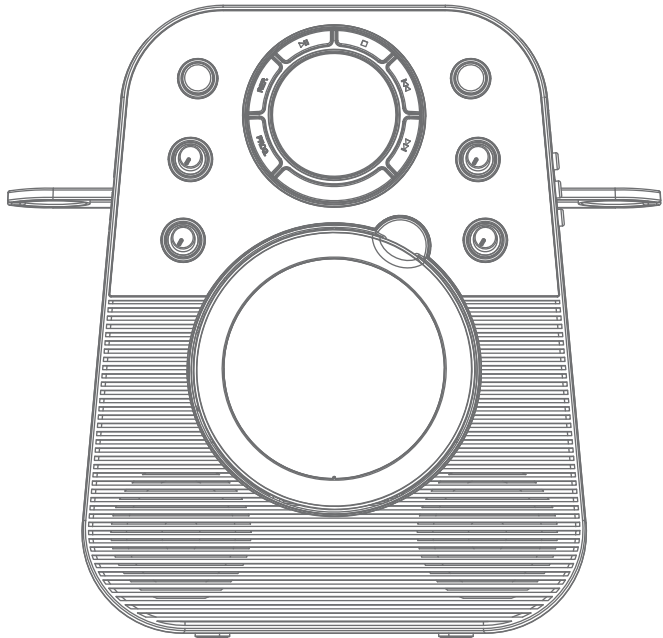


Instruction Manual

SMG303 (BK/P/BL)

Please read before using this unit.

Portable CD + Graphics Karaoke Center



The Singing Machine® is a registered trademark of The Singing Machine Co., Inc.

WARNINGS

WARNING: TO REDUCE THE RISK OF FIRE OR SHOCK HAZARD, DO NOT EXPOSE THIS PRODUCT TO RAIN OR MOISTURE.



CAUTION

RISK OF ELECTRIC SHOCK
DO NOT OPEN



CAUTION: TO PREVENT THE RISK OF ELECTRIC SHOCK, DO NOT REMOVE COVER OR BACK. NO USER-SERVICEABLE PARTS INSIDE. REFER SERVICING TO QUALIFIED PERSONNEL.



This symbol is intended to alert you to the presence of uninsulated dangerous voltage within the product's enclosure that might be of sufficient magnitude to constitute a risk of electric shock. Do not open the product's case.



This symbol is intended to inform you that important operating and maintenance instructions are included in the literature accompanying this product.

DRIPPING WARNING

The product shall not be exposed to dripping or splashing and that no objects filled with liquids, such as vases, shall be placed on the product.

VENTILATION WARNING

The normal ventilation of the product shall not be impeded for intended use.

Warning: Changes or modifications to this unit not expressly approved by the party responsible for compliance could void the user's authority to operate the equipment.

SAFETY CERTIFICATION

This device is made and tested to meet safety standards of the FCC, requirements and compliance with safety performance of the U.S. Department of Health and Human Services, and also with FDA Radiation Performance Standards 21 CFR Subchapter J.

Main plug is used as disconnect device and it should remain readily operable during intended use. In order to disconnect the apparatus from the mains completely, the main plug should be disconnected from the main socket outlet completely.

Warnings:

- This CD player employs a laser light beam. Only a qualified service person should remove the cover or attempt to service this device, due to possible eye injury.
- The use of controls, adjustments, or procedures other than those specified herein might result in hazardous radiation exposure.
- The apparatus shall be used in an open area.

CAUTION

This compact disc player is classified as a CLASS 1 LASER product. The CLASS 1 LASER PRODUCT label is located on the rear panel.



CAUTION!

Invisible laser radiation when open and interlocks defeated. Avoid exposure to beam.

FCC IMPORTANT

Since CD circuitry may cause interference to other radio tuners nearby, switch this unit off when not in use or move it away from the affected radio tuner.

This device complies with part 15 of the FCC rules, operation is subject to the following two conditions: (1) this device may not cause harmful interference, and (2) this device must accept any interference received, including interference that may cause undesired operation.

NOTE: This digital apparatus does not exceed the Class B limits for radio noise emissions from digital apparatus as set out in the Radio Interference Regulations of Industry Canada. These limits are designed to provide reasonable protection against harmful interference in a residential installation. This equipment generates, uses and can radiate radio frequency energy and, if not installed and used in accordance with the instructions, may cause harmful interference to radio communications. However, there is no guarantee that interference will not occur in a particular installation. If this equipment does cause harmful interference to radio or television (which can be determined by turning the equipment off), the user is encouraged to try to correct the interference by one or more of the following measure:

- Reorient or relocate the receiving antenna.
- Increase the separation between the equipment and receiver.
- Connect the equipment into an outlet on a circuit different from that to which the receiver is connected.
- Consult the dealer or an experienced radio / TV technician for help.

IMPORTANT SAFETY INSTRUCTIONS

1. Read these instructions.
 2. Keep these instructions.
 3. Heed all warnings.
 4. Follow all instructions.
 5. Do not use this apparatus near water.
 6. Clean only with dry cloth.
 7. Do not block any ventilation openings. Install in accordance with the manufacturer's instructions.
 8. Do not install near any heat sources such as radiators, heat registers, stoves, or other apparatus (including amplifiers) that produce heat.
 9. Do not defeat the safety purpose of the polarized or grounding-type plug. A polarized plug has two blades with one wider than the other. A grounding type plug has two blades and a third grounding prong. The wide blade or the third prong are provided for your safety. If the provided plug does not fit into your outlet, consult an electrician for replacement of the obsolete outlet.
 10. Protect the power cord from being walked on or pinched particularly at plugs, convenience receptacles, and the point where they exit from the apparatus.
 11. Only use attachments/accessories specified by the manufacturer.
 12. Use only with the cart, stand, tripod, bracket, or table specified by the manufacturer, or sold with the apparatus. When a cart is used, use caution when moving the cart/apparatus combination to avoid injury from tip-over.
 13. Unplug this apparatus during lightning storms or when unused for long periods of time.
 14. Refer all servicing to qualified service personnel.
- Servicing is required when the apparatus has been damaged in any way, such as power-supply cord or plug is damaged, liquid has been spilled or objects have fallen into the apparatus, the apparatus has been exposed to rain or moisture, does not operate normally, or has been dropped.



BATTERY PRECAUTIONS

The precautions below should be followed when using battery in the wireless microphone.

1. Use only the size and type of batteries specified.
2. Be sure to follow the correct polarity when installing the battery as indicated in the battery compartment. Reversed battery may cause damage to the device.
3. If the device is not to be used for a long period of time, remove the battery to prevent damage or injury from possible battery leakage.
4. Rechargeable battery is to be removed from the product before being charged.
5. Rechargeable battery is only to be charged under adult supervision.
6. Exhausted battery is to be removed from the product.

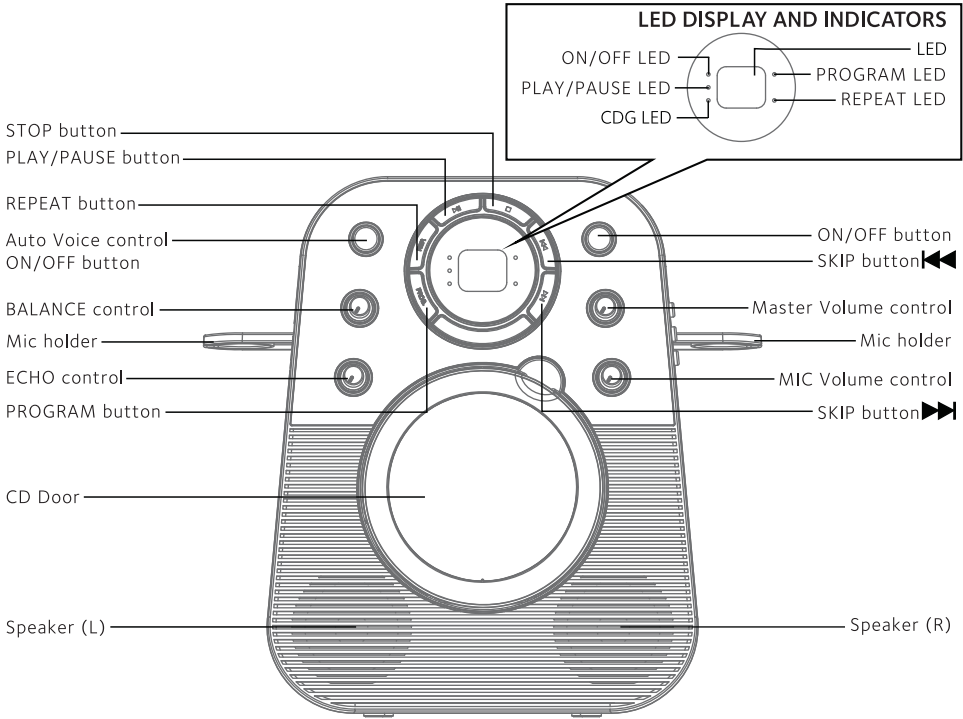
Class II equipment symbol



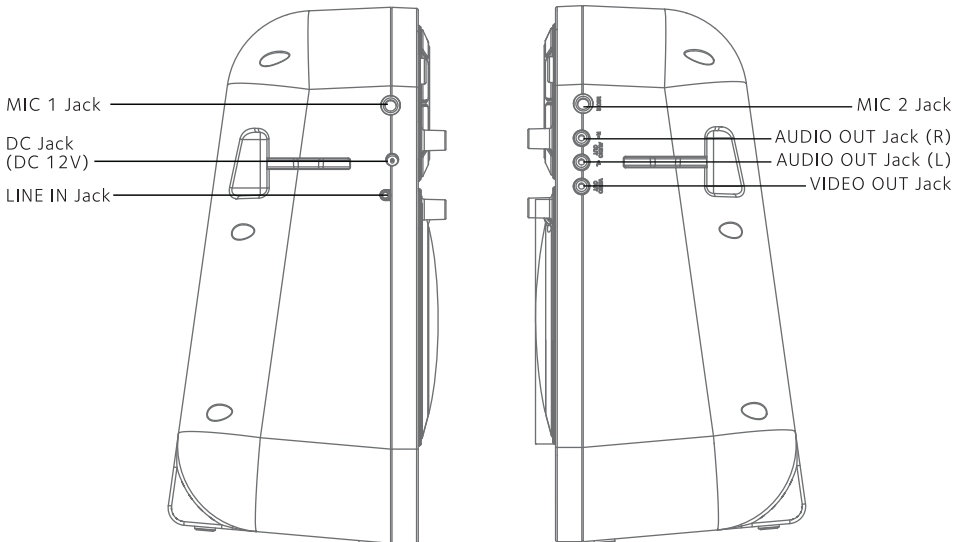
This symbol indicates that the unit has a double insulation system.

CONTROL LOCATIONS

FRONT VIEW

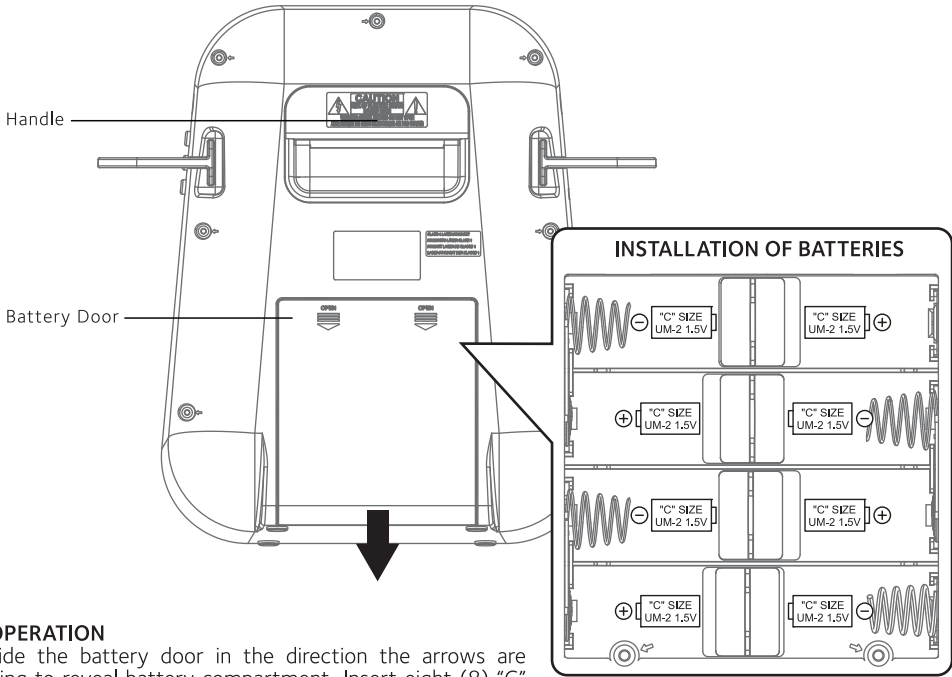


SIDE VIEW



CONTROL LOCATIONS

REAR VIEW



DC OPERATION

1. Slide the battery door in the direction the arrows are pointing to reveal battery compartment. Insert eight (8) "C" size alkaline batteries (not included) as indicated on the diagram.

2. Replace cover tightly before operating.

CAUTION:

- Replace all batteries at the same time.
- Do not mix old batteries with new batteries.

Battery Precautions

The precautions below should be followed when using batteries in this device:

1. Use only the size and type of batteries specified.
2. Be sure to follow the correct polarity when installing the batteries as indicated in the battery compartment. Reversed batteries may cause damage to the device.
3. Do not mix different types of batteries together (e.g. Alkaline and Carbon Zinc) or old batteries with fresh ones.
4. If the device is not to be used for a long period of time, remove the batteries to prevent damage or injury from possible battery leakage.
5. Do not try to recharge batteries not intended to be recharged, they can overheat and rupture (Follow battery manufacturer's directions).
6. Rechargeable batteries are to be removed from the product before being charged.
7. Rechargeable batteries are only to be charged under adult supervision.
8. Exhausted batteries are to be removed from the product.
9. Battery shall not be exposed to excessive heat such as sunshine, fire or the like.

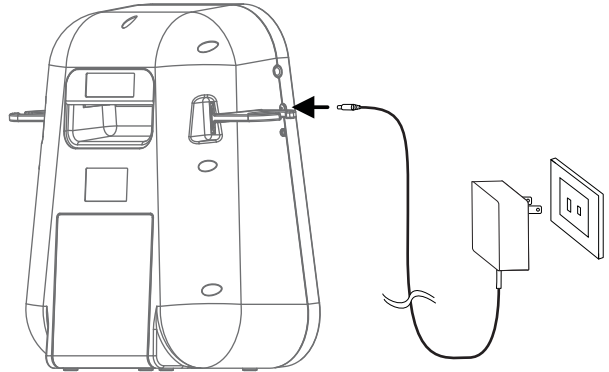
MAKING THE CONNECTIONS

CONNECTING POWER

Insert the DC plug of the power adapter into the DC 12V jack on the unit. You can power the system from a standard AC outlet by using the supplied Power Adapter (The adapter operates on AC 100V-240V/50Hz-60Hz \ominus \oplus).

CAUTION:

- The included AC adapter is for use with this unit only. Do not use it with other equipment.
- When the adapter is plugged in, the apparatus is not completely disconnected from the mains, even when the power is turned off.

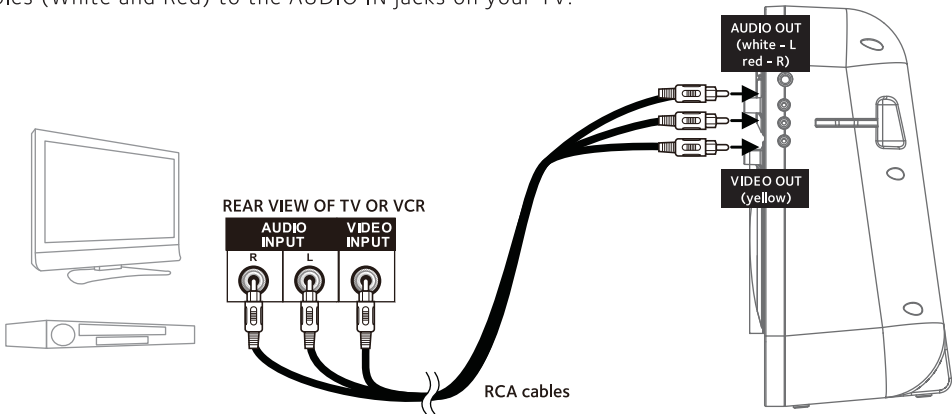


CONNECTING TO YOUR TV

Your Singing Machine is designed to connect to your TV the same way you would connect most video cameras, DVD players or video game consoles.

Please follow the steps below to display lyrics on the TV screen:

- (1) Locate the multi-colored RCA cables.
- (2) Connect the RCA video cable (Yellow) to the VIDEO OUT jack and the audio cables (White and Red) to the AUDIO OUT jacks located on the side of your Singing Machine.
- (3) Connect the opposite end of the RCA video cable (Yellow) to the VIDEO IN jack and the audio cables (White and Red) to the AUDIO IN jacks on your TV.



LINE IN CONNECTION

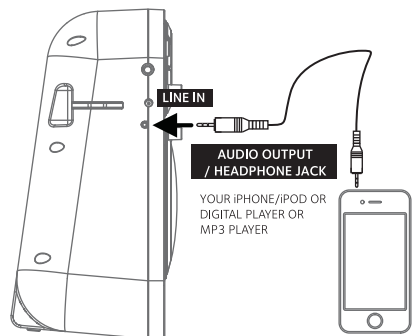
Your Singing Machine has the capability of playing your digital music device (e.g. iPod/MP3 player, etc.) by connecting it to the LINE IN jack on your Singing Machine and simply powering the device on.

You should have to connect your device by using an appropriate cable (ø3.5mm audio cable not included). LINE IN function can always be switched ON once the audio cable is plugged.

MASTER VOLUME

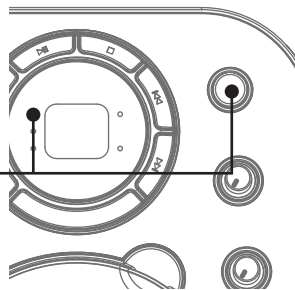
Rotate the MASTER VOLUME control to obtain the desired sound level.

Warning - To avoid excessive over amplified sound output, it is recommended that the volume control is initially adjusted to one third or less and then increased if required.



OPERATION

This unit is designed to play CD and CD+G discs bearing the identification logo respectively. If the disc does not conform to the standard, it may not play properly.



TURNING POWER ON/OFF

To turn on the unit, press the ON/OFF button, the ON/OFF LED indicator will light up.

To turn it off, press the ON/OFF button again, the ON/OFF LED indicator will turn off.

LOADING A DISC

Open the CD door, place a disc in the compartment and gently close the CD door. The LED on your Singing Machine will display the number of tracks recorded on your disc. In the event a CD is not placed in the compartment, the LED will display "--". When a CDG disc is placed into the CD compartment properly, the CDG indicator will illuminate.)

NOTE:

- Pressing the PLAY/PAUSE button repeatedly when playing a CD+G will cause a distorted image to display on your TV screen.
- Never place anything except a compact disc on the disc tray. Foreign objects can damage the unit.
- Only place one disc on the tray at a time.

PLAY/PAUSE

Adjust the MASTER VOLUME control on your unit to a comfortable level.

Press the PLAY/PAUSE button. The first track "1" will display on the LED of the unit and the PLAY/PAUSE LED will illuminate.

To temporarily stop playing, press the PLAY/PAUSE button. The PLAY/PAUSE LED indicator will flash.

To resume play, press this button again.

NOTE: Pressing pause repeatedly when a CDG is playing may cause distorted lyrics on your screen. Any distortion will remain on the screen until it is refreshed either during an instrumental break or when the song is stopped and/or when the song is started from the beginning.

STOP

If the STOP button is pressed in the course of playing, the disc will cease to play. (Total number of tracks will be shown on the LED window.)

MASTER VOLUME

Rotate the MASTER VOLUME control to obtain the desired sound level.

Note: The MIC volume must be adjusted simultaneously with the master volume level.

SKIP AND SEARCH

You can always skip forward or back to your desired track number by pressing the SKIP buttons. When playing any audio CD, press and hold the SKIP button. The CD will search at high speed in the forward or backward direction. Normal play will continue when you release the button.

OPERATION

REPEAT

To repeat the track currently playing, press the REPEAT button once. The REPEAT LED will flash. To repeat all tracks, press the REPEAT button twice. The REPEAT LED will light up and stay lit. Press the PLAY/PAUSE button to begin.

To clear the repeat function, press the REPEAT button again. REPEAT LED will turn off.

PROGRAM

Use the PROGRAM button to program and play songs in a pre-selected order.

1. Programming should be done in the STOP mode only. Press the PROGRAM button until the PROGRAM LED flashes. The track will read "0". Then press the SKIP buttons to select a desired track.

2. Press the PROGRAM button to confirm the entry. You can repeat the same steps up to a maximum of 20 tracks.

3. Press the PLAY button after you've completed programming and you are ready to start singing.

Press the STOP button twice to clear all the programmed entries.

KARAOKE FUNCTIONS

Sing along with the music by plugging in the provided microphone into either one of the microphone jacks on the unit.

WARNING: *Tapping or dropping the microphone can permanently damage your microphone. Resist the urge to swing the microphone around by the cord.*

MIC VOLUME

Adjust the MIC VOLUME control to a desired level to obtain the best performance.

WARNING: *To avoid microphone feedback, do not hold the microphone too close to the speakers.*

AUTO VOICE CONTROL (MULTIPLEX DISCS ONLY)

Allows you to replace the lead singers' voice with your own when playing a multiplex recording. The vocals on the multiplex recording will be muted when using the microphone. When the microphone is not in use, the pre-recorded vocals will resume on a multiplex disc. The Auto Voice Control can be activated by pressing the A.V.C. ON/OFF button.

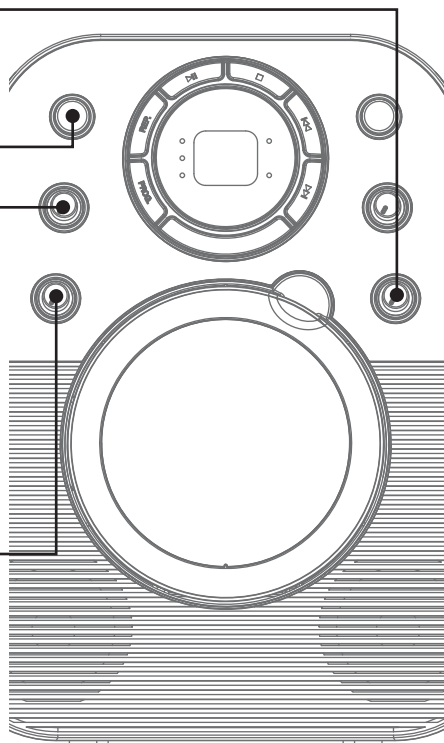
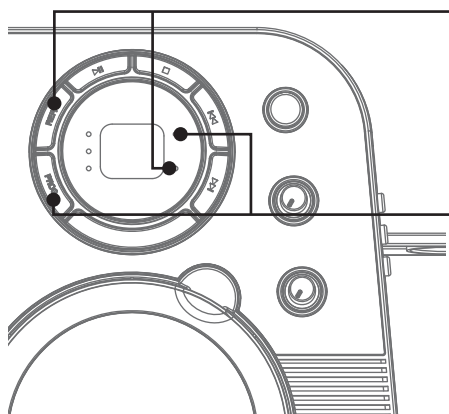
BALANCE

Allows you to eliminate the lead singers' voice by rotating the knob to the left when playing a multiplex recording or eliminate the music when rotating the knob to the right.

NOTE: *When playing an audio CD or music only recording, the balance knob will shift the recording to the right or left speaker.*

ECHO

Adjust the ECHO control to enhance the singers' voice for a concert hall effect.



TROUBLE SHOOTING GUIDE

If you have followed the instructions and are having difficulty operating the unit; locate the problem listed on the left hand column below and check the corresponding possible cause column to locate and remedy the problem.

PROBLEM	POSSIBLE CAUSE	SOLUTION
No power when ON/ OFF button is on.	No power plug connection at the AC outlet.	Insert the power plug into the wall outlet.
No power when plugged in.	The AC outlet may not have power.	Check the outlet with a working lamp or other electrical appliance.
	DC plug is not secure on the side of the unit.	Securely plug cord into the side of the unit.
	The power adapter is not working.	Test system with batteries.
No sound.	Volume control is set to minimum.	Turn up the volume.
	Audio cable has not been removed from the LINE IN jack.	Remove Audio cable from the LINE IN jack.
CD PLAYER does not work normally.	Disc is inserted upside down.	Insert disc correctly.
	Disc is dirty.	Wipe disc in a straight line from the center to the edge with a soft, lint free cloth.
	Disc is scratched.	Use a new disc.
	Disc is warped.	Use a new disc.
	Lens is dirty.	Wipe the lens inside the CD compartment with a clean dry cotton cloth or run a CD lens cleaner thru the CD compartment.
	Moisture has formed inside the CD deck.	Wait about 20 to 30 minutes to let it dry out.
	The Singing Machine needs to be reset.	Power the system OFF and disconnect the machine from electrical outlet for 30 seconds.
No sound - If audio is going through TV or home stereo.	Source Selection on your TV or home stereo is not set properly.	Select AUX IN as the source for your TV or home stereo.
	Improper Connection to stereo system or PA.	Follow direction on "MAKING THE CONNECTIONS".
	Volume control on TV or home stereo is set to minimum.	Turn up the volume on the TV or home stereo.

TROUBLE SHOOTING GUIDE

PROBLEM	POSSIBLE CAUSE	SOLUTION
Lyrics do not appear on the TV.	Video cable is not connected properly to the TV.	Follow direction on "MAKING THE CONNECTIONS".
	TV does not have video line input.	Connect from Video out of the Singing Machine to the Video in on your DVD player. Confirm you are playing a CD+G disc.
	Source has not been selected on your TV.	Use your TV Remote to select the corresponding VIDEO input.
	A CDG is loaded but the CDG indicator is not lit.	Check the disc to be sure it is clean.
No sound from mic.	Mic volume control.	Adjust mic volume to max, and then re-adjust to a comfortable level.
	MIC is OFF.	Switch Mic to the ON position.
	The MIC is not connected to the MIC jack securely.	Securely connect the MIC to the MIC jack.
	Master Volume is set to Minimum.	Adjust the Master Volume knob to comfortable level.
	Microphone is not positioned correctly.	Speak or sing into the top of the microphone; no more than 1" away from your mouth.
While playing a CDG and singing with the microphone, the music or vocals cut out.	AVC is activated.	Switch off AVC.
	You are playing a music only track.	Play track that includes music and vocal.
No sound or low volume from the microphone.	Echo is set to minimum.	Increase the echo level as needed.
While playing a CDG track with music and vocals, only music or vocals play.	Balance is set either to the left or right.	Adjust balance to middle.

SPECIFICATIONS

AUDIO SECTION: OUTPUT POWER (MAXIMUM) OUTPUT IMPEDANCE	1 WATT + 1 WATT (RMS) 8 OHMS
CD PLAYER SECTION: FREQUENCY RESPONSE SIGNAL-TO-NOISE RATIO NUMBERS OF PROGRAMS SAMPLING SYSTEM	100 Hz - 20 KHz 50 dB (A-WTD) 20 STEPS RANDOM ACCESS PROGRAMMING 8 TIMES OVER SAMPLING
LINE IN SECTION:	Ø3.5mm stereo headphone jack
MICROPHONE:	-73 dB 600 OHMS IMPEDANCE WITH ø 6.3mm DYNAMIC MICROPHONE
POWER SECTION:	DC 12V --- 1A ⊖ ⊕ (8 x "C" CELL) (batteries are not included)
DIMENSION (W X D X H):	9.8 x 6.3 x 12.2 inches / 24.8 x 16.0 x 31.1 cm
WEIGHT:	3.3 lbs / 1.5 kgs

Specifications are typical. Individual units might vary and are subject to continuous improvement without notice and/or incurring any obligation.



The Singing Machine Company, Inc.

303-1307-ENG01

4060 E Jurupa Street, Unit B
Ontario, CA 91761-1413 USA

PRINTED IN CHINA

VISIT OUR WEBSITE www.singingmachine.com