

FOR ORDERING INFORMATION REFER TO PARTS PRICE LIST

TOP AND CONSOLE PARTS

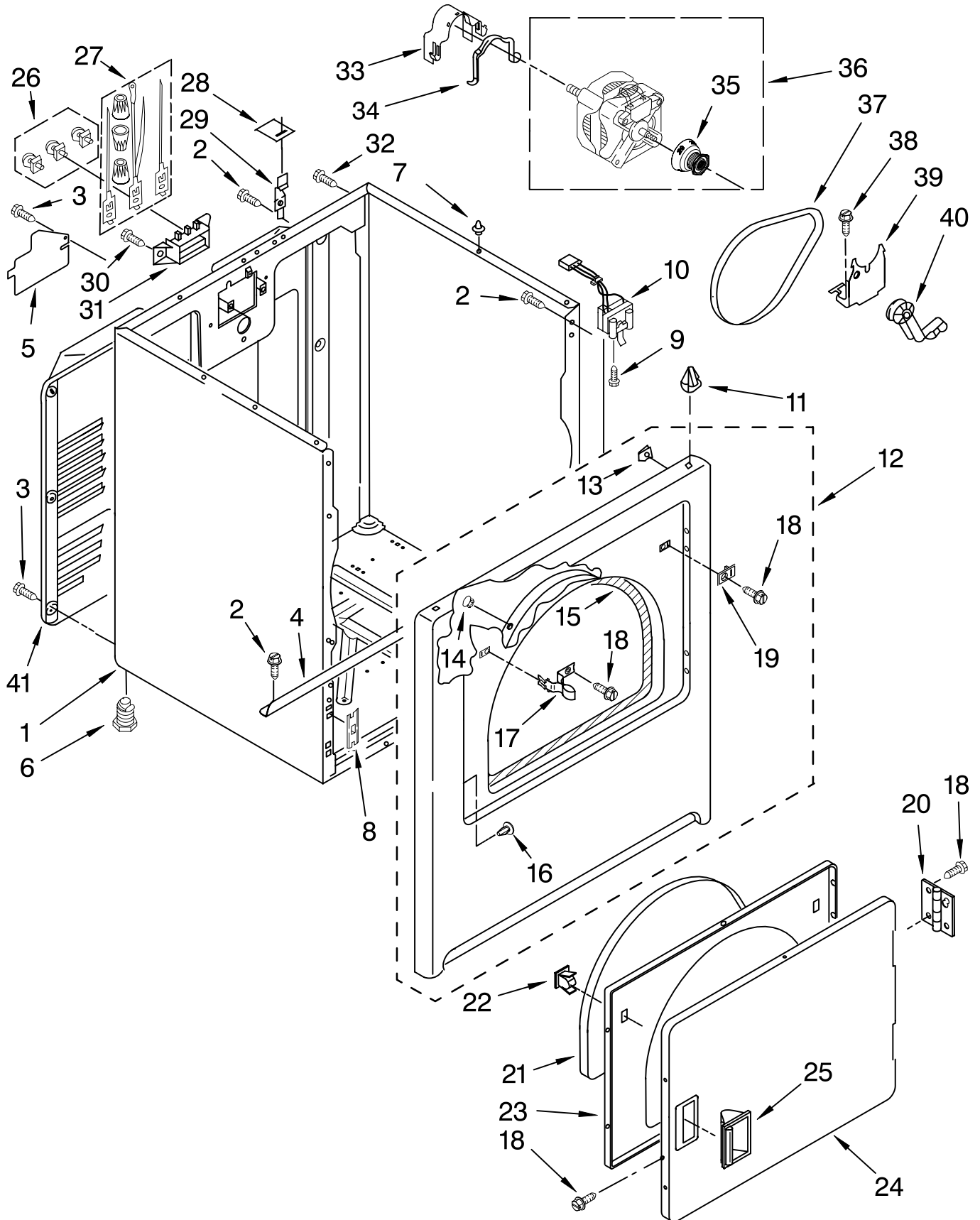
For Model: MED5700TQ1
(White)

<u>Illus.</u> <u>No.</u>	<u>Part</u> <u>No.</u>	<u>DESCRIPTION</u>
1		Literature Parts
	W10089171	Sheet,
		Cycle Feature
	W10088770	Use & Care Guide
	8578889	Wiring Diagram
2	W10112577	Panel, Rear
3	693995	Screw, 8-18 x 3/8
4	W10113080	Wire, Jumper
		Buzzer On/Off
5	8566184	Timer, 60 Hz.
6	3405156	Switch, Rotary
		Twist Mount
7	694419	Buzzer, Mini
8	8533971	Screw, 8-18 x 5/16
9	8578354	Switch,
		Temperature
10	W10117655	Switch,
		Push-To-Start
11	W10086710	Console & Shell
		Assembly (Includes
		Items 12 & 13)
12	8312709	Clip, Console
13	W10112569	Badge Assembly
14	8536939	Clip, Spring
15	W10110029	Knob, Control (3)
16	W10110030	Timer Knob
		Assembly
17	337686	Screw, 8-18 x 3/4
18	W10112578	Bracket, Harness
19	W10112603	Seal, Harness
20	237446	Washer (Top/Chute)
21	3391885	Connector, Edge
22	8558178	Control,
		Electronic
23	343641	Screw, 10-16 x 1/2
24	W10110993	Harness, Wiring
25	8565972	Screen, Lint
26	688983	Screw, 8-18 x 5/8
27	W10112599	Top
28	3395683	Connector (Motor)
29	3394427	Clip, Harness
30	3401144	Connector
		(PTS Relay)
31	3397269	Connector (Timer)
32	3347243	Connector,
		6-Circuit
33	94614	Terminal
34	3936144	Connector

FOR ORDERING INFORMATION REFER TO PARTS PRICE LIST

CABINET PARTS

For Model: MED5700TQ1
(White)



FOR ORDERING INFORMATION REFER TO PARTS PRICE LIST

CABINET PARTS

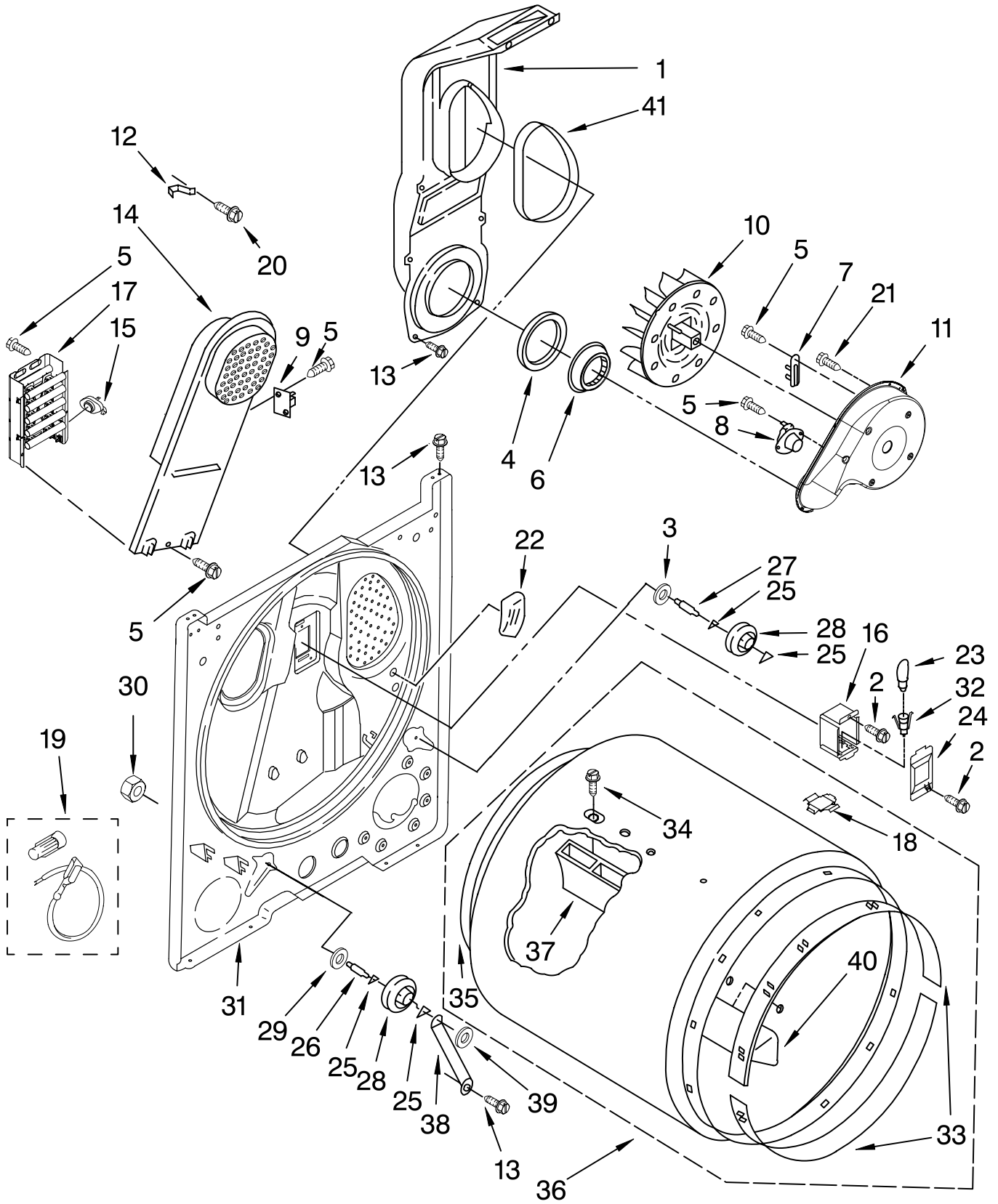
For Model: MED5700TQ1
(White)

Illus. No.	Part No.	DESCRIPTION	Illus. No.	Part No.	DESCRIPTION	Illus. No.	Part No.	DESCRIPTION
1	8530603	Cabinet (Includes Item 4)	13	98234	Clip, Ground	27	279318	Terminal, Tinned & Brass (3) (Includes Item 26)
2	343641	Screw, 10-16 x 1/2	14	685203	Clip, Felt Pad (3)	28	18849	Pad, Top Hinge (2)
3	693995	Screw, 8-18 x 3/8	15	3406129	Seal & Bearing Assembly	29	8066217	Hinge, Top (2)
4	8541400	Bracket, Cabinet	16	3404413	Plug, Hole	30	3393008	Screw, 10-16 x 1/2
5	3396795	Cover, Block	17	3403431	Strike, Door	31	3397659	Block, Terminal
6	3392100	Foot, Dryer	18	342055	Screw, 8-18 x 1/2	32	697776	Screw, 10-32 x 5/8
	279810	Foot-Optional Extended Length (Package of 2) (Not Included)	19	3403630	Plug, Strike	33	3404162	Clamp, Motor (W/Shield)
7	18776	Locator, Top	20	3405514	Hinge, Door	34	660658	Clamp, Motor
8	3394083	Clip, Front Panel (2)	21	3405246	Seal, Door	35	8066184	Pulley, 60 Hz.
9	697773	Screw, 6-20 x 7/8	22	3389441	Catch, Door Assembly	36	8066206	Motor Assembly 60 Hz.
10	3406107	Switch, Door	23	3402341	Door, Rear	37	W10131364	Belt, Drive
11	98669	Lock, Front Top (2)	24	3402335	Door, Front	38	3400500	Bolt, 5/16-18 x 3/4
12	3403444	Panel, Front	25	8565970	Handle, Door	39	348780	Base, Motor
			26	279393	Terminal Block Kit (For Terminal Block)	40	691366	Idler & Pulley Assembly
						41	3396805	Panel, Rear

FOR ORDERING INFORMATION REFER TO PARTS PRICE LIST

BULKHEAD PARTS

For Model: MED5700TQ1
(White)



FOR ORDERING INFORMATION REFER TO PARTS PRICE LIST

BULKHEAD PARTS

For Model: MED5700TQ1
(White)

Illus. No.	Part No.	DESCRIPTION
1	348368	Lint Chute Assembly
2	487909	Screw, 8-15 x 1/2
3	3388703	Washer-Support
4	347139	Seal, Lint Chute
5	90767	Screw, 8-18 x 3/8
6	696302	Shield, Exhaust
7	3392519	Fuse, Thermal (91 C)
8	8318268	Thermostat, Internal-Bias
9	3977393	Thermal Cut-Off (Includes Item 15)
10	694089	Wheel, Blower
11	8577230	Housing, Blower
12	3398161	Clip
13	343641	Screw, 10-16 x 1/2
14	8541818	Box, Heater
15	3977767	Thermostat, 221°F (105°C)
16	3977373	Bracket, Drum Light
17	3403585	Element, Heater
18	8066086	Drum Hole Plug
19	279457	Wire Kit, Terminal (For Heater Element Wiring Harness Repair)
20	489463	Screw, 8-18 x 5/8
21	3390647	Screw, 8-18 x 1/2
22	3976479	Pad, Sensor
23	3406124	Bulb
24	3402841	Lens, Drum Light
25	690997	Ring, Tri
26	3399506	Shaft, L.H.
27	3399507	Shaft, R.H.
28	3397590	Roller, Support
29	348197	Washer, Support
30	3359452	Nut, 3/8-16
31	3403414	Bulkhead
32	W10136369	Socket Assembly
33	692526	Ring, Bearing (2)
34	W10109200	Screw, 11-16 x 3/4
35	3406130	Seal, Rear Drum
36	695587	Drum Assembly
37	692490	Baffle, Drum (2)
38	3976434	Bracket, Support
39	90296	Clip
40	3403636	Baffle, Drum (1)
41	339956	Seal

FOR ORDERING INFORMATION REFER TO PARTS PRICE LIST

OPTIONAL PARTS (NOT INCLUDED)

For Model: MED5700TQ1
(White)

Illus.	Part	
No.	No.	DESCRIPTION

ACCESSORY PARTS

279948	Kit, Dryer Repair
3406839	Dry Rack
8522199	Kit, Dryer Vent Testing

PAINT, TOUCH-UP (1/2oz.)

72017	White
-------	-------

PAINT, PRESSURIZED SPRAY (12 oz.)

350930	White
350938	Primer, Gray

PAINT, BULK (1 qt.)

799344	White (Uncut)
--------	---------------

FOR ORDERING INFORMATION REFER TO PARTS PRICE LIST