

IXE10 Series Sarix™ EP Network Camera

1.3 MEGAPIXEL EXTENDED PLATFORM HIGH DEFINITION DIGITAL CAMERAS

Product Features

- Open IP Standards
- Up to 1.3 Megapixel Resolution (1280 x 1024)
- Up to 30 Images per Second (ips) at 1280 x 720
- Auto Back Focus
- H.264 and MJPEG Compression Capability
- Color and Day/Night Models
- Video Setup Jack
- Sensitivity Down to 0.03 Lux
- Power over Ethernet (IEEE 802.3af) or 24 VAC
- Up to 2 Simultaneous Video Streams
- Built-In Analytics
- Local Storage (Mini SD) for Alarm Capture
- Motion Detection
- Audio Accessory Available

The **IXE10 Series extended platform (EP) camera with Sarix™ technology** is a 1.3 megapixel (MPx) network camera designed with industry-leading image quality and high performance processing power. Designed to install quickly, the camera includes automatic back focus control, built-in analytics, and other advanced features needed for demanding security applications.

Sarix technology defines the next generation of video security imaging performance, delivering high definition (HD) resolution, advanced low-light capabilities, consistent color science, and fast processing power. The H.264 compression video files are up to 20 times smaller making high definition video more affordable.

Camera

The **IXE10 Series** has two 1.3 megapixel models: color and day/night. Both models feature advanced low-light technology capabilities. The day/night model has a mechanical IR cut filter for increased sensitivity in low-light installations.

The **IXE10 Series** can support two simultaneous video streams. The two streams can be compressed in MJPEG and H.264 formats across several resolution configurations. The extended platform gives real time video (30 ips) with HD resolution using H.264 compression for optimized bandwidth and storage efficiency. The streams can be configured to a variety of frame rates, bit rates, and GOP (group of pictures) structures for additional bandwidth administration.



Built-In Analytics

Pelco's Camera Sabotage behavior is a standard feature of the IXE10C and the IXE10DN. Camera Sabotage detects contrast changes in the field of view. An alarm is triggered if the lens is obstructed with spray paint, a cloth, or covered with a lens cap. Any unauthorized repositioning of the camera also triggers an alarm.

Web Interface

The **IXE10 Series** uses a standard Web browser for powerful remote setup and administration. Up to 16 cameras can be viewed on the same network.

Window Blanking

Window blanking is used to conceal user-defined privacy areas that cannot be viewed by an operator. The **IXE10 Series** supports up to four blanked windows. A blanked area will appear on the screen as a solid gray window.

Video Systemization

The **IXE10 Series** easily connects to Pelco IP and hybrid systems such as Endura® version 2.0 (or later) and Digital Sentry® version 4.2 (or later). The camera also features open architecture connectivity to third-party software. Pelco offers an application programming interface (API) for interfacing with Pelco's network cameras.



TECHNICAL SPECIFICATIONS

GENERAL

Imaging Device	1/3-inch (effective)
Imager Type	CMOS
Imager Readout	Progressive scan
Maximum Resolution	1280 x 1024
Signal-to-Noise Ratio	50 dB
Auto Iris Lens Type	DC drive
Electronic Shutter Range	1~1/100,000 sec
Wide Dynamic Range	60 dB
White Balance Range	2,000° to 10,000°K
Sensitivity	f/1.2; 2,850°K; SNR >24 dB
Color (33 ms)	0.50 lux
Color SENS (500 ms)	0.12 lux
Mono (33 ms)	0.25 lux
Mono SENS (500 ms)	0.03 lux
Weight (without lens)	1.14 lb (0.51 kg)
Shipping Weight	2.00 lb (0.90 kg)

ELECTRICAL

Port	RJ-45 connector for 100Base-TX Auto MDI/MDI-X
Cabling Type	Cat5 or better for 100Base-TX
Power Input	24 VAC ±10% or PoE (IEEE 802.3af class 3)
Power Consumption	<7 W
Current Consumption	
PoE	<200 mA maximum
24 VAC	<295 mA nominal; <390 mA maximum
Local Storage	Mini SD
Alarm Input	10 VDC maximum, 5 mA maximum
Alarm Output	0 to 15 VDC maximum, 75 mA maximum
Service Port	External 3-connector, 2.5 mm provides NTSC/PAL video output.

MECHANICAL

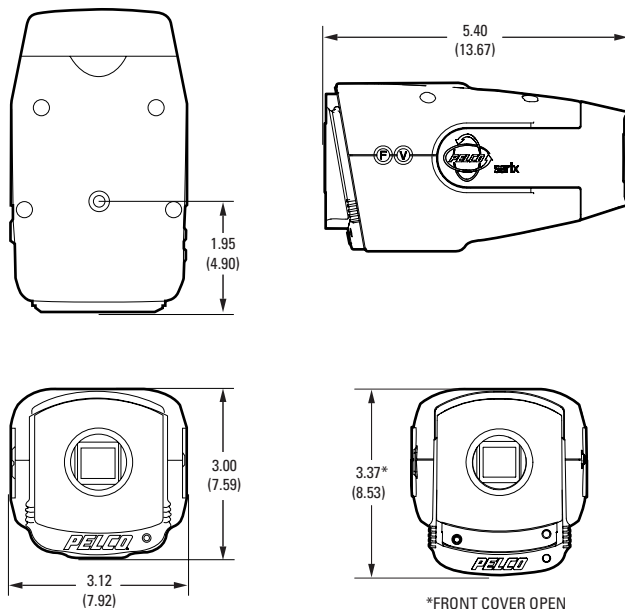
Lens Mount	CS mount, adjustable
Camera Mount	0.25-inch (0.64 cm) UNC-20 screw, top and bottom of camera housing

ENVIRONMENTAL

Operational Temperature	14° to 122°F (–10° to 50°C)
Storage Temperature	14° to 158°F (–10° to 70°C)
Storage Humidity	20% to 90%, noncondensing



FRONT VIEW, CAMERA ONLY
(OPENED TO EXPOSE SERVICE PORT)



NOTE: VALUES IN PARENTHESES ARE CENTIMETERS; ALL OTHERS ARE INCHES.



REAR VIEW

TECHNICAL SPECIFICATIONS

VIDEO

Video Encoding	H.264 high, main, or base profile and MJPEG
Video Streams	Up to 2 simultaneous streams; the second stream is variable based on the setup of the primary stream
Frame Rate	Up to 30, 25, 24, 15, 12.5, 10, 8, 7.5, 6, 5, 4, 3, 2.5, 2, 1 (dependent upon coding, resolution, and stream configuration)

Available Resolutions	Resolution				MJPEG		H.264 High Profile	
	MPx	Width	Height	Aspect Ratio	Maximum IPS	Recommended Bit Rate	Maximum IPS	Recommended Bit Rate
	1.3	1280	1024	5:4	20.0 ips	10.0 Mbps	20.0 ips	3.3 Mbps
	1.2	1280	960	4:3	20.0 ips	10.0 Mbps	20.0 ips	3.0 Mbps
	0.9	1280	720	16:9	30.0 ips	10.0 Mbps	30.0 ips	2.9 Mbps
	0.5	800	600	4:3	30.0 ips	7.7 Mbps	30.0 ips	2.0 Mbps
	0.3	640	480	4:3	30.0 ips	4.9 Mbps	30.0 ips	1.5 Mbps
	0.1	320	240	4:3	30.0 ips	1.2 Mbps	30.0 ips	0.5 Mbps

Additional Resolutions	640 x 512, 640 x 352, 480 x 368, 480 x 272, 320 x 256, and 320 x 176
Supported Protocols	TCP/IP, UDP/IP (Unicast, Multicast IGMP), UPnP, DNS, DHCP, RTP, RTSP, NTP, IPv4, SNMP, QoS, HTTP, HTTPS, LDAP (client), SSH, SSL, SMTP, FTP, mDNS (Bonjour), and 802.1x (EAP)

Users	
Unicast	Up to 20 simultaneous users depending on resolution settings (2 guaranteed streams)
Multicast	Unlimited users H.264
Security Access	Password protected
Software Interface	Web browser view and setup, up to 16 cameras
Pelco system Integration	Endura 2.0 (or later) Digital Sentry 4.2 (or later)
Open IP Integration	Pelco IP camera API
Minimum System Requirements	
Processor	Intel® Core®2 Duo microprocessor, 2.6 GHz
Operating System	Microsoft® Windows® XP, Windows Vista®, or Mac® OS X 10.4 (or later)
Memory	2 GB RAM
Network Interface Card	100 megabits (or greater)
Monitor	Minimum of 1024 x 768 resolution, 16- or 32-bit pixel color resolution
Web Browser*	Internet Explorer® 7.0 (or later) or Mozilla® Firefox® 3.0 (or later)
Media Player†	QuickTime® 7.6.5 for Windows XP, Windows Vista, or QuickTime 7.6.4 for Mac OS X 10.4

*Internet Explorer is not supported by Mac OS X 10.4.

†This product is not compatible with QuickTime version 7.6.4 for Windows XP or Windows Vista. If you have this version installed on your PC, you will need to upgrade to QuickTime version 7.6.5.

TECHNICAL SPECIFICATIONS

MODELS

IXE10C	Sarix 1.3 megapixel EP network color camera with Camera Sabotage
IXE10DN	Sarix 1.3 megapixel EP network day/night camera with Camera Sabotage

CERTIFICATIONS

- CE, Class B
- FCC, Class B
- UL/cUL Listed
- C-Tick

ACCESSORIES

IX-SC	4-foot Sarix service cable; compatible with standard BNC connectors
IA-A	Audio adapter compatible with a USB 2.0 A to 5-pin mini-B cable; supplied with two USB extension cables: 1 ft (0.3 m) and 3 ft (0.9 m)

RECOMMENDED MOUNTS

C10-UM	Universal camera mount
--------	------------------------

RECOMMENDED ENCLOSURES

EH1512	Indoor/outdoor enclosure
EH3512	Outdoor enclosure
DF8	8-inch fixed mount dome

RECOMMENDED LENSES

13M2.2-6	Megapixel lens, varifocal, 2.2–6.0 mm, f/1.3–2.0
13M2.8-8	Megapixel lens, varifocal, 2.8–8.0 mm, f/1.2–1.9
13M2.8-12	Megapixel lens, varifocal, 2.8–12.0 mm, f/1.4–2.7
13M15-50	Megapixel lens, varifocal, 15.0–50.0 mm, f/1.5–2.1

Pelco megapixel lenses have been designed and tested to deliver optimal image quality for the IXE10 Series camera. The use of standard definition lenses on IXE10 Series megapixel cameras will limit the resolution of the camera, creating poor image quality.

Field of View in Degrees		Aspect Ratio		
		16:9	4:3	5:4
2.2 mm	Horizontal	109	109	109
	Vertical	63	83	89
2.8 mm	Horizontal	89	89	89
	Vertical	48	66	70
6.0 mm	Horizontal	42	42	42
	Vertical	24	32	34
8.0 mm	Horizontal	32	32	32
	Vertical	18	24	25
12.0 mm	Horizontal	21	21	21
	Vertical	12	16	17
15.0 mm	Horizontal	16	16	16
	Vertical	9	12	13
50.0 mm	Horizontal	5	5	5
	Vertical	3	4	4

Note: For 800 x 600 (or lower) resolutions in 4:3 or 5:4 aspect ratios, the field of view is smaller than listed above. Refer to the Installation/Operation manual for details.

Pelco, Inc. Worldwide Headquarters:

3500 Pelco Way, Clovis, California 93612-5699 USA

USA & Canada Tel: (800) 289-9100 • FAX: (800) 289-9150

International Tel: +1 (559) 292-1981 • FAX: +1 (559) 348-1120

www.pelco.com

Pelco, the Pelco logo, Digital Sentry, and Endura are registered trademarks of Pelco, Inc. Sarix is a trademark of Pelco, Inc. All product names and services identified throughout this document are trademarks or registered trademarks of their respective companies. The absence of a trademark or registered trademark from this document does not constitute a waiver of intellectual property rights. Product specifications and availability subject to change without notice. ©Copyright 2010, Pelco, Inc. All rights reserved.