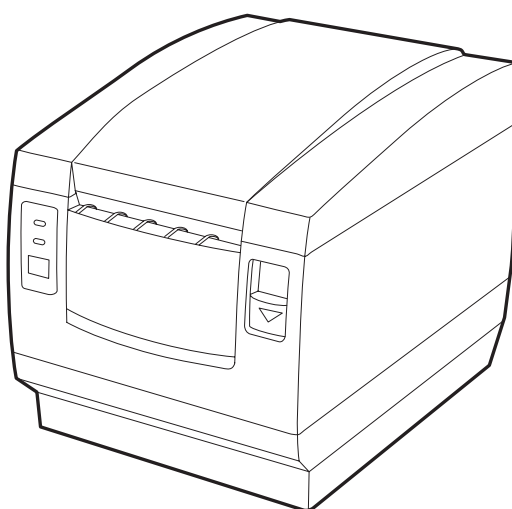


TEC

TEC Thermal Printer

TRST-56 SERIES

Owner's Manual



TOSHIBA TEC CORPORATION

CE Compliance (for EU only)

This product complies with the requirements of EMC and Low Voltage Directives including their amendments.

WARNING

This is a Class A product. In a domestic environment this product may cause radio interference in which case the user may be required to take adequate measures.

ATTENTION

Ce produit est de classe A. Dans un environnement domestique, il peut causer des interférences radio.
Auquel cas, l'utilisateur sera amené à prendre les mesures adéquates.

Warnung

Dies ist ein Klasse A Produkt. In einer örtlichen Umgebung kann dieses Gerät Funkstörungen verursachen.

Atención

Este es un producto de la clase A. En ambientes domésticos éste producto puede causar radio interferencias en cuyo caso el usuario deberá tomar las medidas oportunas.

VERWITTIGING

Dit is een klasse A produkt. Het gebruik hiervan kan radio interferenties veroorzaken die de gebruiker ertoe kunnen dwingen sommige maatregelen te moeten treffen.

Schallemission: unter 70dB(A) nach DIN 45635 (ISO7779)

FCC Notice

This equipment has been tested and found to comply with the limits for a Class A digital device, pursuant to Part 15 of the FCC Rules. These limits are designed to provide reasonable protection against harmful interference when the equipment is operated in a commercial environment. This equipment generates, uses, and can radiate radio frequency energy and, if not installed and used in accordance with the instruction manual, may cause harmful interference to radio communications. Operation of this equipment in a residential area is likely to cause harmful interference in which case the user will be required to correct the interference at this own expense.

Changes or modifications not expressly approved by manufacturer for compliance could void the user's authority to operate the equipment.

Safety Summary

Personal safety in handling or maintaining the equipment is extremely important. Warnings and Cautions necessary for safe handling are included in this manual. All warnings and cautions contained in this manual should be read and understood before handling or maintaining the equipment.

Do not attempt to effect repairs or modifications to this equipment. If a fault occurs that cannot be rectified using the procedures described in this manual, turn off the power, unplug the machine, then contact your authorised TOSHIBA TEC representative for assistance.

Meanings of Each Symbol



This symbol indicates warning items (including cautions). Specific warning contents are drawn inside the Δ symbol. (The symbol on the left indicates a general caution.)



This symbol indicates prohibited actions (prohibited items). Specific prohibited contents are drawn inside or near the $\text{\textcircled{O}}$ symbol. (The symbol on the left indicates “no disassembling”.)



This symbol indicates actions which must be performed. Specific instructions are drawn inside or near the \bullet symbol. (The symbol on the left indicates “disconnect the power cord plug from the outlet”.)



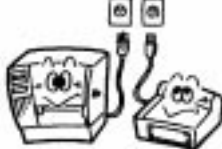
WARNING

This indicates that there is the risk of **death** or **serious injury** if the machines are improperly handled contrary to this indication.



Any other than the specified AC voltage is prohibited.

Do not use voltages other than the voltage (AC) specified on the rating plate, as this may cause **fire** or **electric shock**.



Prohibited

Do not plug in or unplug the power cord plug with wet hands as this may cause **electric shock**.



Prohibited

If the machines share the same outlet with any other electrical appliances which consume large amounts of power, the voltage will fluctuate widely each time these appliances operate. Be sure to provide an exclusive outlet for the machine as this may cause the machines to **malfunction**.



Prohibited

Do not place metal objects or water-filled containers such as flower vases, flower pots or mugs, etc. on top of the machines. If metal objects or spilled liquid enter the machines, this may cause **fire** or **electric shock**.



Prohibited

Do not insert or drop metal, flammable or other foreign objects into the machines through the ventilation slits, as this may cause **fire** or **electric shock**.



Prohibited

Do not scratch, damage or modify the power cords. Also, do not place heavy objects on, pull on, or excessively bend the cords, as this may cause **fire** or **electrical shock**.



Disconnect the plug.






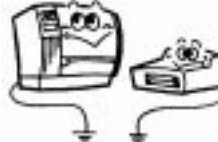


If the machines are dropped or their cabinets damaged, first turn off the power switches and disconnect the power cord plugs from the outlet, and then contact your authorised TOSHIBA TEC representative for assistance. Continued use of the machine in that condition may cause **fire** or **electric shock**.



Disconnect the plug.

Continued use of the machines in an abnormal condition such as when the machines are producing smoke or strange smells may cause **fire** or **electric shock**. In these cases, immediately turn off the power switches and disconnect the power cord plugs from the outlet. Then, contact your authorised TOSHIBA TEC representative for assistance.



 <p>Disconnect the plug.</p> 	<p>If foreign objects (metal fragments, water, liquids) enter the machines, first turn off the power switches and disconnect the power cord plugs from the outlet, and then contact your authorised TOSHIBA TEC representative for assistance. Continued use of the machine in that condition may cause fire or electric shock.</p>	 <p>Disconnect the plug.</p> 	<p>When unplugging the power cords, be sure to hold and pull on the plug portion. Pulling on the cord portion may cut or expose the internal wires and cause fire or electric shock.</p>
 <p>Connect a grounding wire.</p> 	<p>Ensure that the equipment is properly grounded. Extension cables should also be grounded. Fire or electric shock could occur on improperly grounded equipment.</p>	 <p>No disassembling.</p> 	<p>Do not remove covers, repair or modify the machine by yourself. You may be injured by high voltage, very hot parts or sharp edges inside the machine.</p>



CAUTION

This indicates that there is the risk of personal **Injury** or **damage** to objects if the machines are improperly handled contrary to this indication.

Precautions

The following precautions will help to ensure that this machine will continue to function correctly.

- Try to avoid locations that have the following adverse conditions:
 - * Temperatures out of the specification
 - * Shared power source
- * Direct sunlight
- * Excessive vibration
- * High humidity
- * Dust/Gas
- The cover should be cleaned by wiping with a dry cloth or a cloth slightly dampened with a mild detergent solution. NEVER USE THINNER OR ANY OTHER VOLATILE SOLVENT on the plastic covers.
- USE ONLY TOSHIBA TEC SPECIFIED paper and ribbons.
- DO NOT STORE the paper or ribbons where they might be exposed to direct sunlight, high temperatures, high humidity, dust, or gas.
- Ensure the printer is operated on a level surface.
- Any data stored in the memory of the printer could be lost during a printer fault.
- Try to avoid using this equipment on the same power supply as high voltage equipment or equipment likely to cause mains interference.
- Unplug the machine whenever you are working inside it or cleaning it.
- Keep your work environment static free.
- Do not place heavy objects on top of the machines, as these items may become unbalanced and fall causing **injury**.
- Do not block the ventilation slits of the machines, as this will cause heat to build up inside the machines and may cause **fire**.
- Do not lean against the machine. It may fall on you and could cause **injury**.
- Care must be taken not to injure yourself with the printer paper cutter.
- Unplug the machine when it is not used for a long period of time.

Request Regarding Maintenance

- Utilize our maintenance services.
After purchasing the machine, contact your authorised TOSHIBA TEC representative for assistance once a year to have the inside of the machine cleaned. Otherwise, dust will build up inside the machines and may cause a **fire** or a **malfunction**. Cleaning is particularly effective before humid rainy seasons.
- Our preventive maintenance service performs the periodic checks and other work required to maintain the quality and performance of the machines, preventing accidents beforehand.
For details, please consult your authorised TOSHIBA TEC representative for assistance.
- Using insecticides and other chemicals
Do not expose the machines to insecticides or other volatile solvents. This will cause the cabinet or other parts to deteriorate or cause the paint to peel.

TABLE OF CONTENTS

	Page
1. PRODUCT OVERVIEW -----	1- 1
1.1 Introduction-----	1- 1
1.2 Features-----	1- 1
1.3 Applicable Model -----	1- 1
1.4 Accessories -----	1- 2
2. SPECIFICATIONS-----	2- 1
2.1 Printer -----	2- 1
2.2 Receipt Roll -----	2- 2
3. APPEARANCE-----	3- 1
3.1 Front/Rear View-----	3- 1
3.2 Operation Panel-----	3- 1
3.3 Connectors -----	3- 2
4. SET UP PROCEDURE -----	4- 1
4.1 Requirements for Operation -----	4- 1
4.2 Setting up the Printer -----	4- 2
5. INSTALLATION PROCEDURE-----	5- 1
5.1 Connecting the Power Cord and Interface Cable-----	5- 1
5.2 Connecting the Drawer -----	5- 3
5.3 Loading the Receipt Roll -----	5- 3
5.4 Adjusting the Paper Near End Sensor Position -----	5- 4
5.5 Self Test Print -----	5- 5
6. GENERAL MAINTENANCE -----	6- 1
6.1 Cleaning -----	6- 1
6.1.1 Cleaning the Print Head and Platen -----	6- 1
6.1.2 Cleaning the Covers -----	6- 1
6.2 Removing Jammed Paper -----	6- 1
7. TROUBLESHOOTING -----	7- 1

CAUTION!

1. *This manual may not be copied in whole or in part without prior written permission of TOSHIBA TEC.*
2. *The contents of this manual may be changed without notification.*
3. *Please refer to your local Authorised Service representative with regard to any queries you may have in this manual.*

1. PRODUCT OVERVIEW

1.1 Introduction

Thank you for purchasing the TOSHIBA TEC TRST-56 Series Thermal Printer. This printer is a compact line thermal printer designed to be connected to a TOSHIBA TEC POS terminal or used as a kitchen printer, etc.

It prints an 80 mm-wide receipt at the maximum print speed of 150 mm/sec. The body colour is selectable between fair white (FW-2) and stylish grey (SG) so that it is possible to coordinate the colour with the TOSHIBA TEC POS terminal. The interface type is either Serial interface (RS-232C) or Parallel interface (Centronics) according to the model type.

This manual contains general set-up and maintenance information and should be read carefully to help gain the maximum performance and life from your printer. For most queries please refer to this manual and keep it safe for future reference.

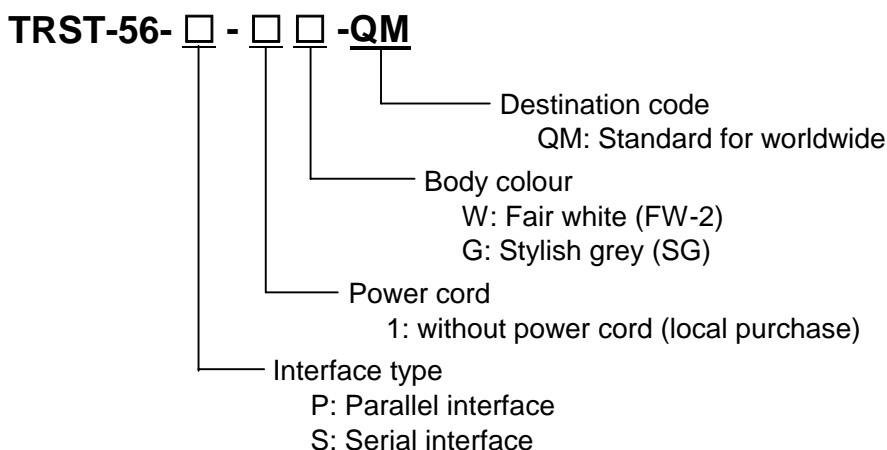
1.2 Features

- Due to a paper drop-in mechanism, the paper replacement can be done by just dropping a new paper roll and closing the cover. This also makes the print head cleaning easy.
- This printer prints in thermal direct method at high speed (max. 150 mm/sec.) with less noise.
- As the paper outlet is provided in front of the printer, the receipt can be taken out easily, and flexible installation is possible.
- Print layout can be variously arranged.
- The power supply unit (AC adapter) is detachable from the printer.
- A drawer interface (1 ch) is provided.
- An automatic cutter is provided as standard. (Partial cut)
- Two body colors are available for you to color coordinate with the TOSHIBA TEC POS terminal to be connected.
- User-defined characters and logos can be registered in the flash memory.

1.3 Applicable Model

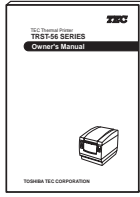
- TRST-56-P-1W-QM
- TRST-56-S-1W-QM
- TRST-56-P-1G-QM
- TRST-56-S-1G-QM

Model name description

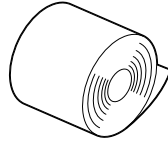


NOTE: Some combinations of the above specifications are not developed as products. For details, please refer to your nearest authorised TOSHIBA TEC representative.

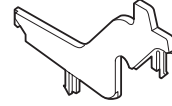
1.4 Accessories



Owner's Manual (1 copy)



Receipt Roll (1 pc.)



Partition (1 pc.)

NOTES:

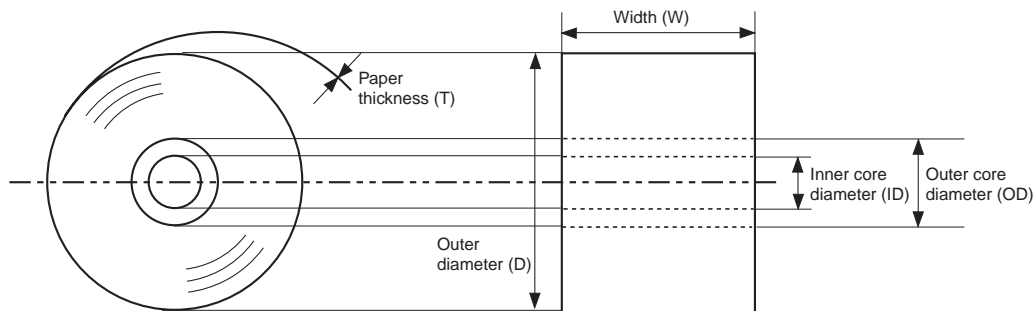
1. The partition is provided for a case of using a 58 mm-wide receipt roll only.
2. The enclosed receipt roll is provided for an operation test.

2. SPECIFICATIONS

2.1 Printer

Item	Description
Printing method	Line thermal dot printing method
Printing width	72 mm (576 dots)
Resolution	8x8 dots/mm (203 dpi)
Printing speed	Max. 150 mm/sec. (1,200 dot lines/sec.)
Printing columns	Font A (12 x 24 dots): 48/42 columns Font B (9 x 24 dots): 64/56 columns
Character size	Font A: 1.25 x 3.00 mm Font B: 0.88 x 3.00 mm
Character types	Alpha-numerals, International characters, Code pages PC850, PC852, PC857, PC860, PC863, PC865, PC866 and Windows code page
Logo registration and print	User defined characters and logos are registerable in the flash memory.
Line spacing	4.23 mm (1/6 inch): selectable using the commands
Printable bar codes	UPC-A/E, EAN 13/8, ITF, CODE39, CODE128, CODABAR, CODE93
Cut method	Partial cut
Paper	Thermal paper roll: 80 mm x Ø83
Interface	Serial (RS-232C) or Parallel (Centronics)
Input buffer	4K bytes/72 bytes
Supply voltage	AC 100 - 240V ±10%, 50/60Hz
Power consumption	1 – 0.55A
AC adapter specification	Rated input: AC 100 - 240V, 50/60Hz, 1 - 0.55A Rated output: DC 24V, 1.9A
Body colour	Fair white (FW2) or Stylish grey (SG)
Operating temperature	0°C to 40°C (Operation is guaranteed.) 5°C to 40°C (Print quality is guaranteed.)
Operating humidity	20% to 90% RH (no condensation)
Storage temperature	-20°C to 60°C
Storage humidity	10% to 90% RH (no condensation)
Weight	2Kg (with AC adapter), 1.4 Kg (without AC adapter)
Dimension	145 mm (W) x 190 mm (D) x 157 mm (H): with AC adapter box 145 mm (W) x 190 mm (D) x 114 mm (H): without AC adapter box

2.2 Receipt Roll



Paper type	Thermal paper rolled with the print side facing outside
Width (W)	80 +0/-1 mm
Outer diameter (D)	80 +0.5/-1 mm
Paper thickness (T)	0.075±0.005 mm
Weight	69±3g/m ²
Outer core diameter	18 mm
Inner core diameter	12 mm
Recommended thermal paper	Only paper rolled onto a core is acceptable, however, the paper end should not be pasted to the core. Normal paper: PD150R OHJI PAPER (Japan) Long storable paper: PD152R OHJI PAPER (Japan)

CAUTION!

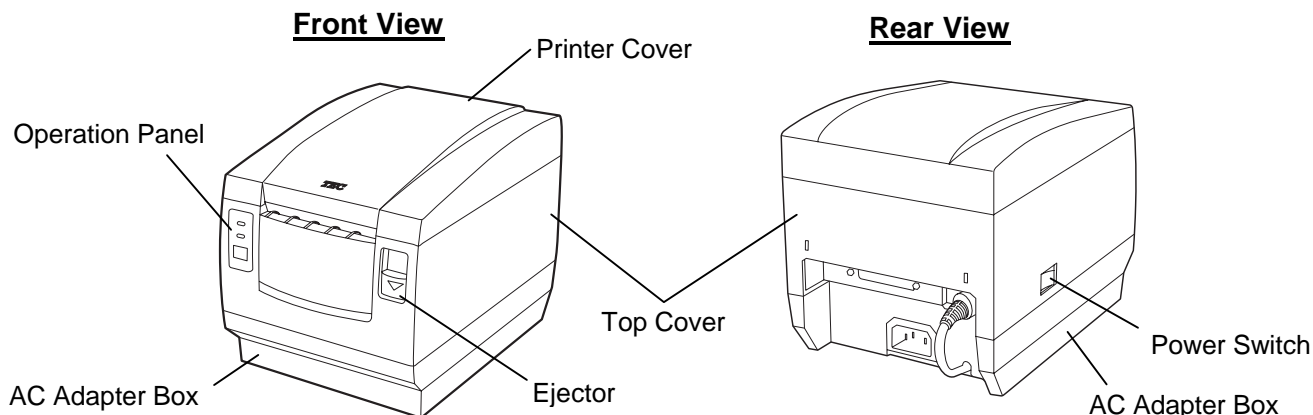
Use only paper which meets specified requirements. Use of non-specified paper may shorten the head life of the printer, resulting in problems with print quality, cause a paper feed failure or shorten the cutter life. All paper should be handled with care to avoid any damage to the paper. Read the following guideline carefully.

- Do not store the paper for longer than the manufacturer's recommended shelf life.
- Store the paper in a cool, dry place. Avoid areas where they would be exposed to direct sunlight, high temperature, high humidity, dust or gas.
- A contact of chemical or oil may discolour or erase the printed record.
- Rubbing the paper hard with nail or hard object may discolour the paper.
- The paper end should not be pasted to the core.

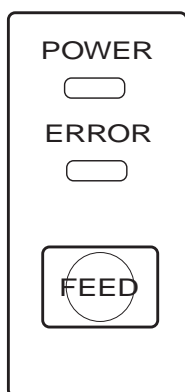
For further information please contact your authorised TOSHIBA TEC representative or authorised paper manufacturer.

3. APPEARANCE

3.1 Front/Rear View



3.2 Operation Panel



POWER LED (Green)
Lights when the power is turned on.

ERROR LED (Red)
The Error LED indicates an error by lighting or blinking.
ON: Lights when an error is detected.
OFF: No error is detected. (Normal state)

FEED Button
Used to feed the receipt paper. A touch of this button causes one line feed. Pressing and holding it feeds the paper continuously. When the power switch is turned on while the [FEED] button is pressed and held, the printer will perform a self test print.

Error Status Table

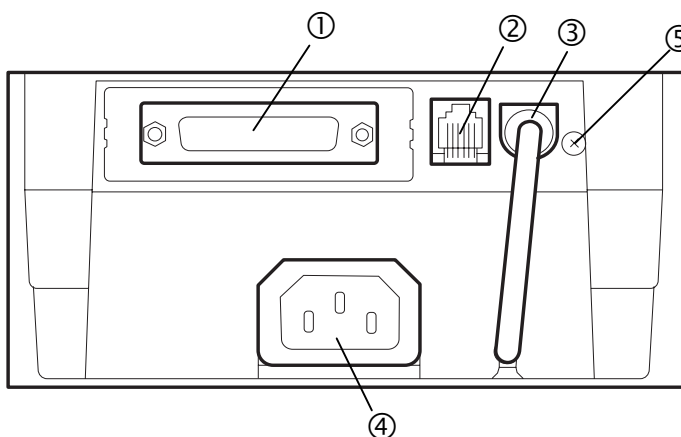
Error	POWER LED	ERROR LED	Solution
The printer cover is open.	ON	ON	When the printer cover is opened, the printer stops printing. Closing the cover resumes printing.
Paper near end	ON	ON	This error indicates that the paper is nearly finished, but the printer keeps printing. Load a new paper roll soon.
Paper end	ON	ON	When the paper has been used up, the printer stops printing. Loading a new paper roll resumes printing.
The print head is overheated.	ON	Blinks slowly	When the print head is overheated, the printer stops printing. Allow the printer to cool. When the temperature becomes normal, the printer resumes printing automatically.
Cutter motor is locked by jammed paper.	ON	Blinks slowly + Blinks quickly	When the cutter motor is locked, the printer stops the operation. Removing the jammed paper resumes the operation.

NOTE: If other LED status except for the above occurs, turn the power off, and then on. If this does not restore the LEDs, contact your nearest TOSHIBA TEC representative for assistance.

3.3 Connectors

CAUTION!

1. The drawer interface connector is exclusively for connecting the drawer. Do not connect a phone line or any other cables than the drawer cable to this connector. Doing so may cause a failure of the phone line and this printer.
2. To the DC24V connector (socket connector), do not connect anything other than the built-in AC adapter.
3. The built-in AC adapter is exclusively for this printer. Do not use it for any other machines.



- ① **[Interface connector] (Serial interface model: D-SUB 25-pin Socket Connector, Parallel interface model: IEEE 1284-B receptacle)**

An interface cable which connects the printer to a POS terminal is connected to this connector. A Centronics interface cable (Parallel I/F model) or an RS-232C interface cable (Serial I/F model) is connected.

- ② **[Drawer interface connector] (6-pin modular connector)**

A drawer cable which connects the printer to a drawer is connected to this connector. To this connector, a TOSHIBA TEC drawer can be connected. Do not connect anything other than the connectable drawer.

NOTE: For the connectable drawers, refer to your nearest authorised TOSHIBA TEC representative.

- ③ **[DC24V] (Socket connector)**

The built-in AC adapter supplies +24V power to the printer through this connector. Do not connect anything other than the built-in AC adapter.

- ④ **[AC Inlet]**

The AC power cord is connected to this inlet.

- ⑤ **[Ground terminal]**

The drawer interface cable's ground wire is secured to this terminal.

4. SET UP PROCEDURE

4.1 Requirements for Operation

This printer has the following requirements:

Serial interface Type

- The TOSHIBA TEC POS terminal to be connected must have a serial port.
- To communicate with the TOSHIBA TEC POS terminal, an RS-232C interface cable is required.
RS-232C cable..... 25 pins

Parallel Interface Type

- The TOSHIBA TEC POS terminal to be connected must have a Centronics parallel port.
- To communicate with the TOSHIBA TEC POS terminal, a Centronics interface cable is required.
Centronics cable 36 pins

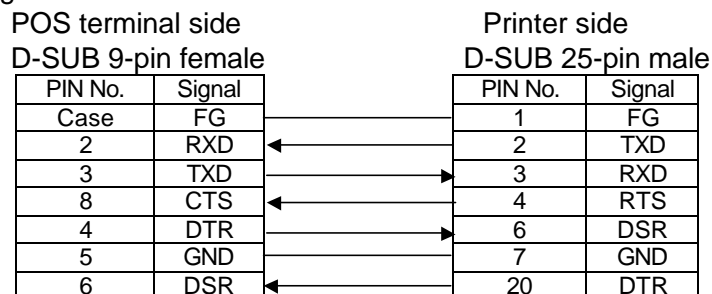
Interface Cables

For the serial interface model, use the CBLST-50-2-QM serial printer cable available from TOSHIBA TEC or equivalent. For the parallel interface model, use the Centronics cable which satisfies the following pin configuration and the specification of the connector.

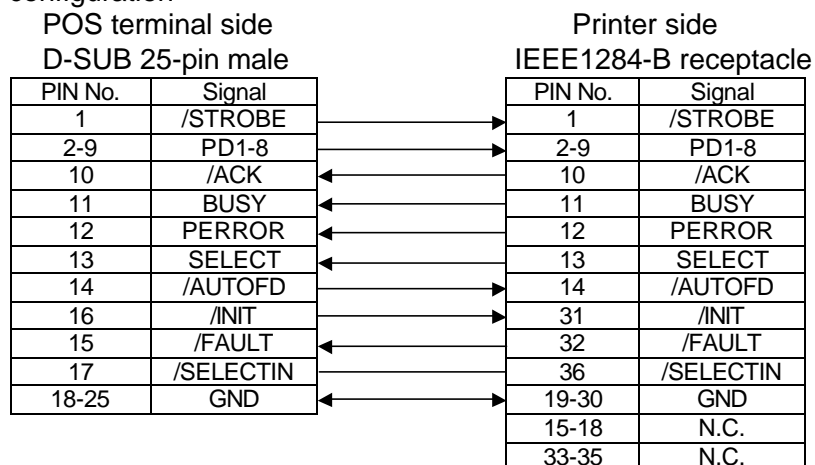
To prevent the emission and receipt of electrical noise, the interface cable must meet the following requirements:

- Fully shielded and fitted with metal or metalized connector housings.
- Kept as short as possible.
- Should not be tightly bundled with the power cord.
- Should not be tied to power line conduits.

RS-232C cable pin configuration



Centronics cable pin configuration



NOTE: For details of the interface cable, contact your nearest TOSHIBA TEC representative.

4.2 Setting up the Printer

CAUTION!

1. Place the printer on a flat, stable surface.
2. Do not place the printer close to a heater or where it may be exposed to direct sunlight.
3. Avoid locations where the printer may be exposed to high temperature, high humidity or dust.
4. Care must be taken that no condensation occurs in the printer. If it should, however, do not turn ON the power until the condensation is dried.
5. Use a grounded electrical outlet. Do not use an adapter plug.
6. Be sure that there is adequate room around the printer for easy operation and maintenance.
7. Keep your work environment static free.

- 1) Make sure that the printer power is turned OFF.
- 2) Connect the interface cable to the printer.
- 3) Insert the power cord into the AC inlet.
- 4) Connect the interface cable to a TOSHIBA TEC POS terminal, and plug in the power cord to the AC outlet.
- 5) If a drawer is desired to be connected, connect the drawer interface cable to the printer.
- 6) Secure the drawer ground wire to the ground terminal on the rear of the printer.
- 7) Turn the printer power ON.
- 8) Open the printer cover.
- 9) Load the receipt roll into the printer.
- 10) Close the printer cover. One receipt will be automatically issued.
- 11) Check the print quality by performing a self test print.

Now the printer is ready for printing.

NOTES:

1. For details of the above steps 1) to 4), refer to Section **5.1 Connecting the Power Cord and Cables**.
2. Steps 5) and 6) are the procedures of the drawer connection. For details of Steps 5) and 6), refer to Section **5.2 Connecting the Drawer**.
3. For details of Steps 8) to 10), refer to Section **5.3 Loading the Receipt Roll**.
4. For details of Step 11), refer to Section **5.5 Self Test**.

5. INSTALLATION PROCEDURE

WARNING!

1. Since the power cord and the interface cable are not provided with this unit, please locally purchase ones which meet the specifications. For detail specifications, please contact your nearest authorised TOSHIBA TEC representative.
2. Before connecting the power cord and cables to the printer, turn the power of the POS terminal and printer OFF.
3. Do not pull the power cord hard. Doing this may damage the power cord, causing fire, electric shock, or broken wire.
4. When it thunders, unplug the power cord. Lightning stroke may cause fire or electric shock.
5. Keep the power cord away from a heater. The cover of the power cord may be melted, causing fire or electric shock.
5. Do not connect the power cord to the AC outlet provided on the POS terminal such as ST-5600, ST-5500, etc.

CAUTION!

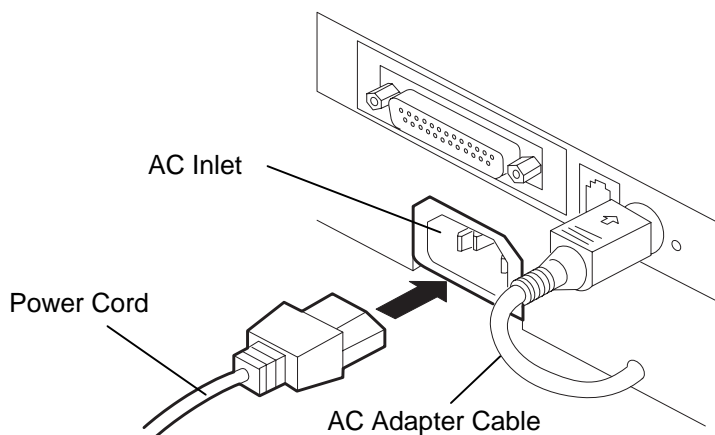
1. When separating the AC adapter, please contact your authorized TOSHIBA TEC representative.
2. The built-in AC adapter is exclusively for this printer. Do not use it for any other machines.
3. The AC adapter can be used indoors only. Never use it outdoors.
4. Be sure to unplug the printer when it is not used for a long time.
5. Do not share the power source with other electric appliances which generate noise.

5.1 Connecting the Power Cord and Interface Cable

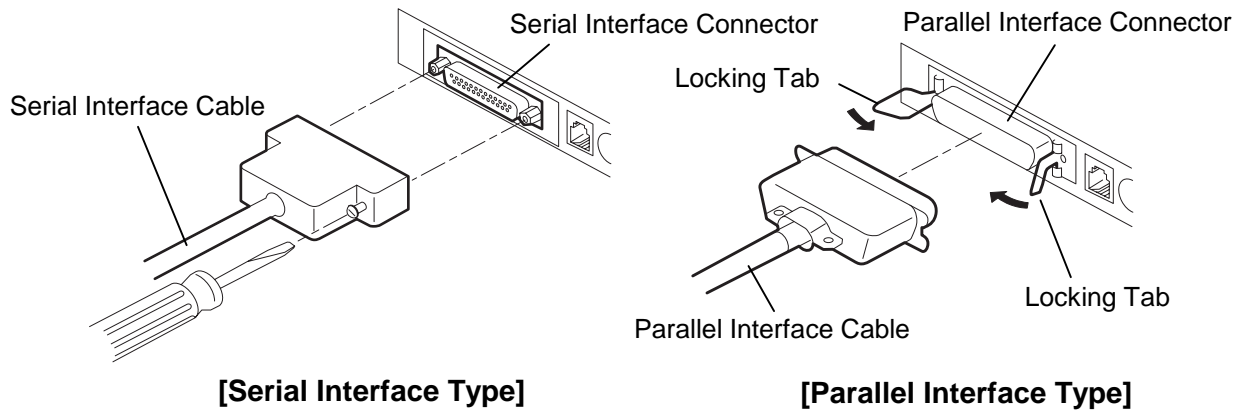
CAUTION!

1. Be sure to hold the connector when plugging in or unplugging the AC adapter cable.
2. Insert the AC adapter cable and the power cord firmly.

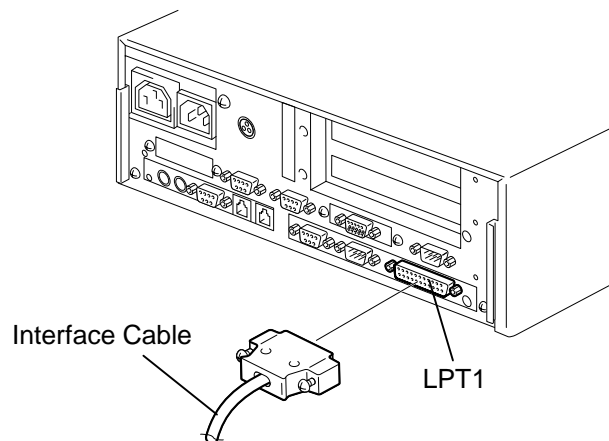
- 1) Turn the printer power OFF.
- 2) Insert the power cord into the AC inlet.



- 3) Connect and secure the interface cable to the interface connector in the correct orientation.
 Serial interface: Secure the connector with the screws.
 Parallel interface: Secure the connector with the locking tabs.



- 4) Connect the interface cable to the TOSHIBA TEC POS terminal, and then plug in the power cord to the AC outlet.



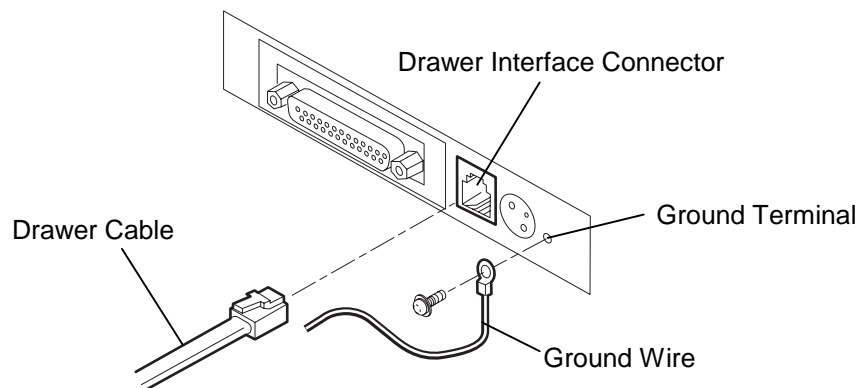
NOTE: The above figure shows the example of the interface cable which is connected to the LPT1 port (Parallel interface) on the ST-5600 POS terminal.

5.2 Connecting the Drawer

CAUTION!

The drawer interface connector is exclusively for connecting a drawer. Do not connect a phone line or any other cables than the specified drawer cable. Doing so may cause a failure of the phone line and the printer.

- 1) Turn the printer power OFF.
- 2) Connect the drawer cable to the drawer interface connector in the correct orientation.
- 3) Secure the ground wire of the drawer to the ground terminal on the rear of the printer.



NOTE: A TOSHIBA TEC drawer can be connected to the drawer interface connector. Regarding the connectable drawers, please contact your authorised TOSHIBA TEC representative.

5.3 Loading the Receipt Roll

When you use this printer for the first time or when the receipt paper has been used up, load a receipt roll in the following procedures while the printer power is set to ON.

A thermal printer prints thermal receipt paper by applying heat to the paper to react with the chemicals on the paper surface. A red line which appears on the reverse side of the receipt paper indicates that the paper is almost used up.

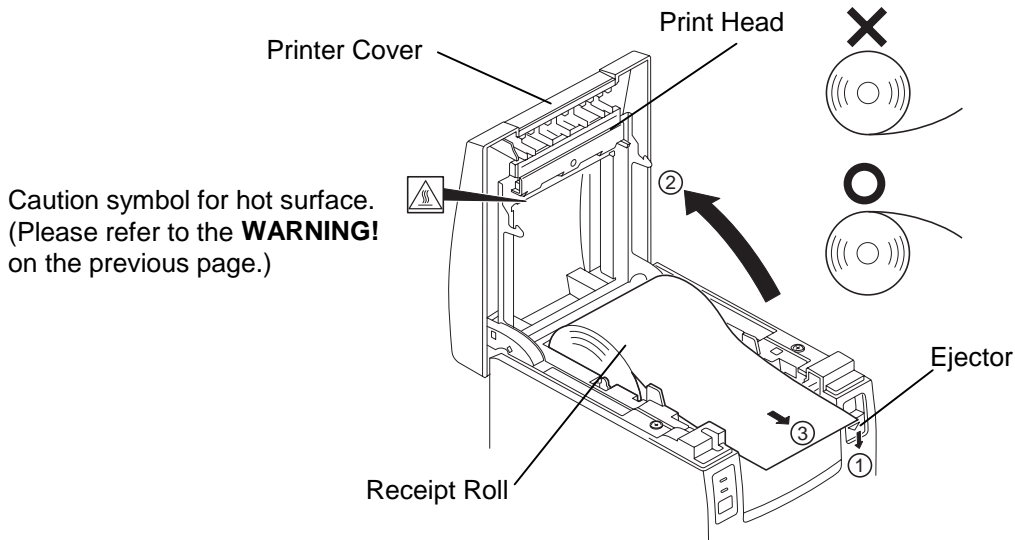
WARNING!

The print head becomes very hot while printing. Never touch the print head to avoid getting burned.

CAUTION!

1. Use only TOSHIBA TEC specified paper. Use of non-specified paper may shorten the print head life resulting in problems with print quality, cause a paper feed failure, or shorten the cutter life.
2. Do not subject the thermal receipt roll to water, oil, or heat source as this will darken the paper.
3. Load the receipt roll in the correct orientation. Failure to do this may cause a paper jam error.
4. Care must be taken not to damage the print head and platen when the printer cover is opened as this may cause a poor print or a printer failure.
5. Do not open the printer cover while the printer is printing.
6. Do not hold the receipt while the printer is printing. Doing so may cause a paper jam.
7. When closing the printer cover, do not press it down too hard.
8. Do not put anything on the printer cover or push the cover too strongly. Doing so may cause a print failure.

- 1) Turn the printer power ON.
- 2) Press down the ejector to unhook the printer cover. (①)
- 3) Hold both sides of the printer cover and open it until it stops.(②)
- 4) Check for the correct orientation of the receipt roll, and put it into the paper holder.
- 5) Pull the receipt until it extends past the paper outlet for about 5 cm (③), and then close the printer cover by pressing it's front centre gently and make sure that the ejector snaps up.
- 6) Excessive paper will be automatically fed and cut.



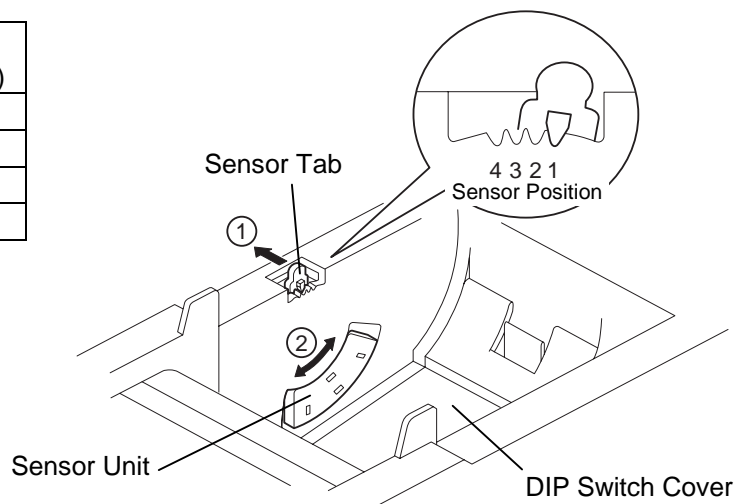
5.4 Adjusting the Paper Near End Sensor Position

CAUTION!

1. The remaining volume of roll paper (outer roll diameter) varies depending on the printer models and paper types. Please use the following table just for your reference.
2. Do not open the DIP switch cover under the paper holder or change the DIP switch settings. Changing the settings may cause a malfunction of the printer.

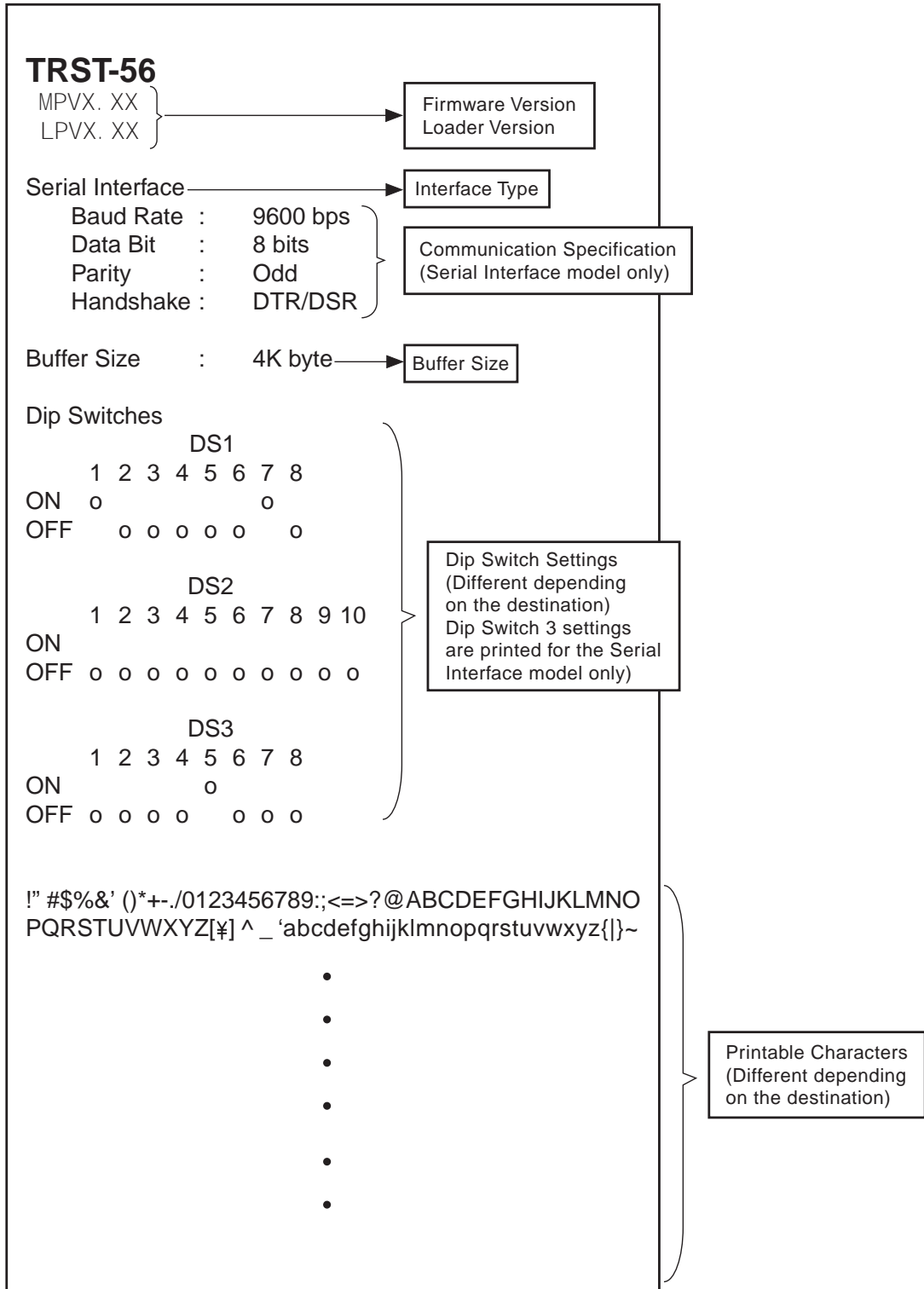
- 1) Press down the ejector to unhook the printer cover. Hold both sides of the printer cover and open it until it stops.
- 2) Push the sensor tab in the direction of the arrow (①) to unhook the sensor tab. Adjust the sensor unit position (②) by moving the sensor tab according to the remaining volume of the receipt paper.
- 3) The following table shows an outline of the relationship between the remaining volume of the receipt paper and the sensor position. (when using the specified paper roll)

Sensor position	Remaining volume (Outer roll diameter: mm)
1	Ø18
2	Ø21
3	Ø24
4	Ø27



5.5 Self Test Print

When the power is turned on while pressing the **[FEED]** button, the printer will start a self test print. After completing the self test print, the printer will automatically cut the receipt and return to the stand-by mode. (while the printer is restored, the POWER LED goes off for a moment and soon lights again.) If the **[FEED]** button is kept pressed while the printer is restored, the self test print will be performed again.



6. GENERAL MAINTENANCE

WARNING!

1. Be sure to disconnect the power cord prior to performing any maintenance.
2. **DO NOT POUR WATER** directly onto the printer, as this may cause electric shock or fire.
3. The print head becomes very hot while printing. To avoid getting burned, never touch the print head during the maintenance.

CAUTION!

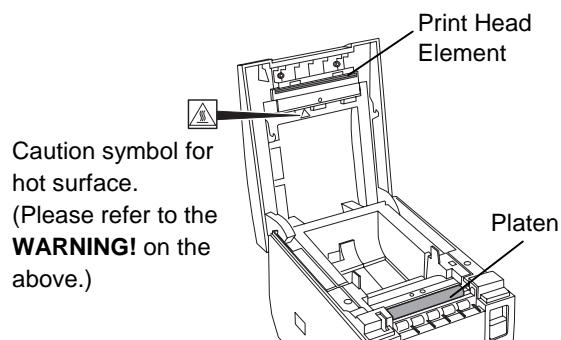
1. Do not use any sharp object to clean the print head and platen. Doing so may damage them, causing poor print or missing dots.
2. Never use an organic solvent like thinners or benzene for cleaning. Using such solvents may discolour the covers.
3. Do not touch the print head element as static built-up may damage the print head.

To help retain the high quality and performance of your printer it should be cleaned regularly. The greater the usage on the printer, the more frequent the cleaning. (i.e. low usage=weekly, high usage=daily)

6.1 Cleaning

6.1.1 Cleaning the Print Head and Platen

- 1) Turn the power OFF and open the printer cover.
- 2) Clean the print head element (cross hatched area in the figure on the right) with a cotton swab slightly moistened with alcohol.
- 3) Clean the platen with a soft cloth moistened with alcohol.



6.1.2 Cleaning the Covers

Wipe the covers with a soft dry cloth or soft cloth slightly moistened with mild detergent. After using detergent for cleaning, be sure to wipe it off with a slightly moistened cloth.

6.2 Removing Jammed Paper

- 1) Turn the power OFF.
- 2) Open the printer cover.
- 3) Remove the jammed paper. **DO NOT USE** any sharp implement or tool as these will damage the printer.
- 4) Clean the print head and platen, then remove any further dust or foreign objects.
- 5) Re-load the receipt roll. (Refer to Section **5.3 Loading the Receipt Roll.**)
- 6) After closing the printer cover, turn the power ON. The printer will initialise the auto cutter to restore the printer stand-by.

NOTE: If the jammed paper cannot be removed, remove the receipt roll from the printer, and turn the power ON while pressing and holding the **[FEED]** button. The cutter will move to the center so that the jammed paper can be removed easily.

7. TROUBLESHOOTING

WARNING!

If you cannot solve a problem with the following solutions, do not attempt to repair it by yourself. Turn the power off, unplug the printer, then contact your authorised TOSHIBA TEC representative for assistance.

Problem	Check Pint	Solution
The power is not turned on. (Power LED does not light.)	<ul style="list-style-type: none"> • Is the power cord plugged in correctly? • Is the power supplied to the AC outlet? • Has the circuit breaker tripped? 	<ul style="list-style-type: none"> • Plug it in correctly. • If it is not a power failure, check if the power is supplied to the AC outlet with another electric appliance. If not, contact your nearest power company. • Check the circuit breaker.
Receipt paper is not issued.	<ul style="list-style-type: none"> • Is the receipt roll loaded properly? • Does a paper jam error occur? 	<ul style="list-style-type: none"> • Refer to Section 5.3 and load the receipt roll properly. • Refer to Section 6.2 and remove the jammed paper, and re-load the receipt roll.
No printing is performed though the POWER LED lights.	<ul style="list-style-type: none"> • Is the interface cable connected correctly? • Does the specification of the interface cable meet that of the POS terminal or the printer? 	<ul style="list-style-type: none"> • Connect the interface cable correctly. • Use a TOSHIBA TEC-recommended interface cable or an interface cable which meets the specification of the printer.
Issued receipt paper is stained.	<ul style="list-style-type: none"> • Is the print head dirty? 	<ul style="list-style-type: none"> • Refer to Section 6.1 and clean the print head.
Irregular print/blurred print	<ul style="list-style-type: none"> • Is the proper paper used? • Is the paper dampened? 	<ul style="list-style-type: none"> • Refer to Section 2.2 and use the TOSHIBA TEC specified paper. • Do not use dampened paper.

NOTE: *If any problem occurs other than the above, please contact your authorised TOSHIBA TEC representative.*

INDEX

A

AC adapter 1-1, 2-1
 AC adapter cable 5-1
 AC adapter box 3-1
 Accessories 1-2

C

Character size 2-1
 Character types 2-1
 Centronics cable pin configuration 4-1
 Cleaning 6-1
 Connector 3-2
 Parallel interface model 3-2
 Serial interface model 3-2
 Cut method 2-1

D

Dimension 2-1
 DIP switch cover 5-4
 Drawer 5-3
 Drawer cable 5-3
 Drawer interface connector 3-2, 5-3

E

Ejector 3-1, 5-4
 Error status table 3-1

I

Inner core diameter 2-2
 Interface 2-1
 Interface cable 4-1

J

Jammed paper 6-1

O

Operation Panel 3-1
 ERROR LED 3-1
 FEED Button 3-1
 POWER LED 3-1
 Outer core diameter 2-2
 Outer diameter (D) 2-2

P

Paper thickness (T) 2-2
 Paper type 2-2
 Parallel interface type 4-1
 Partition 1-2
 Platen 6-1
 Power consumption 2-1
 Power switch 3-1
 Print head 5-4
 Printer cover 3-1
 Printing method 2-1
 Printing speed 2-1

R

Receipt roll 2-2, 5-4
 RS-232C cable pin configuration 4-1

S

Self test print 5-5
 Serial interface type 4-1
 Specifications 2-1
 Sensor tab 5-4

T

Top cover 3-1
 Troubleshooting 7-1

W

Weight (Printer) 2-1
 Weight (Receipt roll) 2-2
 Width (W) 2-2



TEC

TOSHIBA TEC CORPORATION

E PRINTED IN JAPAN
EO1-13016