

PoE 8-Port 10/100Mbps Web Smart FSD-804PS PoE Fast Ethernet Switch

www.planet.com.tw



Quick Installation Guide

1. Package Content

Thank you for purchasing PLANET 8-Port 10/100Mbps with 4-Port PoE Web Smart Switch, FSD-804PS. Terms of “**PoE Switch**” in following section of this Quick installation guide means the FSD-804PS.

Upon open the box of the PoE Switch and carefully unpack it. The box should contain the following items:

- The PoE Switch x 1
- User's manual CD x 1
- This Quick Installation Guide x 1
- Power Cord x 1
- Rubber feet x 4

If any item is found missing or damaged, please contact your local reseller for replacement.

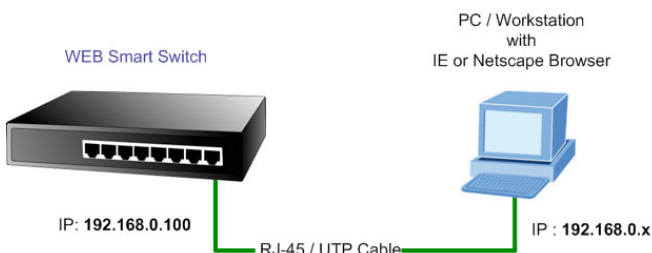
2. Requirements

The FSD-804PS provide remote Web interface for manage; the following equipments are necessary for further management.

- Network cables: Use standard network (UTP) cables with RJ45 connectors.
- Subscriber PC installed with Ethernet NIC (Network Card)
- The operate system of subscriber PC that running Windows 98/ME, NT4.0, 2000/XP, MAC OS9 or later, Linux, UNIX or other platform compatible with TCP/IP protocols.

3. Start Web Management

The PLANET FSD-804PS provide a built-in browser interface. You can manage the Switch remotely by having a remote host with Web browser, such as Microsoft Internet Explorer, Netscape Navigator or Mozilla Firefox.



Make sure the manager PC must be set on the same **IP subnet address**, for example, the default IP address of the PoE Switch is **192.168.0.100** (the factory-default IP address), then the manager PC should be set at 192.168.0.x (where x is a number between 1 and 254, except 100), and the default subnet mask is 255.255.255.0.

Use Internet Explorer 5.0 or above Web browser, enter default IP address <http://192.168.0.100>

Default IP address: **192.168.0.100**
Default Username: **admin**
Default Password: **admin**

To access the Web interface then the Web login screen appears in Figure 1




Figure 1 Log in Screen of FSD-804PS

After entering the username and password (default user name and password is “admin”) in login screen (Figure 1 appears). The Web main screen appears as Figure 2.



Figure 2 Web Main Screen of FSD-804PS

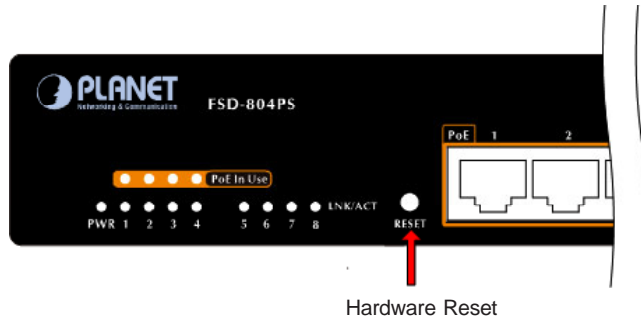
Now, you can use the Web management interface to continue the Switch management, please refer to the user manual for more.



For security reason, please change and memorize the new password after this first setup.

4. While IP Address lost or forgotten admin password –

To reset the IP address to the default IP Address "192.168.0.100" and the use name / password to factory default mode (default user name and password is admin). Press the hardware reset button at the front panel about 10 seconds. After the device is rebooted, you can login the management Web interface within the same subnet of 192.168.0.xx and default use name / password.



Hardware Reset

5. Customer Support

Thank you for purchase PLANET products. You can browse our online FAQ resource at the PLANET web site first to check if it could solve you issue. If you need more support information, please contact PLANET switch support team.

PLANET online FAQ :

<http://www.planet.com.tw/en/support/faq.php?type=1>

Switch support team mail address :

support_switch@planet.com.tw

Copyright © PLANET Technology Corp. 2008.

Contents subject to revision without prior notice.

PLANET is a registered trademark of PLANET Technology Corp. All other trademarks belong to their respective owners.