

WASHER

Repair Parts List

MODEL NUMBER

MAV9504EWW

When requesting service or ordering parts, always provide the following information:

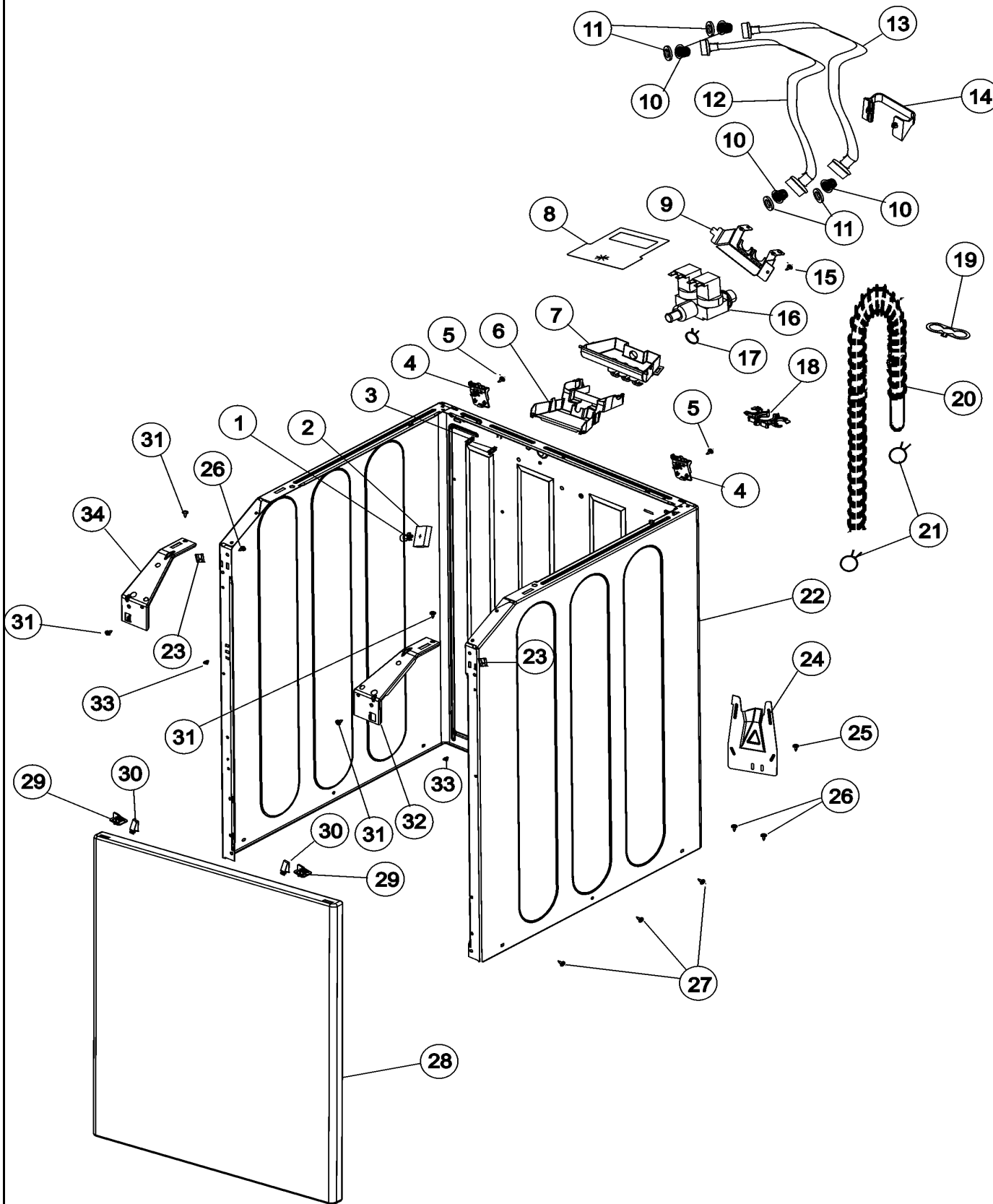
- Product Type
- Part Number
- Model Number
- Part Description

MAYTAG®

©2005 Maytag Services

Section: CABINET

Model: MAV9504EWW



LW12-109

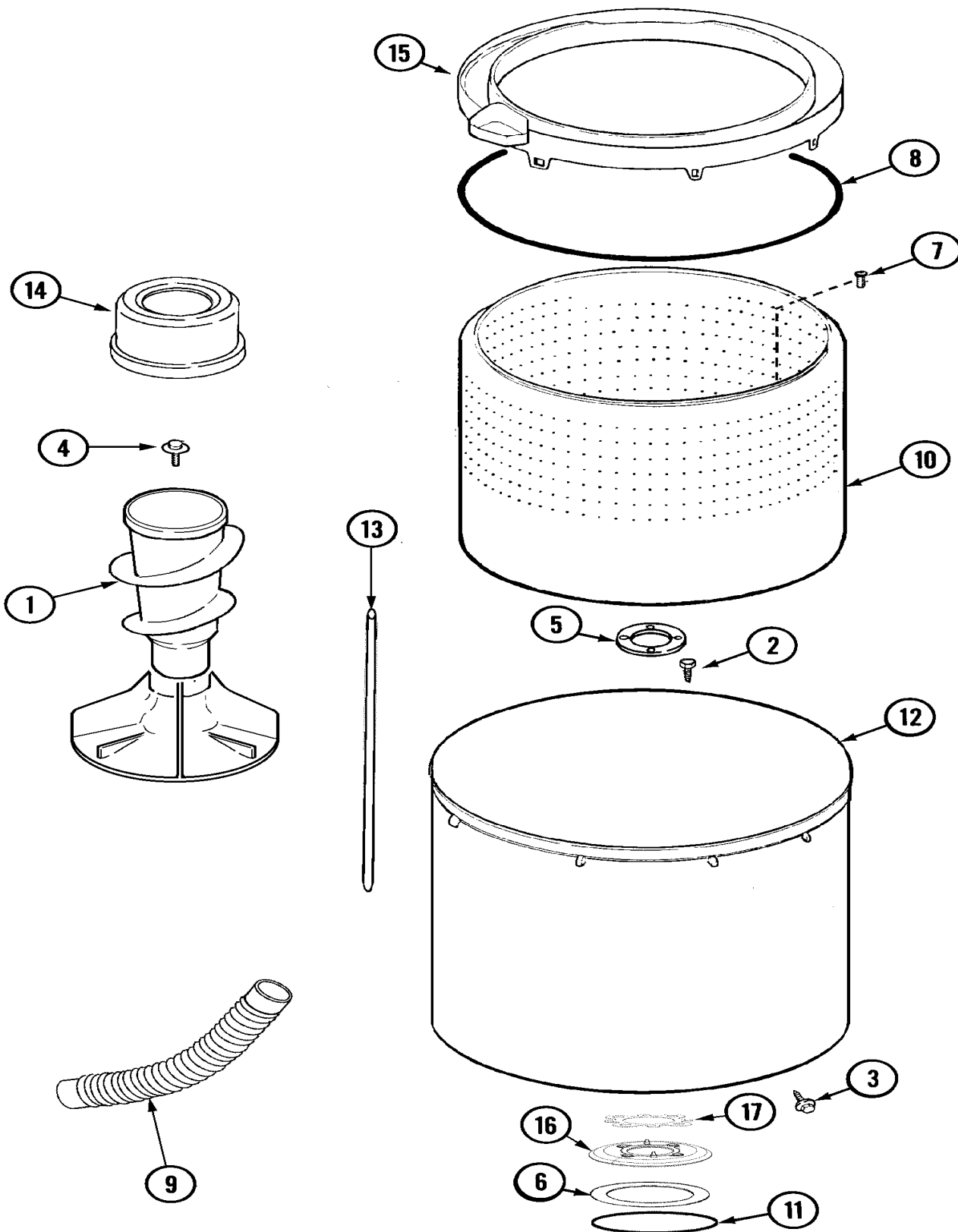
Section: CABINET

No.	Part No.	Description	Series	Qty
1	22003086	CLIP, AIR DOME HOSE	10	1
2	22003461	PAD, PRESSURE SWITCH	10	1
3	22003298	RETAINER, WIRE	10	1
4	22004095	HINGE, PLASTIC	10	2
5	22001995	SCREW	10	2
6	22004053	LOWER INJECTOR, FLUME	10	1
7	22004361	UPPR INJECTOR/THERMOSTAT ASSY	10	1
8	22004251	WATER VALVE SHIELD	10	1
9	22003376	BRACKET, WATER VALVE Note: SCREW, VALVE TO BRACKET	10	1
10	22002960	STRAINER, WASHER INLET	10	4
11	Y013783	GASKET, INLET HOSE	10	4
12	21001316	HOSE, INLET (HOT)	10	1
13	33-7891	HOSE, 4' INLET	10	1
14	22003429	RETAINER, FILL HOSE	10	1
15	22002300	SCREW	10	1
16	22004333	WATER VALVE	10	1
17	22002838	CLAMP, SPRING----S Note: WASHER, INLET HOSE	10	1
18	22002765	CLIP, HOSE	10	1
19	22003814	RETAINER, DRAIN HOSE	10	1
20	22003410	HOSE, DRAIN	10	1
21	22003596	CLAMP, HOSE	10	2
22	N 22003553	CABINET ASSY. (WHT-AS PKD)	10	1
23	213280	FRONT PANEL BRACKET/FASTENER	10	2
24	22002704	COVER, DRAIN HOSE	10	1
25	N 313561	SCREW----NA Note: SCREW, HINGE	10	1
26	33002190	SCREW (#10-3/8")	10	2
27	22003409	SCREW----NA	10	6
28	22002737	PANEL, FRONT (WHT)	10	1
29	22002013	STOP, SHIPPING	10	2
30	25-7220	CLIP, CABINET TOP	10	2
31	22003735	SCREW, #10-16X1/2 AB TRUSS	10	4
32	22002839	BRACE, CABINET (RT)	10	1
33	22002965	HOLE PLUG	10	2
34	22002840	BRACE, CABINET (LT)	10	1

*Color Code (-)=Not Shown #=Series, Serial Prefix or Run No., N=Not Available

Section: TUB

Model: MAV9504EWW



LW13-78

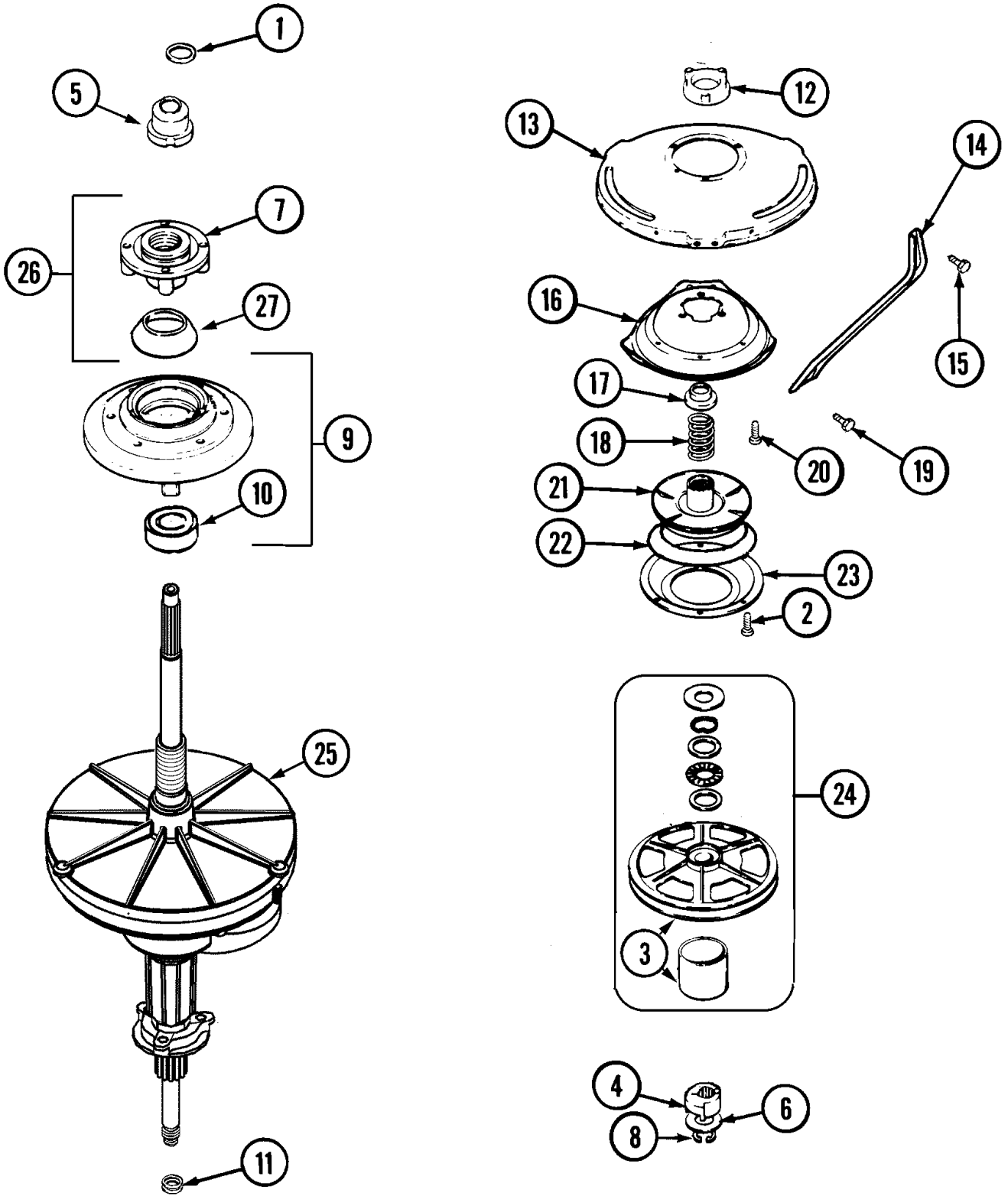
Section: TUB

No.	Part No.	Description	Series	Qty
1	22004043	AGITATOR/AUGER ASSY (AS PK)	10	1
2	21001510	SCREW Note: SCREW, TUB	10	4
3	22002933	SCREW	10	6
4	25-7948	SCREW, AGITATOR RETENTION	10	1
5	22003434	GASKET, HUB/BOTTOM ISOLATOR	10	1
6	35-3686	GASKET, TUB TO HOUSING	10	1
7	22003647	BOLT, SHOULDER,THREAD CUTTING	10	4
8	35-2328	SEAL, TUB TOP	10	1
9	22003285	HOSE, TUB TO PUMP	10	1
-	22003368	SPINNER TOP	10	1
10	22004240	CRIMPED SPINNER ASSY AS PK	10	1
-	22003431	WASHER, STAINLESS STEEL FLAT	10	1
11	35-3685	GASKET, BASKET TO CENTERPOST	10	1
12	22002742	TUB, OUTER	10	1
13	22003237	AIR DOME HOSE	10	1
14	22003985	SOFTENER DISPENSER ASSEMBLY Note: (INCL. DISPENSER CUP)	10	1
15	12002452	TUB COVER/BLEACH CUP KIT	12	1
15	22004184	TUB COVER ASSY - AS PACK	10	1
16	22003433	RING, INSULATING BOTTOM	10	1
17	22003595	GASKET, ISOLATOR (FOAM)	10	1
-	22003458	BLOCK, TUB (ATL)	10	1

*Color Code (-)=Not Shown #=Series, Serial Prefix or Run No., N=Not Available

Section: TRANSMISSION

Model: MAV9504EWW



LW15-41

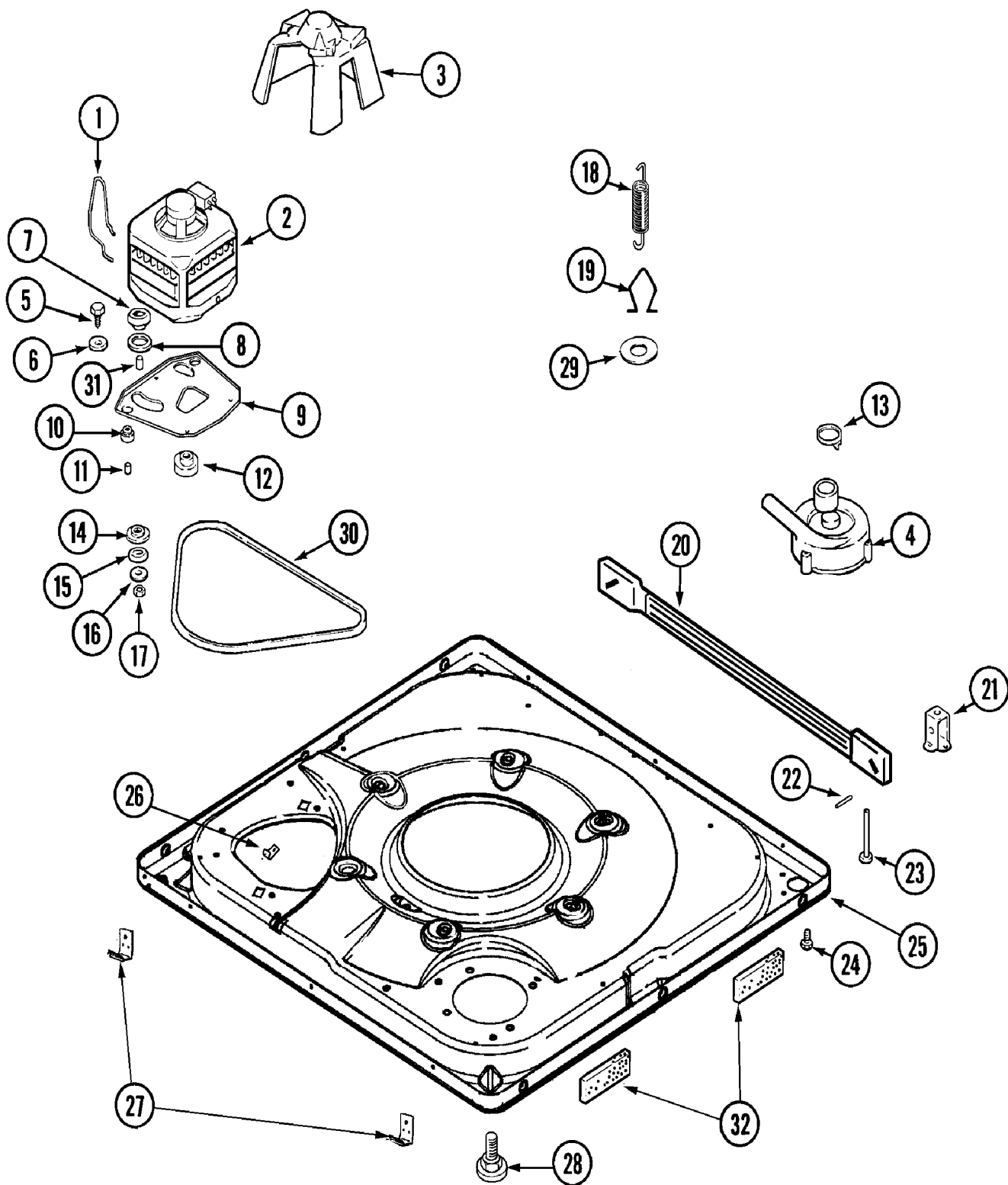
Section: TRANSMISSION

No.	Part No.	Description	Series	Qty
1	25-7941	"O" RING	10	1
2	21001065	SCREW,#10-24X.50 HXNIBHD Note: SCREW, STATOR	10	6
3	12001797	KIT, PULLEY & DUST CAP	10	1
4	LA-2007	CAM REPLACEMENT KIT	10	1
5	21001533	SEAL NUT ASSEMBLY	10	1
6	35-2082	WASHER,1.25ODX.530IDX.062 Note: WASHER, FLAT	10	1
-	35-2132	WASHER,1.25ODX.530IDX.032 Note: WASHER, FLAT	10	1
7	21001515	BASKET HUB ASSEMBLY	10	1
8	25-7854	RING, RETAINING	10	1
9	12001598	TUB SEAL ASSEMBLY	10	1
10	35-2205	BEARING, SPIN	10	1
11	35-2974	TUB SEAL/HUB ASSY (HT TRANS)	10	1
12	21001511	HOUSING/LWR.BEARING ASSY.	10	1
-	35-2205	BEARING, SPIN	10	1
13	21001518	SUPPORT, TUB	10	1
14	21001532	BRACE, TUB	10	3
15	25-7895	SCREW, SUSP HSG TO LWR BRG ASY Note: SCREW, TUB BRACE	10	6
16	21001163	HOUSING, SUSPENSION	10	1
17	35-2017	RETAINER, BRAKE SPRING	10	1
18	31001285	SPRING, BRAKE	10	1
19	25-7930	SCREW 5/16-18X3/4 Note: SCREW, TUB BRACE	10	6
20	21001509	SCREW,HIGH PERFORMANCE PLASTIC Note: SCREW, SUSPENSION HOUSING	10	3
21	35-2948	BRAKE ROTOR & LINING ASSY Note: BRAKE ROTOR & LINING ASSEMBLY	10	1
22	21001161	SNUBBER	10	1
23	35-2018	STATOR, BRAKE	10	1
24	12500036	THRUST BEARING KIT	10	1
25	21001536	TRANS. ASSY.(W/O SEAL/BEARING) Note: TRANSMISSION ASSY.(DUAL DRIVE)COMPONENTS OF THIS ASSEMBLY NOT SOLD SEPARATELY	10	1
-	21001867	HT TRANS/SEAL HUB ASSEMBLY	10	1
26	21001508	HOUSING/BEARING ASSY. Note: (INCL TUB SEAL, TUB GASKET BASKET GASKET)	10	1
-	21001868	SEAL HUB ASSEMBLY (HT TRAN)	10	1
27	35-2010	SEAL,TRANSMISSION HOUSING(LIP)	10	1

*Color Code (-)=Not Shown #=Series, Serial Prefix or Run No., N=Not Available

Section: BASE

Model: MAV9504EWW



LW10-40

Section: BASE

No.	Part No.	Description	Series	Qty
1	22004376	SPRING, MOTOR PIVOT	10	1
-	21001506	PULLEY, MOTOR-60 HZ Note: FOR MOTORS BUILT BEFORE 8-18-03	10	1
2	21001950	MOTOR, 2SP 1/2HP 120/60 HI-TOR	10	1
-	22004297	PULLEY Note: FOR MOTORS BUILT AFTER 8-18-03	21	1
3	22002721	SHIELD, MOTOR	10	1
-	22002019	SCREW	10	2
-	22003438	SLEEVE, PUMP (ATL)	10	1
4	21001873	PUMP	10	1
-	22004055	SCREW HEX HD PUMP TO BASE	10	3
5	25-7833	SCREW Note: SCREW, MOTOR/BASE	10	2
6	25-7834	WASHER Note: WASHER, MOTOR/BASE SCREW	10	2
7	33-9946	ISOLATOR, MOTOR	10	2
8	35-3570	WASHER, MOTOR PIVOT Note: WASHER, PIVOT	10	2
9	21001366	PLATE, MOTOR	10	1
-	22003817	SCREW, SERRATED WASHER HEAD HX	10	1
-	35-2065	PAD, MOTOR PLATE	10	1
10	35-3646	ISOLATOR, MOTOR PLATE	10	1
-	22004348	SLIDE, MOTOR PIVOT	10	2
11	25-7831	SPACER	10	2
12	33-9946	ISOLATOR, MOTOR	10	1
13	22002853	CLAMP, HOSE	10	2
14	35-3571	SLIDE, MOTOR PIVOT	10	2
15	33-9967	WASHER, MOTOR ISOLATOR	10	2
16	25-7047	WASHER, FLAT	10	2
17	25-7325	NUT, MOTOR PLATE ASY TO MOTOR Note: NUT, MOTOR PLATE ASSEMBLY	10	2
18	21001598	SPRING, SUSPENSION	10	6
19	21001166	HOOK, SUSPENSION SPRING	10	3
20	21001754	BAR, STABILIZER	10	1
21	35-2046	BRACKET, STABILIZER	10	2
22	35-2052	PIN, STABILIZER	10	1
23	35-3020	FOOT PAD ASSY. (REAR)	10	2
24	33002190	SCREW (#10-3/8") Note: SCREW, CABINET TO BASE	10	3
25	22003390	BASE (AS PACKED)	10	1
-	22003817	SCREW, SERRATED WASHER HEAD HX Note: SCREW, GROUND WIRE	10	1
-	22002781	PAD, SOUND DEFLECTOR (BASE)	10	1
26	25-7845	SPEEDNUT Note: SPEEDNUT, MOTOR	10	2
-	33002190	SCREW (#10-3/8")	10	2
-	22004045	CLIP, LOWER FRONT PANEL	10	2
27	22002239	CLIP, LOWER FRONT PANEL	10	2
28	35-3507	FOOT & PAD ASSY	10	2
29 N	25-7951	WASHER, SUSPENSION HOOK	10	3
30	22003483	BELT, DRIVE	10	1
31	25-7830	SPACER	10	2
32	22002782	PAD, FOAM (SOUND DAMPENER)	10	4

*Color Code (-)=Not Shown #=Series, Serial Prefix or Run No., N=Not Available

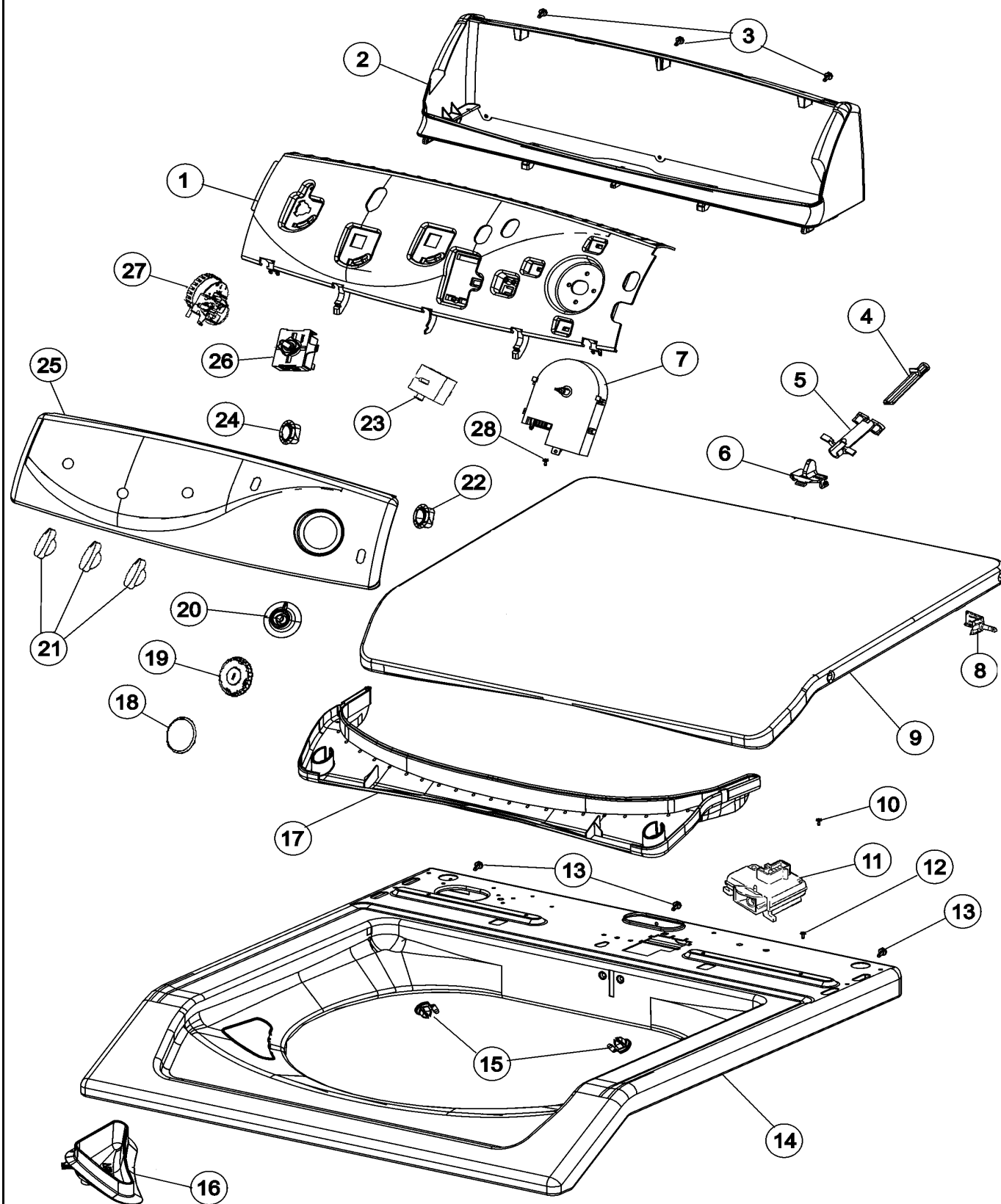
Section: SUPPLEMENTAL INFORMATION

No.	Part No.	Description	Series	Qty
1	62620660	MANUAL, USE & CARE	10	1
2	22004369	GUIDE, ENERGY HANG TAG	10	1
3	22004362	HARNESS, WIRE - LOWER	10	1
4	22004403	WIRE HARNESS	13	1
4	22004366	HARNESS,WIRE - UPPER	10	1
5	22003061	CORD, POWER (AS WRAPPED)	10	1
6	211881	GROMMET, CORD	10	1
7	22003817	SCREW, SERRATED WASHER HEAD HX	10	1
9	22003512	INSULATION, CABINET	10	1
10	22003218	LAUNDERING TIPS (TRILINGUAL)	10	1
11	22003511	INSULATION	10	1
12	16010358	MANUAL, SERVICE	10	1
-	20000021	LIP SEAL TOOL KIT	10	1
-	20001120	PLIERS, QB PRODUCTS HOSE	10	1
-	22002898	TOOL, SEAL NUT	10	1
-	22002922	TOOL, SPRING REMOVAL	10	1
-	35-2968	SPANNER WRENCH BASKET DRIVE HU	10	1
-	12002012	BRAKE/BEARING TOOL (COMPLETE)	10	1
- N	20001057	MOVER, APPLIANCE	10	1
-	20001069	MULTI-WRENCH, FLAT	10	1
-	20001120	PLIERS, QB PRODUCTS HOSE	10	1

*Color Code (-)=Not Shown #=Series, Serial Prefix or Run No., N=Not Available

Section: CONTROL PANEL & TOP

Model: MAV9504EWW



LW11-169

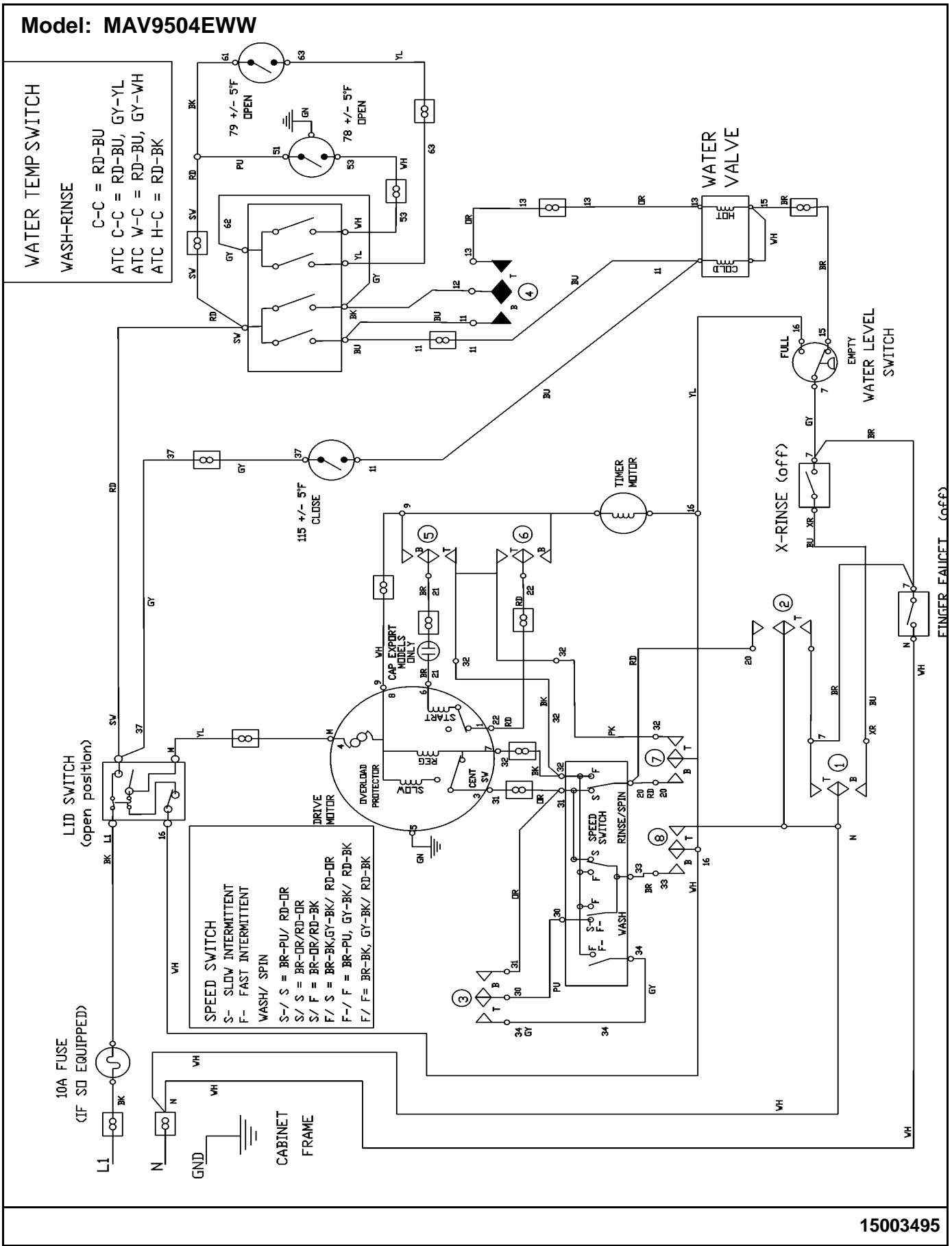
Section: CONTROL PANEL & TOP

No.	Part No.	Description	Series	Qty
1	22003955	SWITCH SUPPORT	10	1
2	22003960	CONSOLE HOUSING (WHT)	10	1
3	22003938	SCREW, OVAL CTSK HD #8	10	3
4	22002754	PLUNGER	10	1
5	22002757	GUIDE TUBE	10	1
6	22003941	LID CAM (WHITE)	10	1
7	22004073	TIMER	10	1
8	22002751	HINGE PIN (WHT)	10	2
9	22004063	LID AS PACK PHASE III (WHT)	10	1
10	2016090	SCREW, LID SWITCH TO BRACKET	10	1
11	22003804	LID SWITCH	10	1
12	22003817	SCREW, SERRATED WASHER HEAD HX	10	1
13	22003938	SCREW, OVAL CTSK HD #8	10	3
14	22003468	COVER, TOP (WHT-ASPKD)	10	1
15	22002753	BUSHING, HINGE	10	2
16	22002835	CUP, BLEACH (WHT)	10	1
16	22004381	BLEACH CUP (WHT)	24	1
16	22004382	BLEACH CUP (BSQ)	24	1
17	22002967	CONDENSATE SEAL (WHT)	10	1
18	22003989	TIMER CAP (CHROME) WHT	10	1
19	22003993	TIMER KNOB (BLUE) (WHT)	10	1
20	22004165	TIMER DIAL SKIRT (WHT)	10	1
21	22003987	CONTROL KNOB (CHROME) WHT	10	3
22	22003981	SWITCH, MOMENTARY ROCKER (WHT)	10	1
23	22003994	6 POS. ROTARY SPEED SWITCH	10	1
24	22003977	SWITCH, ROCKER (WHT)	10	1
25	22004341	FACIA/CONTROL PANEL (WHT)	10	1
26	22004337	TEMP SWITCH, 4 POS. ROTARY	10	1
27	22004072	INFINITE PRESSURE SWITCH	10	1
28	33001855	SCREW (HEX HEAD)	10	1

*Color Code (-)=Not Shown #=Series, Serial Prefix or Run No., N=Not Available

Section: WIRING INFORMATION

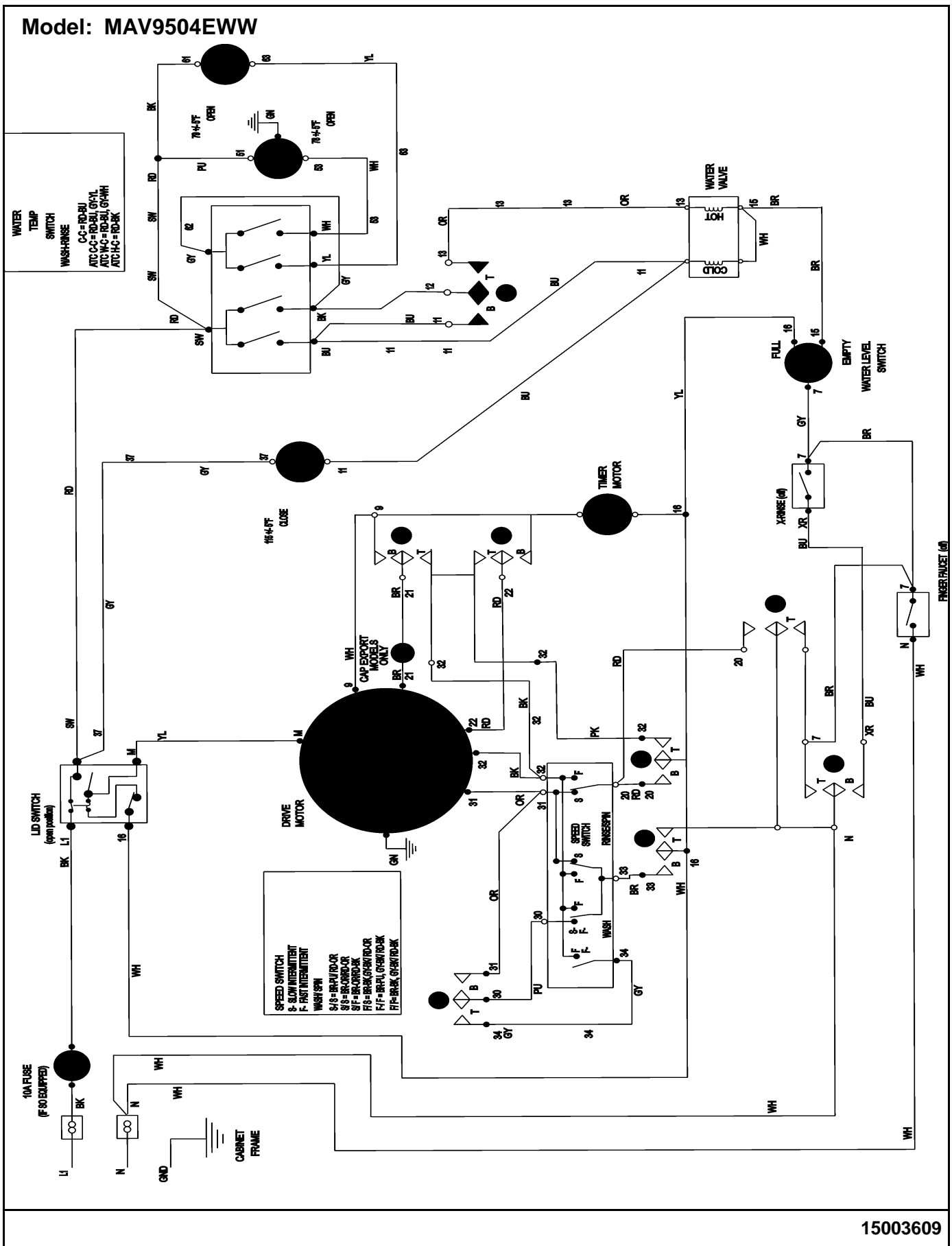
Model: MAV9504EWW



15003495

Section: WIRING INFORMATION

Model: MAV9504EWW



15003609

