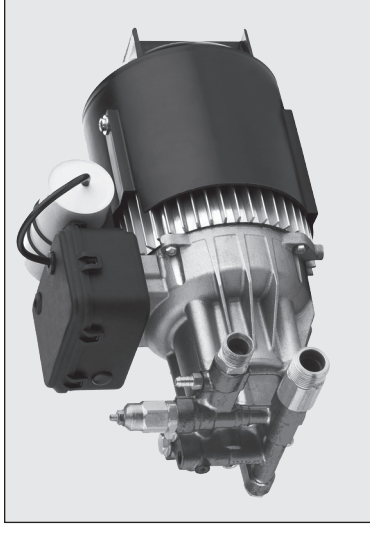




**ANNOVI
REVERBERI**
The Power of Experience

ANNOVI REVERBERI S.p.A.
Via M. L. King, 3 - 41100 Modena (Italy)
Tel. (+39) 059.414.411 - Telefax (+39) 059.253.505
E - Mail: industria@annovireverberi.it

**Pump type
Type de pompe
Pumpetyp
Tipo de bomba
Tipo pompa
HRM-A**



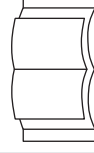
**TECHNICAL DATA / DONNEES TECHNIQUES / TECHNISCHE ANGABEN
CARACTERISTICAS TECNICAS / CARATTERISTICHE TECNICHE**

PUMP TYPE TYPE DE POMPE PUMPETYP TIPO DE BOMBA TIPO POMPA	CAPACITY DEBIT LEISTUNG CAUDAL PORTATA		PRESSURE PRESSION DRUCK PRESION PRESSIONE		POWER PUISSANCE KRAFT POTENCIA POTENZA		RPM TOURS/1' U.P.M. REVOLUCIONES/1' N° GIRI/1'	1 ~ 50 Hz
	l/min	gpm (US)	bar	psi	HP	kW		
HRM-A 6.12 REG	5,5	1,46	115	1700	1,6	1,2	2800	230
HRM-A 8.14 REG	8	2,11	140	2200	2,65	1,9	2800	230
HRM-A 8.14 TSS	8	2,11	140	2200	2,65	1,9	2800	230

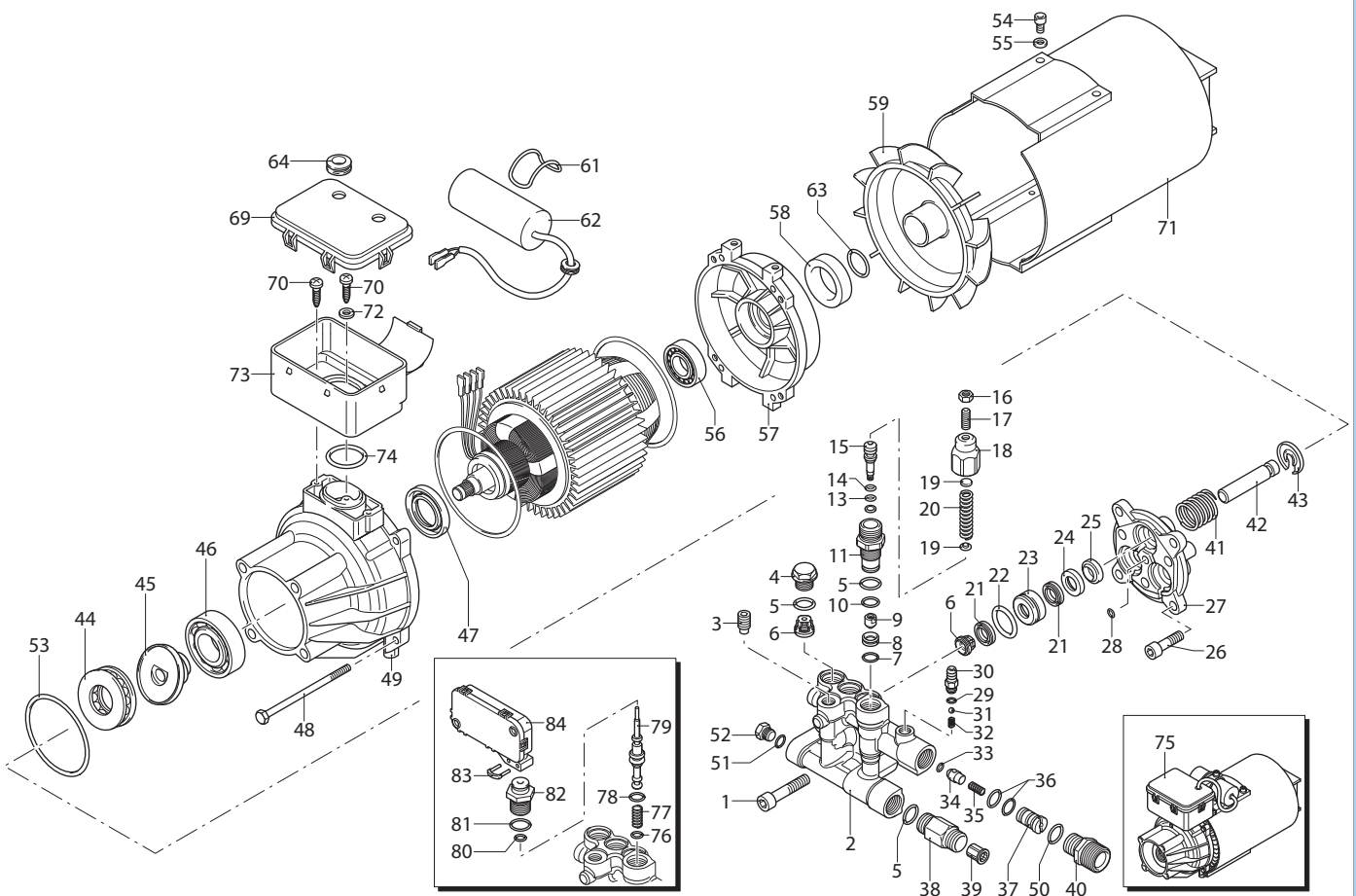


ATTENTION:
ATTENZIONE:
ACHTUNG:
ATENCIÓN:
ATTENZIONE:

- This manual must be read before beginning installation of the unit.
- Ce livret doit être lu avant d'installer et d'employer le produit.
- Das vorliegende Handbuch ist vor der Installation und dem Gebrauch des Produkts aufmerksam zu lesen.
- Este manual debe ser leído antes de proceder a la instalación y uso del producto.
- Il presente libretto va letto prima di procedere all'installazione ed uso del prodotto.

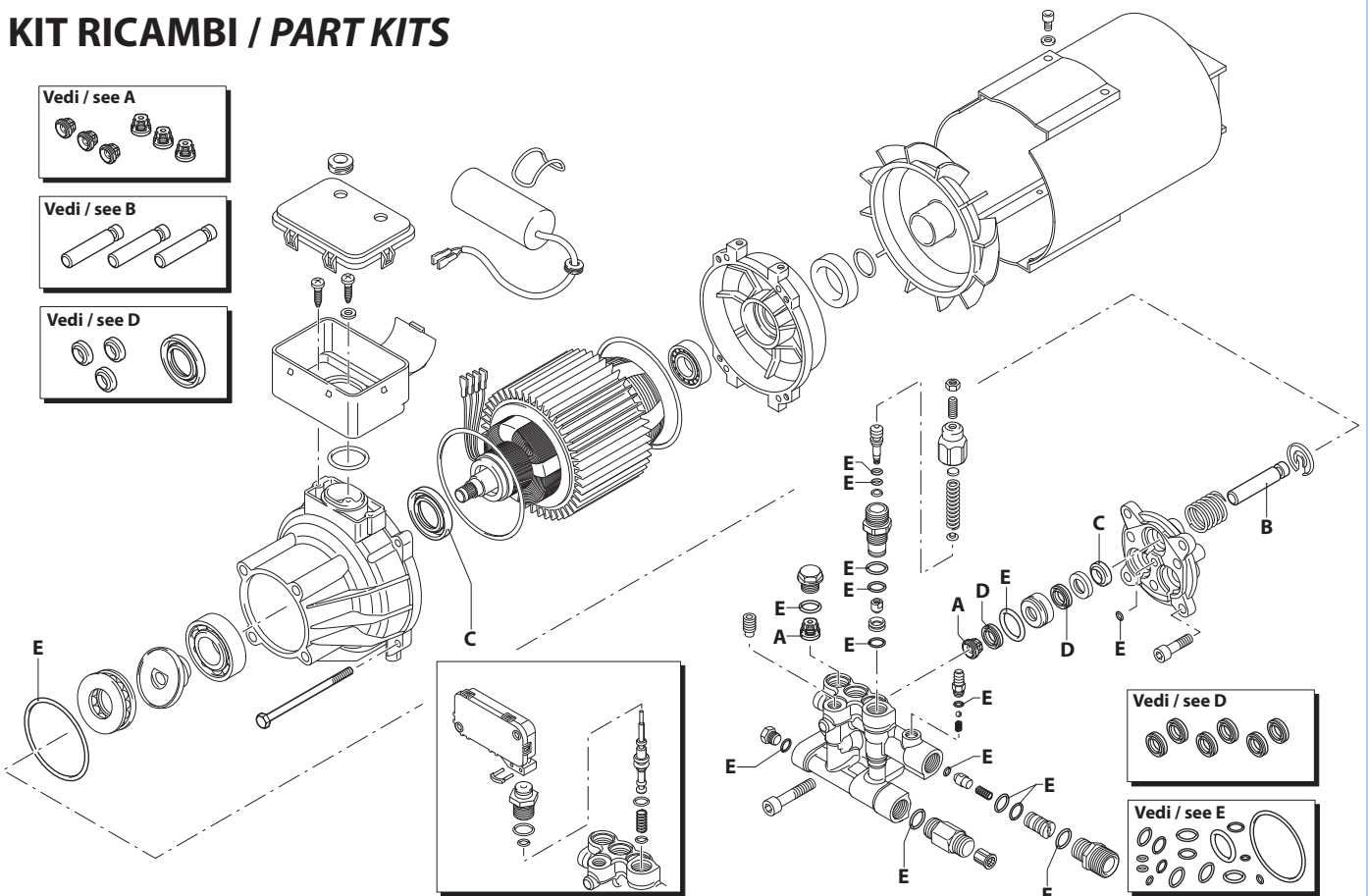


Cod. HRM-A_EX



UN003210-EX

KIT RICAMBI / PART KITS



UN003211-EX

HRM-A

MODELLO - MODEL:

6.12 REG 8.14 REG 8.14 TSS



Pos.	Cod. Part n°	Denominazione	Description	Q.tà Q.ty	Note Vedi / See	Pos.	Cod. Part n°	Denominazione	Description	Q.tà Q.ty	Note Vedi / See
1	800220	Vite TCEI M 8x40	Screw	3		43	2840050	Anello	Ring	3	
2	2900200	Testa pompa	Pump head	1		44	2900170	Cuscinetto	Bearing	1	
3	2840470	Vite STEI M 10x14	Screw	1		45	2900520	Piattello oscillante	Wobble plate	1	●
4	2840130	Tappo valvola	Plug	3		46	2900260	Piattello oscillante	Wobble plate	1	○ ▲
5	740290	OR Ø 14x1,78	O-Ring	6		47	1780490	Cuscinetto	Bearing	1	
6	2849051	Valvola completa	Complete valve	6		48	1460530	Anello tenuta	Seal ring	1	
7	1470210	OR Ø 9x1	O-Ring	1	● ○	49	1460720	Vite TE M 5x90	Screw	4	●
8	2900550	Sede	Seat	1	● ○	50	2320090	Vite TE M 5x110	Screw	4	○ ▲
9	2840760	Otturatore by pass	By-pass jet	1	● ○	51	2900010	Corpo pompa	Pump body	1	
10	820510	OR Ø 10,82x1,78	O-Ring	1	● ○	52	820510	OR Ø 10,82x1,78	O-Ring	1	
11	2840750	Guida pistone	Piston guide	1	● ○	53	880581	Tappo	Plug	1	
12	2760210	Anello antiestrusione	Ring	1	● ○	54	3040270	OR Ø 71,12x2,62	O-Ring	1	
13	660190	OR Ø 6,07x1,78	O-Ring	1	● ○	55	1460460	Vite TC M 5x16	Screw	2	
14	2260100	OR Ø 6,02x2,62	O-Ring	1	● ○	56	1680960	Rondella Øi 5,5	Washer	2	
15	2760400	Pistone	Piston	1	● ○	57	1460590	Cuscinetto	Bearing	1	
16	1980300	Dado M 6	Nut	1	● ○	58	1460040	Scudo motore	Motor shield	1	
17	392840	Grano M 6X16	Grub screw	1	● ○	59	1461200	Anello tenuta	Seal ring	1	
18	2760480	Inserto manopola	Handle insert	1	● ○	60	1460370	Ventola	Fan	1	
19	1980220	Piattello molla	Plate spring	2	● ○	61	2100840	OR Ø 56,82x2,62	O-Ring	1	●
20	2760410	Molla	Spring	1	● ○	62	2320640	OR Ø 48,89x2,62	O-Ring	1	○ ▲
21	2200141	Guarnizione	Gasket	6		63	1463040	Condensatore 25 µF	Capacitor 25 µF	1	●
22	770590	OR Ø 21,95x1,78	O-Ring	3		64	1982590	Condensatore 45 µF	Capacitor 45 µF	1	○ ▲
23	2840550	Boccola	Bushing	3		65	394280	OR Ø 12,42x1,78	O-Ring	1	
24	2840540	Boccola	Bushing	3		66	2021480	Passacavo	Gland	1	
25	1683500	Anello tenuta	Seal	3		67	2320271	Cop. scatola interr.	Switch box cover	1	
26	2900500	Vite TCEI M 8x25	Screw	1		68	2020570	Vite autof. M 4x12	Screw	3	
27	2900020	Guida pistone	Piston guide	1		69	1460340	Convogliatore	Conveyor	1	
28	480560	OR Ø 6,75x1,78	O-Ring	1	● ○	70	1262400	Rosetta Ø 4	Washer	1	
29	480480	OR Ø 4,48x1,78	O-Ring	1	▲	71	2320130	Scatola interruttore	Switch box	1	
30	480480	OR Ø 4,48x1,78	O-Ring	1		72	660170	OR Ø 31,42x2,62	O-Ring	1	
31	1982520	Portagomma	Hose tail	1		73	44306	Motore elettrico	Electric motor	1	●
32	1250280	Sfera	Ball	1		74	44307	Motore elettrico	Electric motor	1	○
33	1560520	Molla	Spring	1		75	44308	Motore elettrico	Electric motor	1	▲
34	1460430	OR Ø 4x2,5	O-Ring	1		76	600180	OR Ø 7,78x1,78	O-Ring	1	▲
35	2901070	Otturatore	Jet	1		77	2840180	Molla	Spring	1	▲
36	1080091	Molla	Spring	1		78	820510	OR Ø 10,82x1,78	O-Ring	1	▲
37	800560	OR Ø 8,73x1,78	O-Ring	2		79	2840160	Pistone TSS	TSS piston	1	▲
38	2901060	Iniettore detergente	Detergent injector	1		80	1120680	OR Ø 3,69x1,78	O-Ring	1	▲
39	2900100	Raccordo aspirazione	Suction fitting	1	3/4" NH	81	740290	OR Ø 14x1,78	O-Ring	1	▲
40	1340260	Filtro	Filter	1		82	2900130	Raccordo TSS	TSS fitting	1	▲
41	2900120	Raccordo mandata	Outlet fitting	1		83	2022200	Forcella	Clip	1	▲
42	2901170	Molla	Spring	3		84	2029753	Prem. TSS	TSS assembly	1	▲
43	2840530	Pistone	Piston	3							

KIT RICAMBI - PART KITS

A=KIT 2233 valvole valves		B=KIT 2313 pistoni pistons		C=KIT 42124 tenute olio oil seals		D=KIT 2235 tenute acqua water seals	
Pos.	Q.ty	Pos.	Q.ty	Pos.	Q.ty	Pos.	Q.ty
6	6	42	3	25 47	3 1	21	6

E=KIT 2237 OF O-Ring

Pos.	Q.ty	Pos.	Q.ty	Pos.	Q.ty	Pos.	Q.ty
5	6	22	3	51	1		
7	1	28	1	53	1		
10	1	29	1				
13	1	33	1				
14	1	36	2				
21	6	50	2				

SIMBOLOGIA - SYMBOLS

● Per / For
HRM-A
6.12 REG

○ Per / For
HRM-A
8.14 REG

▲ Per / For
HRM-A
8.14 TSS

DIMENSIONS / DIMENSIONES / ABMESSUNGEN / DIMENSIONES / DIMENSIONI