

RCA

Amplified Indoor • Outdoor Antenna

VHF • UHF



10 dB Amplification

fixed 10 dB amplification for improved reception of weak signals



Paintable

customize your antenna color to match your interior or exterior décor



Versatile

install your antenna indoors or out, just about anywhere

indoor • outdoor



TERRESTRIAL
HDTV
BROADCAST COMPATIBLE



Limited One-Year Warranty

ANT711

Table of Contents

Introduction	3
ANT711 Features	3
Before You Begin	3
Important Safety Precautions	4
Important Antenna Notes	4
Pre-installation Test	5
ANT711 Hardware	5
Mounting the Antenna	5
Lightning Protection for Exterior Mounting	6
Connecting the Antenna to Your TV	6
Coaxial Cable Installation Precautions	6
Specifications	7
Limited One-Year Warranty	7



ANT711 Amplified Indoor · Outdoor Antenna

VHF · UHF

Congratulations on your purchase of the ANT711 Amplified Indoor · Outdoor Antenna by RCA. This antenna makes bulky, unmanageable antennas a thing of the past. The ANT711 not only provides great reception, its new streamlined design is so attractive, you can use it just about anywhere inside and out. The ANT711 can be installed on your rooftop, under your eaves, in your attic, outside an apartment window, or on a wall above your TV. It's lightweight, compact and HDTV ready. And, because the ANT711 is paintable, it can match either its interior or exterior setting.

ANT711 Features

The ANT711 Amplified Indoor · Outdoor Antenna is packed with features that make it as functional as it is attractive.

- VHF/UHF/HDTV Antenna
- Built-in amplifier
- 10 dB average gain
- Paintable housing
- Multiple mounting methods, indoor or outdoors
- Easy to mount and install
- Terrestrial HDTV ready
- Lightweight and compact
- Integrated cable track and recessed coax cable
- Integrated diplexer for ultimate performance

WARNING! Use **EXTREME CAUTION** when installing an outdoor antenna close to overhead wires. If any part of the antenna makes contact with overhead power lines, touching the antenna, masting, cable or guy wires can cause electrocution and death.

Before You Begin

Please read the **Important Safety Precautions (page 4)** prior to installation. For your safety and convenience, plan each step of the installation and purchase the necessary hardware in advance. The hardware required and the order in which you perform the steps depend on the mounting and connection method you choose. If mounting on a mast, we recommend two people assemble the entire antenna on the ground. Then mount the assembled antenna on the mast for easier installation.

Important Safety Precautions

Many do-it-yourself and professional antenna installers are injured or killed each year by electric shock. While anyone can see the obvious danger of falling from a ladder, the most resourceful people sometimes fail to recognize overhead wires as being potentially lethal. Touching any part of the antenna mast or guy wire to these overhead wires results in the same shock you would receive if you touched these wires directly with your bare hands. A very serious shock is almost sure to result when contacting an electrical wire and, in the case of primary wires on the top of poles, the shock is similar to being struck by a bolt of lightning. Many power wires are within 20 to 25 feet of the ground and could easily be touched by an assembled antenna and mast.

Please read and follow these important safety precautions.

- Be sure to select an antenna site well away from all overhead wires.
- Do not try to determine which overhead wires carry high voltage. Check with the power company.
- If you notice anything making contact with the overhead wires, call the power company to have it removed safely.
- Do not run the download cable over power wires.
- Obtain help from a qualified professional when removing the old antenna if there is any doubt clearing overhead wires.
- Never install an antenna by yourself. Be sure to have at least two people available for help.
- Never install the antenna when it is windy.
- Be sure to do all assembly work on the ground; then raise the antenna.
- Make sure the antenna mast download cable is connected to a suitable lightning arrester.
- Use 8 (or larger) AWG ground wire between the mast and the ground.
- Make sure the installation is secure with the use of guy wires or other mounting hardware.
- If you lose your grip on the antenna, let it fall to the ground. Do not attempt to catch it as it may touch power lines as it falls.
- **CALL THE POWER COMPANY TO REMOVE THE ANTENNA IF IT FALLS AND TOUCHES POWER LINES. DO NOT ATTEMPT TO REMOVE IT YOURSELF.**

Important Antenna Notes

The ANT711 antenna system is designed to work properly when the power injector is connected to the antenna through a 75-ohm coaxial cable, such as RG6 or RG59.

The power injector has an indicator light to point out that

- DC power is being supplied to the antenna.
- There are no shorts in the connection between the power injector and antenna.
The coaxial cable between the power injector and the antenna is used for
- Carrying DC power from the power injector to the amplifier board in the antenna.
- Carrying the amplified TV signal from the antenna through the power injector to the video equipment.

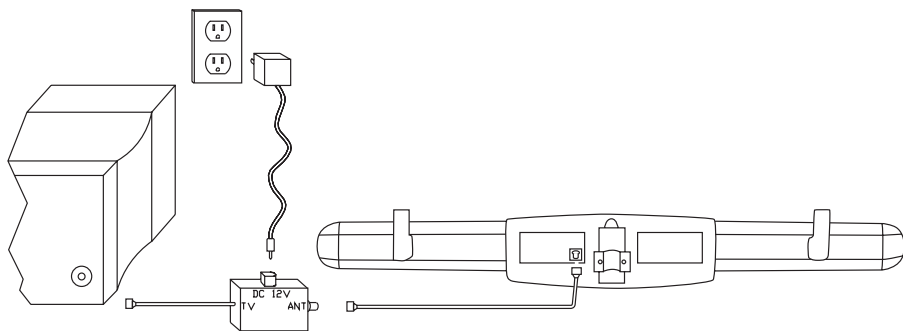
If any devices are used in your home cabling system, such as amplifiers, splitters, combiners, matching transformers or 300-ohm cable, they must be connected only between the power injector and your video equipment. Any devices connected between the power injector and the antenna might cause a short in the amplifier power source. If this happens, the injector's indicator will not light and the signals to your video equipment (multiple TVs or VCRs) may be significantly degraded.

Pre-installation Test

Perform this test before installing your antenna to ensure that the unit is working properly.

1. Connect a temporary 75-ohm cable between the power injector's F-connector and the antenna's F-connector.
NOTE: If installing new lead-in cable, use the actual cable to be used in the installation.
2. Connect the power injector's TV cable to your TV's VHF/UHF 75-ohm F-connector.
3. Insert the supplied AC adapter's small plug into the DC 12V jack on the power injector.
4. Plug the supplied AC adapter into a standard AC outlet. If the power injector's indicator lights up, the antenna is properly working.
5. Hold the antenna as close as possible to the area where it is to be mounted to check TV reception.

NOTE: Reception may change if mounted in a different location than the testing site.



ANT711 Hardware

The ANT711 antenna package includes the following items:

- ANT711 Antenna (1)
- Power injector (1)
- AC adapter (1)
- Adjustable wall mounting brackets (2)
- Screws, #8 x 1-1/2", SS Phillips pan head (4)
- Screws, #10 x 3", SS Phillips pan head (2)
- Mounting spacers (2)
- Mast bracket (1)
- Bolts, 1/4-20 x 1-1/2 SS hex head (2)
- Coaxial cable, 6ft RG6 (1)

Mounting the Antenna

Interior or Exterior Mounting To a Wall Using the Adjustable Wall Brackets

Determine the desired mounting location. Attach the adjustable brackets, and mark the wall to indicate mounting location. Attach the brackets by placing them into the slots on the rear of the antenna at the desired location. Turn counter-clockwise to tighten brackets. Attach one end of the coaxial cable to the rear F-connector of the antenna. Secure the antenna to the wall using the #8 x 1 1/2" self-tapping screws.

Interior or Exterior Mounting To a Wall Using the Spacers

Determine the desired mounting location. Mark the wall to indicate placement of antenna. Attach one end of the coaxial cable to the rear F-connector of the antenna. Secure the antenna to the wall using the #10 x 3" screws and spacers.

Mounting the Antenna (Continued)

Exterior or Attic Mounting To a Mast

Place both 1/4-20 bolts through the holes in the mast bracket. Thread into the back of the antenna. Slide the bracket over the top of the mast and tighten bolts to secure. (To prevent damage to the antenna, do not over tighten the bolts.) Raise the mast and secure it at the desired location. Then, connect the cable.

Lightning Protection for Exterior Mounting

- Mount a grounding block (not supplied) as close as possible to the point where the downlead enters the house.
- The downlead wire from the antenna to the grounding block and the mast ground wire should be secured to the house with stand-off insulators, spaced four to six feet apart.
- For a "ground-up" antenna installation, you may not need to ground the mast if it extends four or more feet into the earth.

Connecting the Antenna to Your TV

To connect the antenna to your TV, follow these steps:

1. Connect the coax downlead from the antenna to the ANT jack on the power injector.
2. If your TV has an F-connector, connect the short coaxial cable on the power injector to your TV's VHF/UHF 75-ohm F-connector.

If your TV has screw terminals for the VHF/UHF connection, connect a 75-ohm to a 300-ohm transformer (not supplied) between the power injector and the VHF/UHF terminals.

If your TV has a 75-ohm VHF connection and a 300-ohm UHF connection, connect a signal splitter (not supplied) between the power injector and the TV's VHF/UHF connections.

3. Insert the supplied AC adapter's small plug into the power injector's DC 12V jack. Then plug the adapter into a standard 120V AC outlet. The LED on the power injector lights to indicate that the antenna is properly connected.

Coaxial Cable Installation Precautions

- Do not bend the coaxial cable into less than a three-inch radius. Tighter bends can cause shorts and can change the cable's impedance.
- Do not install the coaxial cable where it will have a pulling tension greater than 15 pounds during installation. After installation, make sure there is no tension on the cable.
- Use only round-headed staples. Any clamps or securing devices used with coax should grip the cable evenly about the circumference without crushing the cable. Flat staples can damage the coaxial cable.
- Do not expose the coaxial cable to a temperature greater than 176 degrees Fahrenheit. Keep the cable away from heating vents and water heaters.
- The cable jacket withstands most outdoor environments. However, you must seal the connections and splices against water entry.

Specifications

Dimensions: 46.9" w x 5.75" h x 3" d

Operational bandwidth: VHF @ 54-88, 174-216MHz, UHF @ 470-806MHz

FM trap: Fixed @ 88-108MHz

Amplifier gain: 10 dB Average

Output impedance: 75 Ohms

Power requirement: 12V DC/120V AC, 60Hz (with supplied adapter)

Weather resistance: amplifier is conformal coated

Limited One-Year Warranty

THOMSON INC. warrants that, for one year from date of purchase, it will replace this product if found to be defective in materials or workmanship. Return it postage paid to the Product Exchange Center, 11721 Alameda Ave., Socorro, TX 79927 for prompt, no-charge replacement with a current equivalent. This replacement is THOMSON INC.'s sole obligation under this warranty. THOMSON INC. will not be responsible for any incidental or consequential damages or for any loss arising in connection with the use or inability to use this product. Some states do not allow the exclusion or limitation of incidental or consequential damages, so the above limitation or exclusion may not apply to you. This warranty excludes defects or damages due to misuse, abuse, or neglect. This warranty gives you specific legal rights, and you may also have other rights, which vary from state to state.

© 2003 THOMSON INC.
10330 N. Meridian Street,
Indianapolis, IN 46290

Trademark(s) ® Registered
Marca(s) Registrada(s)

www.rca.com

All other brands and product names
are trademarks or registered trademarks
of their respective owners.

Product specifications subject to change.