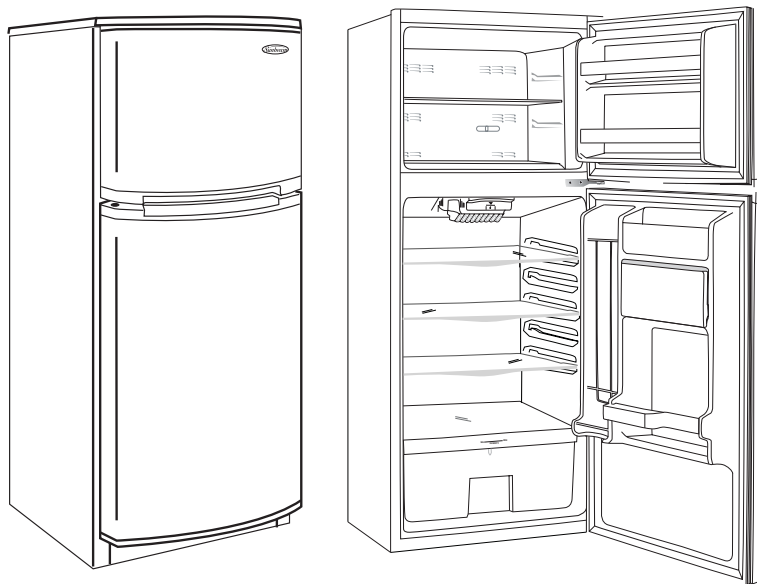




Owner's Use and Care Guide
Guide d'utilisation et soin de Propriétaire
Guía a utilizar y a cuidar del Proprietario
 Model • Modèle • Modelo
DDF258WSB



CAUTION: Read and follow all safety rules and operating instructions before first use of this product.

PRECAUTION: Veuillez lire attentivement les consignes de sécurité et les instructions d'utilisation avant l'utilisation initiale de ce produit.

PRECAUCION: Lea y observe todas las reglas de seguridad y las instrucciones de operación antes de usar este producto por primera vez.

ALL REFRIGERATOR
Owner's Use and Care Guide

- Important Safety Information
- Installation Instructions
- Features
- Door Reversal Instructions
- Care and Maintenance
- Trouble Shooting
- Warranty

..... 1-5

TOUT RÉFRIGÉRATEUR
Guide d'utilisation et soin de Propriétaire

- Consignes de Sécurité Important
- Instructions d'installation
- Caractéristiques
- Soins et entretien
- Dépannage
- Garantie

..... 6-12

TODA REFRIGERADORA
Guía a Utilizar y a Cuidar del Proprietario

- Instrucciones de Seguridad Importantes
- Instrucciones de Instalación
- Instrucciones para Invertir la Puerta
- Cuidado y Mantenimiento
- Solución Sugerida
- Garantía

..... 13-18

IMPORTANT SAFETY INFORMATION

ELECTRICAL REQUIREMENTS

This appliance must be grounded. In the event of an electrical short circuit, grounding reduces the risk of electrical shock by providing an escape wire for the electrical current.

This appliance is equipped with a cord having a grounding wire with a grounding plug. The plug must be plugged into an outlet that is properly installed and grounded.

IMPORTANT WARNING

An empty refrigerator can pose a threat to children. To render the unit harmless we strongly recommend removing the door prior to disposal.

WARNING- Improper use of the grounding plug can result in a risk of electric shock. Consult a qualified electrician or serviceman if the grounding instructions are not completely understood, or if doubt exists as to whether the appliance is properly grounded.

DO NOT USE AN EXTENSION CORD

Use an exclusive wall outlet. Do not connect your refrigerator to extension cords or together with any other appliance in the same wall outlet.

INSTALLATION INSTRUCTIONS

Remove exterior and interior packings, wipe the outside thoroughly with a soft dry cloth and the inside with a wet, lukewarm cloth. Avoid placing the cabinet in a narrow recess or near any heat source, direct sunlight, or moisture. Let air circulate freely around the cabinet. Keep the rear of the freezer 5 inches away from the wall.

Location

- 1) Select a place with a strong, level floor.
- 2) Allow 5 inches of space between the back of the freezer and any adjacent wall.
- 3) Avoid direct sunlight and heat. Direct sunlight may affect the acrylic coating. Heat sources nearby will cause higher electricity consumption.

The refrigerating system in this refrigerator is a “Frost Free” system. This type of system requires no user intervention (i.e. defrosting) other than selecting required cooling temperatures and the usual care and maintenance.

To avoid vibration, the cabinet must be set level. This is accomplished by adjusting the (2) front leveling legs, located under the refrigerator cabinet. To start the refrigerator, turn the temperature control (1-max) to the position corresponding to your desired cooling temperature.

The refrigerator temperature will vary depending on the quantity of food stored and the frequency with which the door is opened.

FEATURES

1) THERMOSTAT DIAL: For controlling the temperature inside the refrigerator/freezer. Turns the motor on as soon as the temperature rises above the desired level.

2) SEPARATE FREEZER SECTION: Holds ice cube tray and storage for frozen food.

3) ICE CUBE TRAY: Ice cubes are easily removed from the tray.

4) PLASTIC COATED SHELVES: Odor resistant, rustproof, and removable for easy cleaning.

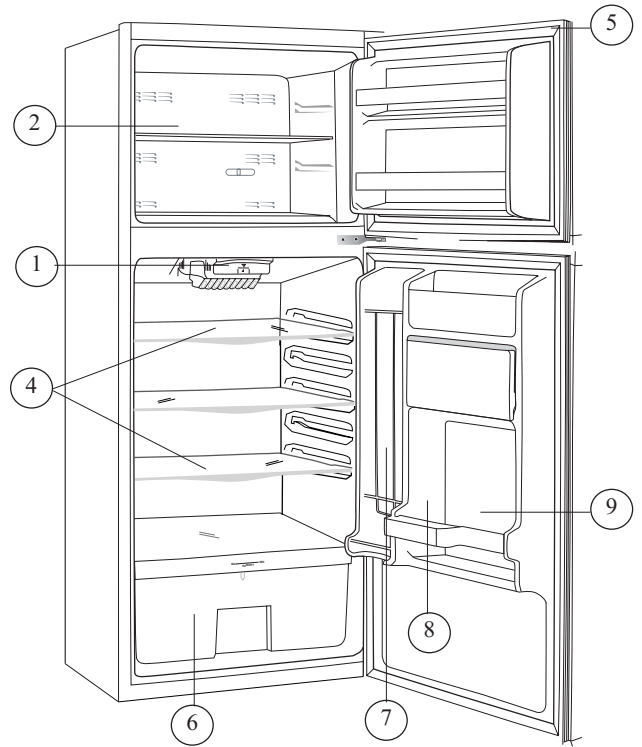
5) MAGNETIC GASKET: Tight fitting door seal keeps all the cooling power locked inside. No hooks or latches.

6) CRISPER WITH TEMPERED-GLASS SHELF: Easy interior viewing.

7) CANSTOR™ DOOR LINER: Holds 355mL cans of pop, juice, or beer.

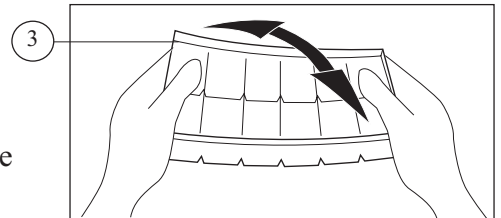
8) GALLON DOOR STORAGE: Can be adjusted to hold smaller items with slide in rail.

9) 2 LITER BOTTLE STORAGE: Holds 2 Liter bottles.



ICE CUBE TRAY

The Ice Cube Tray is flexible. Twist tray to remove the ice cubes. If the ice cube tray is frozen solid to the evaporator surface, run a little water over the tray. Never use a knife or other metal instruments to remove the ice cube tray, as this may damage the evaporator.



LIGHT BULB REPLACEMENT

To replace the refrigerator light bulb:

- 1) Remove the screw from the light bulb cover.
- 2) Pull the light bulb cover downward
- 3) Unscrew the bulb.
- 4) Replace with standard 40 watt appliance bulb ONLY.

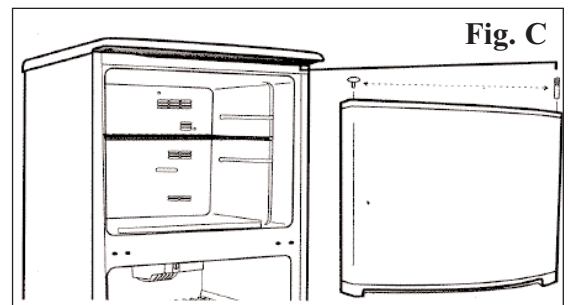
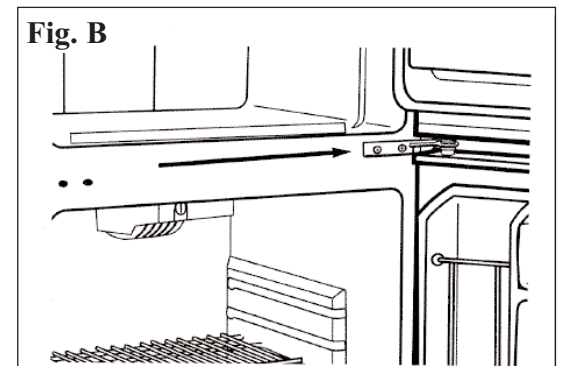
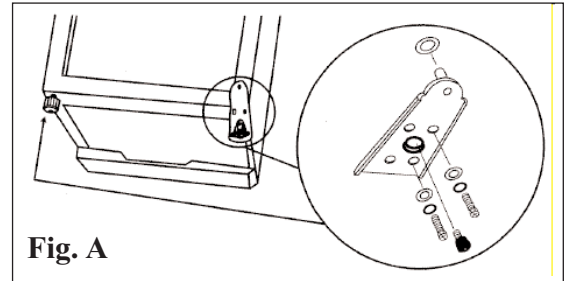
DOOR REVERSAL INSTRUCTIONS

CAUTION

To avoid personal injury to yourself and/or property, we recommend someone assists you during the door reversal process.

- 1) To access the lower hinge assembly, tilt back the refrigerator cabinet or lay the refrigerator on its back (Fig. A).
- 2) Remove both leveling legs located at the front of the cabinet.
- 3) Remove the screws holding the lower hinge assembly to the cabinet (Fig. A).
- 4) Remove the main door assembly from the refrigerator cabinet (open door and pull down).
- 5) Remove the screws from the middle hinge assembly. Then remove the hinge and freezer door (Fig. B).
- 6) Remove (unscrew) the top hinge pin (Fig. C).
- 7) Re-install the main door top hinge pin on the opposite side of the cabinet (Fig. C).
- 8) Remove the door plug and door bushing located on the top and bottom of each door assembly (Fig. B).
- 9) Interchange positions (ie. door plug right side, door bushing left side).
- 10) Re-install freezer door assembly on cabinet.
- 11) Re-install the middle hinge assembly on the opposite side.
- 12) Make sure the door assembly is properly aligned on the cabinet before tightening the hinge screws.
- 13) Re-install the main door assembly on the cabinet.
- 14) Re-install the lower hinge assembly on the opposite side, making sure to change the bushing and screw on the opposite sides on the bottom of unit.
- 15) Make sure the door assembly is properly aligned on the cabinet before tightening lower hinge screws.
- 16) Re-install both leveling legs.

THE PROCESS IS NOW COMPLETE.



CARE AND MAINTENANCE

Cooling System

This refrigerator is inclusive of a “Frost Free” type cooling system, which means you never have to defrost the freezer compartment. Defrosting is done automatically by means of a defrost heating element and a defrost timer factory-programmed to operate (cycle) approximately every 8 hours. The defrost water is routed into a defrost pan located directly above the compressor, where it then evaporates.

Cleaning

Before cleaning the refrigerator or freezer, always disconnect the refrigerator from the power supply. To clean the inside, use a soft cloth and a solution of a tablespoon baking soda to one quart (4 cups) of water, or a mild soap suds solution or mild detergent. Wash ice cube tray, drip tray, and glide out shelves in a mild detergent solution, then wipe dry with a soft cloth. Clean the outside with a damp soft cloth and some mild detergent or appliance cleaner.

Setting the Thermostat

The thermostat setting can be adjusted from 1 (minimum setting) through Maximum (coldest setting). We recommend setting the thermostat at 4 (medium setting). However, if you find this setting inadequate for your cooling requirements, adjust as needed by rotating the thermostat dial. The thermostat dial is located on the front top section of the refrigerator compartment. The thermostat controls temperature for both the freezer and refrigerator compartments.

Vacation Time

For short vacation periods, leave the control knob at the usual setting. During longer absences;

- a) remove all food
- b) disconnect from electrical outlet
- c) clean the refrigerator thoroughly, including defrost pan.

Power Failure

Most power failures are corrected within an hour or two, and will not affect your refrigerator temperatures. However, you should minimize the number times you open the door while the power is off. During power failures of longer duration, take steps to protect your food, for example, by placing dry ice on top of packages.

If You Move

Remove, or securely fasten down, all loose items inside the refrigerator. To avoid damaging the leveling legs, turn them all the way into the base.

Some Important Rules for the Correct Use of the Refrigerator

- Never place hot foods in the refrigerator
- Beverages should be stored in sealed containers
- Foods to be stored for a long time should be wrapped in cellophane or polyethylene, or kept in glass containers. Never place spoiled food in the cabinet.
- Don't overload the cabinet
- Don't open the door unless necessary
- Should the refrigerator be stored without use for long periods, it is suggested, after careful cleaning, to leave the door ajar to allow the air to circulate inside the cabinet in order to avoid the possible formations of condensate, mold, or odors.

Food Storage Suggestions: Fresh Food Compartment

- Never cover food compartment shelves with aluminum foil or any other shelf covering material which may prevent air circulation.
- Always remove porous store wrapping paper from meats, poultry, and fish. Meats should be wrapped individually and placed in a dish for storage. Wrap fish and poultry in foil or heavy waxed paper. Most fish should be used the same day of purchase. Packaged meats such as ham, bacon, dried beef, or frankfurter, store best in their original packages.
- Allow warm foods to cool to room temperature before placing them in the refrigerator.
- Always cover open dishes of food, especially leftovers. Use leftovers within 2 or 3 days.

Vegetable Crisper

The tray at the bottom of the refrigerator is covered to retain moisture. The crisper compartment will enable you to store vegetables and fruits which would otherwise dry out rapidly. The humidity level inside the crisper drawer can be controlled by adjusting the “damper” control (white slider) located on the front of the drawer.

TROUBLESHOOTING

Occasionally, a problem may arise that is minor in nature, and a service call may not be necessary. Use this troubleshooting guide for a possible solution. If the unit continues to operate improperly, call an authorized service depot or Danby's Toll Free Number for assistance.

PROBLEM	POSSIBLE CAUSE	SOLUTION
1) Unit does not work.	<ul style="list-style-type: none"> • No power to unit. • Power cord is unplugged. • Wrong voltage is being used. 	<ul style="list-style-type: none"> • Check connection of power cord at power source. • Plug in unit. • Use proper voltage.
2) Refrigerator running too frequently.	<ul style="list-style-type: none"> • Temperature control too high. • Door not closed. • Hot food inserted. • Doors open too long/often. • Close proximity to heat source or direct sunlight. 	<ul style="list-style-type: none"> • Check/adjust settings as needed. • Close the door securely. • Cool food before inserting. • Minimize door openings/duration. • DO NOT place unit close to heat sources or in direct sunlight.
3) Internal Temperature too cold.	<ul style="list-style-type: none"> • Temperature control too high. 	<ul style="list-style-type: none"> • Check/adjust settings as needed.
4) Internal Temperature not cold enough.	<ul style="list-style-type: none"> • No power to unit. • Power cord is unplugged. • Wrong voltage is being used. • Temperature control too low. • Hot food inserted. • Doors open too long/often. • Air flow obstruction. • Close proximity to heat source or direct sunlight. 	<ul style="list-style-type: none"> • Check connection of power cord at power source. • Plug in unit. • Use proper voltage. • Check/adjust settings as needed. • Cool food before inserting. • Minimize door openings/duration. • Allow room for air to circulate around the unit. • DO NOT place unit close to heat sources or in direct sunlight.
5) Freezer not cold enough.	<ul style="list-style-type: none"> • Temperature control too low. • Door not closed. • Hot food inserted. • Doors open too long/often. • Wrong voltage is being used. 	<ul style="list-style-type: none"> • Check/adjust settings as needed. • Close door securely. • Cool food before inserting. • Minimize door openings/duration. • Use proper voltage.
6) Light will not work.	<ul style="list-style-type: none"> • No power to unit. • Power cord is unplugged. • Bulb is loose/needs replacing. • Door switch is stuck. 	<ul style="list-style-type: none"> • Check connection of power cord to power source. • Plug in unit. • Tighten or replace bulb. • Check the switch for obstructions, clean if necessary.



LIMITED IN-HOME APPLIANCE WARRANTY

This quality product is warranted to be free from manufacturer's defects in material and workmanship, provided that the unit is used under the normal operating conditions intended by the manufacturer.

This warranty is available only to the person to whom the unit was originally sold by Danby Products Limited (Canada) or Danby Products Inc. (U.S.A.) (hereafter "Danby") or by an authorized distributor of Danby, and is non-transferable.

TERMS OF WARRANTY

Plastic parts, are warranted for thirty (30) days only from purchase date, with no extensions provided.

First Year During the first twelve (12) months, any functional parts of this product found to be defective, will be repaired or replaced, at warrantor's option, at no charge to the ORIGINAL purchaser.

To obtain Service Danby reserves the right to limit the boundaries of "In Home Service" to the proximity of an Authorized Service Depot. Any appliance requiring service outside the limited boundaries of "In Home Service", it will be the consumer's responsibility to transport the appliance (at their own expense) to the original retailer (point of purchase) or a service depot for repair. See "Boundaries of In Home Service" below. Contact your dealer from whom your unit was purchased, or contact your nearest authorized Danby service depot, where service must be performed by a qualified service technician.

If service is performed on the units by anyone other than an authorized service depot, or the unit is used for commercial application, all obligations of Danby under this warranty shall be void.

Boundaries of In Home Service If the appliance is installed in a location that is 100 kilometers (62 miles) or more from the nearest service center your unit must be delivered to the nearest authorized Danby Service Depot, as service must only be performed by a technician qualified and certified for warranty service by Danby. Transportation charges to and from the service location are not protected by this warranty and are the responsibility of the purchaser.

Nothing within this warranty shall imply that Danby will be responsible or liable for any spoilage or damage to food or other contents of this appliance, whether due to any defect of the appliance, or its use, whether proper or improper.

EXCLUSIONS

Save as herein provided, Danby, there are no other warranties, conditions, representations or guarantees, express or implied, made or intended by Danby or its authorized distributors and all other warranties, conditions, representations or guarantees, including any warranties, conditions, representations or guarantees under any Sale of Goods Act or like legislation or statute is hereby expressly excluded. Save as herein provided, Danby shall not be responsible for any damages to persons or property, including the unit itself, howsoever caused or any consequential damages arising from the malfunction of the unit and by the purchase of the unit, the purchaser does hereby agree to indemnify and hold harmless Danby from any claim for damages to persons or property caused by the unit.

GENERAL PROVISIONS

No warranty or insurance herein contained or set out shall apply when damage or repair is caused by any of the following:

- 1) Power failure.
- 2) Damage in transit or when moving the appliance.
- 3) Improper power supply such as low voltage, defective house wiring or inadequate fuses.
- 4) Accident, alteration, abuse or misuse of the appliance such as inadequate air circulation in the room or abnormal operating conditions (extremely high or low room temperature).
- 5) Use for commercial or industrial purposes (ie. If the appliance is not installed in a domestic residence).
- 6) Fire, water damage, theft, war, riot, hostility, acts of God such as hurricanes, floods etc.
- 7) Service calls resulting in customer education.
- 8) Improper Installation (ie. Building-in of a free standing appliance or using an appliance outdoors that is not approved for outdoor application).

Proof of purchase date will be required for warranty claims; so, please retain bills of sale. In the event warranty service is required, present this document to our AUTHORIZED SERVICE DEPOT.

Danby Products Limited
PO Box 1778, 5070 Whitelaw RD, Guelph, Ontario, Canada N1H 6Z9
Telephone: (519) 837-0920 FAX: (519) 837-0449

1-800-263-2629

DNB060809
04/09

Danby Products Inc.
PO Box 669, 101 Bentley Court, Findlay, Ohio, U.S.A. 45839-0669
Telephone: (419) 425-8627 FAX: (419) 425-8629

CONSIGNES DE SÉCURITÉ IMPORTANT

CONSIGNES DE MISE À LA TERRE

Cet appareil doit être mis à la terre. En cas de court-circuit, la mise à la terre réduit les risques de décharge électrique en fournissant un échappatoire au courant électrique. L'appareil est muni d'un cordon électrique comprenant un fil de mise à la terre et une fiche de terre.

Branchez la fiche dans une prise de courant correctement installée et mise à la terre.

PRÉCAUTION IMPORTANTE: Un réfrigérateur vide est une attraction dangereuse aux enfants. Enlever les joints étanches, les loquets, les couvercles ou les portes des appareils qui ne sont pas utilisés, ou faites de sorte que l'appareil ne présente aucun danger.

Avvertissement: Consultez un électricien ou un technicien qualifié si vous ne comprenez pas bien les

instructions de mise à la terre ou si vous avez un doute quelconque sur la bonne mise à la terre de l'appareil.

N'UTILISER JAMAIS DE FIL DE RALLONGE. S'il est possible, branchez le réfrigérateur à son propre circuit. Ainsi, les autres appareils ou la surcharge des lampes du domicile ne peuvent pas surcharger et interrompre le courant électrique. Une connexion desserrée peut se doubler à un autre appareil dans la même prise murale.

INSTRUCTIONS D'INSTALLATION

Enlevez les emballages extérieurs et intérieurs. Essuyez complètement l'extérieur avec un linge doux sec et l'intérieur avec un linge humide tiède. Il ne faut jamais situer l'appareil dans un recoin étroit, proche d'une source d'air chaude. L'air doit circuler à l'entour de l'appareil. Éloigner le réfrigérateur au moins 5 pouces du mur.

Emplacement

- 1) Choisir une place qui a un plancher fort et à niveau.
- 2) Éloigner l'appareil de 5 pouces des murs arrière et de côté.
- 3) Éviter les rayons de soleil et la chaleur directs qui peuvent affecter la surface en acrylique. Les sources de chaleur rapprochées augmentent la consommation d'énergie.

Le système de réfrigération de ce réfrigérateur est **“sans givre”**. Ce type de système n'exige aucune intervention telle que la décongélation par l'utilisateur autre que le choix de température de réfrigération. Peut être réglé pour les plus petits contenants. Pour éviter la vibration, l'appareil doit être absolument horizontal. Les deux premiers pieds de nivellement au dessous de réfrigérateur peuvent être ajustés. Pour mettre le réfrigérateur en marche, tourner la commande de température jusqu'au refroidissement désiré (la max.). La température de réfrigérateur variera dépendant de la quantité de nourriture et la fréquence avec laquelle la porte est ouverte.

CARACTÉRISTIQUES

1) CADRAN DU THERMOSTAT: Règle la température intérieure du réfrigérateur/congelateur. Met le moteur en marche dès que la température dépasse le niveau désiré.

2) SECTION SÉPARÉE POUR LA CONGÉATION: Contient les moules à glaçons et petits articles.

3) MOULE À GLAÇONS: Démoulage facile des glaçons.

4) CLAYETTES PLASTIFIÉES: Résistent aux odeurs et à la rouille. Amovibles pour faciliter l'entretien.

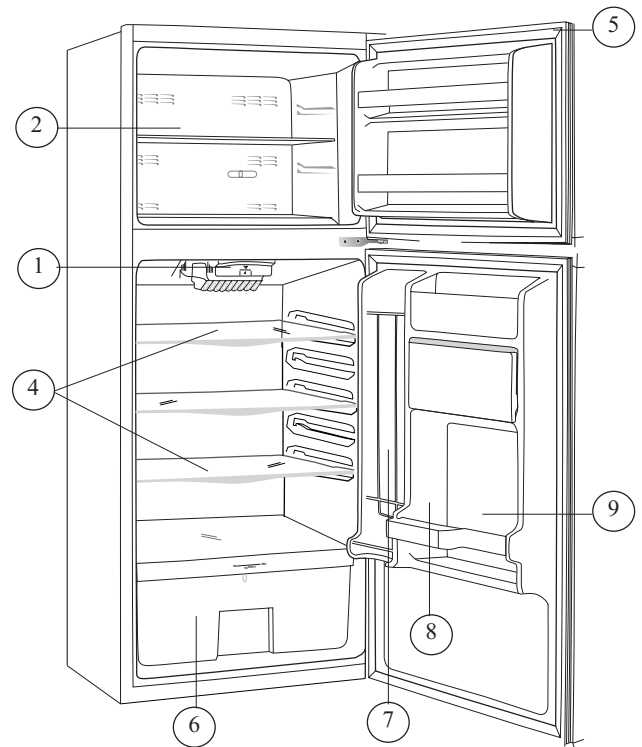
5) JOINT ÉTANCHE MAGNETIQUE: Le joint étanche empêche l'air frais de s'échapper.

6) BAC À LÉGUMES AVEC CLAYETTE EN PLEXIGLAS: Facile de voir des contenus.

7) PAROI DE PORTE CANSTOR™: Range les boîtes de boisson gazeuse, jus ou bière de 355 mL.

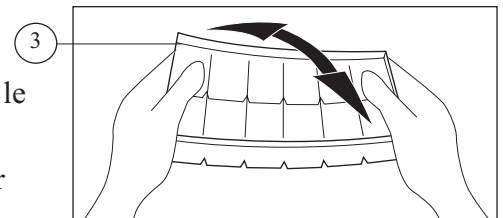
8) STOCKAGE DE PORTE DE GALLON: Peut être ajusté pour tenir de plus petits articles avec la glissière dans le rail.

9) RANGEMENT DE PORTE POUR CONTENANT DE 2 LITRES: Contient des bouteilles de 2 litres.



MOULE À GLAÇONS

Le moule à glaçons est flexible. Tourner-le pour enlever les glaçons. Si le moule est surgelé et colle à la surface de l'évaporateur, verser un peu d'eau tiède. Ne jamais utiliser de couteaux ou d'autres instruments en métal pour enlever le moule à glaçons car ceux-ci peuvent endommager l'évaporateur.



CHANGEMENT DE L'AMOULE

Pour remplacer l'ampoule intérieure du réfrigérateur:

1) Enlever la vis du couvercle de l'ampoule.

2) Basculer le couvercle de l'ampoule vers le bas.

3) Dévisser l'ampoule.

4) Remplacer l'ampoule par une ampoule standard de 40 watts pour appareil ménager seulement.

INSTRUCTIONS DE PORTE REVERSIBLE

ATTENTION Pour éviter de se blesser ou endommager l'appareil, on vous recommande d'avoir quelqu'un vous aide pendant ce processus.

- 1) Pour avoir accès la charnière inférieure, incliner le réfrigérateur ou verser le sur son dos (Fig.A).
- 2) Enlever les deux pattes de nivellement situées sur le devant de réfrigérateur.(Fig.A)
- 3) Enlever les vis qui joignent le montage sur le devant de réfrigérateur (Fig.A).
- 4) Enlever le montage de la porte principale du réfrigérateur (ouvrir la porte et tirer vers la bas).
- 5) Enlever les vis de la charnière du centre de la porte. Enlever la charnière et la porte du congélateur (Fig. B).
- 6) Enlever (devisser) le goujon de la charniere supérieur (Fig. C).
- 7) Réinstaller le goujon de la charnière supérieur sur le côté opposé du réfrigérateur (Fig. C).
- 8) Enlever les couvercle de goujon et le coussinet de porte situés sur les dessus et dessous de chaque montage de porte.
- 9) Interchanger les positions (mettre le couvercle de goujon sur le côté droit, coussinet de porte au côté gauche).
- 10) Réinstaller le montage de la porte du congelateur sur le réfrigérateur.
- 11) Réinstaller le montage de la charnière centrale de la porte sur le côté opposés.
- 12) S'assurer que l'installation de la porte est bien alignée sur le réfrigérateur avant de resserrer les vis des charnières.
- 13) S'assurer que l'installation de la porte est bien alignée sur le réfrigérateur avant de resserrer les vis des charnières.
- 14) Réinstaller le montage de charniere inférieure sur le côté opposé en s'assurant d'interchanger le coussinet et la vis sur les cotés opposés.
- 15) S'assurer que le montage de la porte est bien aligné sur le réfrigérateur avant de resserrer les vis de charniere inferieure.
- 16) Réinstaller les deux pattes de nivellement.

LE PROCÉDÉ EST MAINTENANT COMPLÉTÉ.

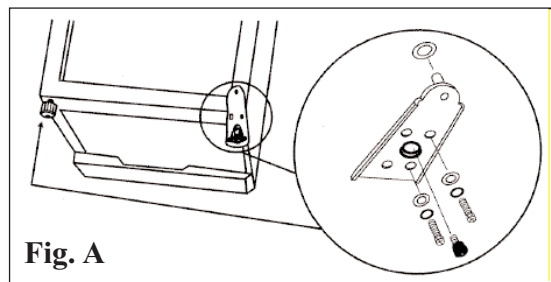


Fig. A

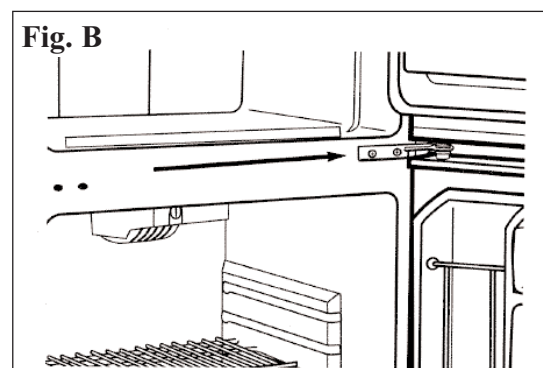


Fig. B

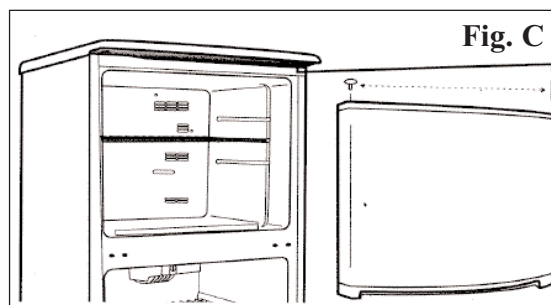


Fig. C

SOINS ET ENTRETIEN

Systeme de refroidissement

Ce réfrigérateur comprend un système de réfrigération <<sans givre>>, ce qui signifie que vous n'aurez jamais besoin de dégivrer le congélateur. Le dégivrage se fait automatiquement à l'aide d'un élément chauffant de dégivrage et d'un chronomètre de dégivrage programme à l'usine pour se mettre en marche à huit (8) heures d'intervalle environ. L'eau produite lors du dégivrage est acheminée vers un plateau de dégivrage situé directement au-dessus du compresseur, si bien qu'elle s'évapore.

Entretien

Avant de nettoyer le réfrigérateur ou le congélateur, débranchez toujours le réfrigérateur de la source d'alimentation électrique. Pour nettoyer l'intérieur, utilisez un chiffon doux et une solution comprenant une cuillère à savon de poudre à pâte par pinte d'eau ou une solution d'eau et de savon doux ou un détergent doux. Lavez le bac à glaçons, le plateau ramasse-gouttes et les étagères dans une solution de détergent doux; séchez-les et essuyez-les à l'aide d'un chiffon doux. Nettoyez l'extérieur à l'aide d'un chiffon doux et de détergent doux ou d'un produit de nettoyage des appareils électroménagers.

Reglage du thermostat

Le thermostat peut être réglé de 1 (min.) au maximum (réglage le plus froid). Nous vous recommandons un réglage à 4 (intermédiaire). Mais si vous trouvez que ce réglage ne convient pas en fonction de vos besoins, faites le réglage voulu en tournant le bouton du thermostat. Le cadran du thermostat se trouve à l'avant du logement du réfrigérateur. Le thermostat contrôle la température du congélateur et du réfrigérateur.

Pendant les vacances

Si vous prenez des vacances d'un mois ou moins, ne touchez pas à la commande du thermostat. Pendant les vacances plus prolongées:

- a) enlever tous les aliments
- b) débrancher l'appareil
- c) nettoyer tout le réfrigérateur, y compris le bac d'écoulement
- d) laisser la porte ouverte pour éviter les mauvaises odeurs.

Panne d'électricité

La plupart des pannes d'électricité sont corrigées dans un délai d'une heure et n'ont pas d'effets sur la température de réfrigérateur. Il est nécessaire de réduire le nombre d'ouvertures de la porte pendant une panne. Pendant les pannes qui durent plus qu'une heure, protéger vos aliments en déposant un bloc de glace sèche par-dessus les emballages. Si la glace n'est pas disponible, essayer d'utiliser temporairement de l'espace de votre entrepôt à froid régional.

Déménagement

Enlever ou immobiliser toutes les pièces amovibles (c'-a-d; les clayettes) à l'intérieur du réfrigérateur et du congélateur. Serrer les vis à nivellement à la base afin de ne pas les endommager.

IMPORTANTES CONSIGNES DE SÉCURITÉ POUR L'UTILISATION DU RÉFRIGÉRATEUR

- Ne jamais ranger d'aliments chauds dans le réfrigérateur.
- Ranger les breuvages dans des contenants étanches.
- Pour le rangement à longue durée, envelopper les aliments dans une pellicule cellophane ou polyéthylène, ou des contenants en verre. Ne jamais ranger d'aliments variés dans l'appareil.
- Ne jamais surcharger l'appareil.
- Ouvrir la porte seulement si nécessaire.
- Pour un rangement prolongé de l'appareil, il est suggéré de laver l'appareil, de laisser la porte ouverte afin de fournir une circulation d'air à l'intérieur de meuble et d'éviter le développement de condensation, de moisissures et d'odeurs.

Rangements des aliments: Compartiments pour Aliments Frais-

- Ne jamais recouvrir les clayettes du compartiment de papier d'aluminium ou autres matériaux car ceci peut empêcher la circulation d'air.
- Enlever toujours les emballages perméables du marchand qui recouvrent la viande, volaille et le poisson. Les viandes doivent être emballées individuellement, et déposées dans un récipient pour le rangement. Emballer la volaille ou le poisson dans du papier aluminium ou de papier cire épais. Faites cuire la plupart de sorte de poisson le jour de l'achat. Les viandes emballées par le marchand, telles que le jambon, le bacon, le bœuf sec, ou les saucisses fumées se rangent très bien leur emballage.
- Laisser refroidir les aliments à la température de la pièce avant de les ranger dans le réfrigérateur.
- Toujours recouvrir les aliments, surtout les restants. Utiliser les restants avant 2 à 3 jours.

Bac à légumes et à fruits

Le plateau situé à bas du réfrigérateur est couvert pour conserver l'humidité. Le bac à légumes et à fruits vous permet de conserver les légumes et les fruits qui se dessècheraient rapidement autrement. Le niveau d'humidité à l'intérieur du bac à légumes et à fruits peut être contrôlé à l'aide de la commande d'humidité (bouton coulissant blanc) situé à l'avant du bac.

DÉPANNAGE

En temps de temps, le problème est mineur et n'exige pas un appel de service. Utilisez ce guide pour trouver des solutions. Si l'appareil ne fonctionne toujours pas, appelez un dépôt de service autorisé ou le numéro de téléphone sans frais Danby pour de plus amples renseignements.

PROBLEME	CAUSE PROBABLE	SOLUTION
1) Ne fonctionne pas.	<ul style="list-style-type: none"> • L'appareil n'est pas alimenté. • Le cordon d'alimentation n'est pas branché. • La source d'alimentation n'est pas appropriée. 	<ul style="list-style-type: none"> • Vérifiez que l'appareil est branché à la source d'alimentation. • Branchez la fiche. • Utilisez la tension appropriée.
2) Refroidit trop souvent.	<ul style="list-style-type: none"> • La commande de température est réglée à une position trop élevée. • La porte n'est pas fermée. • Des aliments chauds y ont été rangés. • La porte est ouverte trop souvent / longtemps. • L'appareil est trop proche d'une source de chaleur ou des rayons du soleil. 	<ul style="list-style-type: none"> • Vérifiez que la commande est réglée à la bonne position. • Fermez bien la porte. • Assurez-vous que les aliments sont refroidis avant de les ranger. • Ne gardez pas la porte ouverte trop longtemps. • Ne suivez pas l'appareil trop près d'une source de chaleur.
3) Température interne trop froid.	<ul style="list-style-type: none"> • La commande du thermostat est à une position trop haute. 	<ul style="list-style-type: none"> • Vérifiez la position de la commande et réglez de nouveau.
4) Température interne pas assez froid.	<ul style="list-style-type: none"> • L'appareil ne reçoit aucun pouvoir. • Le cordon d'alimentation n'est pas branché. • La commande de température est réglée à une position trop basse. • La porte n'est pas fermée. • Des aliments chauds y ont été rangés. • Obstructions à la circulation d'air. • La source d'alimentation n'est pas appropriée. • L'appareil est trop proche d'une source de chaleur ou des rayons du soleil. 	<ul style="list-style-type: none"> • Vérifier que l'appareil est branché à la source d'alimentation. • Branchez la fiche. • Vérifiez la position de la commande et réglez de nouveau. • Fermez bien la porte. • Assurez-vous que les aliments sont refroidis avant de les ranger. • Laissez assez d'espace pour la circulation d'air. • Utilisez la tension appropriée. • Ne suivez pas l'appareil trop près d'une source de chaleur.
5) Congélateur pas assez froid.	<ul style="list-style-type: none"> • La commande est à une position trop basse. • La porte n'est pas fermée. • Des aliments chauds y ont été rangés. • La source d'alimentation n'est pas appropriée. 	<ul style="list-style-type: none"> • Vérifiez la position de la commande et réglez de nouveau. • Fermez bien la porte. • Assurez-vous que les aliments sont refroidis avant de les ranger. • Utilisez la tension appropriée.
6) Lampe ne fonctionne pas.	<ul style="list-style-type: none"> • L'appareil n'est pas alimenté. • Le cordon d'alimentation n'est pas branché. • La lampe n'est pas bien vissée, doit être remplacée ou l'interrupteur sur la porte est collé. 	<ul style="list-style-type: none"> • Vérifiez que l'appareil est branché à la source d'alimentation. • Branchez la fiche. • Serrez ou changez la lampe. Vérifiez que l'interrupteur n'est pas collé et est propre.



GARANTIE LIMITÉE SUR APPAREIL ÉLECTROMÉNAGER À DOMICILE

Cet appareil de qualité est garanti exempt de tout vice de matière première et de fabrication, s'il est utilisé dans les conditions normales recommandées par le fabricant.

Cette garantie n'est offerte qu'à l'acheteur initial de l'appareil vendu par Danby Products Limited (Canada) ou Danby Products Inc. (E.- U. d'A) (ci-après "Danby") ou par l'un des ses distributeurs agréés et elle ne peut être transférée.

CONDITIONS

Les pièces en plastique sont garanties pour trente (30) jours seulement à partir de la date de l'achat, sans aucune prolongation prévue.

Première 12 mois Pendant les douze (12) mois, toutes pièces fonctionnelles de ce produit s'avèrent défectueuses, seront réparées ou remplacées, selon le choix du garant, sans frais à l'acheteur INITIAL.

Pour bénéficier du Service Le client sera responsable pour le transport et tous les frais d'expédition de tout appareil exigeant le service au dépôt de service autorisé le plus proche. S'adresser au détaillant qui a vendu l'appareil, ou à la station technique agréée de service la plus proche, où les réparations doivent être effectuées par un technicien qualifié. Si les réparations sont effectuées par quiconque autre que la station de service agréée ou à des fins commerciales, toutes les obligations de Danby en vertu de cette garantie seront annulées.

Limites de l'entretien à domicile Si l'appareil est installé à plus de 100 kilomètres (62 milles) du centre de service le plus proche, il doit être livré à l'atelier de réparation autorisé par Danby le plus proche, car l'entretien doit uniquement être réalisé par un technicien qualifié et certifié pour effectuer un entretien couvert par la garantie de Danby. Les frais de transport entre votre domicile et le lieu de l'entretien ne sont pas couverts par la présente garantie et doivent être acquittés par l'acheteur.

Cette garantie indique en aucun temps la responsabilité de Danby de l'avarie ou dommage de la vin ou autre contenu, soit par les vices de l'appareil, ou soit par l'utilisation convenable ou inexacte.

EXCLUSIONS

En vertu de la présente, il n'existe aucune autre garantie, condition ou représentation, qu'elle soit exprimée ou tacite, de façon manifeste ou intentionnelle, par Danby ou ses distributeurs agréés. De même, sont exclues toutes les autres garanties, conditions ou représentations, y compris les garanties, conditions ou représentations en vertu de toute loi régissant la vente de produits ou de toute autre législation ou règlement semblables.

En vertu de la présente, Danby ne peut être tenue responsable en cas de blessures corporelles ou des dégâts matériels, y compris à l'appareil, quelle qu'en soit les causes. Danby ne peut pas être tenue responsable des dommages indirects dus au fonctionnement défectueux de l'appareil. En achetant l'appareil, l'acheteur accepte de mettre à couvert et de dégager Danby de toute responsabilité en cas de réclamation pour toute blessure corporelle ou tout dégât matériel causé par cet appareil.

CONDITIONS GÉNÉRALES

La garantie ou assurance ci-dessus ne s'applique pas si les dégâts ou réparations sont dus aux cas suivants:

- 1) Panne de courant.
- 2) Dommages subis pendant le transport ou le déplacement de l'appareil.
- 3) Alimentation électrique incorrecte (tension faible, câblage défectueux, fusibles incorrects).
- 4) Accident, modification, emploi abusif ou incorrect de l'appareil tel qu'une circulation d'air inadéquate dans la pièce ou des conditions de fonctionnement anormales (température extrêmement élevée ou basse).
- 5) Utilisation dans un but commercial ou industriel (à savoir, si l'appareil n'est pas installé dans un domicile résidentiel).
- 6) Incendie, dommages causés par l'eau, vol, guerre, émeute, hostilités, cas de force majeure (ouragan, inondation, etc.).
- 7) Visites d'un technicien pour expliquer le fonctionnement de l'appareil au propriétaire.
- 8) Installation inappropriée (par exemple, encastrement d'un appareil autoportant, ou utilisation extérieure d'un appareil non conçu à cet effet).

Une preuve d'achat doit être présentée pour toute demande de réparation sous garantie. Prière de garder le reçu. Pour faire honorer la garantie, présenter ce document à la station technique agréée ou s'adresser à:

Danby Products Limited
PO Box 1778, 5070 Whitelaw RD, Guelph, Ontario, Canada N1H 6Z9
Telephone: (519) 837-0920 FAX: (519) 837-0449

1-800-263-2629

DNB060809
04/09

Danby Products Inc.
PO Box 669, 101 Bentley Court, Findlay, Ohio, U.S.A. 45839-0669
Telephone: (419) 425-8627 FAX: (419) 425-8629

INSTRUCCIONES DE SEGURIDAD IMPORTANTES

CONDITIONS ÉLECTRIQUES

Este aparato electrodoméstico, debe estar conectado a tierra. En caso de un corto circuito eléctrico, la conexión a tierra reduce el riesgo de choque eléctrico proporcionando un cable de escape para la corriente eléctrica.

Este aparato viene equipado con un cordón que posee un cable a tierra con un enchufe de conexión a tierra. Este enchufe debe estar enchufado en un tomacorriente instalado correctamente y conectado a tierra.

ADVERTENCIA: El uso inadecuado del enchufe de conexión a tierra puede resultar en un riesgo de choque eléctrico. Consulte con un electricista o persona de reparaciones competente si no comprende bien las instrucciones de conexión a tierra o si existe alguna duda sobre si el aparato está conectado a tierra correctamente.

NO USE UN CORDÓN DE PROLONGACIÓN ELÉCTRICA. Use un tomacorriente de pared exclusivo. No conecte su refrigerador para vinos a cordones de prolongación eléctrica o junto a cualquier otro electrodoméstico en el mismo tomacorriente de pared. No empalme el cordón.

ADVERTENCIA IMPORTANTE: Un refrigerador para vinos vacío es una atracción muy peligrosa para los niños. Saquelas juntas, pestillos, tapas o la puerta de todo electrodoméstico que no esté en uso, o tome alguna medida para asegurar que no presente peligro.

INSTRUCCIONES DE INSTALACIÓN

Saque los embalajes exteriores e interiores, limpie el exterior bien con un paño suave seco y el interior con un paño húmedo y tibio. Evite colocar la caja en un hueco estrecho o cerca de una fuente de calor, luz de sol directa, o lugar húmedo. Deje que el aire circule libremente alrededor de la caja. Mantenga la parte posterior del refrigerador a 5 pulgadas de la pared.

Ubicación

- 1) Seleccione un lugar con un piso firme y nivelado.
- 2) Permita cinco pulgadas de espacio entre la parte posterior del refrigerador y toda pared contigua.
- 3) Evite luz directa del sol o calor. La luz directa del sol puede afectar la capa de acrílico. Las fuentes de calor en su proximidad causarán un consumo mayor de electricidad.

El sistema de refrigeración de este refrigerador es un sistema "sin escarcha". Este tipo de sistema no requiere intervención del usuario (i.e. descongelación), salvo seleccionar la temperatura de enfriamiento y el cuidado y mantenimiento usual. Para evitar vibración, el refrigerador debe estar bien nivelado. Esto se logra ajustando los pies nivelados. Este se logra ajustando los dos pies delanteros, ubicados bajo el refrigerador. Para encender el refrigerador, gire el control de temperatura (1-max.) a la posición que corresponda a la temperatura de enfriamiento deseado. La variación de la temperatura dependerá del volumen de alimentos guardados en el refrigerador y de la frecuencia con que se abra la puerta.

CARACTERÍSTICAS

1) DISCO DEL TERMOSTATO: Para controlar la temperatura dentro del refrigerador/congelador. Enciende el motor en cuanto la temperatura asciende por encima del nivel deseado.

2) CONGELADOR EN COMPARTIMIENTO SEPARADO: Para guardar las cubetas de hielo y alimentos congelados.

3) CUBETA DE HIELO: Los cubitos de hielo se pueden sacar fácilmente de la cubeta.

4) REPISAS CON RECUBRIMIENTO PLÁSTICO: Resistente a los olores, al óxido, y se sacan fácilmente para limpiarlas.

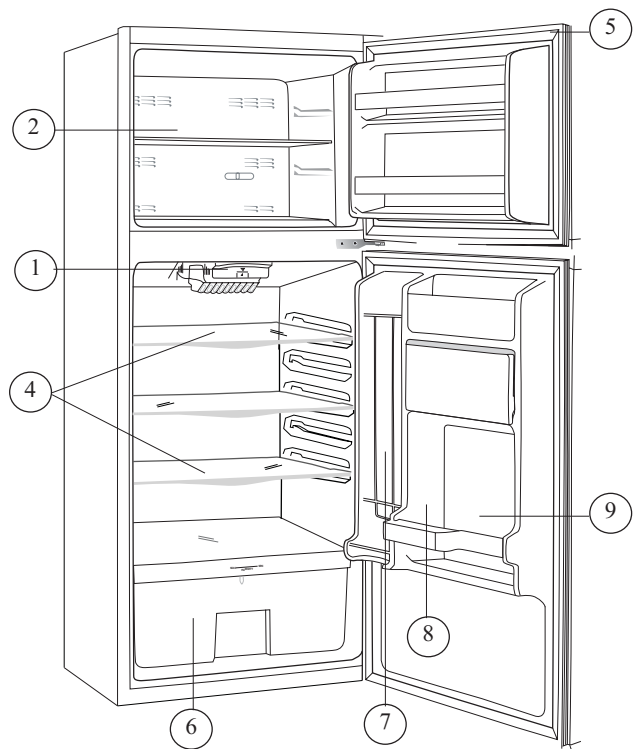
5) JUNTA MAGNÉTICA: El cierre hermético de la puerta permite conservar en el interior todo el poder de enfriamiento. Sin ganchos ni pestillos.

6) CAJON DE VERDURAS CON REPISA DE ACRILICO TRANSPARENTE: Permite ver el interior fácilmente.

7) REVESTIMIENTO DE PUERTACANSTOR™ : Para guardar latas de bebidas gaseosas, jugos o cerveza, de 355ml.

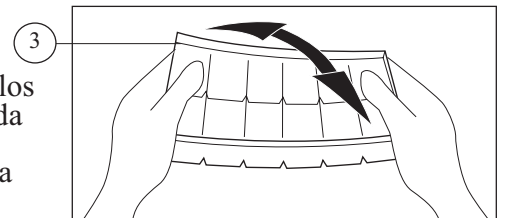
8) ALMACENAMIENTO EN LA PUERTA DE BOTELLAS DE GALÓN: Las barandilla se pueden cambiar de posición para guardar cosas más pequeñas.

9) ALTURA DE ALMACENAMIENTO PARA BOTELLAS DE 2 LITROS: Caben botellas de 2 litros.



CUBOS DE HIELO

La bandeja para cubos de hielo es flexible. Doble la bandeja para sacar los cubos de hielo. Si la bandeja para cubos de hielo está congelada y pegada a la superficie del evaporador, eche un poco de agua tibia sobre la bandeja. Nunca use un cuchillo u otro instrumento metálico para sacar la bandeja de cubos de hielo ya que esto puede causar desperfectos en el evaporador.



CAMBIO DE LA BOMBILLA

Para cambiar la bombilla del compartimiento interior:

- 1) Saque el tornillo del protector de la bombilla.
- 2) Tire hacia abajo el protector de la bombilla.
- 3) Desatornille la bombilla.
- 4) Cambie la bombilla. Use sólo bombillas estandar de 40 vatios para artefactos electricos.

INSTRUCCIONES PARA INVERTIR LA PUERTA

ADVERTENCIA

Para evitarse lesiones personales y daños a la propiedad, recomendamos que otra persona lo ayude durante el proceso de cambiar de sentido en que se abra la puerta.

1) Para lograr acceso a la unidad de la bisagra inferior, incline el refrigerador hacia atrás, o tiéndalo sobre el dorso (Fig.A).

2) Saque los dos pies graduables ubicados en la parte del antera del refrigerador.

3) Saque los tornillos que fija la unidad de la bisagra inferior al refrigerador (Fig.A).

4) Saque la unidad principal de la puerta del refrigerador (Abra la puerta y tire hacia abajo).

5) Saque los tornillos de la unidad de la bisagra del medio. Luego saque la bisagra y la puerta del congelador (Fig.B).

6) Saque (des tornille) el eje de la bisagra superior en el lado o puesto del refrigerador (Fig.C).

7) Vuelva a instalar el eje de la bisagra superior en el lado o puesto del refrigerador (Fig.C).

8) Saque el tapon de la bisagra y el manguito de la puerta, ubicados en la parte superior e inferior de cada unidad de puerta.

9) Intercambie las posiciones (Es decir, el tapón al lado derecho de la puerta, el manguito al lado izquierdo de la puerta).

10) Vuelva a instalar la unidad de la puerta del congelador en el refrigerador.

11) Vuelva a instalar la unidad de la bisagra del medio en el lado o puesto del refrigerador.

12) Antes de apretar los tornillos de la bisagra, verifique que la unidad de la puerta esté debidamente alineada con el refrigerador.

13) Vuelva a instalar la unidad de la puerta principal en el refrigerador.

14) Vuelva a instalar la unidad de bisagra inferior en el lado o puesto. Asegúrese de cambiar el manguito y tornillo en los lados o puestos en la parte inferior de la unidad.

15) Antes de apretar los tornillos de la bisagra inferior, verifique que la unidad de la puerta esté debidamente alineada con el refrigerador.

16) Vuelva a instalar los pies graduables.

AHORA, EL PROCESO HA TERMINADO.

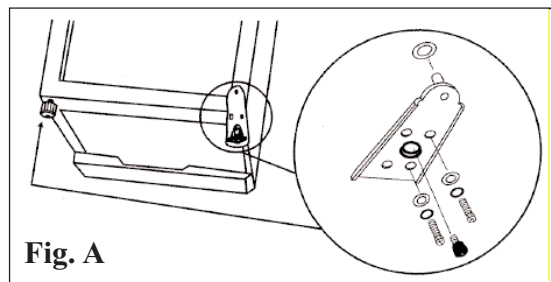


Fig. A

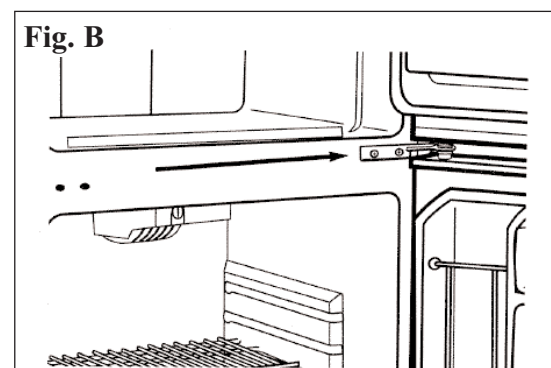


Fig. B

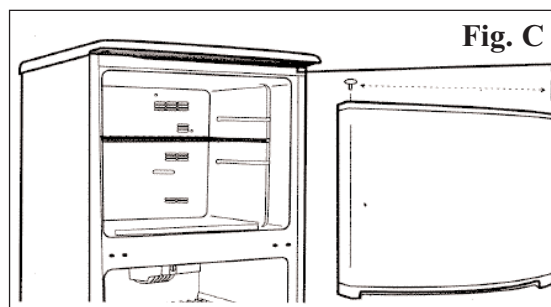


Fig. C

CUIDADO Y MANTENIMIENTO

Sistema de refrigeración

Este refrigerador incluye un sistema de enfriamiento 'libre de escarcha', lo cual significa que nunca tendrá que descongelar el compartimiento del freezer. La descongelación se lleva a cabo de manera automática por medio de un elemento calentador y un cronómetro de descongelación que viene programado de fábrica y opera en ciclos de alrededor de 8 horas. El agua descongelada cae en una bandeja ubicada directamente sobre el compresor y allí se evapora.

Limpieza

Cuando vaya a limpiar el refrigerador o el freezer siempre desenchúfelo antes de comenzar. Para limpiar el interior utilice un trapo suave y una solución de una cucharada de sopa de bicarbonato de sosa disuelta en un cuarto litro de agua o una solución de espuma de jabón suave o algún detergente suave. Lave las cubeteras, la bandeja colectora y los estantes deslizables con una solución de detergente suave, luego deje que se escurran y repáselos con un trapo suave. Limpie la superficie exterior con un trapo suave húmedo y algún detergente suave o líquido limpiador.

Configuración del termostato

El termostato se puede ajustar desde #1 (temperatura más alta) hasta Máximo (temperatura más baja). Recomendamos configurarlo en #4 (temperatura media); sin embargo, si encuentra que esta temperatura no satisface sus necesidades, rote el cuadrante del termostato para ajustarlo a la temperatura apropiada. El cuadrante está ubicado en la sección frontal superior del compartimiento del refrigerador. El termostato controla tanto la temperatura del compartimiento del freezer como la del refrigerador.

Periodo de vacaciones

Para periodos cortos de vacaciones, deje los controles en sus graduaciones corrientes. Durante ausencias más largas

- a) saque todos los alimentos
- b) desconecte el refrigerador del tomacorriente
- c) limpie el refrigerador bien, incluyendo la bandeja del congelador
- d) deje la puerta abierta para evitar la formación de olores.

Corte de corriente

La mayoría de los cortes de corriente se corrigen en una o dos horas y no afectarán las temperaturas de su refrigerador. Sin embargo, Ud. deberá reducir la cantidad de veces que abre la puerta cuando la corriente está apagada. Durante los cortes de corriente de larga duración, tome medidas para proteger sus alimentos colocando un bloque de hielo seco sobre los paquetes.

Si ud. se muda

Saque o asegure todos los artículos dentro (ej. parrillas) del refrigerador/congelador. Para evitar que los tornillos de nivel se averíen, gírelos completamente hacia la base. Algunas reglas importantes para el uso correcto del refrigerador.

- Nunca coloque alimentos calientes en el refrigerador.
- Las bebidas se deben guardar en envases cerrados.
- Los alimentos que se guardan por un periodo largo de tiempo, deben ser envueltos en celofán o polietileno, o se deben mantener en envases de vidrio. Nunca coloque alimentos estropeados en el gabinete.
- No sobrecargue el gabinete.
- No abra la puerta a menos que sea necesario.
- Si el refrigerador se guarda sin uso por periodos largos de tiempo, se sugiere que, luego de una limpieza cuidadosa, se deje la puerta entreabierta para permitir que el aire circule dentro de el gabinete y evitar una posible formación de condensación, moho u olores.

Sugerencias para guardar alimentos

El Compartimiento para Alimentos Frescos

- Nunca cubra las parrillas del compartimiento para alimentos con papel de aluminio o cualquier otro material para cubrir parrillas que puedan obstruir la circulación del aire.
- Siempre saque la envoltura porosa proveniente de la tienda, de toda la carne, pollo o pescado. La carne se debe envolver en forma individual. Envuelva el pescado y el pollo en papel aluminio o papel encerado grueso. La mayoría de los pescados se debe usar el mismo día en que se compran. Las carnes empaquetadas como el jamón, tocino, carne seca o salchichas, se almacenan mejor en sus paquetes originales.
- Permita que los alimentos calientes se enfrien a temperatura ambiente antes de colocarlos en el refrigerador.
- Siempre cubra los platos con alimentos, especialmente los restos. Use los restos en 2 o 3 días.

Cajón de verduras

La bandeja del piso del refrigerador está cubierta para retener la humedad. El compartimiento de verduras le permitirá almacenar verduras y frutas que, en otras condiciones, se secarían con rapidez. En nivel de la humedad del interior del cajón de verduras se puede controlar por medio del "control de humedad" (cursor blanco) ubicado en el frente del cajón.

SOLUCIÓN SUGERIDA

Con frecuencia, los problemas no son muy importantes, y es posible que no se requiera una llamada de servicio, use la guía para la resolución de problemas para tratar de encontrar una posible solución. Si la unidad continúa funcionando en forma incorrecta, llame a una estación de servicio autorizada o al Número de Teléfono de Llamada Gratis de Danby.

DIFFICULTAD	CAUSA POSIBLE	SOLUCIÓN SUGERIDA
1) No funciona.	<ul style="list-style-type: none"> • No hay voltaje en el contacto. • Clavija desconectada. • Voltaje fuera de especificaciones. 	<ul style="list-style-type: none"> • Verifique que la clavija esté conectada. • Conecte la clavija. • Verifique que haya corriente adecuada.
2) Trabajo muy frecuentemente.	<ul style="list-style-type: none"> • Control en frío máximo o cerca. • Puerta mal cerrada. • Aumentos muy calientes en interior. • Demasiadas o muy prolongadas aperturas de puerta. • Recibo luz solar directa o estoy cerca de fuentes de calor. 	<ul style="list-style-type: none"> • Verifique la posición y ajuste a su gusto. • Cierre bien la puerta. • Asegure de meter los alimentos no muy calientes. • No mantenga la puerta abierta por grandes periodos de tiempo. • No coloque su refrigerador cerca de fuentes de calor o de los rayos de sol.
3) Temperatura interior es muy fría.	<ul style="list-style-type: none"> • Control en frío máximo o cerca. 	<ul style="list-style-type: none"> • Verifique la posición y ajuste su gusto.
4) Temperatura interior es poco fría.	<ul style="list-style-type: none"> • No hay voltaje en el contacto. • Control en 1 o cerca. • Puerta mal cerrada. • Aumentos muy calientes en interior. • Demasiadas o muy prolongadas aperturas de puerta. • Charolas muy grandes bloquean la circulación del aire en interior. • Voltaje fuera de especificaciones. • Recibo luz solar directa o estoy cerca de fuentes de calor. 	<ul style="list-style-type: none"> • Verifique que la clavija esté conectada. • Verifique la posición y ajuste. • Cierre bien la puerta. • Enfriese alimento antes de insertir • Mínimo aperturas de puerta. • Permita los espacios sugeridos para que el aire circule. • Verifique que haya corriente adecuada. • No coloque su refrigerador cerca de fuentes de calor o de los rayos de sol.
5) Congelador es poco frío.	<ul style="list-style-type: none"> • Control en 1 o cerca. • Puerta mal cerrada. • Aumentos muy calientes en interior. • Demasiadas o muy prolongadas aperturas de puerta. • Voltaje fuera de especificaciones. 	<ul style="list-style-type: none"> • Verifique la posición y ajuste a su gusto. • Cierra bien la puerta. • Asegurese de meter los alimentos no muy calientes. • No mantenga la puerta abierta por grandes periodos de tiempo. • Verifique que haya corriente adecuada.
6) Foco no enciende.	<ul style="list-style-type: none"> • No hay voltaje en el contacto. • Clavija desconectada. • Foco flojo o fundido; el interruptor de puerta pegado. 	<ul style="list-style-type: none"> • Verifique que la clavija esté conectada. • Conecte la clavija. • Ajuste el foco, o reemplácelo. • Verifique que el interruptor no este pegado.



GARANTÍA LIMITADA PARA ELECTRODOMÉSTICO

Este producto de calidad está garantizado contra defectos de fabricación, incluyendo partes y mano de obra, siempre y cuando la unidad se utilice bajo las condiciones normales de funcionamiento para las que fue diseñado.

Esta garantía está solamente disponible para la persona que haya comprado originalmente esta unidad directamente de Danby Products Limited (Canada) o Danby Products Inc. (U.S.A.) (en adelante "Danby") o uno de sus distribuidores autorizados, y no es transferible.

CONDICIONES DE LA GARANTÍA

Las piezas plásticas, se autorizan por treinta (30) días solamente a partir de la fecha de la compra, sin las extensiones proporcionadas.

Primeros 12 Meses Durante los primeros 12 meses, cualquier parte en buen estado de este producto que resulte defectuosa, incluyendo cualquier sistema sellado, será reparado o reemplazado, a opción del fabricante, sin cargo para el comprador ORIGINAL.

Para obtener Servicio Danby se reserva el derecho de limitar la cobertura de "Servicio en Domicilio" sujeto a la proximidad de un Taller de Servicio Autorizado. Para todo artefacto que requiera servicio fuera del área limitada de "Servicio en Domicilio", el cliente será responsable por transportar dicho artefacto hasta el Taller de Servicio Autorizado más cercano. Consulte "Límites del servicio técnico a domicilio", a continuación. Comuníquese con el distribuidor donde haya comprado la unidad, o llame al Taller de Servicio Autorizado más cercano, donde debe ser reparada por un técnico calificado. Si esta unidad es reparada en otro lugar que no sea un Taller de Servicio Autorizado, o si la unidad se utiliza para aplicaciones comerciales, Danby no se hará responsable de ninguna forma y la garantía será anulada.

Límites del servicio técnico a domicilio Si el electrodoméstico está instalado en un lugar que se encuentra a 100 kilómetros (62 millas) o más del centro de servicios más cercano, se debe llevar la unidad al Centro de servicios Danby autorizado más cercano, ya que dicho servicio sólo puede realizarlo un técnico calificado y certificado por Danby para prestar servicios de garantía. Los cargos por transporte desde y hacia el lugar en que se efectúe el servicio técnico no están cubiertos por esta garantía y son de responsabilidad del comprador.

Nada dentro de esta garantía implica que Danby será responsable por cualquier daño que hayan sufrido los alimentos u otros contenidos de este aparato, ya sea debido a un defecto del aparato, o su uso, adecuado o inadecuado.

EXCLUSIONES

Salvo lo aquí indicado por Danby, no existen otras garantías, condiciones o representaciones, explícitas o implícitas, concretas o intencionales por parte de Danby o sus distribuidores autorizados y todas las demás garantías, condiciones o representaciones, incluyendo cualquier garantía, condiciones o representaciones bajo cualquier Acta de Venta de Productos o legislación o estatuto similar, quedan de esta forma expresamente excluidas. Salvo lo aquí indicado, Danby no serán responsables por ningún daño a personas o bienes, incluyendo la propia unidad, sin importar su causa, o de ningún daño indirecto causado por el desperfecto de la unidad, y al comprar esta unidad, el comprador acepta por la presente, indemnizar y proteger a Danby contra cualquier reclamo por daños a personas o bienes causados por la unidad.

CONDICIONES GENERALES

No se considerará ninguna de estas garantías o seguros cuando el daño o la necesidad de reparación sea el producto de los siguientes casos:

- 1) Falla del suministro eléctrico.
- 2) Daños en tránsito o durante el transporte de la unidad.
- 3) Alimentación incorrecta, como bajo voltaje, instalación eléctrica defectuosa o fusibles inadecuados.
- 4) Accidente, modificación, abuso o uso incorrecto del artefacto, tal como insuficiente ventilación del ambiente o condiciones de operación anormales (temperatura ambiente extremadamente alta o baja).
- 5) Utilización comercial o industrial (v.g., si el electrodoméstico no está instalado en una vivienda particular).
- 6) Incendio, daños por agua, robo, guerra, disturbios, hostilidades, actos de fuerza mayor como huracanes, inundaciones, etc.
- 7) Pedidos de servicio debido a desinformación del usuario.
- 8) Instalación inadecuada (v.g., instalación empotrada de un electrodoméstico diseñado como unidad independiente o uso de un electrodoméstico al aire libre que no esté aprobado para dicho fin).

Para acceder a la garantía se solicitará un comprobante de compra; por lo tanto, guarde su recibo. En caso de necesitar servicio de garantía, presente ese documento al TALLER DE SERVICIO AUTORIZADO.

Danby Products Limitée
PO Box 1778, Guelph, Ontario, Canadá N1H 6Z9
Teléfono: (519) 837-0920 Fax: (519) 837-0449

1-800-263-2629
DNB060809
07/08

Danby Products Inc.
PO Box 669, Findlay, Ohio, U.S.A. 45839-0669
Teléfono: (419) 425-8627 FAX: (419) 425-8629



Model • Modèle • Modelo
DFF258WSB

For service, contact your nearest service depot or call:
1-800-26-**Danby**
(1-800-263-2629)
to recommend a depot in your area.

Pour obtenir le service, consultez votre succursale régionale de service ou téléphonez:
1-800-26-**Danby**
(1-800-263-2629)
qui vous recommandera un centre régional.

Para servicio, comuníquese con su Departamento de Servicio más cercano o llame al:
1-800-26-**Danby**
(1-800-263-2629)
para que le recomienden un Departamento de Servicios en su zona.

FROST FREE REFRIGERATOR

The model number of your refrigerator is found on the serial plate located on the back, top left-hand corner of the refrigerator.

All repair parts are available for purchase or special order when you visit your nearest service depot. To request service and/or location of the service depot nearest you, call the toll free number listed to the left in Canada and the U.S.

When requesting service, or ordering parts, always provide the following information:

- **Product Type**
- **Model Number**

REFRIGERATEUR SANS GIVRE

Le numéro del modèle de votre réfrigérateur se trouve sur la plaque d'identification qui se trouve sur le coin du haut gauche de l'arrière du réfrigérateur.

Toutes les pièces de rechange sont disponibles immédiatement ou peuvent être commandées de votre Centre de Service régional. Pour obtenir le service et/ou le Centre de Service le plus proche, téléphonez le numéro sans-frais indiqué à gauche pour le Canada et les États-Unis.

Ayez les informations suivantes à la portée de la main lors de la commande de pièces ou service:

- **Genre de produit**
- **Numéro de modèle**

REFRIGERADOR SIN ESCARCHA

El número del modelo de su refrigerador se encuentra en la placa de serie ubicada en el ángulo posterior superior izquierdo del refrigerador.

Todas las piezas de repuesto se encuentran disponibles la para compra o por pedido especial cuando Ud. visite su departamento de Servicio más cercano, llame al número de marcando gratis que aparece a la izquierda en el Canadá y en los E.U.

Cuando solicite servicio o encargue repuestos, siempre proporcione la siguiente información:

- **Tipo de producto**
- **Número de modelo**

Sunbeam® is a registered trademark of Sunbeam Products, Inc. used under license.
Sunbeam® est une marque déposée de Sunbeam Products, Inc. utilisée sous licence.

Danby Products Limited, PO Box 1778, Ontario, Canada N1H 6Z9
Danby Products Inc., PO Box 669, Findlay, Ohio, USA 45839-0669