

ASkeu 636 kin



Reversible Drill



SERVICE

Tool service and maintenance must be performed only by qualified repair personnel.

When servicing a tool, only use identical replacement parts available from FEIN.

Repairs on FEIN Power Tools required the use of special tools (pulling devices and bearing press). Authorized repair centers have trained repair technicians and equipment necessary to perform these repairs. Service or repairs performed by unqualified persons could result in operator injury.

For the location of the repair center near you, please call 1-800-441-9878. Monday thru Friday, 9AM to 5PM EST. Or, look on our web site at www.feinus.com and follow the link to "Authorized Warranty Repair Centers"

**FEIN Power Tools
1030 Alcon Street
Pittsburgh, PA 15220**

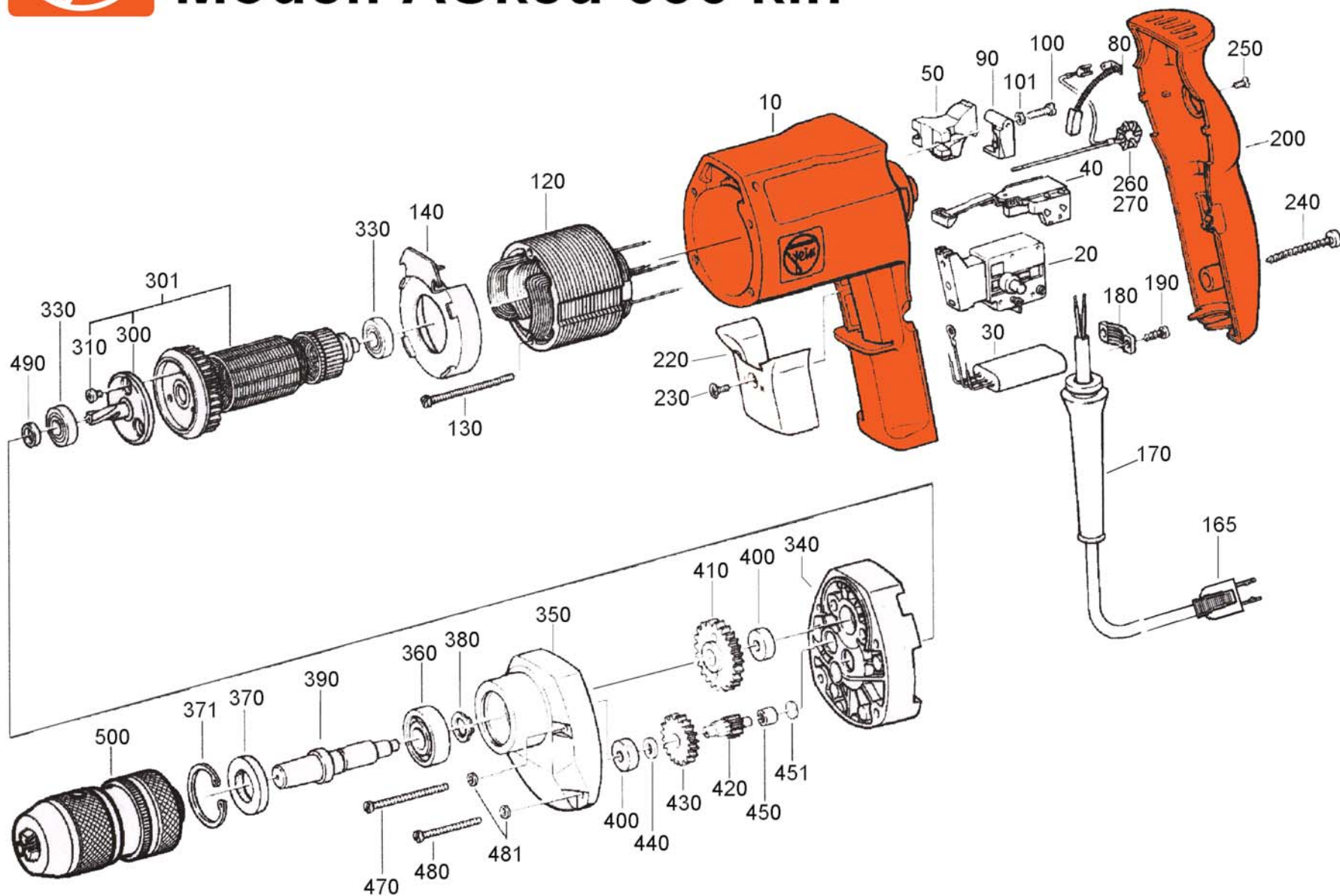
Phone: 412-922-8886 Fax: 412-922-8767 Toll Free: 1-800-441-9878

Nov 23, 2004



Reversible Drill

Model: ASkeu 636 kin



Fein Power Tools

Askeu 636

<u>Item</u>	<u>Item Number</u>	<u>Description</u>	<u>Reqd.</u>
10	3-19-01-117-02-1	MOTOR HOUSING	1
20	3-07-01-234-00-2	ELECTRIC SPEED CONTROL	1
30	3-07-22-161-01-3	CAPACITOR	1
40	3-07-01-238-00-1	REVERSING SWITCH	1
50	3-07-12-043-00-1	BRUSH HOLDER	2
80	3-07-11-059-00-7	CARBON BRUSH	2
90	3-07-13-010-00-9	BRUSH HOLDER CAP	2
100	4-30-02-014-99-8	SCREW	4
101	4-24-43-002-99-2	LOCK WASHER	3
120	5-1-203-003-11-7	FIELD COIL	1
130	4-30-02-025-99-1	SCREW	2
140	3-14-28-004-00-0	INSULATING RING	1
165	3-07-07-101-01-1	CABLE	1
170	3-14-13-142-00-9	PROTECTING SLEEVE	1
180	3-24-31-021-00-7	CABLE CLAMP	1
190	4-30-46-002-00-5	SCREW	2
200	3-12-01-066-00-5	HANDLE	1
220	3-28-05-120-00-0	SWITCH BUTTON	1
230	4-30-66-006-03-2	SCREW	1
240	4-30-46-024-00-5	SCREW	1
250	4-30-66-002-99-2	SCREW	1
260	3-07-19-117-01-4	CABLE CLAMP	1
270	3-07-19-118-01-2	CABLE CLAMP	1
300	3-37-57-040-00-0	GEAR WHEEL - 6T	1
301	5-3-203-009-11-0	ARMATURE	1
310	4-30-64-001-99-3	SCREW	3
330	4-17-01-001-17-2	BALL BEARING 608-RS1	2
340	3-15-06-307-00-1	INTER BEARING	1
350	3-15-08-226-00-7	HOUSING	1
360	4-17-01-007-03-8	BALL BEARING 608-RS1	1
370	3-06-02-008-00-4	PACKING RING	1
371	4-26-16-001-00-5	LOCKING RING	1
380	4-26-16-013-00-1	SNAP RING	1
390	3-34-01-066-00-5	DRILL SHAFT	1
400	3-16-01-112-00-6	BUSHING	2
410	3-36-07-042-00-5	SPUR WHEEL	1
420	3-37-07-021-00-3	SPUR WHEEL	1
430	3-36-57-011-00-3	GEAR WHEEL - 30T	1
440	3-26-24-069-03-8	WASHER	1
450	3-16-01-111-00-3	BUSHING	1
451	3-24-07-027-00-6	DISC	1
470	4-30-02-024-99-7	SCREW	2
480	4-30-02-021-99-2	SCREW	2
481	4-24-43-002-99-2	LOCK WASHER	4
490	3-26-12-047-00-6	PACKING RING	1
500	6-32-04-030-00-4	QUICK-ACTION CHUCK	1