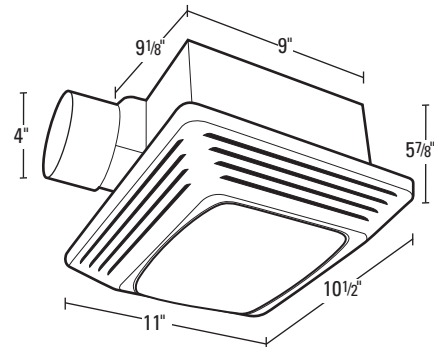




**SPECIFICATIONS**  
**ASF120**  
 EXHAUST FAN WITH LIGHT

**120 CFM/2.5 SONES @ 0.10" WG. -HVI CERTIFIED**  
**120 Volts, 0.7 amps, 60 hz.**

- **Grill**  
 White polymeric grill secured in place via screw mounting through the light housing, dimensions - 11" x 10 1/2".
- **Light Lens**  
 High impact polycarbonate lens, secured in position using integral tabs; easily removed if necessary.
- **Light Housing**  
 Heavy gauge cold rolled steel c/w baked enamel finish; locks in place on the grill via two integral tabs.
- **Blower Wheel**  
 One piece polymeric wheel, 4 1/2" diameter, 1" wide, with 10 fins.
- **Motor**  
 Single coil plug-in, two pole motor, life time lubrication, thermally protected. Rated 120 volts, 60 hz., 0.7 amps.
- **Fan Housing**  
 23 ga. Galvanized metal housing, dimensions 9 1/8" x 9" x 5 7/8"
- **Duct Collar**  
 Plastic collar for 4" duct connection, comes complete with built in non-metallic back draft damper for quiet operation.
- **Lighting**  
 Electronic Quick Start Ballast – rated 26 Watt – Use Triple 4 pin PL lamp. Maximum 26 Watt.



**CUL/HVI**

Acceptable for use over tub or shower when installed in a GFCI protected branch circuit.

- **Unit Mounting**  
 Rated Type IC for ceilings insulated to R-40. Designed to mount in ceilings with at least 6" of clearance. The unit will mount using the supplied mounting bars with a rough in opening of 9 1/4" x 9 3/8". The housing will mount through drywall thickness up to 3/4".
- **Single Pack Shipping Info**  
 Box Dim: 11 1/2" x 13 1/4" x 9 1/2"  
 UPC: 0-8316221281-8  
 Shipping Weight: 6 lbs.

PERFORMANCE											
	Static Pressure (inches of w.g.)								HVI Sones @ .1 SP	Fan Speed RPM	Power Watts
	0	0.05	0.1	0.125	0.25	0.375	0.5	0.625			
<b>Air Flow - CFM</b>	126	123	120	118	110	101	92	81	4.0	1800	97

<b>PROJECT</b>					<b>ARCHITECT</b>						
<b>LOCATION</b>					<b>ENGINEER</b>						
<b>CONTRACTOR</b>					<b>SUBMITTED BY</b>					<b>DATE</b>	
FAN NUMBER	MODEL NUMBER	CFM	IN W.G.	RPM	WATTS	AMPS	SONES	QTY	OPTIONAL EQUIPMENT & REMARKS		



**U.S.:** 820 Lincoln Drive  
 West Chester, Pennsylvania 19380-4466  
 Tel: (610) 692-7400 • 877-304-3785  
 Fax: (610) 696-8048

**Canada:** 110 Glidden Road  
 Brampton, Ontario L6T 2J3  
 Tel: (905) 456-2033  
 Fax: (905) 456-1015