

Item
Model
ProjectName



603617 + FILTER TABLE

FEATURES

- The special abrasive material that covers the removable rotating plate guarantees a high quality finish to the peeled vegetables, with little waste. There is also reduced noise emission from the unit and the peel is reduced to small pieces to facilitate the drainage process.
- The safety and reliability of this appliance is guaranteed by its complete stainless steel construction and by a

T5S

The T5S vegetable peeler can be considered the basic piece of equipment for vegetable preparation. It is designed for kitchens where the customer enjoy their freshness, whether they are served raw or cooked. Choice of peeling with a cutter plate or an abrasive plate.

series of devices which safeguard the operator and the functioning of the machine.

- The machine is constructed in stainless steel and the transparent lid in a special damage resistant plastic material which allows complete visibility of the peeling cycle.



DITO**Electrolux**

- The removable rotating plate is covered in a special abrasive vitreous material that has a practically unlimited lifespan, and can be restored after extended use.
- The electronic controls and the motor of the vegetable peeler has IP55 protection.
- The microswitch stops the machine from operating when the lid and the door are opened.

Specifications

MODEL	T5S 601218	T5SNT 603617
Capacity - kg	5	5
External dimensions - mm		
width	314	454
depth	485	680
height	450	1040
Scrubbing capacity - kg/h		
tuber	80	80
Peeling capacity - kg/h		
potatoes	80	80
Power - kW		
installed-electric	0.12	0.12
Net weight - kg.	17	27
Supply voltage	220...240 V, 1N, 50	220...240 V, 1N, 50

Included accessories

CODE	DESCRIPTION	T5S 601218	T5SNT 603617
653182	ABRASIVE PLATE FOR 5KG VEGETABLE PEELER	1	1

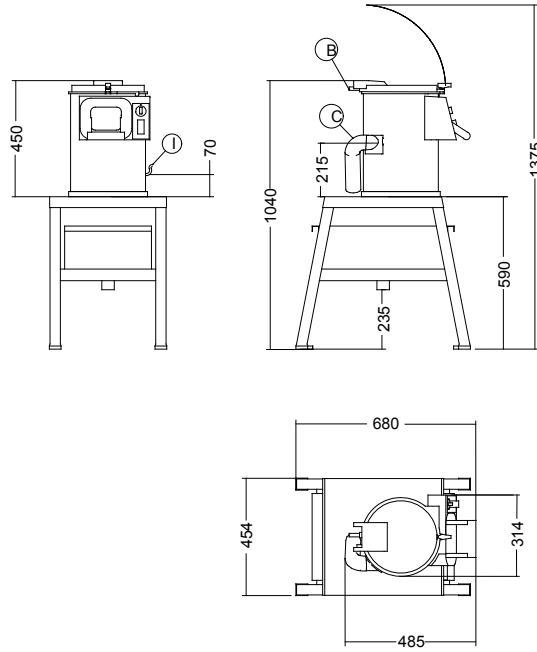
Optional accessories

CODE	DESCRIPTION	T5S 601218	T5SNT 603617
653182	ABRASIVE PLATE FOR 5KG VEGETABLE PEELER	✓	✓
653619	FILTER TABLE+SHELF-5/10/15KG VEG.PEELERS	✓	✓
653183	KNIFE PLATE FOR 5KG VEGETABLE PEELER	✓	✓
653057	WASHING PLATE FOR 5KG VEGETABLE PEELER	✓	✓



DITO**Electrolux**

Installation drawings

601218, 603617

MODEL	T5S 601218	T5SNT 603617
B - Cold water inlet	17	17
C - Water drain	47mm	47mm
I - Electrical connection	220...240 V, 1N, 50	220...240 V, 1N, 50

The manufacturer reserves the right to modify and make improvements to the products without giving prior warning. Dimensions, illustrations, technical data, weights, etc. are given as an indication only.



www.dito-electrolux.com

Peelers



AFAA010