

# ELKAY® SPECIFICATIONS

## Lustertone® with Quick-Clip® Double Ledge Model DRKRQ Series Model DRKADQ – A.D.A. Compliant Series Sinks

### GENERAL

Lustertone sinks with rear faucet ledge and right or left bubbler ledge. Highest quality sink bowl seamlessly drawn of #18 gauge, type 304 (18-8) nickel bearing stainless steel. Self-rimming with double ledge.

### DESIGN FEATURES

DRKRQ Bowl Depth: 7-5/8".

DRKADQ Bowl Depths: 5-1/2", 6" or 6-1/2".

Coved Corners: 1-3/4" vertical and horizontal radius.

Bowl and Faucet Deck Recess: 5/32" below outside edge of sink.

Finish: Exposed surfaces are hand blended to a lustrous highlighted satin finish.

Underside: Fully undercoated to dampen sound and prevent condensation.

### OTHER

DRKRQ Series and DRKADQ2220 drain openings are 3-1/2" and centered in bowl as illustrated.

DRKADQ2522 drain opening is 3-1/2" and located centered left-to-right and off-centered front-to-back as illustrated.

Suffix "L" (left) and "R" (right) denotes location of side ledge.

NOTE: Unless otherwise specified, sink is furnished with faucet holes as shown.

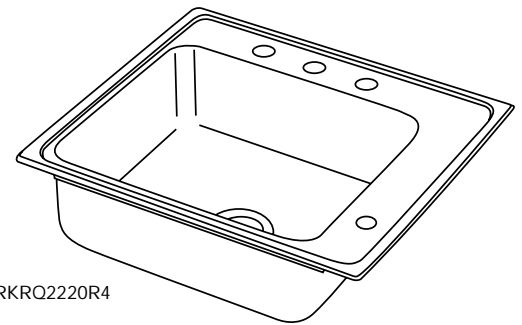
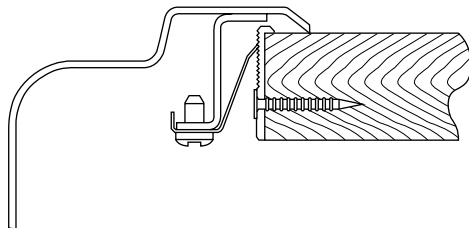
### SINK DIMENSIONS (INCHES)\*

Model Number	Overall		Inside Each Bowl			Cutout in Countertop (1 1/2" Radius Corners)		3 1/2" Drain Opening (see above for details)	Minimum Cabinet Size	Ship. Wt. Lbs.
	L	W	L	W	D	L	W			
<b>DRKRQ Series</b>										
DRKRQ2220L	22	19 1/2	16	13 1/2	7 5/8	21 3/8	18 7/8	Centered	27	14
DRKRQ2220R	22	19 1/2	16	13 1/2	7 5/8	21 3/8	18 7/8	Centered	27	14
DRKRQ2522L	25	22	19	16	7 5/8	24 3/8	21 3/8	Centered	30	16
DRKRQ2522R	25	22	19	16	7 5/8	24 3/8	21 3/8	Centered	30	16
<b>DRKADQ Series</b>										
DRKADQ2220L	22	19 1/2	16	13 1/2	**	21 3/8	18 7/8	Centered	27	14
DRKADQ2220R	22	19 1/2	16	13 1/2	**	21 3/8	18 7/8	Centered	27	14
DRKADQ2522L	25	22	19	16	**	24 3/8	21 3/8	Off-Centered	30	16
DRKADQ2522R	25	22	19	16	**	24 3/8	21 3/8	Off-Centered	30	16

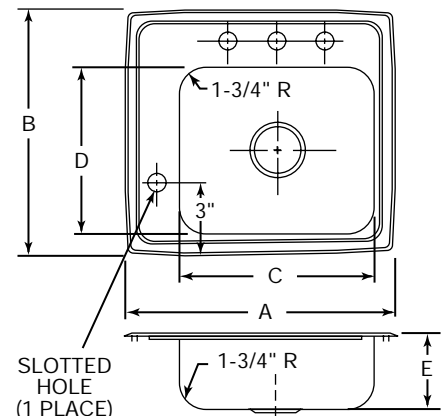
\*Length is left to right. Width is front to back.

\*\*Available in 5-1/2", 6" and 6-1/2" depths. Please consult your sales representative for other depths or modifications.

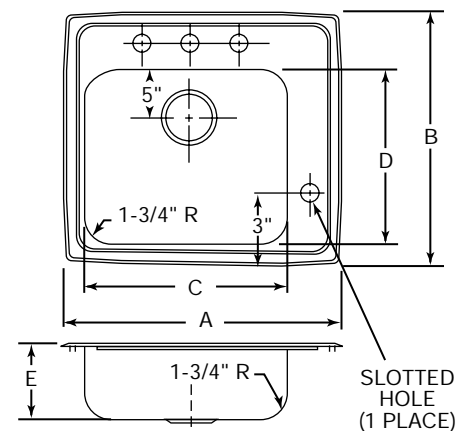
### Quick-Clip® Mounting System



Model DRKRQ2220R4



DRKRQ2220L4 Illustrated



DRKADQ2522R4 Illustrated



Slotted Faucet and Bubbler Hole

THIS PRODUCT, AS CONSTRUCTED IS SUBJECT TO INTERPRETATION OF A.D.A. REQUIREMENTS. THE UNOBSTRUCTED KNEE SPACE REQUIRED TO SATISFY A.D.A. STANDARDS MAY NOT BE DESIRABLE.

ALL DIMENSIONS IN INCHES, TO CONVERT TO MILLIMETERS MULTIPLY BY 25.4.

In keeping with our policy of continuing product improvement, Elkay reserves the right to change product specifications without notice.

This specification describes an Elkay product with design, quality and functional benefits to the user. When making a comparison of other producers' offerings, be certain these features are not overlooked.