



AIPHONE

EL-10S ELECTRIC DOOR STRIKE INSTALLATION MANUAL

PRECAUTIONS



 General Prohibitions

 Prohibition to Dismantle the Unit

 General Precautions



WARNING

(Negligence could result in death or serious injury.)

-  1. Do not connect the unit with any non-specified power source. Fire or electric shock could result.
-  2. Do not dismantle or alter the unit. Fire or electric shock could result.

CAUTION

(Negligence could result in injury to people or damage to property.)

-  1. Do not install or make any wire terminations while power supply is plugged in. It can cause electrical shock or damage to the unit.
-  2. Before turning on power, make sure wires are not crossed or shorted. Fire or electric shock could result.

GENERAL PRECAUTIONS

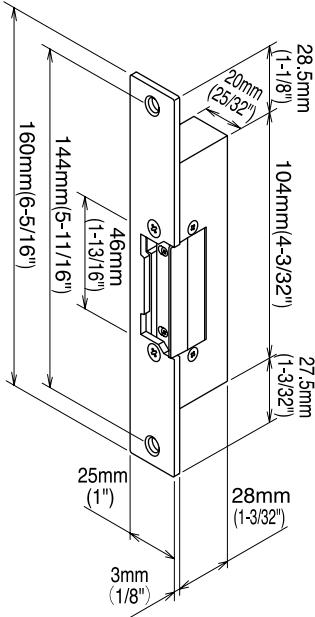
- 1. This unit is for indoor use only. Do not use outdoors.
- 2. The product is inoperative during power failure.

1. PACKAGE CONTENTS

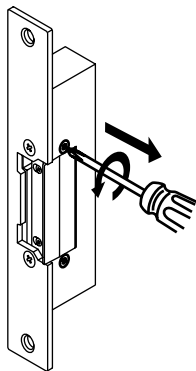
EL-10S, Screws x 2, Wooden screws x 2, INSTALLATION MANUAL x 1

2. INSTALLATION

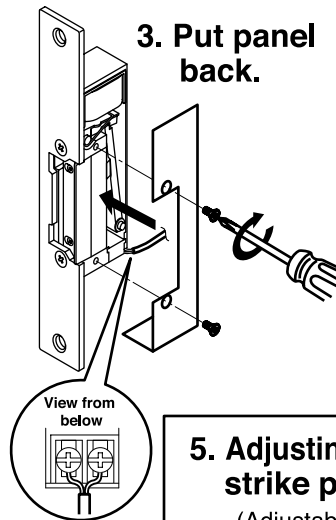
<Dimensions>



1. Remove panel.

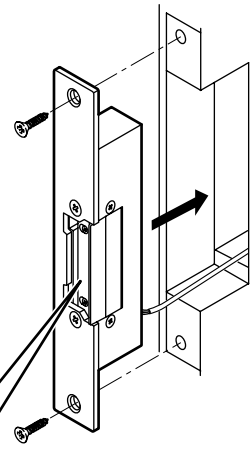


2. Connect wiring.



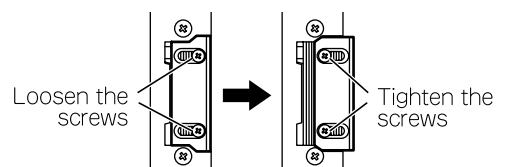
3. Put panel back.

4. Mount EL-10S.



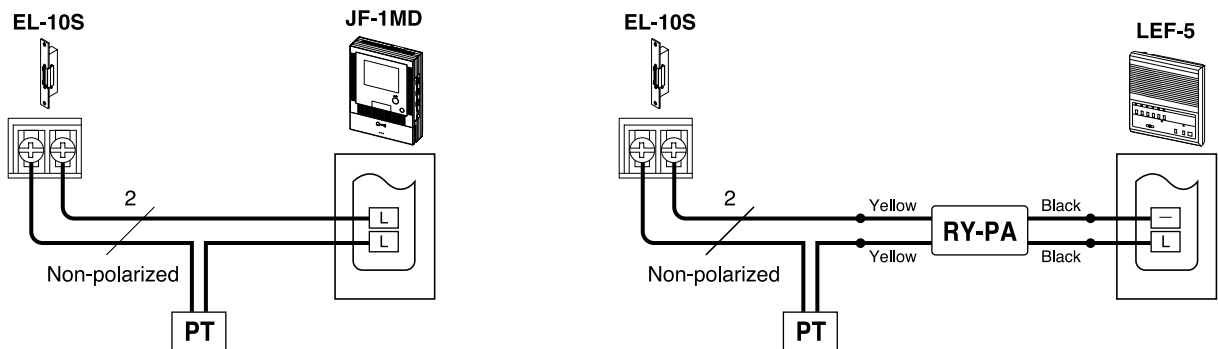
5. Adjusting the position of the strike plate

(Adjustable range: Max 4mm)



When removing panel, pay attention to the following:
Prevent dust from entering the EL-10S.
Do not touch the grease inside of the EL-10S.

3. WIRING




! The terminal designations for connecting door strike vary by product. Please confirm the terminal designation in the installation manual.

PT AC Transformer

4. SPECIFICATIONS

- Power source : 12V AC
- Current consumption : 180mA
- Operating temperature : -10°C ~ +50°C (+14° F ~ +122° F)
- Dimensions : 160(H) x 25(W) x 31(D)(mm)
6-5/16" H x 1" W x 1-7/32" D
- Weight : 270 g (0.6 lbs.) approx.

Aiphone warrants its products to be free from defects of material and workmanship under normal use and service for a period of one year after delivery to the ultimate user and will repair free of charge or replace at no charge, should it become defective upon which examination shall disclose to be defective and under warranty. Aiphone reserves unto itself the sole right to make the final decision whether there is a defect in materials and/or workmanship; and whether or not the product is within the warranty. This warranty shall not apply to any Aiphone product which has been subject to misuse, neglect, accident, or to use in violation of instructions furnished, nor extended to units which have been repaired or altered outside of the factory. This warranty does not cover batteries or damage caused by batteries used in connection with the unit. This warranty covers bench repairs only, and any repairs must be made at the shop or place designated in writing by Aiphone. Aiphone will not be responsible for any costs incurred involving on site service calls. Aiphone will not provide compensation for any loss or damage incurred by the breakdown or malfunction of its products during use, or for any consequent inconvenience or losses that may result.

The object area of  (WEEE) is EU.