



Instruction for use

1. Introduction

Congratulations! You have just bought a most sophisticated FM wireless stereo sound system. This system uses the latest FM wireless technology, which gives you complete freedom of movement while enjoying your own favorite music. No more inconvenience from cables or headphone wires! To ensure you get the best performance of your FM stereo sound system, please read this document carefully.

2. Features

- **Wireless transmission** - the FM transmitter transmits the stereo audio signal from your audio or video source to your FM headphone (receiver) without wires.
- **Wide transmission range** - the FM headphone (receiver) receives signals from up to 100 meter away from the FM transmitter.
- **High-frequency radio system** - the FM headphone set uses a high radio frequency as the signal carrier, ensuring a very clear, sharp reception.
- **Automatic Level Control (ALC)** - prevents overload of transmitter over a wide level of input signal.
- **Mute function** - reduces the noise level by 90% when the sound signal is too low or not available. This feature makes it possible to have the noise reduced when e.g. tuning the receiver to the transmitter.
- **Automatic power on/off** - the FM transmitter automatically switches on and starts transmitting when signals are sensed at the input (indicated by a red LED). When there are no signals at the input, the FM transmitter automatically switches off.
- **Rechargeable system** - the FM headphone set incorporates recharge facilities for recharging the batteries.
- **No space limitation** - the FM headphone (receiver) is able to receive signals from the transmitter, even through barriers such as doors, walls and glasses.
- **Multiple headphones with one transmitter** - additional number of headphones and/or wireless speakers can be used with a single transmitter.

3. Components included

In this FM headphone set the following components are included :

- FM transmitter SBC HC322
- FM receiver (headphone) SBC HC325
- AC/DC adapter 12 Volt / 200 mA
- HiFi audio cable
- Recharge cable
- Rechargeable batteries R03/AAA
- 3.5 mm to 6.3 mm stereo adapter

4. Explanation of Controls

Transmitter

1. Aerial
2. Power On/Off indication
3. Charge indication
4. Recharge power output, to charge the batteries of the FM headphone
5. Input 3.5 mm stereo connector, for input of audio signal
6. DC input connector to power the FM transmitter
7. Tuning control

Receiver

8. Charge indication
9. Tuning control
10. Power On/Off switch
11. Charge input
12. Volume control
13. Power On/Off indication



5. Installation

- Please ensure that the rated voltage of the AC/DC adapter is the same as the mains power supply. Connect the AC/DC adapter to the mains power supply outlet.
- Insert the DC connector of the AC/DC adapter into the 12 Volt DC input connector located on the rear of FM transmitter, as shown in Figure 2.
- Connect the audio source (CD player, TV, HiFi) to the FM transmitter with the HiFi audio cable as shown in Figure 2.
- Insert the rechargeable batteries supplied (2 x R3 / AAA) into the battery compartment as shown in Figure 3. Ensure that the polarity is correct.

Note : Please ensure that the batteries are fully charged (for 16 hours) before using the FM headphone for the first time. This will guarantee a longer operating lifetime of the batteries.

6. Operation

- Switch on the FM headphone.
- Set the volume control on the FM headphone to maximum.
- Apply an audio signal to the transmitter (using an audio source such as CD player, TV, or HiFi). The FM transmitter will switch on automatically.
- Tune the tuning control on the headphone until signal (audio sound) is at its clearest.
- Adjust the volume of the audio source to the highest acceptable undistorted level.
- While listening, adjust the volume with the control on the headphone to an acceptable level.

7. Recharging

Note : Please ensure that the batteries are fully charged (for 16 hours) before using the FM headphone for the first time. This will guarantee a longer operating lifetime of the batteries.

1. Switch off the power of the headphone before charging.
2. **Note :** Before using the FM headphone for the first time, please ensure that the batteries are fully charged (for 16 hours). This will guarantee a longer operating lifetime of the batteries.
3. Connect the recharge input on the headphone with the charge output on the transmitter via the recharge cable, see figure 3.
4. The charge indication LED on the headphone will light to indicate that the batteries are charging.
5. The batteries are fully charged after charging for at least 12 hours. Do not charge longer than 16 hours this will reduce battery performance.

8. Specifications

System	: Radio Frequency (RF)
Carrier frequency	: Tunable 433.2 to 434.7MHz
Modulation	: Frequency Modulation (FM)
Radiated output power	: 2 m Watt
Effective transmission range	: 60-100 meter, omni directional (360°)
Input level	: 150 m Volt
Power supply - transmitter	: 12 Volt / 200 mA DC
Power supply - receiver	: 2x R3 (AAA) batteries (NiCd)
Frequency range (headphone)	: 40~18,000 Hz
Signal / Noise ratio	: >55dB
Distortion	: <0.5%THD
Channel separation	: >30 dB

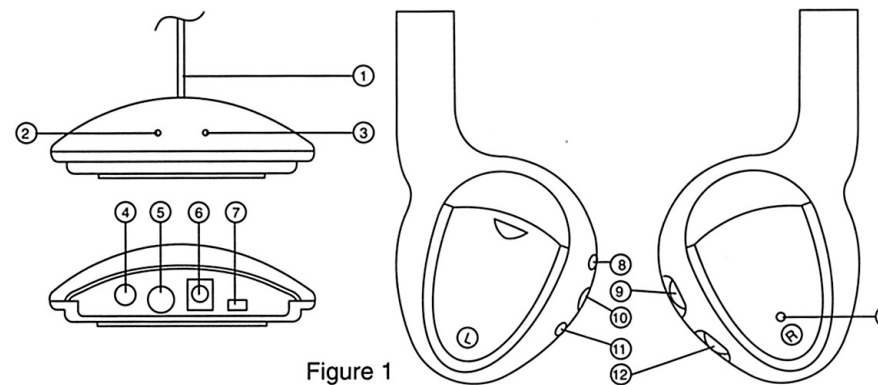


Figure 1

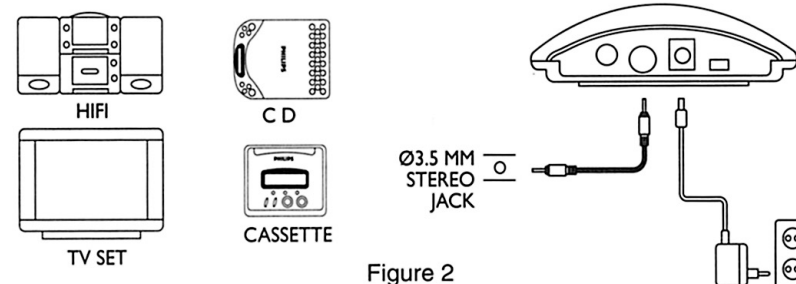


Figure 2

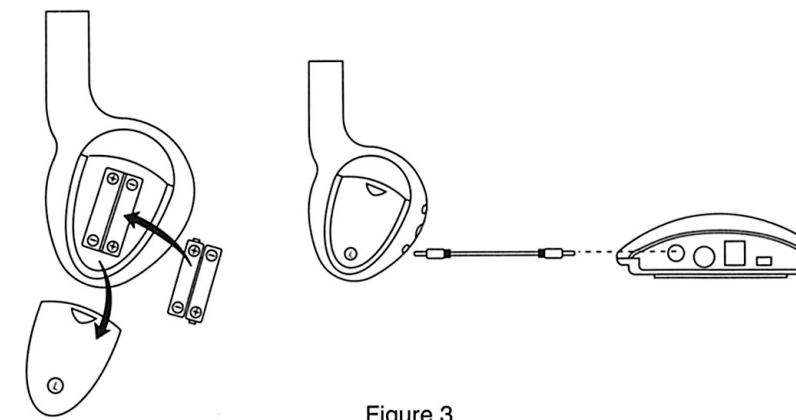


Figure 3

Instructions for use
 Mode d'emploi
 Bedienungsanleitung
 Gebruiksaanwijzing
 Istruzioni
 Modo de emprego
 Instrucciones de uso
 Bruksanvisning
 Οδηγίες Χρήσεως
 使用説明書

