

Modern 6-inch hood design with improved performance and quieter operation than other conventional hoods.

## DESCRIPTION

- Three (3) ducting options:
  - 3¼" x 10", horizontal or vertical discharge
  - 7" round, vertical discharge
  - Non-ducted recirculation
- Two-speed rocker control offers quiet fan operation
- Rocker light control
- Two, 60W, Type A-19 appliance bulbs provide bright cooktop lighting (bulbs not included)
- Two translucent, polymeric light lens - easily removed for relamping
- Convenient night-light setting
- Thermally-protected, plug-in motor
- Electronically-balanced, polymeric fan blade
- Washable, aluminum mesh grease filter
- Optional non-ducted filter (WA65F) for particulate and odor removal (sold separately)
- Keyhole mounting slots for easy installation
- Available in 30" width
- Powder-coated, baked enamel finishes in White, Biscuit, and Black, as well as Stainless Steel construction
- UL Listed

## SPECIFICATIONS

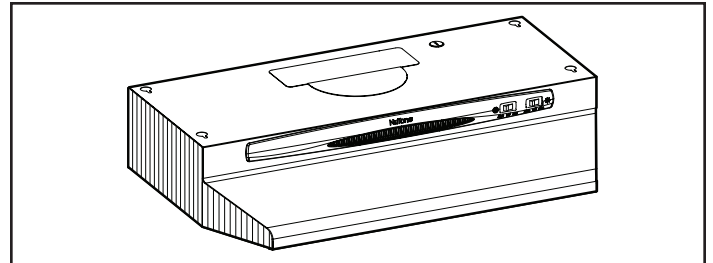
VOLTS	HZ.	AMPS	CFM	SONES	DUCT
120	60	1.9	190	5.5	3¼" x 10" (H)
120	60	1.9	200	5.5	3¼" x 10" (V)
120	60	1.9	250	5.5	7" Round (V)



HVI-2100 CERTIFIED RATINGS comply with new testing technologies and procedures prescribed by the Home Ventilating Institute, for off-the-shelf products, as they are available to consumers. Product performance is rated at 0.1 in. static pressure, based on tests conducted in a state-of-the-art test laboratory. Sones are a measure of humanly-perceived loudness, based on laboratory measurements.

FINISH	MODEL NUMBER
White	NS6530WW
Biscuit	NS6530BC
Black	NS6530BL
Stainless Steel	NS6530SS

# NS6500 Series Range Hood



## INSTALLATION

Complete installation instructions are included with each Range Hood

## ARCHITECT'S SPECIFICATION

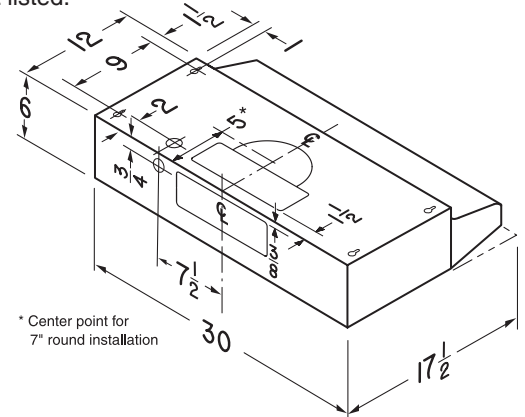
The Range Hood shall be a NuTone NS6500 Series. It will be 30" wide and have a White, (Biscuit), (Black), (Stainless Steel) finish.

The hood must be convertible between 3¼" x 10", 7" round, and non-ducted discharges. It will use a washable aluminum grease filter (ducted discharge) as well as a non-ducted, particle and odor filter (non-ducted discharge).

The motor assembly shall have a thermally-protected, plug-in motor, and a one-piece polymeric fan blade. Fan speed to be controlled by a two-speed control.

Cooktop lighting to be provided by two (2) 60W, A-19 type bulbs. Bulbs will be operated using a rocker control with night-light feature.

Hood to be UL listed.



\* Center point for 7" round installation

Broan-NuTone LLC Hartford, Wisconsin www.nutone.com 888-336-3948

REFERENCE	QTY.	REMARKS	Project
			Location
			Architect
			Engineer
			Contractor
			Submitted by Date