

**INSTALLATION INSTRUCTIONS FOR GRILLE TRIM KITS  
FOR USE WITH SUPERIOR'S WOOD BURNING APPLIANCES**

**SHIPPING AND PACKING LIST**

Grille Trim Kit must include:  
6 Grille Trim (Full Length)

The Grille Trim Kits covered in this document are:

Catalog #	Model #
91L55	LK36-B
91L56	LK36-P
91L59	LK42-B
91L60	LK42-P

**GRILLE TRIM KIT INSTALLATION INSTRUCTIONS**

**Step 1.** Remove fireplace grille assemblies by lifting up and out of holes on frame. Then pull from bottom out towards you. (Figures 1 and 2).

**Note:** Lift grille near outer support rods to fully clear holes.

**Step 2.** Insert grille trim onto grille and bend tabs over and around until fully secured (See Figure 3). Bend tabs utilizing the flat end of a screw driver or pliers.

**Step 3.** Remove protective covering from decorative grille trim pieces and wipe with damp cloth.

**Step 4.** Replace grills by aligning top ends of rods to upper set of holes on corresponding frames. Swing grilles towards frame in the same manner as they were removed and allow rod bottoms to fall into bottom holes until fully secured. Make sure all rods are completely inside holes.

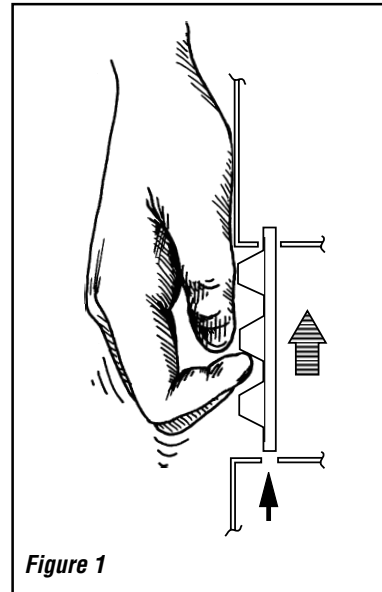


Figure 1

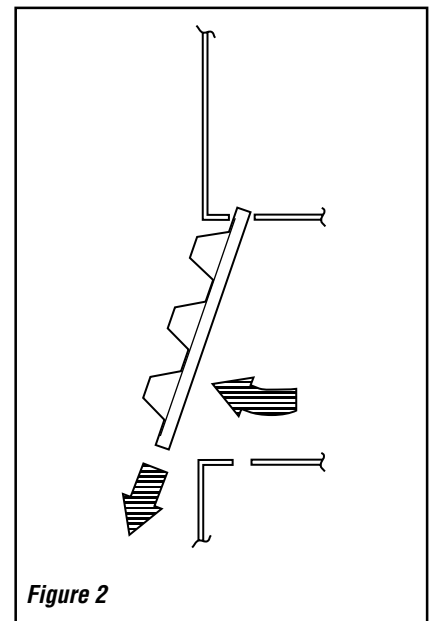


Figure 2

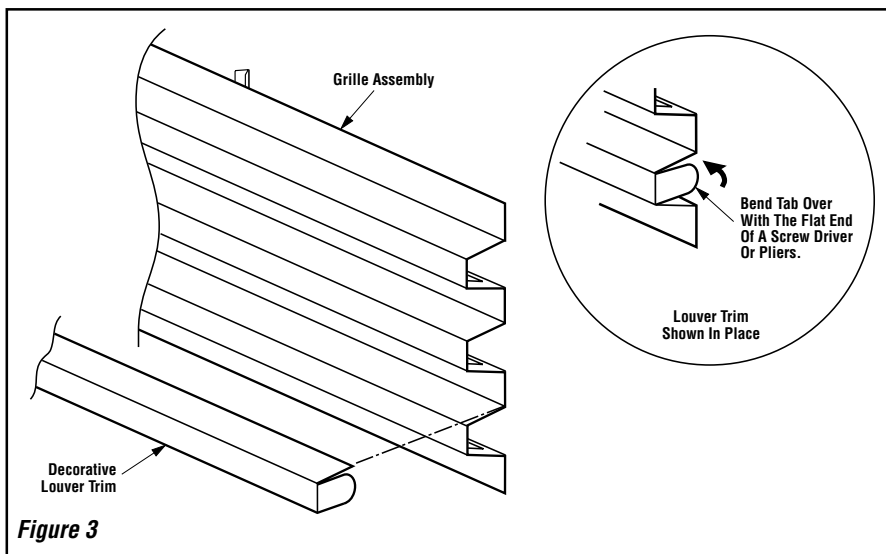


Figure 3

NOTE: DIAGRAMS & ILLUSTRATIONS NOT TO SCALE.