

**ONKYO®**

**Speaker System**

# ***SKR-L500***

## **Instruction Manual**

Thank you for purchasing an Onkyo speaker system. Please read this manual thoroughly before using your new speakers. Following the instructions in this manual will enable you to obtain optimum performance and listening enjoyment from your speaker system. Please retain this manual for future reference.

## **Contents**

### **Getting Started**

Package Contents .....	2
Placement .....	2

### **Installing & Using**

Using Cork Spacers with the Speaker.....	2
Wall Mounting.....	2
Connecting the Speakers .....	3
Using Speaker Mounts/Brackets ...	3

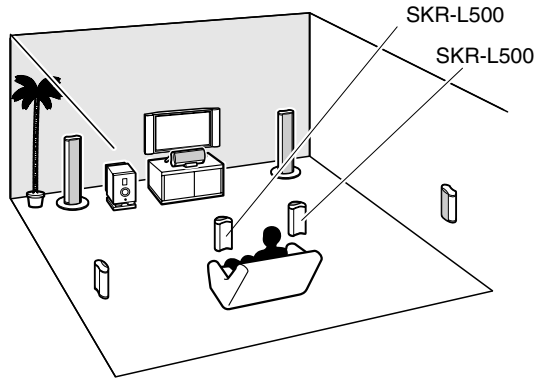
### **Appendix**

Operating Precautions .....	3
Speaker care.....	4
Specifications.....	4

## Package Contents

- **SKR-L500: Surround back speaker**
- **Speaker cable, 9 m (brown)**
- **Cork spacers, 4 pcs.**

## Placement



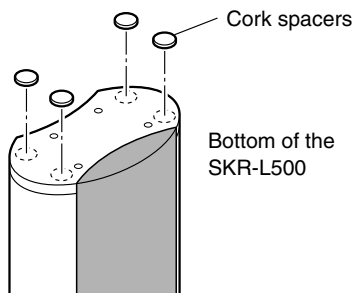
### SKR-L500: Surround back speaker

This speaker enhances the realism of surround sound and improve sound localization behind the listener. Position it behind the listener about 2–3 feet (60–100 cm) above ear level.

- The speaker cabinet is sensitive to extreme temperatures and humidity, do not put it in locations subject to direct sunlight or in humid places, such as near an air conditioner, humidifier, bathroom, or kitchen.
- Do not put water or other liquids close to the speaker. If liquid is spilled over the speaker, the drive units may be damaged.
- As explained in this manual, mount the speaker on a wall, or on the optional stands/brackets, otherwise, it may fall, causing personal injury or damage to the speaker.

## Using Cork Spacers with the Speaker

We recommend using the supplied cork spacers to achieve the best possible sound from your speaker. The cork spacers prevent the speaker from moving, providing a more stable setup.

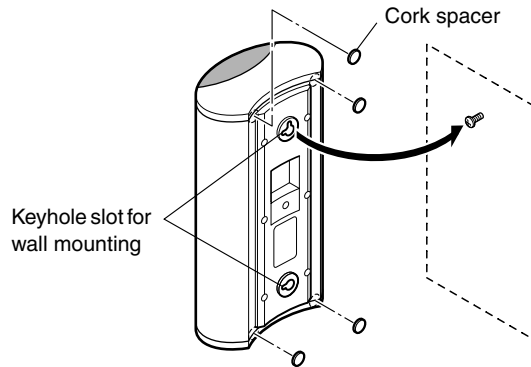


## Wall Mounting

The speaker can easily be wall mounted by using the keyhole slots. To prevent the speaker from vibrating against the wall, attach four of the supplied cork spacers to the rear of the speaker.

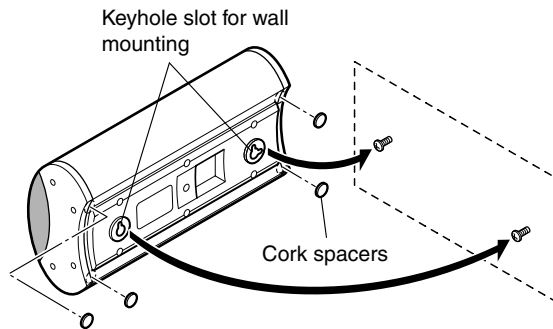
### ■ Mounting vertically

To mount the speaker vertically, use the two keyhole slots shown to hang the speaker on two screws that are securely screwed into the wall.



### ■ Mounting horizontally

To mount the speaker horizontally, use the two keyhole slots shown to hang the speaker on two screws that are securely screwed into the wall.



The plaque of each speaker rotates so that you can position the speaker upside down.

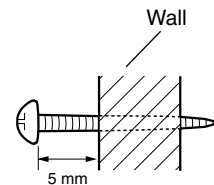
### Caution:

A mounting screw's ability to support a speaker depends on how well it's anchored to the wall. If you have hollow walls, screw each mounting screw into a stud. If there are no studs, or the walls are solid, use suitable wall anchors.

Use screws with a head diameter of 9.5 mm or less and a shank diameter of 4 mm or less. With hollow walls, use a cable/pipe detector to check for any power cables or water pipes before making any holes.

Leave a gap of 5 mm between the wall and the base of the screw head, as shown.

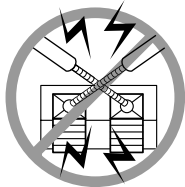
(We recommend that you consult a home installation professional.)



## Connecting the Speakers

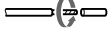
Read the following before connecting your speakers:

- Turn off your amp before making any connections.
- The nominal impedance of these speakers is 6 Ω. Use only an amp that supports this impedance.
- Pay close attention to speaker wiring polarity. Connect positive (+) terminals to only positive (+) terminals, and negative (-) terminals to only negative (-) terminals. If the speakers are wired incorrectly, the sound will be out of phase and will sound unnatural.
- Be careful not to short the positive and negative wires. Doing so may damage your amp.



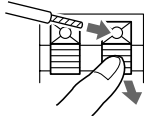
### ■ Connecting the Speaker Cables

**1 Strip the insulation from the ends of the speaker cables, and twist the bare wires tightly.**



**2 Use the cables to connect speaker's input terminals to the corresponding speaker output terminals on your amp.**

To make a connection, while pressing the terminal lever, insert the wire into the hole, and then release the lever.



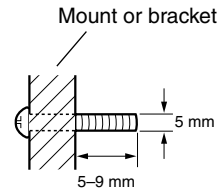
Make sure that the terminals are gripping the bare wires, not the insulation.

## Using Speaker Mounts/Brackets

Threaded inserts for 5 mm machine screws are provided on the rear and bottom of the speaker for wall-mounting with commercially available speaker mounts and brackets. Refer to the manual supplied with your mounts or brackets for installation details.

### Note:

The portion of the screw that goes into the speaker's threaded insert should be between 5 mm and 9 mm long.

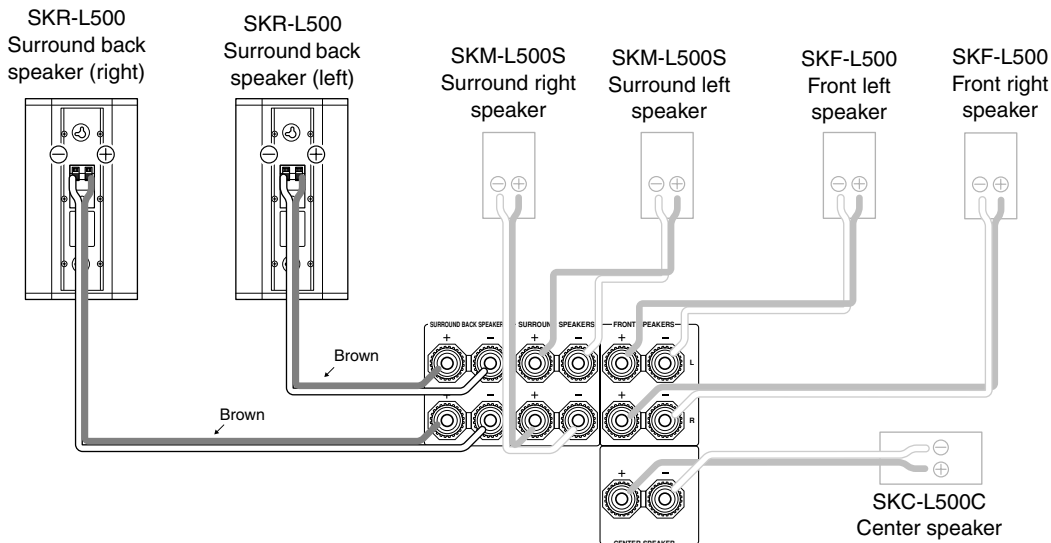


## Operating Precautions

The speaker can handle the specified input power when used for normal music reproduction. If any of the following signals are fed to them, even if the input power is within the specified rating, excessive current may flow in the speaker coils, causing burning or wire breakage:

1. Interstation noise from an untuned FM radio.
2. Sound from fast-forwarding a cassette tape.
3. High-pitched sounds generated by an oscillator, electronic musical instrument, and so on.
4. Amplifier oscillation.
5. Special test tones from audio test CDs and so on.
6. Thumps and clicks caused by connecting or disconnecting audio cables (Always turn off your amplifier before connecting or disconnecting cables.)
7. Microphone feedback.

- The speaker contain strong magnets, so do not put magnetic or iron objects such as screwdrivers close to them. If you do, the object may be attached to the magnets, causing personal injury or damage to the diaphragm.



## Speaker care

Wipe the cabinet occasionally with a dry silica or soft cloth. For heavier dirt, after dampening a soft cloth in a weak solution of mild detergent and water and wringing it out dry, wipe off the dirt. Then, dry immediately with a clean cloth. Do not use rough material, thinners, alcohol or other chemical solvents or cloths since these could damage the finish, remove the panel lettering, or cause discoloration. If you are using a chemical cloth, always follow the instructions that come with the cloth. For dust accumulated on grilles, use a vacuum cleaner or brush it off.

## Specifications

Type:	2-way bass reflex
Impedance:	6 $\Omega$
Maximum input power:	130 W
Output sound pressure level:	80 dB/W/m
Frequency response:	60 Hz - 35kHz
Crossover frequency:	8 kHz
Cabinet capacity:	2.1 L
Speaker (woofer):	8 cm cone
Speaker (tweeter):	2.5 cm balanced dome
Terminal:	Spring type color-coded
Dimensions:	161 (W) $\times$ 288 (H) $\times$ 93 (D) mm (Overall dimensions)
Weight:	1.1 kg

Specifications and appearance are subject to change for improvement without prior notice.

In catalogs and on packaging, the letter added to the end of the product name indicates the color of the SKR-L500. Specifications and operation are the same regardless of color.

## ONKYO CORPORATION

Sales & Product Planning Div. : 2-1, Nisshin-cho, Neyagawa-shi, OSAKA 572-8540, JAPAN  
Tel: 072-831-8023 Fax: 072-831-8124

### ONKYO U.S.A. CORPORATION

18 Park Way, Upper Saddle River, N.J. 07458, U.S.A.  
Tel: 201-785-2600 Fax: 201-785-2650 <http://www.us.onkyo.com/>

### ONKYO EUROPE ELECTRONICS GmbH

Liegnitzerstrasse 6, 82194 Groeben Zell, GERMANY  
Tel: +49-8142-4401-0 Fax: +49-8142-4401-555 <http://www.eu.onkyo.com/>

### ONKYO EUROPE UK Office

Suite 1, Gregories Court, Gregories Road, Beaconsfield, Buckinghamshire, HP9 1HQ  
UNITED KINGDOM Tel: +44-(0)1494-681515 Fax: +44(0)-1494-680452

### ONKYO CHINA LIMITED

Units 2102-2107, Metroplaza Tower I, 223 Hing Fong Road, Kwai Chung,  
N.T., HONG KONG Tel: 852-2429-3118 Fax: 852-2428-9039  
<http://www.ch.onkyo.com/>



I0508-1

SN 29344143

(C) Copyright 2005 ONKYO CORPORATION Japan. All rights reserved.



\* 2 9 3 4 4 1 4 3 \*