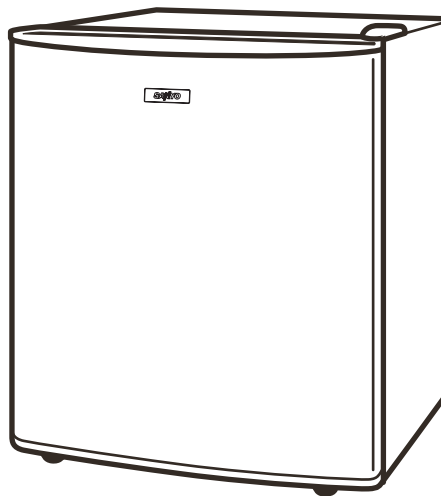


FILE NO.

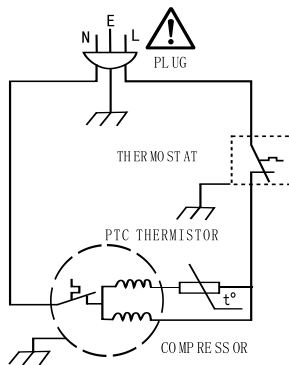
SERVICE MANUAL

SR-A1780W SR-A1780K

Refrigerator



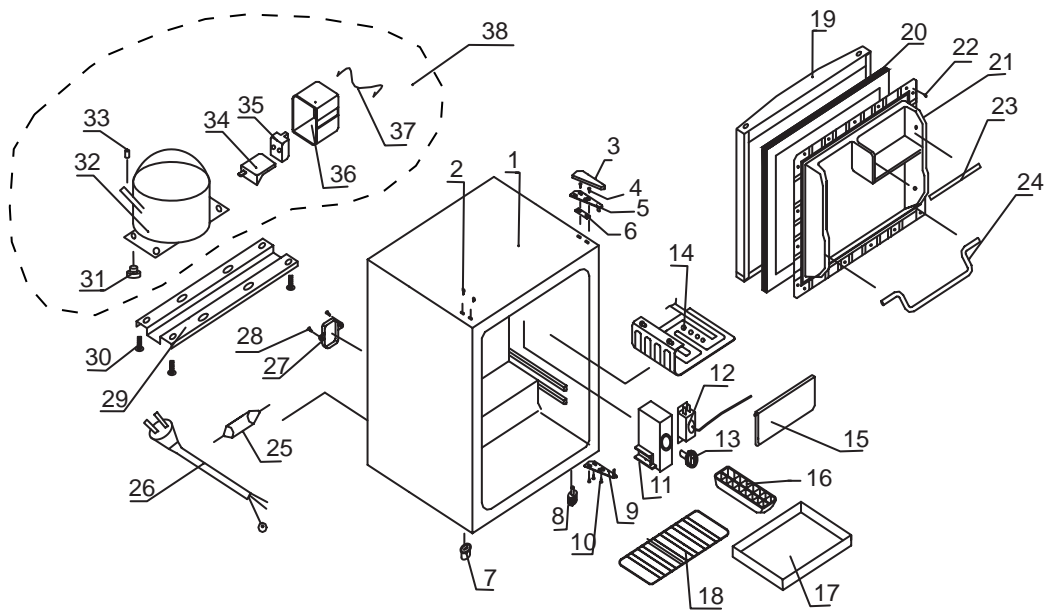
SCHEMATIC DIAGRAM



Specifications subject to change without notice

Model	Product Code	Voltege/Hz/Plug	Color	Capacity	Destination
SR-A1780W	183398970	115/60/U3	White	50L	USA
SR-A1780K	183398971	115/60/U3	Black	50L	USA

EXPLODED VIEW



PARTS LIST

REF.No.	PARTS No.	DESCRIPTION	Q'TY	REMARK
1	HH503705040058	Cabinet	1	SR-A1780(W)
1	HH503705040152	Cabinet	1	SR-A1780(K)
2	HH501100000010	Rivet	2	
3	HH501106840004	Top hinge cover	1	
4	HH502500300010	Tapping screw	2	
5	HH502905040019	Top hinge	1	
6	HH501106840032	Top hinge plate	1	
7	HH501106840001	Fixed leg	1	
8	HH501105040030	Adjustable leg	1	
9	HH502905060014	Bottom hinge	1	
10	HH502500200016	Screw	3	
11	HH501105040015	Thermostat box	1	
12	HH502407000326	Thermostat	1	
13	HH501105040016	Thermostat knob	1	
14	HH501705040015	Evaporator	1	
15	HH501105040013	Small door	1	
16	HH501113810004	Ice maker	1	
17	HH501105040047	Water plate	1	
18	HH502901040002	Shelf	1	
19	HH503700140110	Door	1	SR-A1780(W)
19	HH503700140059	Door	1	SR-A1780(K)
20	HH501105040025	Gasket	1	
21	HH501105040024	Door liner	1	
22	HH502500100004	Tapping screw	20	
23	HH501100000033	Small wire shelf	1	
24	HH501105040033	Big shelf	1	
25	HH501602000031	Drier	1	
26	⚠ HH502401000001	Power supply cord	1	
27	HH501105040031	Wire cover	1	
28	HH502500100004	Tapping screw	2	
29	HH500705040005	Compressor base	1	
30	HH502500200016	Screw	4	
31	N.S.P.	Grommet	4	
32	N.S.P.	Compressor	1	
33	N.S.P.	Bushing	4	
34	N.S.P.	Over load protector	1	
35	N.S.P.	PTC starter	1	
36	N.S.P.	Relay cover	1	
37	N.S.P.	Relay band	1	
38	HH501440300014	Compressor Assembly	1	

SANYO