

# GFP-715

Wide Bandwidth Stereo Preamp



**ADCOM**

# ABOUT ADCOM

## PERFORMANCE AND VALUE

In the world of high performance electronics, Adcom has done the impossible: make state-of-the-art components that are easy to use at an affordable price. In doing this, Adcom has created a revolution in the world of consumer electronics. By creating some of the most renowned components and offering them at affordable prices, Adcom has enabled more people to enjoy their favorite music and movies at top performance levels. Perhaps *Audio Magazine* said it best: "No competing company I know can provide a similar balance of sound quality, power and affordability."

## AWARD WINNING

Innovation is our stronghold, and our numerous awards year after year prove that we're never satisfied to rest on our reputation. From our legendary high current amplifiers to our state-of-the-art digital processors, Adcom components consistently impress even the most demanding audiences. Adcom components have won over 25 Product of the Year and Special Recognition citations from Audio Video International, 3 Diapason D'Or Awards, 7 Consumer Electronics Show Design and Engineering Awards, and have appeared on Stereophile's "Recommended Components" lists over 70 times since 1988. A reputation worth its weight in gold.

## ENGINEERING PASSION

Every Adcom component is not only designed to reproduce the highest quality sound and picture, but to also deliver the greatest possible value. It is our engineers' passion for perfection that has enabled our components to be judged the equivalent of others costing two, three, or even five times as much. Our engineering team consistently strives to develop and design products that will exceed your expectations. Our goal at Adcom is to let more consumers hear high-end quality sound and see high-end video without paying high-end prices.

All Adcom components are the result of a long-standing dedication to innovation, quality, simplicity and value. Adcom, we have the power, and now so do you.

ADCOM  
A division of Klein Technology Group, LLC  
8541 East Anderson Drive  
Scottsdale, Arizona 85255 USA

Telephone: (480) 607-2277  
Fax: (480) 348-9876  
Email: [info@adcom.com](mailto:info@adcom.com)  
Web: [www.adcom.com](http://www.adcom.com)

ADCOM is a registered trademark of Klein Technology Group, LLC.

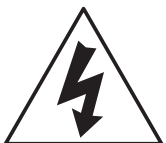
Copyright © 2003 Klein Technology Group, LLC. All rights reserved. No part of this manual may be reproduced or electronically transmitted without the express written consent of Klein Technology Group, LLC.

# TABLE OF CONTENTS

Welcome .....	2
Table of Contents .....	3
Precautions and Warnings .....	4
Introduction & Key Features .....	5
Safety Information .....	5
Front Panel Illustration .....	6
Rear Panel Illustration .....	6
Description of Front Panel .....	6-7
Description of Rear Panel.....	7
Remote Control Illustration .....	7
Troubleshooting .....	8
Service Information .....	8-9
Warranty .....	9
Your Responsibilites .....	9
GFP-715 Specifications .....	10

# THE FOLLOWING PRECAUTIONS AND SAFETY INSTRUCTIONS ARE REQUIREMENTS OF UL AND CSA SAFETY REGULATIONS

Warning: To reduce the risk of fire or electric shock, do not expose this unit to rain or moisture.



The graphic symbol of a lightning flash with an arrow point within a triangle signifies that there is dangerous voltage within the unit and it poses a hazard to anyone removing the cover to gain access to the interior of the unit. Only qualified service personnel should make any such attempt.



The graphic symbol of an exclamation point within an equilateral triangle warns a user of the device that it is necessary to refer to the instruction manual and its warnings for proper operation of the unit.

Do not place this unit on an unstable cart, stand, tripod, bracket, or table. The unit may fall, causing serious injury to a child or adult, and serious damage to the unit. Use only with a cart, stand, tripod, bracket, or table recommended by the manufacturer or sold with the unit. Any mounting of the device should follow the manufacturer's instructions, and should use a mounting accessory recommended by the manufacturer.

Read all the safety and operating instructions before connecting or using this unit.

Retain this notice and the owner's manual for future reference.

All warnings on the unit and in its operating instructions should be adhered to.

All operating and use instructions should be followed.

Do not use this unit near water. For example, near a bathtub, washbowl, kitchen sink, laundry tub, in a wet basement, or near a swimming pool.

The unit should be installed so that its location or position does not interfere with its proper ventilation. For example, it should not be situated on a bed, sofa, rug, or similar surface that may block the ventilation openings; or placed in a built-in installation, such as bookcase or cabinet, that may impede the flow of air through its ventilation openings.

The unit should be situated away from heat sources such as radiators, heat registers, stoves, or other devices (including amplifiers) that produce heat.

The unit should be connected to a power supply outlet only of the voltage and frequency marked on its rear panel.

The power supply cord should be routed so that it is not likely to be walked on or pinched, especially near the plug, convenience receptacles, or where the cord exits from the unit.

Clean unit only as recommended in its instruction manual.

The power supply cord of the unit should be unplugged from the wall outlet when it is to be unused for a long period of time.

Care should be taken so that objects do not fall, and liquids are not spilled, into the enclosure through any openings.

This unit should be serviced by qualified service personnel when:

- A. The power cord or the plug has been damaged; or
- B. Objects have fallen, or liquid has been spilled, into the unit; or
- C. The unit has been exposed to rain, or liquids of any kind; or
- D. The unit does not appear to operate normally, or exhibits a marked change in performance; or
- E. The device has been dropped, or the enclosure damaged.

**DO NOT ATTEMPT SERVICING OF THIS UNIT YOURSELF. REFER SERVICING TO QUALIFIED SERVICE PERSONNEL.**

## ATTENTION

POUR PREVENIR LES CHOCS ELECTRIQUES NE PAS UTILISER CETTE FICHE POLARISEE AVEC UN PROLONGATEUR, UNE PRISE CE COURANT OU UNE AUTRE SORTIE CE COURANT, SAUF SI LES LAMES PEUVENT ETRE INSEREES A FOND SANS EN LAISSER AUCUNE PARTIE A DECOUVERT.

## CAUTION

TO PREVENT ELECTRIC SHOCK DO NOT USE THIS POLARIZED PLUG WITH AN EXTENSION CORD, RECEPTACLE OR OTHER OUTLET UNLESS THE BLADES CAN BE FULLY INSERTED TO PREVENT BLADE EXPOSURE.

## CAUTION POWER LINES

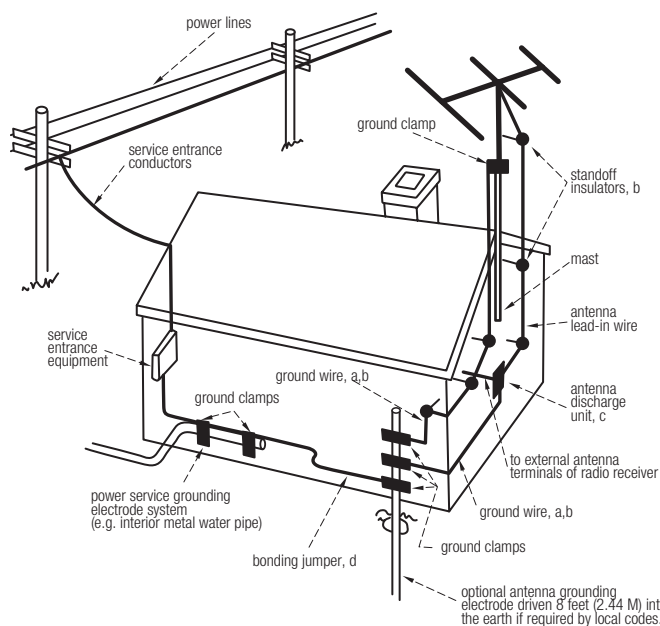
Any outdoor antenna must be located away from all power lines.

### OUTDOOR ANTENNA GROUNDING

If an outside antenna is connected to your tuner or tuner/preamplifier, be sure the antenna system is grounded so as to provide some protection against voltage surges and built-up static charges. Section 810 of the National Electrical Code, ANSI/NFPA No. 701984, provides information with respect to proper grounding of the mast and supporting structure, grounding of the lead-in wire to an antenna discharge unit, size of grounding conductors, location of antenna discharge unit, connection to grounding electrodes, and requirements for the grounding electrode.

- a. Use No.10 AWG (5.3 mm<sup>2</sup>) copper, No.8 AWG (8.4 mm<sup>2</sup>) aluminum, No.17 AWG (1.0 mm<sup>2</sup>) copper clad steel or bronze wire, or larger, as a ground wire.
- b. Secure antenna lead-in and ground wires to house with stand-off insulators spaced from 46 feet (1.221.83 m) apart.
- c. Mount antenna discharge unit as close as possible to where lead-in enters house.
- d. Use jumper wire not smaller than No.6 AWG (13.3 mm<sup>2</sup>) copper, or the equivalent, when a separate antenna grounding electrode is used. See NEC Section 810-21 (j).

EXAMPLE OF ANTENNA GROUNDING AS PER NATIONAL ELECTRICAL CODE INSTRUCTIONS CONTAINED IN ARTICLE 810. RADIO AND TELEVISION EQUIPMENT.



### NOTE TO CATV SYSTEM INSTALLER

This reminder is provided to call the CATV system installer's attention to Article 82022 of the National Electrical Code that provides guidelines for proper grounding and, in particular, specifies that the cable ground shall be connected to the grounding system of the building, as close to the point of cable entry as practical.

## Introduction

Congratulations on your decision to purchase the GFP-715 stereo preamplifier. Two channel audio is better than ever! The new DVD Audio and SACD formats can support a wider frequency spectrum (100kHz) and greater dynamic range (144dB) than conventional CD. The GFP-715 is designed to capture all the fidelity that high resolution audio has to offer, with precision broadband components and an ultra low noise floor. Equipped with a processor loop, a tape loop and a phono stage, this new ADCOM preamp hasn't forgotten about your legacy components. Audition the GFP-715 paired with an ADCOM power amp and DVD player and rediscover the magic of two channel. To realize the full potential of your new stereo preamplifier, and before making any connections to it, please read these operating and installation instructions thoroughly.

## Key Features

- Class A line level preamp
- high resolution audio bandwidth
- 4 audio inputs
- 1 phono input stage
- tape output w/ monitor function
- external processor loop
- bass, treble, and balance adjust
- front panel headphone input
- remote control

## Unpacking the GFP-715

Before your new ADCOM preamplifier left our factory, it was carefully inspected for physical imperfections and tested for all electrical parameters as a routine part of ADCOM's systematic quality control. This, along with full operational and mechanical testing, should ensure a product flawless in both appearance and performance. After you have unpacked the GFP-715, inspect it for physical damage. Save the shipping

carton and all packing material as they are intended to reduce the possibility of transportation damage should the preamplifier ever need to be shipped again. In the unlikely event damage has occurred, notify your dealer immediately and request the name of the carrier so a written claim to cover shipping damages can be initiated. The right to a claim against a public carrier can be forfeited if the carrier is not notified promptly in writing and if the shipping carton and packing materials are not available for inspection by the carrier. Save all packing materials until the claim has been settled.

## Placing the GFP-715

Although the GFP-715 does not generate much heat, it is good practice to ensure the amplifier's long-term, trouble-free operation to provide adequate ventilation for the unit. Therefore, the GFP-715 should be kept away from external sources of heat such as radiators and hot-air ducts.

We recommend that you exercise care when placing components on top of the GFP-715. If you are placing a heat producing component (such as an amplifier) on top of or below the GFP-715, it is recommended that you allow at least 3 inches vertical spacing for proper airflow.

If your system includes the use of the phono input, you may find that placing components above or under the GFP-715 may induce hum, caused by the proximity of their power transformer to the phono cables or input jacks. If this should occur, moving the components will usually help reduce the hum.

If you observe these recommendations, the GFP-715 will perform reliably in any reasonable environment. You should also pay attention to such normal considerations as protection from excessive dust and moisture. Occasional vacuuming of accumulated dust on the chassis panels and around the ventilating slots should be all that is required.

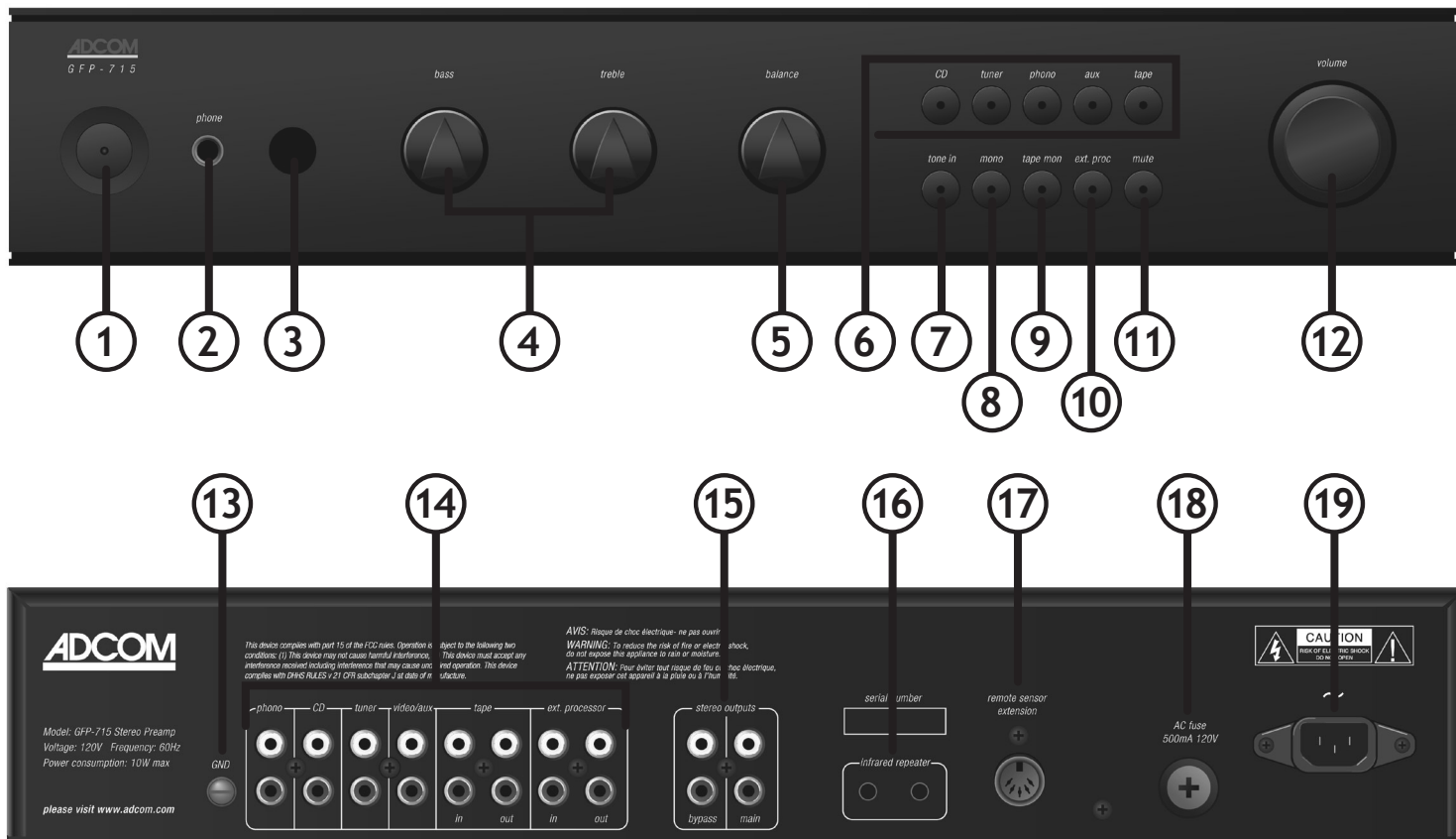
The optimal performance of your new GFP-715 will ultimately depend on the care with which you make the connections between the amplifier, preamplifier and loudspeakers. All input and output signal connections should be made only with high quality, low-loss, low capacitance cables. For recommendations of the type and quality of interconnections that are best for your applications, consult with your ADCOM retailer.

## Safety Information

There are no user serviceable parts inside. Refer all servicing to qualified service personnel.

The unit must be connected to a power supply only of the type and voltage specified on the rear panel. Connect the component to the power outlet only with the supplied power supply cable or an exact equivalent. Do not modify the supplied cable. Do not defeat grounding and/or polarization provisions. The cable should be connected to a 3-pin polarized wall outlet, matching the wide blade of the plug to the wide slot of the receptacle. Do not use extension cords. Do not route the power cord where it will be crushed, pinched, bent, exposed to heat, or damaged in any way. Pay particular attention to the power cord at the plug and where it exits the back of the unit. The power cord should be unplugged from the wall outlet if the unit is to be left unused for a long period of time. Immediately stop using the component and have it inspected and/or serviced by a qualified service agency if:

- the power supply cord or plug has been damaged;
- objects have fallen or liquid has been spilled into the unit;
- the unit has been exposed to rain;
- the unit shows signs of improper operation; or
- the unit has been dropped or damaged in any way.



## Description of Unit: Front Panel

### [1] On/Off Power Switch

The GFP-715 is turned on by pressing either the remote control power button or toggling the front panel power switch. When on, the LED indicator in the button will illuminate.

### [2] Headphones Jack

Headphones may be used through the use of the phones output jack on the front panel. This jack will accept a standard 1/4" stereo headphone plug.

### [3] IR Sensor

This lens protects the infrared receiver which receives commands from the remote control. Note: the pathway between the lens and remote control must be free of obstruction for the remote control to operate the GFP-715.

### [4] Bass and Treble Knobs

The bass and treble knobs control the bass and treble frequencies by increasing or decreasing levels.

### [5] Balance Knob

Balance control provides adjustment for greater accuracy of stereo imaging.

### [6] Source Selections

These five buttons select the source you desire for listening. When you select CD, tuner, phono or video/aux, these signals are routed to the tape output for recording the selected source. Tape playback is accessed by pressing the tape button. The presence of signal at the tape outputs can be confirmed by pressing the tape monitor button. The five source select buttons are also on the remote control.

### [7] Tone In Button

This button is used to engage the bass and treble controls. In the out position, the tone controls will have no effect.

### [8] Mono Button

The mono setting combines both left and right channels for a monaural input signal or where speaker placement does not accommodate stereo playback.

### [9] Tape Monitor

Confirms that signals are present at tape outputs. If a three-head tape recorder is connected, activating this circuit will allow direct monitoring from the recording. See tape recorder manual for details.

### [10] External Processor

Selects an external audio processor, i.e., surround sound processor or equalizer.



## [11] Mute Button

Pressing this button mutes the main outputs. To turn the mute feature off, press the mute button again. Note: turning the volume knob on the front panel will not deactivate the mute feature.

## [12] Volume Knob

The front panel volume control knob is motorized. It may be adjusted either by hand or with the volume buttons on the remote control. The volume knob's illuminated LED always indicates the volume level.

## Description of Unit: Rear Panel

### [13] GND Ground Post

To reduce the chance for hum connect the turntable ground lead to this attachment point.

### [14] Stereo Inputs

Connect the various outputs from each signal source to these stereo inputs.

**Tape In/Out:** Connect the Tape In to the Play or Output connection of the recording device. Connect Tape Out to the Record or Input jacks of the recording device.

**External Processor:** The processor in/out connectors allow for convenient

connection of an external processor or an equalizer. Consult the manual of your external processor.

### [15] Stereo Outputs

**Bypass Output:** The signal path from this output does not include the tone control amplifiers used by the GFP-715. In addition, the bypass output is a direct coupled connection that bypasses the output capacitor present in the main signal path.

**Main Output:** A line level stereo output that connects to the amplifier's inputs.

Both outputs can be used at the same time to accommodate a second amplifier for multi-room operation.

### [16] Infrared Repeaters

Connect an infrared repeater, such as the ADCOM IRA-500II, to control other remote controlled components via the remote sensor extension.

### [17] Remote Sensor Extension Input

Expand the remote control capabilities of the GFP-715 by using an ADCOM XR-500II via an external room or zone.

### [18] AC Fuse Holder

This unit is protected from electrical overloads that may be sent to the unit from a surge or lightning strike through the use of a fuse. If the fuse blows always

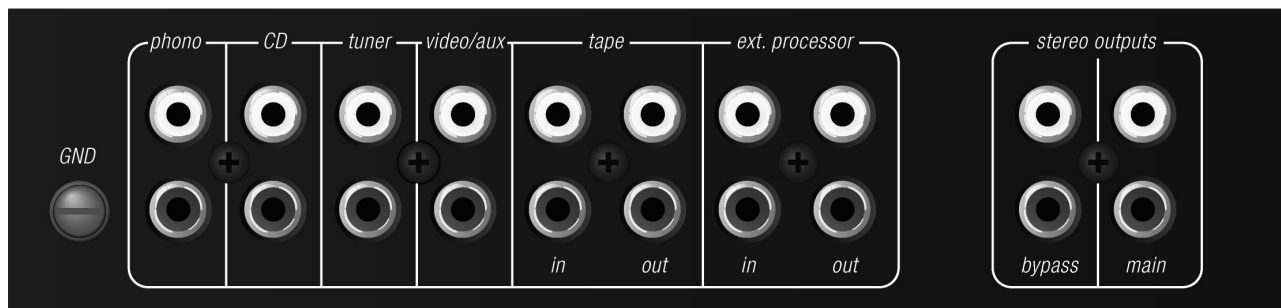
replace with the identical type and rating fuse for continued protection. See "Troubleshooting" for more information.

### [16] AC Input

Use the provided standard IEC AC cord to provide power to the unit. The plug is a polarized type, for continued electrical safety observe proper polarization at main outlet and do not modify plug in any way.

## Remote Control

The supplied remote control, pictured here, duplicates the frequently used front panel controls. Two AAA batteries are included. The model number of the remote control is GFP-710RC.



SYMPTOM	POSSIBLE REASON	POSSIBLE SOLUTION
Power LED does not glow. No sound	AC Power Cord(s) not plugged in. AC Fuse(s) failed. Transformer thermal protection engaged. 12V DC triggering malfunctioning.	Plug in AC Power Cord(s). Replace AC Fuse(s). Wait until unit cools down. It will reset. Reset power switch manually. Check connection of 12V DC trigger at source.
Power LED glows, but no sound	Preamp or source unit is not on. Connections in rear of amp are loose.	Make sure whole system is on. Verify all connections on rear of amp.
One channel not producing sound	INPUT(s) or OUTPUT(s) connector disconnected or loose. Speaker disconnected. Internal protection engaged.	Verify both connections on that channel.  Verify connection at speaker. Bring to Dealer or Service Center.
Hum from all speakers at any volume	Ground loop (difference in ground voltages between components).	If Cable TV is present (see Note 1). If Cable TV is not present (see Note 2).
Hum from all speakers (hum goes up or down with volume)	Problem with source unit (CD, tape, etc.), or RCA cable connecting that source unit to the preamp.	Try different source (tuner, tape, etc.) and/or different RCA cable.
Hum from the amplifier itself	Some major appliance, dimmer, halogen or fluorescent light is creating interference.	Make sure all appliances, dimmers and suspect lights are off.

## Troubleshooting

Use the troubleshooting notes above to solve common situations that don't require professional attention. If the steps stated in possible solution do not resolve your problem, then please contact your ADCOM dealer or call the ADCOM customer service department. Any problems not covered here should be brought to the attention of your ADCOM dealer or ADCOM customer service department.

**A special note on "hum:"** When there is a low-volume "hum" audible throughout your speakers, even with the main volume turned all the way down, you have a common phenomenon known as a "ground loop." A ground loop is basically a difference in ground voltages between two or more components which are connected electrically and which creates multiple current paths where there must only be one. This difference in potentials creates a 60Hz low-level sound (approximately a low A), that seems to "hum."

It can be caused by adding new components to your system, but that does not imply there is anything electrically wrong with any new component. With the advent of audio/video and home theater systems, the problem has become commonplace. Generally, the cause is the Cable-TV incoming signal line. This new incoming line may add an additional ground at a different potential to the AC line ground of your other equipment (refer to note 1 and 2, to troubleshoot a hum problem).

**Note 1:** Cable TV systems can sometimes contribute to ground loop problems which cause "hum." To determine if your cable system is the contributing factor, disconnect the Cable-TV incoming signal line (round, 75Ω) at the wall,

or the first component the cable is connected to (i.e. the cable box, or VCR). If the hum is no longer present, you must insert a "75Ω ground loop isolator" before reconnecting the line. You should check with your ADCOM dealer to obtain one. If the "75Ω ground loop isolator" works only partially or not at all, then please read note 2 to complete the troubleshooting procedure.

**Note 2:** Make sure that the power amplifier is at least 6" from processor or other equipment using microprocessors. Usually putting another component between them is sufficient to minimize the hum. If this does not reduce the hum, turn the system off and disconnect all Inputs from the amplifier. If the hum still persists, then your dealer or service center must examine the unit/system. If the hum disappears, try another set of RCA cables. Connect one RCA cable at a time to see if one specific cable is responsible. If any or all cables cause the hum to appear, then the unit should be evaluated for proper operation by your dealer or authorized service center. Please see our website or call us for a list of authorized service centers in your area.

## Servicing

ADCOM has a technical service department to answer questions pertinent to the installation and operation of your unit. In the event of difficulty, please contact us for prompt advice. If your problem cannot be resolved through our combined efforts, we may refer you to an authorized repair agency, or authorize return of the unit to our factory. To aid us in directing you to a convenient service center, it would be helpful if you indicate which major city is accessible to your home.



**Please address mail inquires to:**

**ADCOM Service**

**8541 East Anderson Drive**

**Scottsdale, Arizona 85255 USA**

**Phone, Fax or Email inquires to:**

**Voice: (480) 607-2277 or Fax: (480) 348-9876**

**Monday through Friday, 8:00 AM to 4:00 PM MST**

**Email: [service@adcom.com](mailto:service@adcom.com)**

For fax inquires, please include a return fax number for the reply. When calling or writing about your ADCOM product, be sure to note and refer to its serial number as well as the date of purchase and the dealer from whom it was purchased. In any communications to us, please include a daytime phone number where we may reach you. In the event the unit must be returned to our factory for service, you will be instructed on the proper procedure when you call or write for a return authorization. **Under no circumstances should your unit be shipped to our factory without prior authorization, or packed in other than its original carton and fillers.**

If the original shipping carton and its fillers have been lost, discarded, or damaged, a duplicate carton may be obtained from our service department for a nominal charge.

Always ship prepaid via United Parcel Service (UPS) or other approved carrier. Do not ship via parcel post, since the packing was not designed to withstand rough parcel post handling. Improper shipment of the product will void your warranty coverage.

## Warranty

ADCOM, a division of Klein Technology Group, LLC, makes the following limited warranties. These limited warranties extend to the original purchaser or any person receiving this product as a gift from the original purchaser and to no other purchaser or transferee. **There is no warranty provided by ADCOM for products purchased from unauthorized outlets or dealers or from previous owners.**

### Limited Five Year Warranty (Home, Non-Commercial Use Only)

ADCOM warrants this product against defects in materials or workmanship for a period of five (5) years after the date of original retail purchase from an ADCOM authorized dealer. During this period, ADCOM will repair or replace a defective product or part, at our option, with a new or refurbished product or part without charge to you, as long as you follow the procedures listed below.

### Limited Ninety (90) Day Warranty (Commercial Use Only)

ADCOM warrants this product against defects in materials or workmanship for a period of ninety (90) days after the date

of original purchase from an ADCOM authorized dealer. During this period, ADCOM will repair or replace a defective product or part, at our option, with a new or refurbished product or part without charge to you, as long as you follow the procedures listed below.

All implied warranties, including implied warranties of merchantability and fitness for a particular purpose are limited in duration to the duration of the warranty period.

This warranty excludes all incidental and consequential damages, unless contravened by state law. This warranty gives you specific rights and you may have other rights which vary from state to state.

No person, agent, distributor, dealer, or company is authorized to change, modify or extend the terms of these warranties in any manner whatsoever.

## Your Responsibilities

The above warranties are subject to the following conditions:

- (1) You must retain and present your dated invoice or bill of sale to provide proof of original purchase from an ADCOM Authorized Dealer and coverage under the warranty period.
- (2) You must notify us within ten (10) days after you discover a defective product or part.
- (3) All warranty servicing of this product must be done by ADCOM or an authorized ADCOM Service Center.
- (4) This warranty is only valid if this product has been purchased and used in the United States. Warranty coverage for products purchased and used outside of the United States is provided by local ADCOM authorized distributors.
- (5) Charges by third parties for set-up, installation, adjustments, shipment, insurance, and other charges are not covered by this warranty.
- (6) This warranty extends only to defects in material or workmanship as limited above and does not extend to any product or part which has been lost or discarded by you, or to damage to products or parts caused by misuse, accident, Acts of God such as lightning or fluctuations in electrical power, improper installation, improper maintenance or use in violation of instructions provided in this Owner's Manual, or to products which have been altered or modified. This warranty does not extend to products which have had the serial number removed, altered, defaced, or rendered illegible.
- (7) Physically damaged products are not covered by this warranty and will be returned as received without repair.

# GFP-715 Specifications

## Output Impedance

Bypass/Main Outputs .....	100 Ohms
Tape Outputs .....	475 Ohms

## Output Level

Bypass / Main Outputs .....	2.0 Vrms
-----------------------------	----------

## Output Level (Maximum)

Bypass / Main Outputs .....	10.0 Vrms
-----------------------------	-----------

## Frequency Response ( $\pm 0.5$ dB)

High Level .....	5Hz-100kHz
Phono .....	5Hz-50KHz

## THD + Noise (@ rated output 20Hz - 20kHz)

High Level .....	0.005%
Phono .....	0.005%

## Intermodulation Distortion (SMPTE @ rated output)

High Level .....	0.005%
Phono .....	0.005%

## Signal to Noise (@ rated output - A weighted)

High Level .....	$\geq 100$ dB
Phono .....	$\geq 95$ dB

## Input Impedance

High Level .....	25K $\Omega$
Phono .....	47k $\Omega$

## Input Sensitivity (@ rated output)

High Level .....	205 mV
Phono .....	2.4mV

## RIAA accuracy (20Hz - 20kHz)

Phono .....	$\pm 0.25$ dB
-------------	---------------

## Tone Controls

Bass (20Hz) .....	$\pm 11.5$ dB
Treble (20kHz) .....	$\pm 8.5$ dB

# General

Power (available in 230VAC by special order) .....	115VAC—50/60Hz
--	----------------

Chassis Dimensions .....	3" (76.2mm) x 17" (432mm) x 11.5" (292.1mm)
--------------------------	---

Maximum Dimensions .....	3.5" (88.9mm) x 17" (432mm) x 12.5" (317.5mm)
--------------------------	---

Weight .....	12 lbs. (5.5kg)
--------------	-----------------

Weight, Packed .....	15 lbs. (6.8kg)
----------------------	-----------------

# Installer's Notes

**ADCOM**

A division of Klein Technology Group, LLC

8541 East Anderson Drive  
Scottsdale, Arizona 85255

Voice: (480) 607-2277

Fax: (480) 348-9876

<http://www.adcom.com>