



# Battery Operated Smoke Alarm with Hush®

• 0916E

## Hush® Feature

Temporarily silences nuisance alarms.

## Red LED

Flashes every 30-40 seconds to indicate that the smoke alarm is operating.

## Test Button

Tests unit's electronic circuitry, horn, and battery function.



## Description

The Kidde 0916E is a battery operated, single station smoke alarm offering the level of protection that you have come to expect in a Kidde product. The Kidde 0916E is designed to alert you and your family to the dangers of smoke and fire. This smoke alarm features an ionization sensor that protects best against fast flaming and other types of fires. The 0916E is powered by a 9V battery and offers a Hush® feature that temporarily silences nuisance alarms.

## Consumer Benefits

The Kidde 0916E battery operated, single station smoke alarm provides an early warning signal to you and your family in the event of a smoke or fire incident. The 0916E operates on a 9V battery power source that provides continuous protection even during a power outage. Installation is simple and easy with the twist-off mounting plate and requires no wiring. The 0916E includes a Tamper Resist Locking Pin that helps deter battery and alarm theft and a Hush® control feature that will temporarily silence nuisance alarms. This feature can be useful in the kitchen area or other areas prone to nuisance alarms.

## Features and Benefits

- **Hush® Feature** – Temporarily silences nuisance alarms.
- **Red LED** – Flashes every 30-40 seconds to indicate that the smoke alarm is receiving power.
- **Test Button** – Tests unit's electronic circuitry, horn, and battery function.
- **Battery Operated (9V battery included)** – Protects even during power outages.
- **Tamper Resist Locking Pin** – Helps deter from theft or tampering.
- **Low Battery Indicator** – Smoke alarm will chirp in the event of a low battery.
- **Twist-Off Mounting** – For fast installation and easy, safe battery replacement.



## Architectural and Engineering Specifications

The smoke alarm shall be Kidde Unit Number 0916E (part number 0916E) or approved equal. It shall be powered by a 9V battery. The unit shall incorporate an ionization smoke sensor with nominal sensitivity of 1.26%/ft. The temperature operating range shall be between 40°F and 100°F (4°C and 38°C) and the humidity operating range shall be 5% - 95% relative humidity.

The alarm can be installed on the surface of any wall or ceiling following the UL/NFPA/Manufacturer's recommended placement guidelines. The unit shall provide optional tamper resistance that deters removal of the unit from the wall or ceiling.

The alarm shall include a test button that will electronically simulate the presence of smoke and cause the unit to go into alarm. This sequence tests the unit's electronics, battery and horn to ensure proper operation.

The unit shall include a piezoelectric horn that is rated at 85 decibels at 10 feet. In a smoke incident, the horn will sound in the repetitive manner – three (3) beeps, a pause, three (3) beeps, a pause.

The unit shall include the Hush® feature that silences the unit. By pressing the Hush® button, it will desensitize the unit for approximately 7 minutes if a nuisance condition occurs. The alarm will chirp every 30-40 seconds during this time and will automatically reset after approximately 7 minutes and sound the alarm if particles of combustion are still present. The Hush® feature shall be overridden and the unit will alarm if the smoke is too dense.

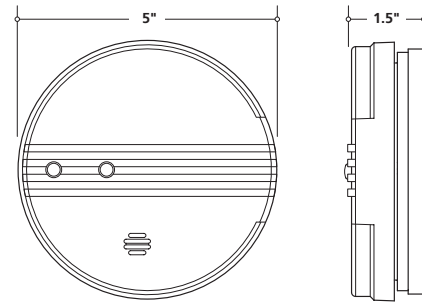
The unit shall also include a low battery warning utilizing a brief alarm chirp every 30-40 seconds for a minimum of seven (7) days.

The alarm will utilize a red LED that shall flash once every 30-40 seconds to indicate the alarm is receiving power.

The unit shall at a minimum meet the requirements of UL217, NFPA72, (chapter 11 2002 edition) The State of California Fire Marshall, NFPA101 (One and two family dwellings) Federal Housing Authority (FHA), Housing and Urban Development (HUD). It shall also include a 5-year manufacturer's limited warranty.

## Technical Specifications

Unit Number:	0916E
UPC Number:	0-25417-00916-3
Power Source:	9V Battery (included)
Sensor:	Ionization
Audio Alarm:	85dB at 10ft
Temperature Range:	40°F (4.4°C) to 100°F (37.8°C)
Humidity Range:	5%-95% relative humidity (RH)
Size:	5" in diameter x 1.5" depth
Weight:	1lb
Interconnects:	No
LED:	Red, normal operation
Warranty:	5 year limited



## Ordering Information

Part Number	UPC	1 of 5	Pack Quantity	Battery Type	Dimensions (w x d x h inches)	Weight	Case/Skid	Layers/Skid	Skid Weight
0916E**	N/A	N/A	Individual	N/A	5.75 x 2 x 6	1lb	N/A	N/A	N/A
0916E	0-25417-00916-3	200 25417 00196 7	Master Pack (12 units)	9V Battery	5.25 x 10.50 x 10.75	12.20lbs	128	8	1558lbs
0916LLE	0-25417-91612-6	200 25417 91612 0	Master Pack (12 units)	Long Life Lithium 9V Battery	5.25 x 10.50 x 10.75	12.10lbs	128	8	1550lbs

\*\*Not for sale by individual unit



UNIT



MASTER PACK



1394 South Third Street, Mebane NC 27302  
1-800-880-6788 • www.kiddeus.com

**Distributed by:**