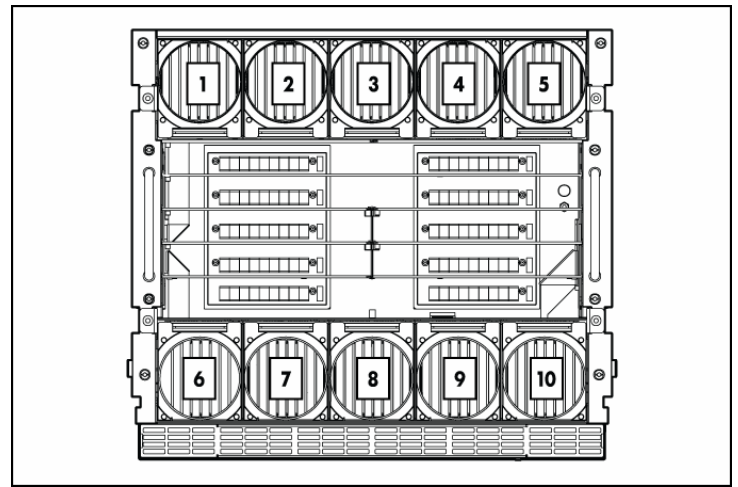


HP Active Cool Fan Installation Instructions

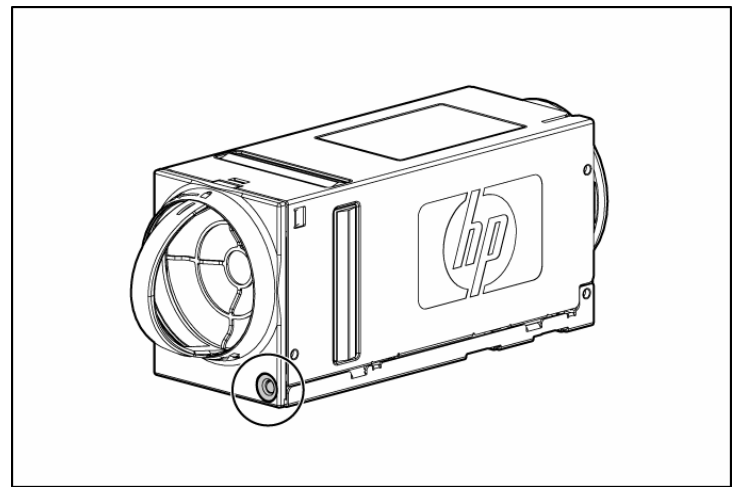
for HP BladeSystem c7000 Enclosures




Fan bay numbering



Fan LEDs



LED color	Fan status
Solid green	The fan is working.
Solid amber	The fan has failed.
Flashing amber	See the Insight Display screen.

 **NOTE:** When installing a fan in a fan bay located on the top row of the enclosure, the fan should be oriented so the LED is in the lower right corner. When installing a fan in a fan bay located on the bottom row of the enclosure, the fan should be oriented so the LED is in the upper left corner.

Installing fans

The HP BladeSystem c7000 Enclosure is shipped with four HP Active Cool Fans and supports up to 10 fans. Fans should be installed in even-numbered groups. Install fans based on the total number of fans ordered:

- Four fans: Bays 3, 5, 8, and 10
- Six fans: Bays 1, 3, 5, 6, 8, and 10
- Eight fans: Bays 1, 3, 4, 5, 6, 8, 9, and 10

© Copyright 2006 Hewlett-Packard Development Company, L.P.

The information contained herein is subject to change without notice. The only warranties for HP products and services are set forth in the express warranty statements accompanying such products and services. Nothing herein should be construed as constituting an additional warranty. HP shall not be liable for technical or editorial errors or omissions contained herein.

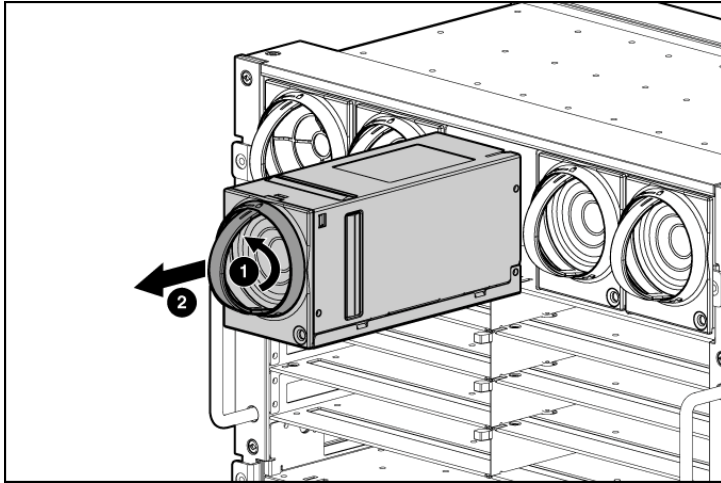
March 2006 (First Edition)
Part Number 413968-001

- Ten fans: All bays

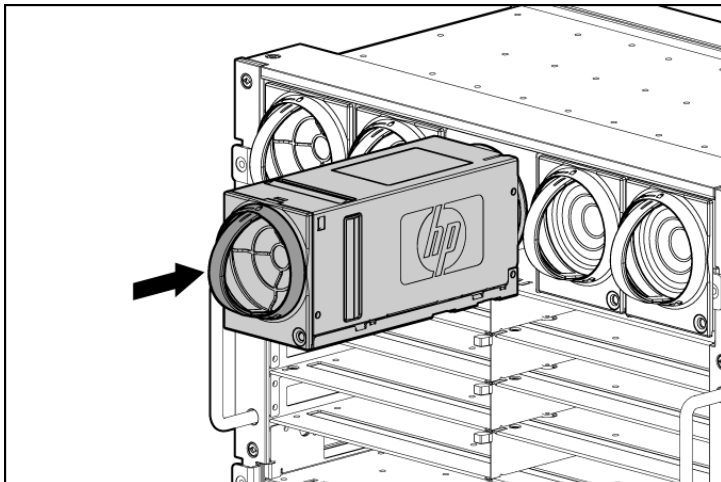
Install fan blanks in any unused fan bays.

To install a fan:

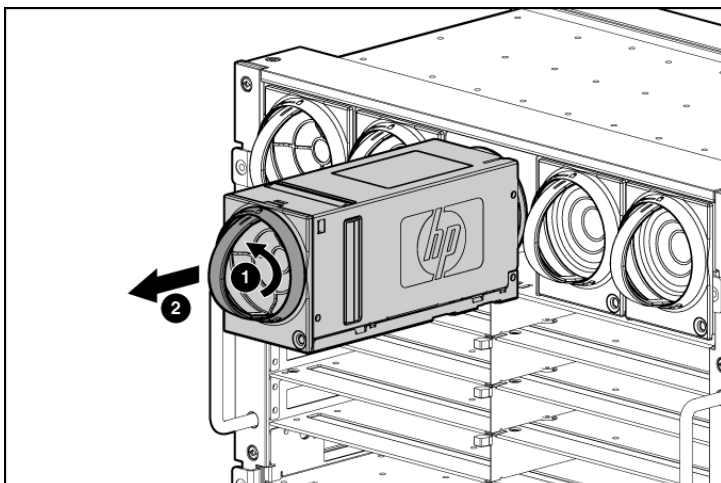
1. Turn the fan blank handle counterclockwise to the unlock position, and pull the fan blank from the enclosure.



2. Position the fan so that the LED is near the interconnect bay, and slide the fan into the enclosure until it locks into place.



To remove a fan, turn the fan handle counterclockwise, and pull the fan from the enclosure.



The installation is complete.