



mellerware®

TRENDS FOR LIFE

VELOCITY III FLOOR FAN



complies with
INTERNATIONAL
IEC60335
SAFETY SPECIFICATIONS

m
60 W

2 YEAR
GUARANTEE

Model:
35951A

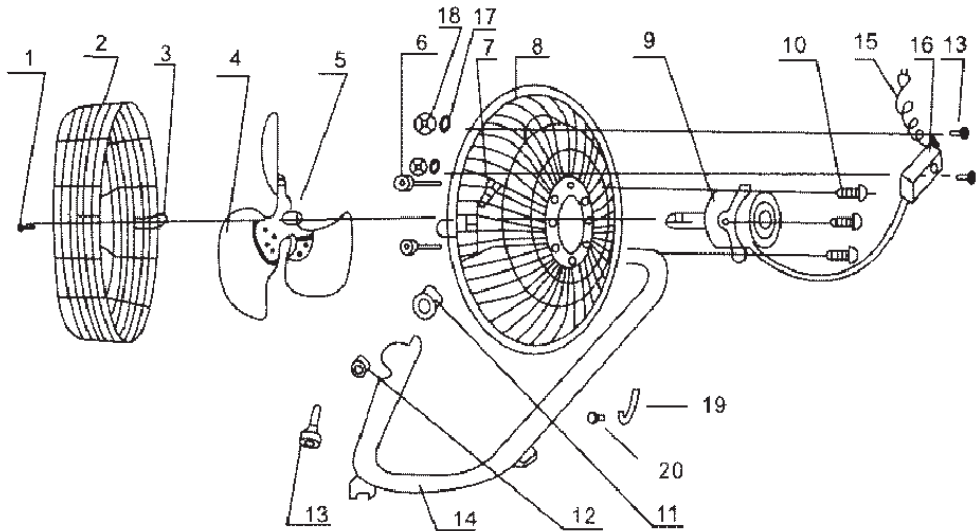
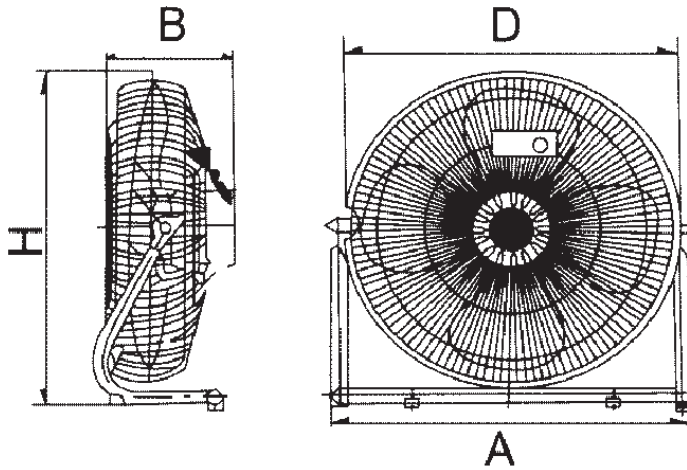
PLEASE READ ALL INSTRUCTIONS BEFORE USE

2 year guarantee





KEYS AND CHARACTERISTICS:



Description

- | | | |
|----------------|--------------------|------------------|
| 1. Screw | 8. Rear Guard | 15. Power Cord |
| 2. Front Guard | 9. Motor | 16. Control Box |
| 3. Guard Clips | 10. Screw | 17. Washer |
| 4. Blade | 11. Plastic Bearer | 18. Nut |
| 5. Set Screw | 12. Locknut | 19. Hanging Hook |
| 6. Nut | 13. Screw | 20. Screw |
| 7. Square Bolt | 14. Tube Base | |





FEATURES:

- Tilt-adjustment for flexible use.
- 3 Speed selection.
- Precision fan blades for powerful airflow with low noise.
- Chrome stand, solid construction with thermal-protection to prevent the motor from overheating.
- Versatile use. It can be used on the floor or desk.

SAFETY FEATURES:

1. Switch off the appliance and disconnect from the mains electricity supply before changing accessories or approaching parts that move in use.
2. This appliance is not intended for use by persons (including children) with reduced physical, sensory or mental capabilities, or lack of experience and knowledge, unless they have been given supervision or instruction concerning use of the appliance by a person responsible for their safety.
3. Children should be supervised to ensure that they do not play with the appliance.
4. If the supply cord is damaged, it must be replaced by the manufacturer, its service agent or similarly qualified persons in order to avoid a hazard.
5. Improper installation may result in the risk of fire, electric shock, or injury.
6. To prevent risk of fire and electric shock, do not use the unit near windows.
7. The fan should be placed on a flat and stable surface when operating to avoid overturning.
8. The fan should not be placed in a damp place or where humidity is high (such as in a bathroom).

OPERATING INSTRUCTIONS:

1. Ensure that the mains voltage corresponds with the voltage indicated on the rating label.

2. Turn the speed control to the desired speed: 0 (off), 1 (slow), 2 (medium), 3 (fast).
3. To change the angle, push the tilt guard to the desired angle.
4. Never touch the blades with your hand, or with any other object, while the fan is plugged into the wall socket.
5. Do not pull on the cord to remove the plug from the wall socket, as this may cause damage. If the cord or any other part of the appliance is damaged, contact the supplier to take it to the nearest authorized repair agent. Do not carry out repairs with any unauthorized electrician, as this will void the guarantee provided for by the supplier.

CLEANING AND MAINTENANCE

1. Disconnect the power cord from the mains. Remove the guard and the blades carefully.
2. Use a cloth with a light soap to clean the oil stains. Then, wipe dry and polish with a dry cloth.
3. Never use polish or any corrosive liquid that may damage the paint, metal, or plastic.
4. Re-assemble the blades and lock the guard securely before use.


Note: Please note that this fan is only intended for use as set out in the above instruction manual. Should it be used for any other purpose, the fan will not be covered by the suppliers guarantee.








creative housewares

 20 Tekstiel Street, Parow, Cape Town, 7493, South Africa

 P.O. Box 6156 Parow East, 7501, South Africa

 +27 21 931 8117  +27 21 931 4058

Service Centre Helpline: 086 111 5006

 www.creativehousewares.co.za

