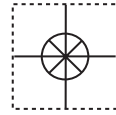


CE



User's Guide

Shop online at

omega.comTM

Ω OMEGA®

www.omega.com

e-mail: <http://omegamanual.info>

For latest information and
product manual visit

www.omegamanual.info.



ISO 9001
CERTIFIED
CORPORATE QUALITY

ISO 9002
CERTIFIED
CORPORATE QUALITY

STAMFORD, CT MANCHESTER, UK

FMG-3000 SERIES Blind version Magmeter



OMEGAnet® Online Service
www.omega.com

Internet e-mail
info@omega.com

Servicing North America:

USA:
ISO 9001 Certified

One Omega Drive, P.O. Box 4047
Stamford CT 06907-0047
TEL: (203) 359-1660 FAX: (203) 359-7700
e-mail: info@omega.com

Canada:

976 Bergar
Laval (Quebec) H7L 5A1
TEL: (514) 856-6928 FAX: (514) 856-6886
e-mail: info@omega.ca

For immediate technical or application assistance:

USA and Canada: Sales Service: 1-800-826-6342 / 1-800-TC-OMEGA®
Customer Service: 1-800-622-2378 / 1-800-622-BEST®
Engineering Service: 1-800-872-9436 / 1-800-USA-WHEN®
TELEX: 996404 EASYLINK: 62968934 CABLE: OMEGA

Mexico:

En Español: (001) 203-359-7803 e-mail: espanol@omega.com
FAX: (001) 203-359-7807 info@omega.com.mx

Servicing Europe:

Benelux:

Postbus 8034, 1180 LA Amstelveen, The Netherlands
TEL: +31 (0)20 3472121 FAX: +31 (0)20 6434643
Toll Free in Benelux: 0800 0993344
e-mail: sales@omegaeng.nl

Czech Republic:

Rudé arm-dy 1868, 733 01 Karvin· 8
TEL: +420 (0)59 6311899 FAX: +420 (0)59 6311114
Toll Free: 0800-1-66342 e-mail: info@omegashop.cz

France:

11, rue Jacques Cartier, 78280 Guyancourt, France
TEL: +33 (0)1 61 37 29 00 FAX: +33 (0)1 30 57 54 27
Toll Free in France: 0800 466 342
e-mail: sales@omega.fr

Germany/Austria:

Daimlerstrasse 26, D-75392 Deckenpfronn, Germany
TEL: +49 (0)7056 9398-0 FAX: +49 (0)7056 9398-29
Toll Free in Germany: 0800 639 7678
e-mail: info@omega.de

United Kingdom:

ISO 9002 Certified

One Omega Drive, River Bend Technology Centre
Northbank, Irlam, Manchester
M44 5BD United Kingdom
TEL: +44 (0)161 777 6611 FAX: +44 (0)161 777 6622
Toll Free in United Kingdom: 0800-488-48
e-mail: sales@omega.co.uk

It is the policy of OMEGA to comply with all worldwide safety and EMC/EMI regulations that apply. OMEGA is constantly pursuing certification of its products to the European New Approach Directives. OMEGA will add the CE mark to every appropriate device upon certification.

The information contained in this document is believed to be correct, but OMEGA Engineering, Inc. accepts no liability for any errors it contains, and reserves the right to alter specifications without notice.

WARNING: These products are not designed for use in, and should not be used for, patient-connected applications.

Omega FMG-3000 Series Magmeter

Topic:	Page	Topic:	Page
1. Quick Start Guide	1	6. General Installation & Grounding Tips	5
2. Specifications	2	7. Wiring the Magmeter with 4-20 Loop out	5
3. Installation Pipe Fittings	3	8. Wiring the Magmeter with freq. out	6
4. Selecting a Location	3	9. Calibration Data	6-10
5. FMG-3000 Magmeter Configuration	4	10. Maintenance & Troubleshooting	11
		11. Ordering Information	12

1. Quick Start Guide

This manual contains the general installation, wiring and calibration data for the Omega FMG-3000 Series Magmeter with Frequency or Current output. The basic steps are outlined on this page. See each referenced section for detailed information.

1. Position the PIPE SIZE Jumper according to your pipe size. Sec. 5 Pg. 4

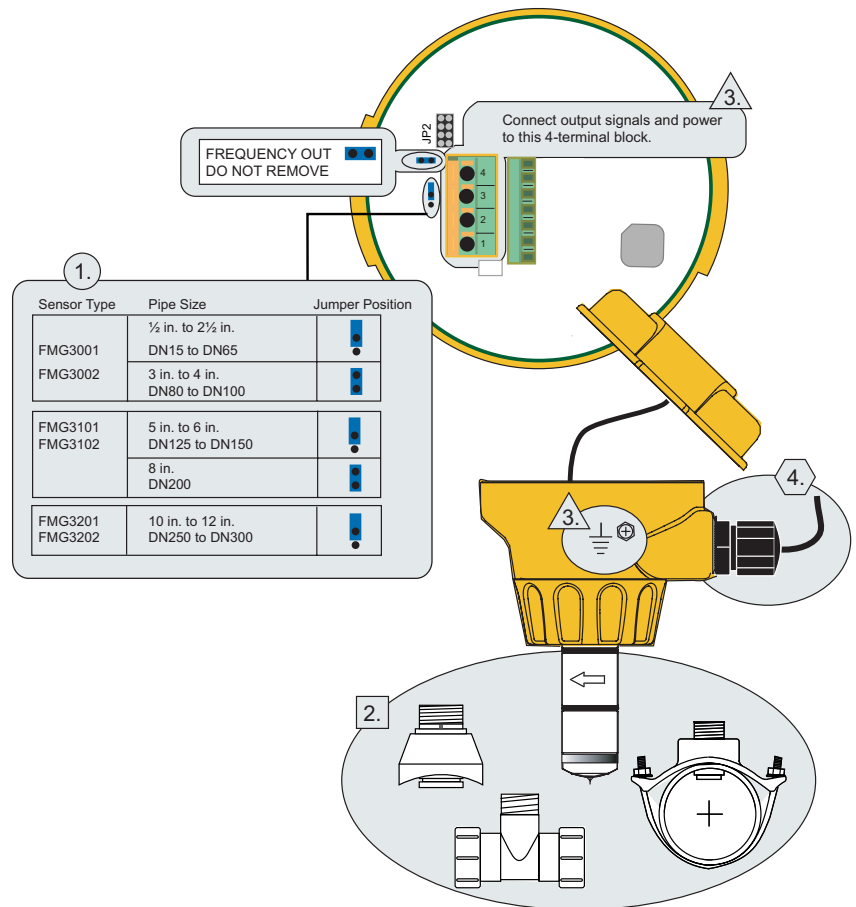
2. Install the Magmeter into the pipe. Use Omega installation fittings ONLY. The installation fitting is critical to Magmeter performance. Sec. 3-4, Pg. 3

3. Connect POWER and OUTPUT wiring. FMG-3001 and FMG-3101 Frequency out: Sec. 8.1 Pg. 6
FMG3002 and FMG-3102 Current out wiring: Sec. 7 Pg. 5

GROUNDING

Without a good Earth Ground, the Magmeter may not operate efficiently. Sec. 6 Pg. 5

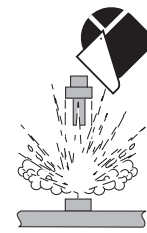
4. Route the wiring out through the two cable ports. Use appropriate hardware to secure the FMG-3000 from moisture intrusion. One Liquid Tight Connector is included. Sec. 5-6 Pg 4-5





SAFETY INSTRUCTIONS

1. Depressurize and vent system prior to installation or removal.
2. Confirm chemical compatibility before use.
3. Do not exceed maximum temperature/pressure specifications.
4. Wear safety goggles or face shield during installation/service.
5. Do not alter product construction.
6. Disconnect power before attempting any service or wiring.



2. Specifications

Wetted Materials:

- Sensor body, electrodes and grounding ring:
 - -PP: Polypropylene and 316L Stainless Steel
 - -PVDF and 316L Stainless Steel
- O-rings: FPM standard
EPDM, Kalrez® optional

Other materials:

- Case: PBT
- Ground terminal: 316 Stainless Steel

Power Requirements

- 4 to 20 mA: 21.6 to 26.4 VDC, 22.1 mA maximum
400 mV p-p maximum ripple voltage
- Frequency: 4.5 to 26.4 VDC, 15 mA maximum
- Reverse polarity and short circuit protected

Performance

- Pipe size range: FMG-3000: ½ in. to 4 in.
FMG-3100: 5 in. to 8 in.
FMG-3200: 10 in. to 12 in.
- Flow Range
Minimum: 0.05 m/s (0.15 ft/s)
Maximum: 10 m/s (33 ft/s)
- Linearity:
±(1% reading + 0.01 m/s)
±(1% reading + 0.033 ft/s)
- Repeatability
±0.5% of reading @ 25°C
- Minimum Conductivity: 20 µS/cm

Output Specifications

Current output (4 to 20 mA)

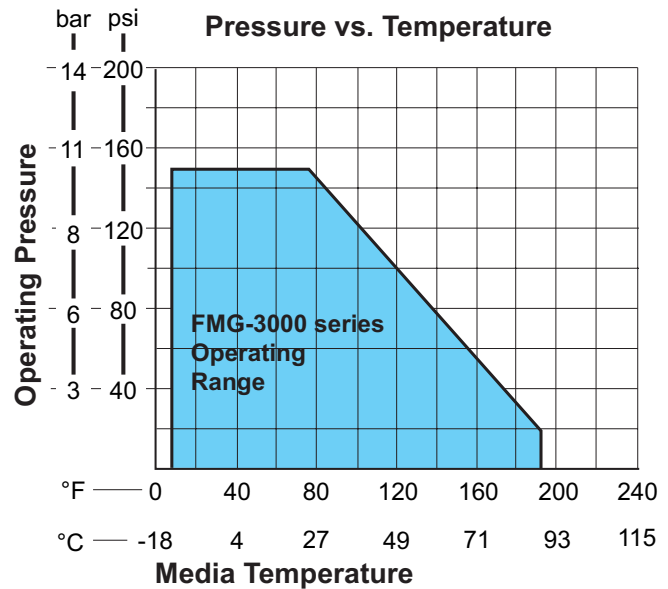
- Programmable and reversible
- Loop Accuracy: 32 µA max. error
(@ 25°C @ 24 VDC)
- Temp. drift: ±1 µA per °C max.
- Power supply rejection: ±1 µA per V
- Isolation: Low voltage <48 VAC/DC
from electrodes and auxiliary power
- Maximum cable: 300 m (1000 ft.)
- Maximum Loop Resistance: 300 Ω
- Error condition: 22.1 mA

Frequency output:

- Max. Pull-up Voltage: 30 VDC
- Short Circuit Protected: ≤30 V @ 0Ω pull-up for one hour
- Reverse Polarity Protected -40 V
- Overvoltage Protected to 40 V with pullup resistor
- Max. Current Sink: 50 mA, current limited
- Maximum cable: 300 m (1000 ft.)

Environmental Requirements

- Storage Temperature: -20°C to 70°C (-4°F to 158°F)
- Relative Humidity: 0 to 95% (noncondensing)
- Operating Temperature
Ambient: -10° to 70°C (14°F to 158°F)
Media: 0° to 85°C (32°F to 185°F)

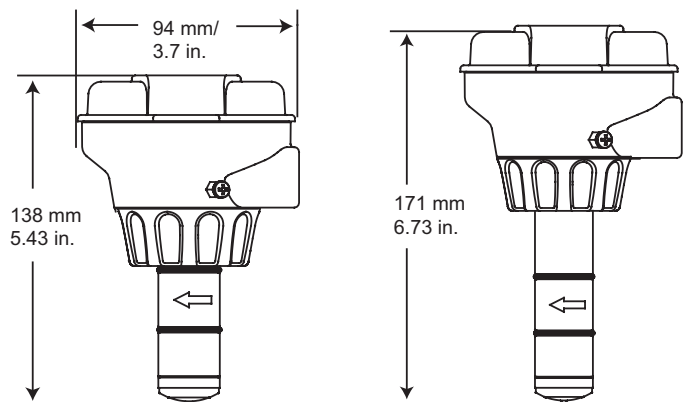


Max. operating pressure: 10.3 bar @ 25°C (150 psi @ 77°F)
1.4 bar @ 85°C (20 psi @ 185°F)

Tests, Approvals & Standards

- NEMA 4X
- CE
EN 61326: Immunity and Emissions for Control Equipment

Dimensions

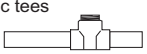










FMG-3000 series
Magmeter
for ½ in. to 4 in. pipe

FMG-3000 series
Magmeter
for 5 to 8 in. pipe

3. Installation: Pipe fittings

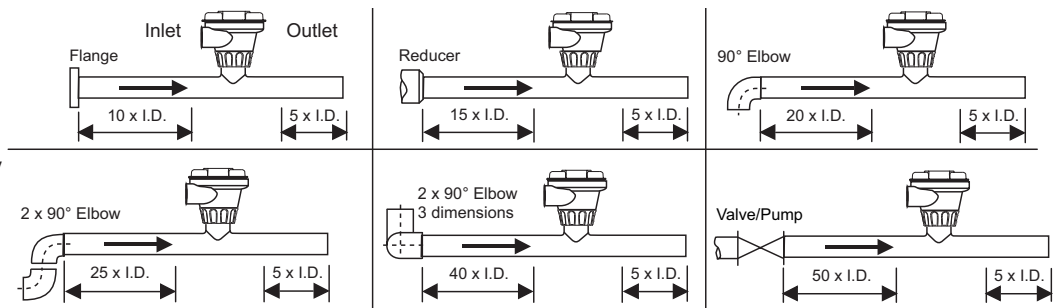
Omega offers a wide selection of installation fittings that control the position of the Magmeter electrodes in relation to the dimensions of the pipe. You will find a complete list of order numbers for installation fittings in the Calibration tables on pages 9-13.

Type	Description	Type	Description
Plastic tees 	<ul style="list-style-type: none"> • 0.5 to 4 inch versions • PVC or CPVC 	Iron, Carbon Steel, 316 SS Threaded tees 	<ul style="list-style-type: none"> • 0.5 to 2 in. versions • Mounts on threaded pipe ends
Metric Union Fitting 	<ul style="list-style-type: none"> • For pipes from DN 15 to 50 mm • PP or PVDF 	Carbon steel & stainless steel Weld-on Weldolets 	<ul style="list-style-type: none"> • 2 to 4 inch, cut 1-7/16 inch hole in pipe • Over 4 inch, cut 2-1/8 inch hole in pipe
PVC Saddles 	<ul style="list-style-type: none"> • 2 to 4 inch, cut 1-7/16 inch hole in pipe • 6 to 8 inch, cut 2-1/8 inch hole in pipe 	Fiberglass tees & saddles: FPT  FPS 	<ul style="list-style-type: none"> • 1.5 in. to 8 in. PVDF insert • > 8 in. PVC insert
Iron Strap-on saddles 	<ul style="list-style-type: none"> • 2 to 4 inch, cut 1-7/16 inch hole in pipe • Over 4 inch, cut 2-1/8 inch hole in pipe 	Metric Wafer Fitting 	<ul style="list-style-type: none"> • For pipes DN 65 to 200 mm • PP or PVDF

4. Selecting a Location

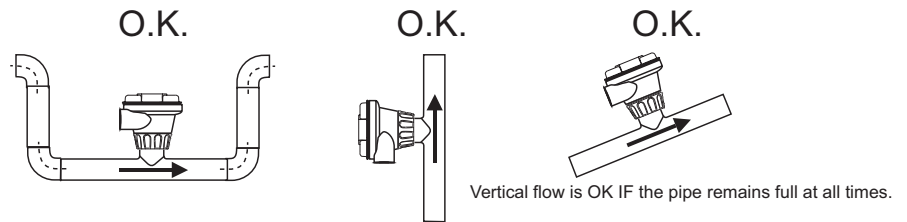
- The FMG-3000 requires a full pipe and a fully developed turbulent flow profile for accurate measurement.
- If the piping system harbors air pockets or bubbles, take steps to locate the sensor so the air pockets will not contact the electrodes.
- In vertical installations, assemble the unit so the conduit ports are facing downward. This prevents condensation inside the conduit from being directed into the electronics housing.

Select a location with sufficient distance of straight pipe immediately upstream of the sensor.

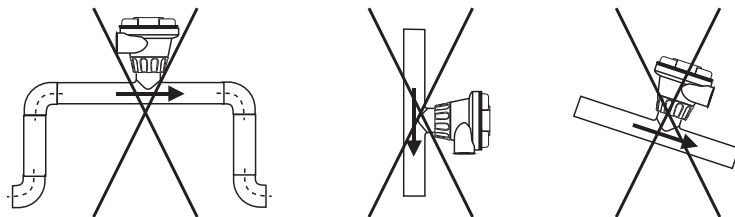


Locating the sensor in a trap or where the flow is upward helps to protect the sensor from exposure to air bubbles when the system is in operation.

NOTE: The system must be designed to keep the sensor wet at all times.

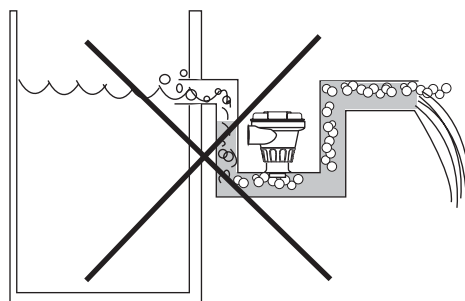


These configurations are not recommended because it is difficult to keep the pipe full.



In a gravity-flow system, the tank must be designed so the level does not drop below the outlet.

This causes the pipe to draw air in from the tank. If air bubbles pass across the Magmeter electrodes, the output will become erratic.

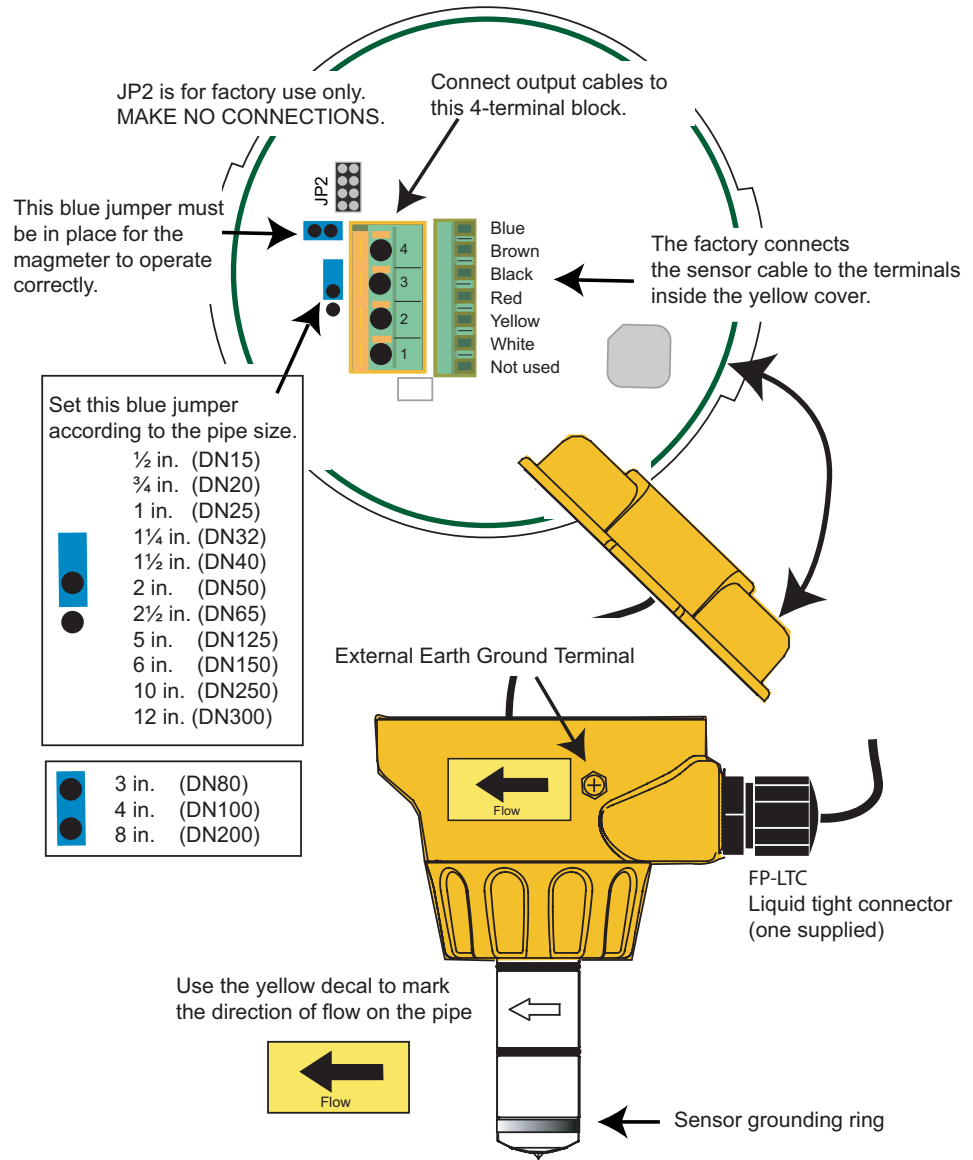


5. FMG-3000 Magmeter Configuration

Whether using the FMG-3000 (frequency or 4-20 mA output) the wiring terminals located on the inside of the yellow cover are identical. All of the connections from the Magmeter to external equipment (Datalogger, Chart Recorder, Flow meter, etc.) are made at the large 4-position terminal connector.

When the cover is removed the wiring from the sensor can be seen connected to the smaller terminal block. These connections should always remain connected to prevent inadvertent damage or miswiring.

The terminals on the FMG-3000 Magmeter are designed for conductors from 16 AWG to 22 AWG.



WARNING!

If the second conduit port is used, carefully drill the opening. (The plastic is too strong to be punched out.)

- Secure the Magmeter in a vise to prevent damage or injury.
- The plastic inside the port is very thin. Do not allow the drill to penetrate too deeply and damage the Magmeter wiring.



Important:

- The directional arrow on the body of the sensor must be pointed DOWNSTREAM.
- The FLOW arrow decal can be placed directly on the pipe to identify the direction of flow.
- Use a cable gland or a liquid tight connector to seal the cable ports from water intrusion.
- The yellow housing may be reversed to align the conduit ports as required.
- If the Magmeter is installed on a vertical pipe, the conduit ports should be turned to point downward. This will prevent condensation from being channeled into the enclosure.
- Use plumber's tape or a suitable sealant on cable ports.

6. General Installation and Grounding Tips

Sensor conditioning

The Magmeter output signal may be unstable immediately after installation. Allowing the sensor to soak in a full pipe (or in any container of water) for 24 hours will stabilize the performance.

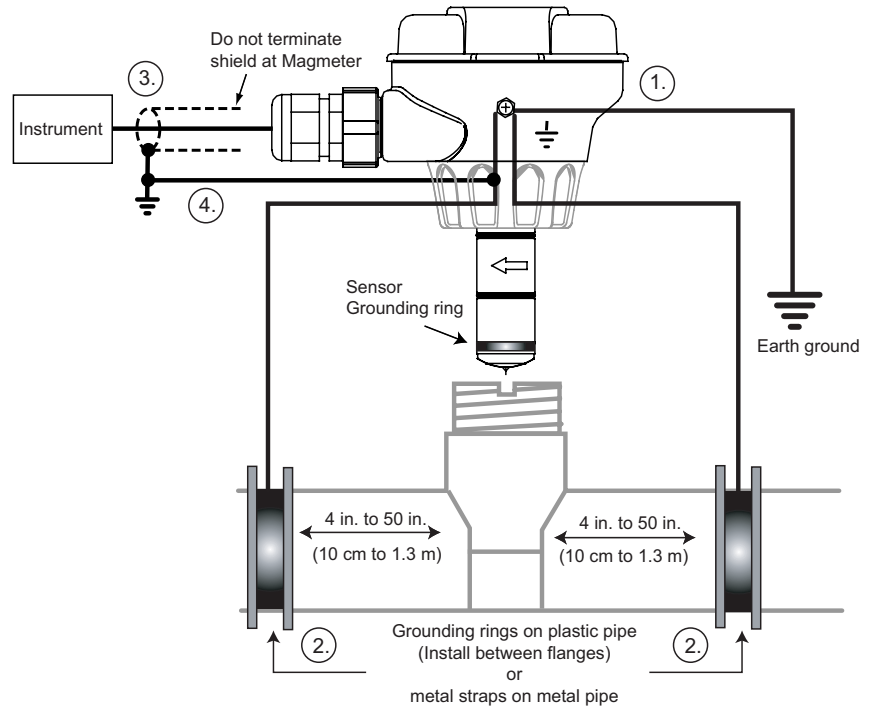
- Very low conductivity fluids may require a longer conditioning period. (The Magmeter may not operate properly in fluids where the conductivity is less than 20 $\mu\text{S}/\text{cm}$.)

Grounding

The FMG-3000 Magmeter is unaffected by moderate levels of electrical noise. However, in some applications it may be necessary to ground portions of the system to eliminate electrical interference. The grounding requirements will vary with each installation.

One or more of the following steps may be applied if the FMG-3000 Magmeter is affected by electrical noise:

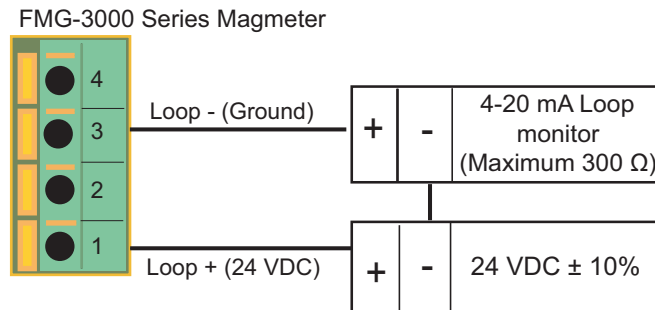
- ① The ground terminal on the outside of the yellow housing is connected internally to the grounding ring at the tip of the sensor. Connect a wire (14 AWG/1.5 mm² recommended) from this terminal directly to a local Earth ground.
- ② Install fluid grounding devices immediately upstream and downstream of the Magmeter. Connect the fluid grounds to the Earth ground terminal on the FMG-3000. Use flanged grounding rings or metal electrodes on plastic pipes, or metal clamps on metal pipes. Fluid grounds must be in direct contact with the fluid, and as near to the Magmeter as possible.
- ③ The shield from the output cable must be terminated at the remote instrument ONLY. This shield must not be connected at both ends!
- ④ Connect an additional wire (minimum AWG 14/1.5 mm²) from the remote instrument ground to the Magmeter ground terminal.



7. Wiring the FMG-3002 and FMG-3102 Magmeter with 4-20 mA Loop Output

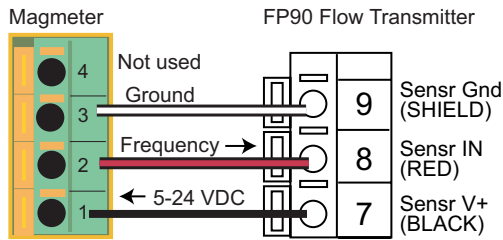
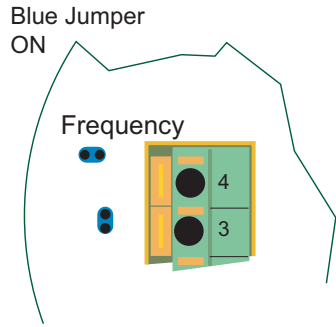
The FMG-3002 and FMG-3102 Magmeters are traditional 2-wire passive 4-20 mA loop transmitters.

- External loop power (24 VDC $\pm 10\%$) is required.
- **The maximum loop resistance the Magmeter can accommodate is 300 Ω .**
- All FMG-3002 and FMG-3102 Magmeters are shipped from the factory with the 4-20 mA output scaled for 0 to 5 m/s (0 to 16.4 ft/s). The Calibration charts on pages 6-10 list the 20 mA setpoint for each installation fitting. Use this information to program the 4-20 mA range of the loop device (PLC, Datalogger, recorder, etc.)

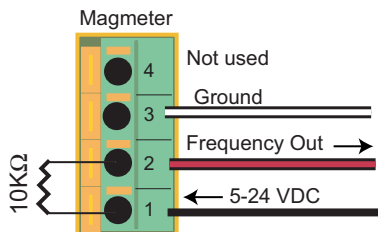


8. Wiring the FMG-3001 and FMG-3101 with Frequency output

- The FMG-3001 and FMG-3101 Magmeters output an open collector frequency signal.
- A 10 K Ω pull up resistor must be connected between terminals 1 and 2 if the magmeter is used with third-party equipment..



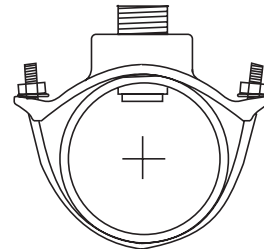
Connect AUX power on the FP90 to provide the power to the FMG3000 OPEN COLLECTOR output.



Install a pull-up resistor when connecting the Magmeter to other manufacturer's flowmeters.

9. Calibration Data: K-factors* and Full Scale Current Values

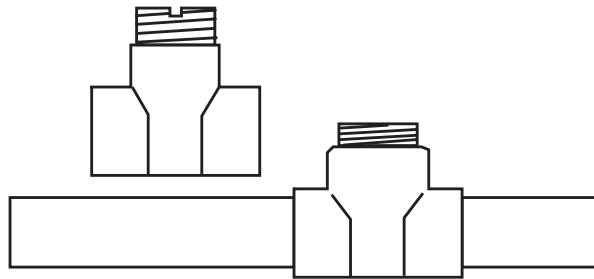
Metal Installation Fittings Iron Saddles



PIPE SIZE (IN.)	FITTING TYPE	K-Factor Gallons	K-Factor Liters*	20 mA= in GPM	20 mA= in LPM
SCH 80 IRON SADDLE ON SCH 80 PIPE					
2	FP-5320GI	194.85	51.48	153.96	582.75
2½	FP-5325GI	142.28	37.59	210.86	798.10
3	FP-5330GI	87.53	23.13	342.72	1297.20
4	FP-5340GI	40.62	10.73	738.58	2795.54
5	FP-5350GI	29.28	7.74	1024.43	3877.48
6	FP-5360GI	22.30	5.89	1345.58	5093.03
8	FP-5380GI	12.52	3.31	2395.41	9066.64
10	FP-5381GI	7.94	2.10	3778.75	14302.5
12	FP-5382GI	5.65	1.49	5311.45	20103.8
SCH 80 IRON SADDLE ON SCH 40 PIPE					
2	FP-5320GIS	185.35	48.97	161.85	612.61
2½	FP-5325GI	127.47	33.68	235.36	890.83
3	FP-5330GI	76.62	20.24	391.54	1481.99
4	FP-5340GI	40.23	10.63	745.72	2822.57
5	FP-5350GI	27.32	7.22	1098.24	4156.83
6	FP-5360GI	19.71	5.21	1521.92	5760.46
8	FP-5380GI	11.61	3.07	2584.23	9781.30
10	FP-5381GI	7.36	1.94	4078.8	15438.2
12	FP-5382GI	5.18	1.37	5793.39	21927.9

9. Calibration Data: K-factors* and Full Scale Current Values

Plastic Installation Fittings: PVC Tees and Saddles



PIPE SIZE (IN.)	FITTING TYPE	K-Factor Gallons	K-Factor Liters*	20 mA= in GPM	20 mA= in LPM
SCH 80 PVC TEES FOR SCH 80 PVC PIPE					
½	FP-5305	2289.37	604.85	13.10	49.60
¾	FP-5307	1430.41	377.92	20.97	79.38
1	FP-5310	876.86	231.67	34.21	129.50
1¼	FP-5312	447.06	118.11	67.10	253.99
1½	FP-5315	324.19	85.65	92.54	350.25
2	FP-5315	206.69	54.61	145.15	549.38
2½	FP-5325	131.46	34.73	228.20	863.74
3	FP-5330	82.52	21.80	363.55	1376.04
4	FP-5340	44.78	11.83	669.88	2535.49
SCH 80 PVC TEES FOR SCH 80 CPVC PIPE					
½	FP-5305C	2496.03	659.45	12.02	45.49
¾	FP-5307C	1381.48	364.99	21.72	82.19
1	FP-5310C	857.98	226.68	34.97	132.34
1¼	FP-5312C	445.17	117.61	67.39	255.07
1½	FP-5315C	325.56	86.01	92.15	348.78
SCH 80 PVC SADDLES FOR SCH 80 PVC PIPE					
2	FP-5320S	193.83	51.21	154.77	585.81
2½	FP-5325S	138.01	36.46	217.38	822.78
3	FP-5330S	83.89	22.16	357.62	1353.60
4	FP-5340S	40.88	10.80	733.88	2777.74
6	FP-5360S	22.53	5.95	1331.85	5041.06
8	FP-5380S	12.52	3.31	2395.41	9066.64
10	FP-5381S	7.94	2.10	3778.75	14302.57
12	FP-5382S	5.71	1.51	5256.69	19896.57
SCH 80 PVC SADDLES FOR SCH 40 PVC PIPE					
2	FP-5320S	180.01	47.56	166.66	630.81
2½	FP-5325S	123.72	32.69	242.49	917.82
3	FP-5330S	75.81	20.03	395.71	1497.76
4	FP-5340S	41.87	11.06	716.56	2712.19
6	FP-5360S	19.71	5.21	1521.92	5760.46
8	FP-5380S	11.73	3.10	2558.12	9682.50
10	FP-5381S	7.43	1.96	4037.60	15282.3
12	FP-5382S	5.23	1.38	5734.87	21706.48

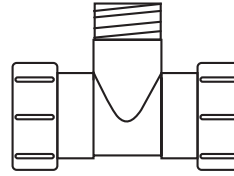
9. Calibration Data: K-factors* and Full Scale Current Values

Plastic Installation Fittings for Metric Pipes:

Polypropylene True Union Tees and Wafers

PVDF True Union Tees and Wafers

PVC True Union Tees and Wafers



PIPE SIZE (IN.)	FITTING TYPE	K-Factor Gallons	K-Factor Liters*	20 mA= in GPM	20 mA= in LPM
POLYPROPYLENE FITTINGS (DIN/ISO ,BS, ANSI)					
½	FP-5105PO	2192.73	579.32	13.68	51.78
¾	FP-5107PO	1327.81	350.81	22.59	85.52
1	FP-5110PO	737.16	194.76	40.70	154.04
1¼	FP-5112PO	453.46	119.81	66.16	250.41
1½	FP-5115PO	275.03	72.66	109.08	412.86
2	FP-5120PO	156.87	41.45	191.24	723.83
PVDF FITTINGS (DIN/ISO ,BS, ANSI)					
½	FP-5105	1946.49	514.26	15.41	58.34
¾	FP-5107	1158.05	305.96	25.91	98.05
1	FP-5110	749.09	197.91	40.05	151.58
1¼	FP-5112	439.51	116.12	68.26	258.36
1½	FP-5115	248.93	65.77	120.52	456.16
2	FP-5120	146.85	38.80	204.30	773.26

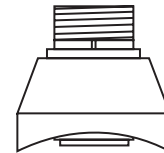
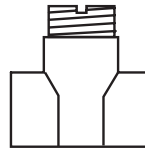
9. Calibration Data: K-factors* and Full Scale Current Values

Metal Installation Fittings:

Carbon Steel Tees and Weld-o-Lets

Stainless Steel Tees and Weld-o-Lets

Galvanized Iron Tees

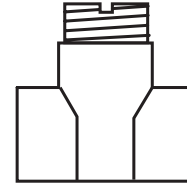
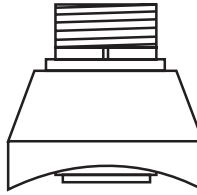


PIPE SIZE (IN.)	FITTING TYPE	K-Factor Gallons	K-Factor Liters*	20 mA= in GPM	20 mA= in LPM
CARBON STEEL TEES ON SCH 40 PIPE					
½	FMG-5305CS	1572.66	415.50	19.08	72.20
¾	FMG-5307CS	1086.73	287.11	27.61	104.49
1	FMG-5310CS	582.34	153.86	51.52	194.99
1¼	FMG-5312CS	377.48	99.73	79.48	300.81
1½	FMG-5315CS	267.79	70.75	112.03	424.02
2	FMG-5320CS	167.85	44.35	178.73	676.48
STAINLESS STEEL TEES ON SCH 40 PIPE					
½	FMG-5305	1601.26	423.05	18.74	70.91
¾	FMG-5307	937.78	247.76	31.99	121.08
1	FMG-5310	606.18	160.15	49.49	187.32
1¼	FMG-5312	279.68	73.89	107.26	405.99
1½	FMG-5315	147.65	39.01	203.19	769.06
2	FMG-5320	111.90	29.56	268.09	1014.73
STAINLESS STEEL WELDOLETS ON SCH 40 PIPE					
2½	FMG-5325	106.31	28.09	282.19	1068.10
3	FMG-5330	72.27	19.09	415.12	1571.25
4	FMG-5340	36.84	9.73	814.34	3082.28
4	FMG-5350	29.28	7.73	1024.70	3878.50
4	FMG-5360	20.29	5.36	1478.26	5595.21
8	FMG-5380	11.73	3.10	2557.72	9680.96
10	FMG-5381	7.45	1.97	4028.83	15249.1
12	FMG-5382	5.24	1.39	5722.73	21660.5
CARBON STEEL WELDOLETS ON SCH 40 PIPE					
2½	FMG-5325CS	105.70	27.93	283.82	1074.27
3	FMG-5330CS	70.68	18.67	424.45	1606.56
4	FMG-5340CS	36.38	9.61	824.65	3121.30
4	FMG-5350CS	29.28	7.73	1024.70	3878.50
6	FMG-5360CS	20.29	5.36	1478.26	5595.21
8	FMG-5380CS	11.73	3.10	2557.72	9680.96
10	FP-5381CS	7.45	1.97	4028.83	15249.1
12	FP-5382CS	5.24	1.39	5722.73	21660.5
GALVANIZED IRON TEES ON SCH 40 PIPE					
1	FP-5310GI	558.50	147.56	53.71	203.31
1¼	FP-5312GI	334.45	88.36	89.70	339.51
1½	FP-5315GI	248.97	65.78	120.49	456.07
2	FP-5320GIS	146.00	38.57	205.48	777.76

9. Calibration Data: K-factors* and Full Scale Current Values

Metal Installation Fittings:

Bronze and Copper Tees and Brazolets



PIPE SIZE (IN.)	FITTING TYPE	K-Factor Gallons	K-Factor Liters*	20 mA= in GPM	20 mA= in LPM
BRONZE TEES ON SCH 40 PIPE					
1	FP-5310BR	582.34	153.86	51.52	194.99
1¼	FP-5312BR	330.54	87.33	90.76	343.53
1½	FP-5315BR	254.76	67.31	117.76	445.71
2	FP-5320BR	157.36	41.58	190.64	721.58
COPPER TEES FITTING ON COPPER PIPE SCH K					
½	FP-5305CU	2459.19	649.72	12.20	46.17
¾	FP-5307CU	1108.02	292.74	27.08	102.48
1	FP-5310CU	649.87	171.70	46.16	174.73
1¼	FP-5312CU	422.03	111.50	71.09	269.06
1½	FP-5315CU	281.43	74.35	106.60	403.47
2	FP-5320CU	136.02	35.94	220.55	834.78
COPPER TEES FITTING ON COPPER PIPE SCH L					
½	FP-5305CU	2406.30	635.75	12.47	47.19
¾	FP-5307CU	1174.77	310.37	25.54	96.66
1	FP-5310CU	672.28	177.62	44.62	168.90
1¼	FP-5312CU	402.84	106.43	74.47	281.87
1½	FP-5315CU	294.99	77.94	101.70	384.92
2	FP-5320CU	149.63	39.53	200.50	758.89
COPPER/BRONZE BRAZOLET ON SCH 40 PIPE					
2½	FP-5325BR	117.31	30.99	255.74	967.96
3	FP-5330BR	78.62	20.77	381.58	1444.28
4	FP-5340BR	45.13	11.92	664.77	2516.15
5	FP-5350BR	32.79	8.66	914.91	3462.95
6	FP-5360BR	22.73	6.01	1319.87	4995.72
8	FP-5380BR	13.14	3.47	2283.68	8643.71
10	FP-5381BR	8.34	2.20	3597.17	13615.29
12	FP-5382BR	5.87	1.55	5109.58	19339.76

10. Maintenance

The FMG-3000 series Magmeter requires very little maintenance. There are no user-serviceable components in the Magmeter.

- If the fluid contains deposits and solids that may coat the electrodes, a regular cleaning schedule is recommended.
- Do not use abrasive materials on the metal electrodes. Clean with soft cloth and mild detergent only.
- Use a cotton swab and mild detergent to remove deposits on the metal electrodes at the tip of the sensor.

10.1. Environmental Recommendations:

- When used properly, this product presents no inherent danger to the environment.
- Please follow local ordinance when disposing of this or any product with electronic components.

10.2 Troubleshooting

Symptom	Possible Cause	Possible Solution
<ul style="list-style-type: none"> • Frequency or Current output is erratic. 	<ul style="list-style-type: none"> • Magmeter installed too close to upstream obstruction. • Magmeter electrodes are coated with solids. • Magmeter electrodes exposed to air bubbles/pockets. • Electrical noise is interfering with the measurement. • New sensor, metal surface not properly conditioned. 	<ul style="list-style-type: none"> • Move the Magmeter upstream at least 10 pipe diameters from obstruction. • Clean the electrodes with soft cloth. Do not use abrasives. • Eliminate air bubbles in the pipe. • Remove the Magmeter and reinstall with the flow direction arrow on the sensor body pointed DOWNSTREAM. • Modify grounding as required to protect the Magmeter from interference. • Soak sensor overnight in fluid.
<ul style="list-style-type: none"> • Output is not 0 when flow is stopped. 	<ul style="list-style-type: none"> • Electrode not adequately conditioned. • Pipe is empty, Magmeter is not in fluid. • Electrical noise is interfering with the measurement. • Defective Magmeter 	<ul style="list-style-type: none"> • Soak sensor overnight in fluid. • Configure pipe so electrodes are always in fluid. • Modify grounding as required to protect the Magmeter from interference. • Set low flow cutoff higher. • Return to factory for service.
<ul style="list-style-type: none"> • 4-20 mA output is incorrect. 	<ul style="list-style-type: none"> • 4-20 mA is not scaled same as Loop device. • Loop device is not scaled same as Magmeter. • Range Jumper not placed correctly. • Defective Magmeter 	<ul style="list-style-type: none"> • Respan Loop device to match Magmeter. • Set Range Jumper correctly. • Return to factory for service.
<ul style="list-style-type: none"> • Frequency output is inoperative • Loop output is inoperative. 	<ul style="list-style-type: none"> • FMG-3000 is wrong model. • Blue jumper not in correct position. • Wiring is not correct. • Frequency input to other manufacturer's flow instrument does not have pull-up resistor. 	<ul style="list-style-type: none"> • Frequency model is FMG-3001 and FMG-3101 series. • Place blue jumper correctly. (Sec. 5 pg. 9) • Check wiring, make corrections. • Install 10kΩ resistor. Sec 8.1, pg. 6)
<ul style="list-style-type: none"> • Output is 22.1 mA. 	<ul style="list-style-type: none"> • Conductivity is less than 20 μS/cm. • Electronic component failure. 	<ul style="list-style-type: none"> • Unsuitable application for Magmeter. • Return to factory for service.

Troubleshooting with the RED and BLUE lights

The FMG-3000 uses two colored LEDs to indicate the status of the instrument. They are located at the top of the magmeter, inside the clear plastic cap.

No Lights:

The power is off or the sensor is not connected

Solid Blue (D7):

The power is on but there is no flow in the pipe.

Blinking Blue (D7):

Normal operation, blink rate is proportional to the flow rate.

Alternating Red-Blue:

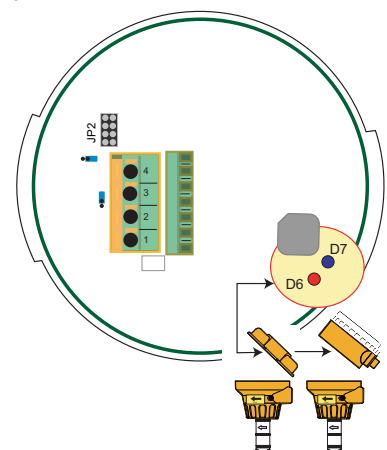
Empty pipe indication (electrodes are not wet.)

Blinking Red (D6):

System errors (Electrical noise interference)

Solid Red (D6):

Instrument error (defective electronics component)



11. Ordering Information

OMEGAMAG with Frequency Output

FMG3001-PP	OMEGAMAG, Blind, Freq, PP/316SS, 1/2-4
FMG3101-PP	OMEGAMAG, Blind, Freq, PP/316SS, 5-8
FMG3201-PP	OMEGAMAG, Blind, Freq, PP/316SS, 10-12
FMG-3001-PVDF-HA	OMEGAMAG, Blind, Freq, PVDF/Hast, 1/2-4
FMG3101-PVDF-HA	OMEGAMAG, Blind, Freq, PVDF/Hast, 5-8
FMG3201-PVDF-HA	OMEGAMAG, Blind, Freq, PVDF/Hast, 10-12
FMG-3001-PVDF	OMEGAMAG, Blind, Freq, PVDF/316SS, 1/2-4
FMG3101-PVDF	OMEGAMAG, Blind, Freq, PVDF/316SS, 5-8
FMG3201-PVDF	OMEGAMAG, Blind, Freq, PVDF/316SS, 10-12
FMG-3001-PVDF-TI	OMEGAMAG, Blind, Freq, PVDF/Ti, 1/2-4
FMG3101-PVDF-TI	OMEGAMAG, Blind, Freq, PVDF/Ti, 5-8

OMEGAMAG with 4-20 mA Loop Output

FMG3002-PP	OMEGAMAG, Blind, Loop, PP/316SS, 1/2-4
FMG3102-PP	OMEGAMAG, Blind, Loop, PP/316SS, 5-8
FMG3202-PP	OMEGAMAG, Blind, Loop, PP/316SS, 10-12
FMG3002-PVDF-HA	OMEGAMAG, Blind, Loop, PVDF/Hast, 1/2-4
FMG3102-PVDF-HA	OMEGAMAG, Blind, Loop, PVDF/Hast, 5-8
FMG3202-PVDF-HA	OMEGAMAG, Blind, Loop, PVDF/Hast, 10-12
FMG3002-PVDF	OMEGAMAG, Blind, Loop, PVDF/316SS, 1/2-4
FMG3102-PVDF	OMEGAMAG, Blind, Loop, PVDF/316SS, 5-8
FMG3202-PVDF	OMEGAMAG, Blind, Loop, PVDF/316SS, 10-12
FMG3002-PVDF-TI	OMEGAMAG, Blind, Loop, PVDF/Ti, 1/2-4
FMG3102-PVDF-TI	OMEGAMAG, Blind, Loop, PVDF/Ti, 5-8

Replacement Parts and Accessories

FMG3000-VO	O-ring, FPM (Viton®)
FMG3000-EO	O-ring, EPDM
FMG3000-KO	O-ring, FFPM (Kalrez®)
FP-LTC	Liquid Tight Connector



WARRANTY/DISCLAIMER

OMEGA ENGINEERING, INC. warrants this unit to be free of defects in materials and workmanship for a period of 13 months from date of purchase. OMEGA's WARRANTY adds an additional one (1) month grace period to the normal one (1) year product warranty to cover handling and shipping time. This ensures that OMEGA's customers receive maximum coverage on each product.

If the unit malfunctions, it must be returned to the factory for evaluation. OMEGA's Customer Service Department will issue an Authorized Return (AR) number immediately upon phone or written request. Upon examination by OMEGA, if the unit is found to be defective, it will be repaired or replaced at no charge. OMEGA's WARRANTY does not apply to defects resulting from any action of the purchaser, including but not limited to mishandling, improper interfacing, operation outside of design limits, improper repair, or unauthorized modification. This WARRANTY is VOID if the unit shows evidence of having been tampered with or shows evidence of having been damaged as a result of excessive corrosion; or current, heat, moisture or vibration; improper specification; misapplication; misuse or other operating conditions outside of OMEGA's control. Components which wear are not warranted, including but not limited to contact points, fuses, and triacs.

OMEGA is pleased to offer suggestions on the use of its various products. However, OMEGA neither assumes responsibility for any omissions or errors nor assumes liability for any damages that result from the use of its products in accordance with information provided by OMEGA, either verbal or written. OMEGA warrants only that the parts manufactured by it will be as specified and free of defects. OMEGA MAKES NO OTHER WARRANTIES OR REPRESENTATIONS OF ANY KIND WHATSOEVER, EXPRESS OR IMPLIED, EXCEPT THAT OF TITLE, AND ALL IMPLIED WARRANTIES INCLUDING ANY WARRANTY OF MERCHANTABILITY AND FITNESS FOR A PARTICULAR PURPOSE ARE HEREBY DISCLAIMED. LIMITATION OF LIABILITY: The remedies of purchaser set forth herein are exclusive, and the total liability of OMEGA with respect to this order, whether based on contract, warranty, negligence, indemnification, strict liability or otherwise, shall not exceed the purchase price of the component upon which liability is based. In no event shall OMEGA be liable for consequential, incidental or special damages.

CONDITIONS: Equipment sold by OMEGA is not intended to be used, nor shall it be used: (1) as a "Basic Component" under 10 CFR 21 (NRC), used in or with any nuclear installation or activity; or (2) in medical applications or used on humans. Should any Product(s) be used in or with any nuclear installation or activity, medical application, used on humans, or misused in any way, OMEGA assumes no responsibility as set forth in our basic WARRANTY / DISCLAIMER language, and, additionally, purchaser will indemnify OMEGA and hold OMEGA harmless from any liability or damage whatsoever arising out of the use of the Product(s) in such a manner.

RETURN REQUESTS/INQUIRIES

Direct all warranty and repair requests/inquiries to the OMEGA Customer Service Department. BEFORE RETURNING ANY PRODUCT(S) TO OMEGA, PURCHASER MUST OBTAIN AN AUTHORIZED RETURN (AR) NUMBER FROM OMEGA'S CUSTOMER SERVICE DEPARTMENT (IN ORDER TO AVOID PROCESSING DELAYS). The assigned AR number should then be marked on the outside of the return package and on any correspondence.

The purchaser is responsible for shipping charges, freight, insurance and proper packaging to prevent breakage in transit.

FOR WARRANTY RETURNS, please have the following information available BEFORE contacting OMEGA:

1. Purchase Order number under which the product was PURCHASED,
2. Model and serial number of the product under warranty, and
3. Repair instructions and/or specific problems relative to the product.

FOR NON-WARRANTY REPAIRS, consult OMEGA for current repair charges. Have the following information available BEFORE contacting OMEGA:

1. Purchase Order number to cover the COST of the repair,
2. Model and serial number of the product, and
3. Repair instructions and/or specific problems relative to the product.

OMEGA's policy is to make running changes, not model changes, whenever an improvement is possible. This affords our customers the latest in technology and engineering.

OMEGA is a registered trademark of OMEGA ENGINEERING, INC.

© Copyright 2000 OMEGA ENGINEERING, INC. All rights reserved. This document may not be copied, photocopied, reproduced, translated, or reduced to any electronic medium or machine-readable form, in whole or in part, without the prior written consent of OMEGA ENGINEERING, INC.

Where Do I Find Everything I Need for Process Measurement and Control? OMEGA...Of Course!

Shop online at www.omega.com

TEMPERATURE

- Thermocouple, RTD & Thermistor Probes, Connectors, Panels & Assemblies
- Wire: Thermocouple, RTD & Thermistor
- Calibrators & Ice Point References
- Recorders, Controllers & Process Monitors
- Infrared Pyrometers

PRESSURE, STRAIN AND FORCE

- Transducers & Strain Gages
- Load Cells & Pressure Gages
- Displacement Transducers
- Instrumentation & Accessories

FLOW/LEVEL

- Rotameters, Gas Mass Flowmeters & Flow Computers
- Air Velocity Indicators
- Turbine/Paddlewheel Systems
- Totalizers & Batch Controllers

pH/CONDUCTIVITY

- pH Electrodes, Testers & Accessories
- Benchtop/Laboratory Meters
- Controllers, Calibrators, Simulators & Pumps
- Industrial pH & Conductivity Equipment

DATA ACQUISITION

- Data Acquisition & Engineering Software
- Communications-Based Acquisition Systems
- Plug-in Cards for Apple, IBM & Compatibles
- Datalogging Systems
- Recorders, Printers & Plotters

HEATERS

- Heating Cable
- Cartridge & Strip Heaters
- Immersion & Band Heaters
- Flexible Heaters
- Laboratory Heaters

ENVIRONMENTAL MONITORING AND CONTROL

- Metering & Control Instrumentation
- Refractometers
- Pumps & Tubing
- Air, Soil & Water Monitors
- Industrial Water & Wastewater Treatment
- pH, Conductivity & Dissolved Oxygen Instruments