

READ AND SAVE THESE INSTRUCTIONS

WARNING: A risk of fire and electrical shock exists in all electrical appliances and may cause personal injury or death. Please follow all safety instructions.



Toaster-Oven

Use and Care Guide - Models 353 and 353CAN

- BAKES, TOASTS AND TOP BROWNS
- 2-SLICE CAPACITY
- LED POWER LIGHT
- CHROME-PLATED OVEN RACK
- 15-MINUTE TIMER
- RACK ADVANCES WHEN DOOR IS OPENED

IMPORTANT SAFEGUARDS

When using electrical appliances, basic safety precautions should always be followed to reduce the risk of fire, electric shock and injury to persons, including the following:

- Read all instructions before using appliance.
- Close supervision is necessary when any appliance is used near children.
- This appliance is not for use by children.
- Do not touch hot surfaces. Use handles or knobs and oven mitts.
- Do not operate any damaged appliance. Do not operate with a damaged cord or plug, or after the appliance malfunctions or has been dropped or damaged in any manner. Return appliance to the nearest authorized service center for examination, repair, electrical or mechanical adjustment.
- Before using this appliance, move it four to six inches from the wall or any object on the countertop. Do not store any item on top of the appliance. Do not use on surfaces where heat may cause a problem.
- A fire may occur if this appliance touches or is covered by flammable material, including curtains, draperies, walls, etc., when in operation.
- Do not store any materials, other than manufacturer's recommended accessories, in this oven when not in use.
- Do not cover any part of the oven with metal foil. This will cause overheating of the oven.
- Extreme caution should be exercised when using containers constructed of other than metal.
- Do not place any flammable material such as paper, cardboard, plastic, etc. in the oven.
- Oversized foods or utensils must not be inserted into the toaster-oven.
- To protect against electrical shock do not immerse cord, plug or appliance in water or other liquid. See instructions for cleaning.
- Do not use outdoors or while standing in a damp area.
- Do not clean with metal scouring pads. Pieces of the pad may break off and touch electrical parts.
- Unplug from outlet when not in use and before cleaning. Turn timer to OFF (O) position before unplugging. Allow to cool before attaching or removing parts and before cleaning the appliance.
- CAUTION: Never leave toaster-oven unattended.
- The toaster-oven is off when the timer is in the OFF (O) position.
- Do not let cord hang over edge of table or counter, or touch hot surfaces.
- Extreme caution must be used when moving an appliance containing hot oil or other hot liquids.
- Do not place on or near a hot gas or electric burner or in a heated oven.
- Use of attachments not recommended by Toastmaster Inc. may cause injuries.
- Use appliance only as indicated in these instructions.

SAVE THESE INSTRUCTIONS

CAUTION: A short power supply cord is provided to reduce the risk of personal injury resulting from becoming entangled in or tripping over a longer cord. Extension cords are available from local hardware stores and may be used if care is exercised in their use. If an extension cord is required, special care and caution is necessary. Also the cord must be: (1) marked with an electrical rating of 125 V and at least 10 A, 1250 W, and (2) the cord must be arranged so that it will not drape over the countertop or tabletop where it can be pulled on by children or tripped over accidentally.

POLARIZED PLUG: This appliance has a polarized plug, (one blade is wider than the other). As a safety feature to reduce the risk of electrical shock, this plug is intended to fit in a polarized outlet only one way. If the plug does not fit fully in the outlet, reverse the plug. If it still does not fit, contact a qualified electrician. Do not attempt to defeat this safety feature.

ELECTRIC POWER: If the electric circuit is overloaded with other appliances, your appliance may not operate properly. It should be operated on a separate electrical circuit from other appliances.

THIS PRODUCT IS FOR HOUSEHOLD USE ONLY

Remove all packaging materials including the piece of paper that has been placed between the top of the oven door and oven for protection during shipping. Also remove the piece of cardboard that has also been placed between the bottom of the oven door and the oven.

GETTING TO KNOW YOUR TOASTER-OVEN


Your new Toastmaster toaster-oven has the versatility to bake, toast and top brown. The LED Power Light will be on any time the unit is operating.


CAUTION: APPLIANCE SURFACES ARE HOT DURING AND AFTER USE.

CAUTION: ALWAYS WEAR PROTECTIVE, INSULATED OVEN MITTS ON HANDS WHEN TOUCHING HOT OVEN OR HOT DISHES AND FOOD OR WHEN INSERTING OR REMOVING WIRE RACK, BAKING DISH AND FOOD.

Ovenware manufacturers do not recommend using see through glass baking containers or lids in this oven. Glass-ceramic baking containers may be used. Do not use oven roasting bags in this oven, as they may come in contact with the heating elements.

COOKING MODE DIAL

 Select for BAKE or TOAST mode, (top and bottom elements will be on).

 Select for TOP BROWN mode, (top element only will be on).

TIMER

The TIMER control dial also acts as the oven's on and off switch. Turn the timer clockwise to select the appropriate cooking time up to 15 minutes. If cooking less than 15 minutes, turn timer to 15 minutes and then back to desired cooking time. When cooking time is complete, a signal will sound and the unit will turn off automatically.

If you are cooking for more than 15 minutes, or do not wish to use the timer feature, simply turn the dial counter-clockwise to STAY ON to turn the oven on. Return to OFF (O) position when cooking is complete.

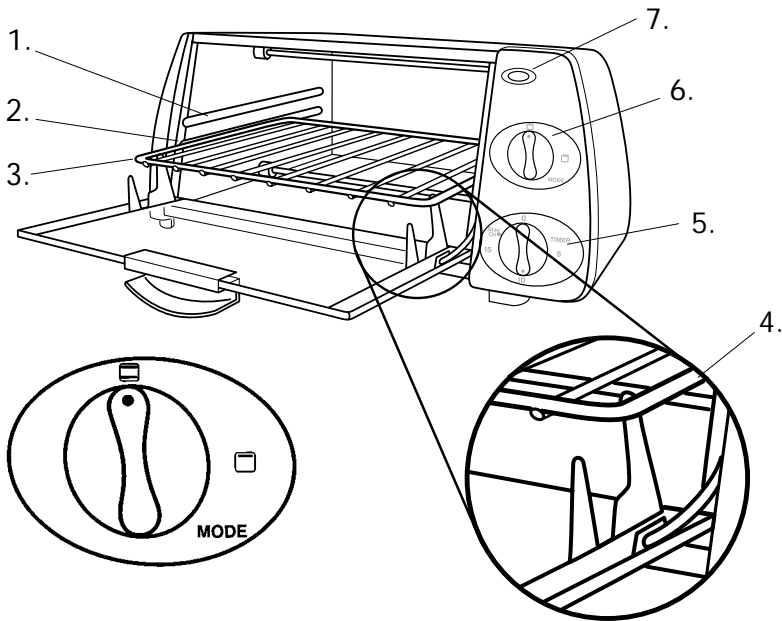
WIRE RACK

The wire rack must be used for all cooking functions. It may be inserted in either the upper or lower shelf position. Use the lower shelf position for bake and the upper position for toast or top brown.

The rack advances when the door is opened in the lower shelf position only. Use oven mitts to pull rack forward in the upper shelf position.

Each section of instructions suggest a shelf specific position, however, the rack may be adjusted to accommodate the different thickness of foods.


Product may vary slightly from illustration.



- | | |
|-------------------------|-----------------------|
| 1. Upper shelf position | 5. Timer control dial |
| 2. Lower shelf position | 6. Cooking mode dial |
| 3. Wire rack | 7. LED Power light |
| 4. Rack guides | |

NOTE: The element(s) will be on as long as the timer is set.

INSTRUCTIONS FOR TOAST

1. Plug into 120 V ~ 60 Hz outlet.
2. Center food on rack and place rack in upper shelf position of oven.
3. Set cooking mode dial to TOAST .
4. Medium colored toast takes approximately 5-7 minutes. Set the TIMER for desired toast color time.
5. The unit shuts off automatically when the time is complete. The power light will go off.


NOTE: Watch toast until desired color is achieved. Shut off manually by turning the timer to the OFF (O) position. The power light will go off.

6. Unplug and allow to cool before cleaning.

HINTS FOR TOAST

- Follow toaster food directions.
- Frozen and heavy bread require a longer time setting (e.g. bagels and English muffins.)

INSTRUCTIONS FOR TOP BROWN


1. Plug into 120 V ~ 60 Hz outlet.
 2. Center food on rack or use a bake pan and place rack in upper shelf position of oven.
 3. Set cooking mode dial to TOP BROWN .
 4. Set the TIMER to the desired time. This will start top browning cycle. The power light will come on.
 5. The unit shuts off automatically when the time is complete. The power light will go off.
- NOTE: Watch food until desired color is achieved. Shut off manually by turning the timer to the OFF (O) position. The power light will go off.
6. Unplug and allow to cool before cleaning.

HINTS FOR TOP BROWN

- For a darker color set the TIMER for additional time to restart the cycle. Watch until desired color is achieved and turn TIMER off manually.
- May be used to top brown bagels, English muffins or melt cheese on sandwiches or casseroles.

INSTRUCTIONS FOR BAKE

Temperature selection is not necessary since most foods cook within package time. Place food in a cold oven and set timer for package or recipe bake time. Watch food closely.

1. Plug into 120 V ~ 60 Hz outlet.
2. Set cooking mode dial to BAKE .
3. Place the rack into the lower shelf position and center the front edge of the rack over the rack guides. No preheat is necessary for most foods.
4. Center a baking container or food directly on rack or use a bake pan and close door. Bake according to package or recipe time.

NOTE: If you do not have a bake pan to fit inside the oven, you may place your food on top of a piece of aluminum foil. Do not cover the wire shelf completely; air flow is necessary for proper operation of your oven.

5. Turn TIMER to desired time or turn to STAY ON. The power light will come on.
6. The unit shuts off automatically when the time is complete. The power light will go off.

NOTE: When food is cooked, shut off oven manually by turning the timer to the OFF (O) position. The power light will go off.

7. Unplug and allow to cool before cleaning.

NOTE: Do not use glass covers on baking pans. If using glass or glass-ceramic baking containers, make sure it is at least 1 1/2 inches away from the top heating element.

HINTS FOR BAKE

- To prevent heat loss, avoid opening door excessively.
- Foil may be used to cover top of baking container to reduce over browning. Tuck ends of foil closely against edge of pan.
- Place food toward the back of the oven for better browning.
- Food may cook faster than recipe or package time. Check for doneness prior to end of cook time.
- Rotate and turn food over (if applicable) for more even browning halfway through the cooking process.

CLEAN-UP OF INTERIOR

1. Always unplug and allow to cool completely before cleaning or moving.
2. Remove rack. Wash with a non-abrasive cleaner, rinse and dry thoroughly or place in the dishwasher.
3. Clean interior with a mild or non-abrasive cleaner and plastic scouring pad after each use to avoid buildup. Do not rub too hard as surface can be scratched.
4. Rinse and dry thoroughly before closing oven door.

CLEAN-UP OF OVEN DOOR AND EXTERIOR

1. Always unplug and allow to cool completely before cleaning or moving.
2. Clean with glass cleaner or mild detergent and damp cloth or plastic scouring pad. Do not use an abrasive cleaner or pad as they might scratch the finish.
3. Rinse and dry thoroughly with a clean cloth. Allow to dry before closing door.

Any servicing requiring disassembly other than the above cleaning must be performed by an authorized service center.

SERVICE INFORMATION

Please refer to warranty statement to determine if in-warranty service applies. This appliance must be serviced by a Toastmaster authorized service center. Unauthorized service will void warranty. Consult your phone directory under "Appliances-Household-Small-Service and Repair," or call 1-800-947-3744 in the U.S. and Canada, 52-5-397-2848 in Mexico.

If an authorized service center is not available locally, your appliance may be returned postage prepaid to our National Service Center at the address shown on the back of this book.

Products must be adequately protected to avoid shipping damage. Surround your appliance with three inches of protective padding and include a copy of your dated sales receipt and a note explaining the problem you have experienced. We recommend insuring your package. No CODs accepted.

LIMITED ONE-YEAR GUARANTEE

Toastmaster Inc. warrants this product, to original purchaser, for one year from purchase date to be free of defects in material and workmanship.

This warranty is the only written or express warranty given by Toastmaster Inc. This warranty gives you specific legal rights. You may have other rights which vary from state to state. ANY OTHER RIGHT WHICH YOU MAY HAVE, INCLUDING ANY IMPLIED WARRANTY OF MERCHANTABILITY OR FITNESS FOR A PARTICULAR PURPOSE IS LIMITED IN DURATION TO THE DURATION OF THIS WARRANTY.

Defective product may be brought or sent (freight prepaid) to an authorized service center listed in the phone book, or to Service Department, Toastmaster Inc., 708 South Missouri St., Macon, MO 63552, for free repair or replacement at our option.

Your remedy does not include: cost of inconvenience, damage due to product failure, transportation damages, misuse, abuse, accident or the like, or commercial use. IN NO EVENT SHALL TOASTMASTER INC. BE LIABLE FOR INCIDENTAL OR CONSEQUENTIAL DAMAGES.

Some states do not allow limitations on how long an implied warranty lasts, or allow the exclusion or limitation of incidental or consequential damages, so the above limitations or exclusions may not apply to you.

For information, write Consumer Claims Manager, at the Macon address. Send name, address, zip, telephone area code and daytime number, model, serial number, and purchase date.

KEEP DATED SALES RECEIPT FOR WARRANTY SERVICE.

Keep this booklet. Record the following for reference:

Date purchased _____

Model number _____

Date code (stamped on bottom) _____

EVERYBODY EATS. It's a fact of life.

**But sometimes preparing
meals can become a chore.**

**That's why TOASTMASTER has been invited
into millions of kitchens just like yours
so we can HELP YOU MASTER your
mixing, baking, grilling, toasting,
brewing, heating and serving
tasks WITH EASE AND STYLE.**

**The TOASTMASTER name stands for a
CELEBRATION of INNOVATION designed
to serve your life and keep you
COOKIN' IN STYLE.**