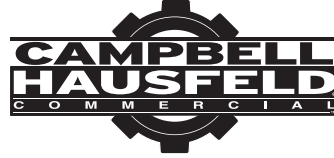
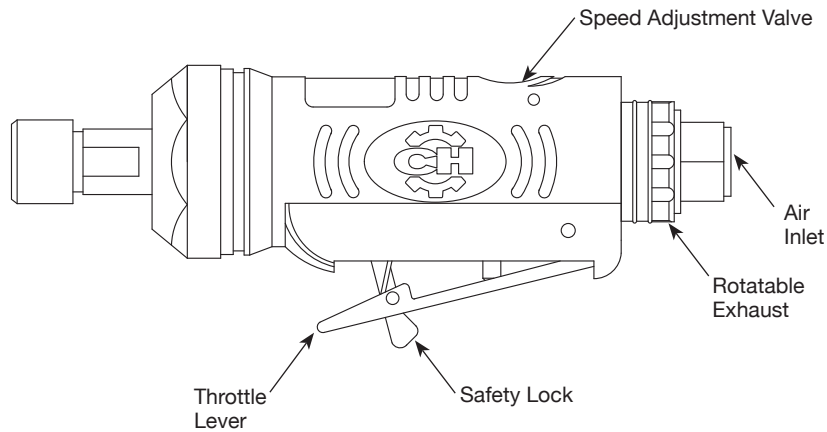


# Die Grinder



MODEL: CL252100AV



## Description

Air powered die grinders are designed for smoothing sharp edges, grinding, polishing, and deburring. Tool may also be used for gasket removal and weld grinding.

## Specifications

Average . . . . .	12.5 @ 90 psi
Air Consumption	(43.5% usage)
Continuous . . . . .	28.8 @ 90 psi
Air Consumption	(100% usage)
Max Operating Pressure . . . . .	90 PSIG
Minimum Hose Size . . . . .	.3/8 inch
Rated RPM . . . . .	22,000
Collet Size . . . . .	1/4 inch & 1/8 inch
Motor HP . . . . .	0.45 HP
Air Inlet . . . . .	1/4 inch NPT (Female)
Exhaust . . . . .	Rear
Weight . . . . .	1.4 lbs

---

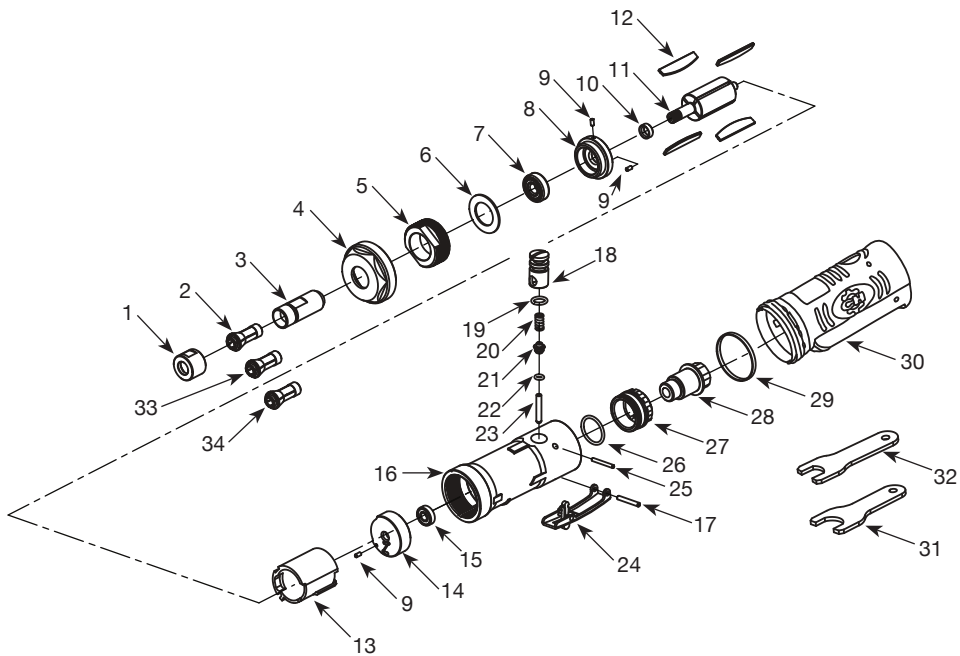
**For Replacement Parts or Technical Assistance,  
Call 1-855-504-5678**

*Please provide following information:*

- Model number
- Serial number (if any)
- Part description and number as shown in parts list

*Address any correspondence to:*

Campbell Hausfeld  
Attn: Customer Service  
100 Production Drive  
Harrison, OH 45030 U.S.A.



---

**REGISTER YOUR PRODUCT ONLINE NOW!**  
<http://reg.ch-commercial.com>

**REPLACEMENT PARTS LIST**

<b>Ref. No.</b>	<b>Description</b>	<b>Part No.</b>	<b>Qty.</b>
1	Collet nut	SV634900AV	1
2	1/4 inch Collet	SV634500AV	1
3	Spindle	--	1
4	Coupling nut	--	1
5	Lock ring	--	1
6	Aluminum spacer	--	1
7	Ball bearing (608ZZ)	SV634700AV	1
8	Front end plate	--	1
9	Spring pin	--	3
10	Bearing spacer	--	1
11	Rotor	●	1
12	Rotor blade	●	4
13	Cylinder	●	1
14	Rear end plate	--	1
15	Ball bearing (696ZZ)	SV634800AV	1
16	Housing	--	1
17	Spring pin	--	1
18	Valve screw	■	1
19	O-ring	■	1
20	Valve spring	■	1
21	Throttle valve	■	1
22	O-ring (P4)	■	1
23	Valve shaft	■	1
24	Safety lever assembly	--	1
25	Spring pin	■	1
26	O-ring (S22.4)	▲	1
27	Exhaust sleeve	--	1
28	Inlet bushing	▲	1
29	"O" rubber band	--	1
30	Grip	--	1
31	(#19) Spanner wrench set	--	1
32	(#14) Spanner wrench set	--	1
33	6 mm Collet	--	1
34	1/8 inch Collet	SV634600AV	1

*Continued on next page*

**REPLACEMENT PARTS KITS**

<b>Ref. No.</b>	<b>Description</b>	<b>Part No.</b>
●	Air motor kit	SV634200AV
■	Trigger valve kit	SV634300AV
▲	Inlet fitting kit	SV634400AV
--	Not available	

---