



DShot I Digital Camera (Model: DS6868)
USER'S MANUAL

Contents	
Overview	2
Getting to Know the DShot I Digital Camera	2
Buttons and Controls	2
Indicators	4
Status Display	5
Getting Started	5
Installing/Replacing Batteries	5
Inserting/Removing Memory Card	6
Basic Operation	6
Turning Power On or Off	6
Operation Modes	6
Taking Photos	7
Recording Movies	7
Deleting Photos or Movies	7
Setting Photo Counter Behavior	7
Setting Video Output System	7
Connecting to TV, Computer or External Power Supply	7
Connecting to TV	7
Connecting to Computer	8
Connecting External Power Supply	8
TV Playback Mode Operation	8
Index	8
Review	8
Slideshow	9
Delete All	9
Language	9
Camera Information	9
Settings	9
Windows PC Software	9
Installing Windows PC Software	10
Using My DShot I Camera on PC	11
Using Windows® Netmeeting®	12
MAC Software	12
Installing My DShot I Camera on MAC	12
Using My DShot I Camera on MAC	12
Technical Notes	13
Customer Assistance	13
Warranty	13
Notice of FCC Compliance	13
Taking Care of Your Camera	14
Specifications	15

DShot I Digital Camera (Model: DS6868)

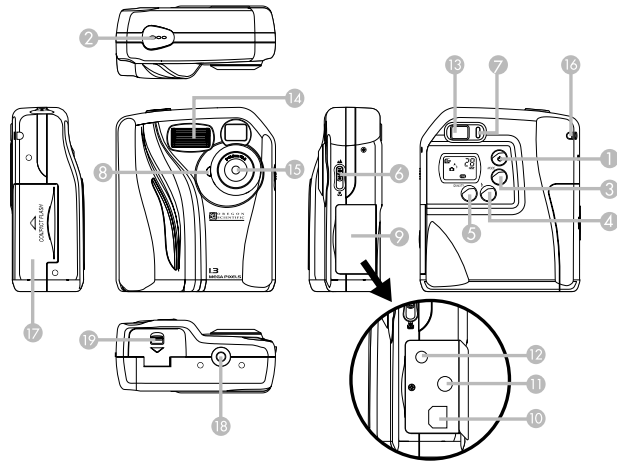
Overview

Thank you for purchasing the DShot I digital camera.

Convenience, quality, flexibility and fun are all what the DShot I digital camera provides. With the true 1.3 Mega-pixel image sensor and features like flashlight, 2x digital zoom, close-up and self-timer, the DShot I digital camera takes quality photos in any condition. In addition to still pictures, the DShot I digital camera can also be used to record short movies or used as web camera to perform video on network/internet. Photos and movies can be uploaded to PC or MAC for storage, sharing or manipulating with the software packages included. If you do not have a computer around or you do not want to upload them, you can also view them on TV.

Please read this instruction manual carefully in order to get the most out of your DShot I digital camera.

Getting to Know the DShot I Digital Camera



Buttons and Controls

- (1) Power button
 - Press to toggle the power the camera on and off.
- (2) Shutter button
 - Press to take photos in still camera mode.
 - Press to start/stop recording of movies in movie camera mode.
 - Press to enter File Deletion mode in Setting mode.
 - Press to confirm selections or start/stop operations in TV Playback mode.
- (3) Mode button
 - Press to switch between different operation modes.

Setting	Description
Normal	Photo will be taken when Shutter button is pressed.
Self-timer	Photo will be taken in 10 sec. after Shutter button has been pressed.
Digital zoom	Zoomed-in photo will be taken when Shutter button is pressed.
Self-timer & Digital zoom	Zoomed-in photo will be taken in 10 sec. after Shutter button has been pressed.
Movie Camera	Movie will be recorded when Shutter button is pressed.
Setting	Delete photos or movies, set color system of video output, confirmation tone on/off or set behavior of photo counter

- Press to navigate (to previous item) through the on-screen-display menu (on TV) in TV Playback mode.

(4) Flashlight button

- Press to cycle through the 3 flashlight modes – auto, on and off.

Setting	Description
Auto	Flashlight turns on when lighting is poor
On	Flashlight turns on regardless of lighting condition
Off	No Flashlight regardless of lighting condition

- Press to toggle between counting up (showing the number of photos taken) and counting down showing the number of additional photos that can be taken) in setup mode.
- Press to navigate (to next item) through the on-screen-display menu (on TV) in TV Playback mode.

(5) Quality button

- Press to cycle through the 3 levels of photo quality – super fine, fine and basic.

Setting	Description	Memory Usage
Super-fine	Resolution of photo is 1280x1024	High
Fine	Resolution of photo is 1280x1024 (with reduced level of details)	Medium
Basic	Resolution of photo is 640x512	Low

Approx. Number of photos vs. Memory Card Capacity and Photo Quality

Photo Quality	Resolution	Memory Size (Mbyte)						
		Built-in	Memory Card					
			2	4	8	16	32	64
Super-fine	1280x1024	5	15	30	60	119	238	477
Fine	1280x1024	7	21	42	84	168	336	672
Basic	640x512	15	46	91	182	364	728	1456
2X Digital zoom	640x512	15	46	91	182	364	728	1456

- Press to select file type (photo or movie) to be deleted in File Deletion mode.
- Press to toggle video output system between NTSC and PAL in Setup mode.
- Press to exit to main menu in TV Playback mode.

- (6) Scene/Close-up mode selector
 • Slide to select Scene or Close-up mode.

Mode	Focus Range
Scene	1m to infinity
Close-up	Approx. 26cm

Indicators

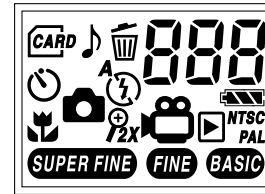
- (7) Status indicator

Color	Status	Description
Green	On	Ready
	Blinking	Busy
Orange	Blinking	Flashlight charging
Red	On	Error

- (8) Self-timer indicator

Color	Status	Description
Red	On	Self-timer started
	Blinking	Less than 5 sec. before photo will be taken

- (9) Connector cover
- (10) USB connector
- (11) Video output connectors
- (12) Power jack
- (13) Viewfinder
- (14) Flashlight
- (15) Lens
- (16) Hand-strap hole
- (17) Memory card slot/slot cover
- (18) Tripod socket
- (19) Battery compartment cover/latch



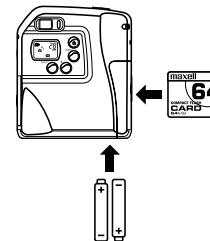
Status Display

- [000] Photo count
- [A] Auto flashlight
- [UP] Counting up
- [] Flashlight on
- [dn] Counting down
- [] Flashlight off
- [PC] PC communication mode
- [] Battery status
- [CARD] Memory card detected
- [SUPER FINE] Photo resolution
- [] Video output system
- [] Still camera mode
- [] File deletion mode
- [] Confirmation tone
- [] Movie camera mode
- [] TV playback mode
- [] Self-timer mode
- [72x] 2X Digital zoom mode

Getting Started

Installing/Replacing Batteries

1. Open the battery compartment cover.
2. Insert batteries (2 x AA-size) according to the indicated polarity.
3. Close the battery compartment cover.



Note: Photos and movies in your DShot I digital camera remain even when there is no battery.

Important: Do not mix old batteries with new batteries. Always dispose of exhausted batteries properly. Do not insert anything except appropriate batteries into the battery compartment as this may cause damage to the camera.

Inserting/Removing Memory Card

1. Turn off the power of your DShot I digital camera.
2. Open the memory card slot cover.
3. Insert memory card as indicated fully.
4. Close the memory card slot cover.

Note: When memory card has been inserted, the built-in memory will not be available.

Important: Removing memory card when the power of your DShot I digital camera is turned on may lead to data loss.

Basic Operation

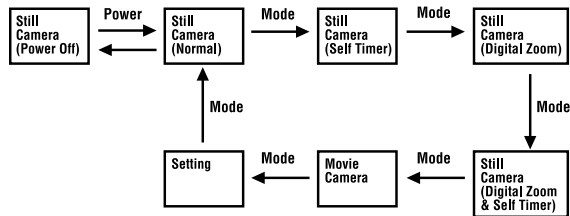
Turning Power On or Off

- When the camera is turned off, press Power button to turn the power of the camera on.
- When the camera is turned on, press Power button to turn the power of the camera off.

Note: In order to minimize power consumption, the camera will automatically turn off after 1 minute (default) of inactivity or processing complete. Please refer to Settings in TV Playback mode for customization of the auto-power-off duration.

Operation Modes

The DShot I digital camera will be in still camera mode when it is turned on. Press Mode button to cycle through the various operation modes:



1. Still Camera mode (Normal)
Photo will be taken when Shutter button is pressed.
2. Still Camera mode (Self-timer)
Photo will be taken in 10 sec. after Shutter button has been pressed.
3. Still Camera mode (Digital Zoom)
Zoomed-in photo will be taken when Shutter button is pressed.
4. Still Camera mode (Self-timer and Digital Zoom)
Zoomed-in photo will be taken in 10 sec. after Shutter button has been pressed.
5. Movie Camera mode
Recording of movie starts when Shutter button is pressed once and stops when Shutter button is pressed again.

6. Setting mode
 - Press Shutter button to delete photos or movies.
 - Press Quality button to set video output system (NTSC or PAL) and confirmation tone (on or off).
 - Press Flashlight button to set behavior of the photo counter (count up or count down).

Taking Photos

1. Select one of the 4 Still Camera modes desired.
2. Select one of the 3 levels of photo quality.
3. Select one of the 3 Flashlight modes according to lighting condition.
4. Select Scene or Close-up mode according to the distance of the object.
5. Press Shutter button to take photo.

Note: When photo counter is set to “Counting down”, the photo count shown is only an estimation of number of additional photos that can be taken. Since the file sizes of photos differ, the counter may not decrease or decrease by 2 occasionally.

Recording Movies

1. Select Movie Camera mode.
2. Press Shutter button to start recording movie, press again to stop.

Note:

- Flashlight is turned off in movie camera mode.
- The maximum duration of movies is approx. 90 seconds.

Deleting Photos or Movies

1. Select Setting mode.
2. Press Shutter button to select File Deletion mode.
3. Press Quality button to select file type (photos or movies) to be deleted.
4. Press Flashlight button to select the identification number of the photo or movie to be deleted.
5. Press Shutter button to delete the selected photo or movie.
6. Press Mode button to exit to Setting mode.

Setting Photo Counter Behavior

1. Select Setting mode.
2. Press Flashlight button to set photo counter behavior:
 - Counting up (showing the number of photos taken)
 - Counting down (showing the number of additional photos that can be taken)

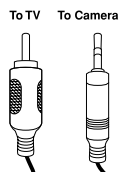
Setting Video Output System

1. Select Setting mode.
2. Press Quality button to set video output system (NTSC or PAL) and confirmation tone (on or off).

Connecting to TV, Computer or External Power Supply

Connecting to TV

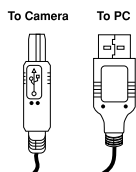
1. Open the connector cover.
2. Plug the camera end of the video cable into the video output connector on your DShot I digital camera.
3. Plug the TV end of the video cable into the video input connector on your TV.
4. Press Quality button to set video output system (NTSC or PAL) to match with the video system of your TV.



Note: Please refer to the instruction manual of your TV for the video system of your TV. Video output of your DShot I digital camera will not be shown correctly if there is mismatch in video system.

Connecting to Computer

1. Open the connector cover.
2. Plug the camera end of the USB cable into the USB connector on your DShot I digital camera.
3. Plug the computer end of the USB cable into the USB connector on your PC/MAC.



Note:

- Please refer to Using My DShot I Camera on PC or Using My DShot I Camera on MAC section of this manual for instructions on how to upload files.
- Please refer to Using Windows® Netmeeting® section of this manual for instructions on how to use your DShot I digital camera as web camera for video conferencing.

Connecting External Power Supply

1. Open the connector cover.
2. Plug the output plug of power supply (not included) to the DC jack of your DSC-3 digital camera.

Important: Use only power supplies designated for the DSC-3 digital camera. Using incompatible power supplies may cause damage to your camera.

TV Playback Mode Operation

Your DShot I digital camera enters TV playback mode automatically when video cable is plugged in. You may view photos, play movies or customize settings of your DShot I digital camera.

Index

Thumbnail view of all photos taken or movies recorded are shown. The first photo or movie will be selected by default.

- Press Flashlight button to select the next photo or movie.
- Press Mode button to select the previous photo or movie.
- Press Shutter button to view the selected photo or play the selected movie in full-screen size
- Press Quality button to exit to main menu.

Review

You may choose to view photos or play movies in full-screen size or view the information of a photo or movie and delete it when desired.

When a photo or movie is being shown in full-screen size, you may:

- Press Flashlight button to view the next photo or play the next movie.
- Press Mode button to view the previous photo or play the previous movie.
- Press Shutter button to view information of the photo or movie.
- Press Quality button to exit to main menu.

When information of a photo or movie is being shown, you may choose to delete it by:

1. Select Delete.
2. Press Shutter button to confirm the deletion.

Slideshow

Photos or movies will be shown or played automatically in a certain time interval (5 sec. by default).

- Press Flashlight button to view the next photo or play the next movie.
- Press Mode button to view the previous photo or play the previous movie.
- Press Shutter button to stop the slideshow.
- Press Quality button to exit to main menu.

Delete All

You may choose to delete all photos and movies by:

1. Select Delete all
2. Press Shutter button to confirm the deletion

Language

You may choose one of the 6 languages (English, French, German, Spanish, Italian and Portuguese) for menu.

- Press Flashlight button to view the next language.
- Press Mode button to view the previous language.
- Press Shutter to confirm the selection of language.
- Press Quality button to exit to main menu.

Camera Information

Memory and firmware information of your DShot I digital camera will be shown.

- Press Quality button to exit to main menu.

Settings

The following items may be customized according to your preference:

- Slideshow mode – *Once / Repeat*
- Slideshow duration (seconds) – *3 / 5 / 10 / 15*
- Beep tone – *On / Off*
- Picture counter – *Count up / Count down*
- Restore default settings
- Save

1. Press Flashlight or Mode button to select an item.
2. Press Shutter button to set the selected item.
3. Press Flashlight or Mode button to change the setting.
4. Press Shutter button to confirm the setting.

Windows PC Software

A collection of Windows PC Software is included to let you enjoy the most with your DShot I digital camera. Details of operation are available in the on-line help in each of the software.

- **My DShot I Digital Camera**
With My DShot I Camera, you can view the information (name, size and type) and upload them to PC. You can also manipulate the files in your DShot I digital camera like you do in other file folders.

Note: Photos and movies in your DShot I digital camera have to be uploaded to PC before they can be opened by other Windows PC software.

- **DShot I TWAIN Device Driver**
The DShot I digital camera is a TWAIN compliant input device. Convenience is provided by allowing you to take new or upload photos from within image editing software, for example, Imaging (included with Windows) or Photo Base that support twain input devices.

- **Photo Base**
With Photo Base you can create photo albums, slide shows, video postcards, greeting cards, or send your photos by email to friends and relatives.

Note: A collection of photos is available in the Photos album in the album list. They were not taken with DShot I digital camera and were included by ArcSoft® for demonstration purposes.

- **Photo Studio**
After photos have been arranged in a photo album, with Photo Studio you can change the way they look. Use Photo Studio to edit and retouch photos, change colors, cut and paste, and add special effects.

- **Photo Fantasy**
Photo Fantasy is a collection of photos, including football and basketball players, ballerina and astronaut, to which you can add your face or any other face from a downloaded photo.

Note: The Windows PC software CD must be in the CD-ROM Drive to use this software.

- **Photo Montage**
Turn your photo into a montage collage with Photo Montage.

Note: The Windows PC software CD must be in the CD-ROM Drive to use this software.

- **Photo Printer**
With a compatible color printer connected to your PC, you can print out your photos using Photo Printer.

- **QuickTime™ Player**
Play the movies recorded with your DShot I digital camera.

- **Windows® NetMeeting®**
With Windows® Netmeeting®, your DShot I digital camera can be used as a Web camera for communicating live with your friends, or video conferencing.

Installing Windows PC Software

1. Make sure that no programs, such as games or anti-virus software, are running on the PC. If programs are open, close and exit from the programs before proceeding.
2. Insert the CD-ROM into the CD-ROM drive of your PC.
3. After a short period, a setup menu appears.
4. From the setup menu, choose the software you would like to install.
5. Follow the on-screen instructions to install the software.

If a setup menu does not automatically appear after inserting the CD-ROM into the CD-ROM drive:

1. Click Start button on your Windows desktop and choose Run on Start menu.
2. Type "<CD-ROM drive letter>:\Setup"
3. Click [OK] button or press Enter key on your keyboard. The setup menu appears.

After installation, icons or folders of the installed software will be created on the Start-Programs menu.

For Windows 2000 Users:

- Click [Yes] button when "Digital Signature Not Found" message appears.
- The Windows 2000 Professional CD may be required during installation. In this case, switch CDs as directed by on-screen instructions.

Note:

- The DShot I digital camera does not need to be connected to the PC during the software installation process.
- At the end of software installation, click "Yes, I want to restart my computer now" only if the message box "InstallShield Wizard Complete" is shown. Otherwise, click "No, I will restart my computer later."

Using My DShot I Camera on PC

Before using My DShot I Camera, make sure that your DShot I digital camera has been connected to your PC.

Viewing Files

1. Open My Computer folder and double-click My DShot I Camera.
2. Names, sizes and types of the files (photos or movies) in your DShot I digital camera will be shown.

Selecting Files

A single or multiple files can be selected for manipulation.

- To select a single file, click on the photo you want.
- To select multiple files, hold Ctrl key on your keyboard, and then click each file you want.
- To select a group of adjacent photos, click in a blank area of the window, and then drag around the files you want to select.
- To select all the files, choose Select All on the Edit menu.

Copying and Pasting Files

Files can be copied from My DShot I Camera window and pasted to other file folders or vice versa.

1. Select files to be copied and pasted.
2. To copy selected files, choose Copy on the Edit menu or choose Copy on the right-click menu when the mouse pointer is on the selected photos.
3. To paste the copied files, choose Paste on the Edit menu or choose Paste on the right-click menu when the mouse pointer is on the destination file folder.

Dragging and Dropping Files

Files can be dragged from My DShot I Camera window and dropped to other file folders or vice versa.

1. Select files to be dragged and dropped.
2. Make sure the destination file folder is visible.
3. Press the left mouse button when the mouse pointer is on the selected files and hold it down while the files are dragged to the destination file folder.
4. Release the left mouse button to drop the files.

Note:

- Filenames longer than 8 characters or duplicated filenames will be renamed automatically.
- Pasting or dropping will be cancelled if there is conflict in automatic renaming or when there is insufficient memory.

Deleting Files

Files in your DShot I digital camera can be deleted in order to free up memory.

1. Select files to be deleted.
2. Press the Delete key on your keyboard or choose Delete on the right-click menu when the mouse pointer is on the selected files.

Note: Backup the files you want to keep. Files deleted cannot be recovered from the Recycle Bin.

Using DShot I Digital Camera as a TWAIN Input Device

Before using your DShot I digital camera as a TWAIN device, make sure that your DShot I digital camera has been connected to your PC.

If you are using Imaging (included with Windows):

1. Choose Select Source on File menu.
2. Select "Oregon Scientific DShot I".
3. Choose Acquire Image or Scan New on File menu.
4. A control interface appears.
 - To upload and open a photo, click [Open Selection] button.
 - To upload and save a photo, click [Save Selection] button.
 - To erase a photo, click [Erase Selection] button.
 - To erase all photos, click [Erase All] button.
 - To take a new photo, click [Take Picture] button.
 - To view camera status, click [Camera Status] button.
 - To exit, click [Close] button.

Note: The names and locations of the menus may be different between image editing software.

Using Windows® Netmeeting®

1. Connect the camera to your PC.
2. Run the Windows® Netmeeting®.
3. Choose Options on the Tools menu.
4. Choose the Video tap.
5. Select "DShot I Digital Camera" as the video capture device and click OK.

Note: An Internet account is required for connection to the Internet.

MAC Software

Photos and movies in your DShot I digital camera have to be uploaded to MAC before they can be opened by other MAC software. With My DShot I Camera, you can view the information (name, size and type) and upload them to MAC. You can also manipulate the files in your DShot I digital camera like you do in other file folders.

Installing My DShot I Camera on MAC

1. Double click My DShot I Camera
2. Follow the on-screen instruction to install the software
When installation is completed, a My DShot I Camera icon will be created on the desktop of your MAC.

Using My DShot I Camera on MAC

Before using My DShot I Camera, make sure that your DShot I digital camera has been connected to your MAC.

Viewing Files

1. Double-click My DShot I Camera icon on the desktop of your MAC.
2. Names, sizes and types of the files (photos or movies) in your DShot I digital camera will be shown.

Selecting Files

A single or multiple files can be selected for manipulation.

- To select a single file, click on the file you want.
- To select multiple files, hold Shift key on your keyboard, and then click each file you want.

- To select a group of adjacent files, click in a blank area of the window, and then drag around the files you want to select.
- To select all the files, choose Select All on the File menu.

Opening Files

1. Select the filed (photos or movies) to be opened
2. Choose Open on the File menu, a Save As dialog box pops up.
3. Select the location and name for the file to be saved, an Open With dialog box pops up.
4. Select the application to open the file with.

Dragging and Dropping Files

Files can be dragged from My DShot I Camera window and dropped to other file folders or vice versa.

1. Select files to be dragged and dropped.
2. Make sure the destination file folder is visible.
3. Press the left mouse button when the mouse pointer is on the selected files and hold it down while the files are dragged to the destination file folder.
4. Release the left mouse button to drop the files.

Note:

- Filenames longer than 8 characters or duplicated filenames will be renamed automatically.
- Pasting or dropping will be cancelled if there is conflict in automatic renaming or when there is insufficient memory.

Deleting Files

Files in your DShot I digital camera can be deleted in order to free up memory.

1. To delete selected files, select the files to be deleted and then choose Delete on the File menu.
2. To delete all files, choose Delete All on the File menu.
3. Press the Delete key on your keyboard or choose Delete on the right-click menu when the mouse pointer is on the selected photos.

Note: Backup the files you want to keep. Files deleted cannot be recovered from the Trash.

Technical Notes

Customer Assistance

Should you have questions or require additional information, please contact our Customer Service Department at 800-853-8883 or via email at helpme@oscientific.com

Warranty

Oregon Scientific warrants this product to be free of manufacturing defects for 90 days from retail purchase. Defective products are to be returned to the place of retail purchase. This warranty does not cover products subjected to tampering, abuse, misuse or accidental damage.

Notice of FCC Compliance

Tested To Comply With FCC Standards FOR HOME OR OFFICE USE

This device complies with Part 15 of the FCC Rules. Operation is subject to the following two conditions:

- 1) This device may not cause harmful interference, and 2) This device must accept any interference received, including interference that may cause undesired operation.

Warning:

Changes or modifications to this product not expressly approved by the party responsible for compliance could void user's authority to use this product.

Note:

This product has been tested and found to comply with the limits for a Class B digital device, pursuant to Part 15 of the FCC Rules. These limits are designed to provide reasonable protection against harmful interference in a residential installation. This product generates, uses and radiate radio frequency energy and, if not installed and used in accordance with the instructions, may cause harmful interference to radio communications. However, there is no guarantee that interference will not occur in particular installation. If this product does cause harmful interference to radio or television reception, which can be determined by turning the product off and on, the user is encouraged to correct the interference by one or more of the following measures:

- Increase the separation between the product and the affected equipment.
- Consult the dealer or an experienced radio/television technician for assistance.

Note:

During file transfer or in the Web Camera mode, if the camera or computer is suddenly froze or no response, it may be due to the electrostatic phenomenon, please follow the procedures below to recover the operation:

- Unplug the USB cable from the camera
- Close the software application in the computer (or re-boot the computer if necessary)
- Re-connect the USB cable to the camera.

Important: Shielded cables must be used with this product to ensure compliance with the Class B FCC limits.

Taking Care of Your Camera

With careful treatment you will have many years of fun with your DShot I digital camera:

1. Do not immerse the camera in water. Water will damage the electronic components.
2. Do not bang or drop the camera as this may damage the electronic components.
3. Do not clean the camera with household cleaners or chemicals.
4. To clean the camera casing, carefully wipe the casing with a clean soft cloth that has been slightly dampened with water.
5. To clean the lens, gently blow on the lens to remove dust and dirt, then wipe the lens with a camera lens cleaning tissue.
6. Turn the camera off when not in use.
7. When battery power is exhausted, replace the old batteries with new batteries. Do not mix old batteries with new batteries.
8. Only insert the batteries in the polarity direction as shown in block 1, above.
9. Do not put anything into the battery compartment except batteries.
10. Batteries contain dangerous chemicals and if mistreated or improperly disposed of can cause harm, injury or damage.
11. Do not open the camera casing or tamper with the camera's electronic components; doing so will void the camera's warranty.

Specifications

Image Sensor:	1.3Mega-pixel CMOS
Photo Resolution:	1280 x 1024 (Super-fine or Fine quality) 640 x 512 (Basic quality)
Focus range:	1m to infinity (Scene mode) Approx. 26cm (Close-up mode)
Internal Memory:	2M-byte (non-volatile Flash memory)
External Memory:	Compact Flash Type I (not included)
Flashlight range:	2 meter
Self Timer:	10 seconds
Movie Camera Mode:	10 frame per second at 160 x 120 resolution
Web Camera Mode:	15 frame per second at 160 x 120 resolution
Computer Interface:	USB
Video Output System:	NTSC or PAL
Power:	2 x AA-size 1.5V alkaline batteries, or 5V 200mA power supply (not included)
Battery Life:	Approx. 100 shots (without flashlight)
Automatic Off:	60 seconds (default)
Temperature:	32°F – 104°F (0°C – 40°C)
Storage:	-4°F – 140°F (-20°C – 60°C)
Weight:	190g (including batteries)
Dimensions:	85mm (w) x 98mm (h) x 39mm (t)
Accessories:	Software CD-ROM (for PC and MAC) 2 x AA-size 1.5V alkaline batteries Hand strap Instruction manual Quick start guide USB cable Video cable

Note: All company and/or product names are trademarks and/or registered trademarks of their respective holders.

* **The product might not function properly in case of electrostatic discharge. In that case, resetting is required to bring it back to normal.**