



WHITE-RODGERS

Media Air Cleaner

Épurateur d'air Média

- MCS600W
- MCS600B
- MCD1200W
- MCD1200B



Electronic Air Cleaner

Épurateur d'air Électronique

- ECS750W
- ECS750B
- ECD1500W
- ECD1500B



OWNER'S MANUAL MANUEL OPÉRATEUR



2SD1
Electrostatic
Air Cleaner

2SD2
Electric
Fan



White-Rodgers is a division of Emerson Electric Co.
www.white-roddgers.com



English (USA/Canada): page 2

Français (Canada): page 13

	Nomenclature Description				
Model Number	Type	Cabinet	Air Flow	Color	
MCS600W	MC = Media Cleaner	S = Single Cabinet	600 = Maximum Air Flow (CFM)	W = White	
MCS600B				B = Bronze	
MCD1200W		D = Double Cabinet		1200 = Maximum Air Flow (CFM)	W = White
MCD1200B					B = Bronze
ECS750W	EC = Electronic Cleaner	S = Single Cabinet	750 = Maximum Air Flow (CFM)		W = White
ECS750B					B = Bronze
ECD1500W		D = Double Cabinet		1500 = Maximum Air Flow (CFM)	W = White
ECD1500B					B = Bronze



IMPORTANT SAFETY INSTRUCTIONS	2
OPERATING INSTRUCTIONS	3
1 INTRODUCTION	3
2 PRODUCT DESCRIPTION	3
2.1 Filter package	3
2.2 Optional feature	3
3 MOUNTING/INSTALLATION	3
3.1 Technical specifications	3
3.2 Air cleaner mounting/installation	3
4 MAINTENANCE	3
4.1 Filter replacement/cleaning frequency	3
4.2 Cleaning the outside of the air cleaner	3
5 CONTROL	4
5.1 Controlling with the panel button	4
5.2 Remote Control operation	4
5.3 Automatic operation (auto mode)	4
6 PROGRAM SETTINGS	4
6.1 Program Setting 1: Service Indicator	4
6.2 Program Setting 2: Resetting the Service Indicator	4
7 TROUBLESHOOTING	5
TECHNICAL REPAIR GUIDE	6
8 ADJUSTING TO SPECIFIC ROOM CONDITIONS	6
9 FILTER REPLACEMENT/CLEANING	7
9.1 Prefilter replacement	7
9.2 Electronic filter cleaning	7
9.3 Media filter replacement	8
9.4 Activated carbon or Odor Free filter replacement	8
10 BASIC SERVICE GUIDE	9
PARTS LIST	10



Read and save these instructions


ATTENTION

Please read instructions before installing and using the air cleaner. This will help you obtain the full benefit from the air cleaner you have selected.


- A Read the Owner's Manual and Important Safety Instructions carefully. Failure to follow these instructions could cause a malfunction of the filter or unsatisfactory service.
- B Follow a regular service and maintenance schedule for efficient operation.

To reduce the risk of electric shock, fire and injury to persons:

- Do not use the air cleaner in wet or damp locations.
- The air cleaner is not for use in cooking areas.
- Do not use the air cleaner with any solid state speed control device.
- Do not use the air cleaner outdoors.
- Do not use the air cleaner at ambient temperatures above 95°F/35°C.

	WARNING
	ELECTROCUTION HAZARD. Disconnect mains before servicing. Failure to do so could result in serious personal injury or death.

WARNING
Do not attempt installation of this unit unless you are familiar with the necessary tools, equipment, utility connections and potential hazards. Installation should be performed only by a qualified service provider. Failure to do so could result in reduced performance of the unit, serious personal injury or death.

	CAUTION
	CELLS MAY CONTAIN SHARP EDGES. Use care when servicing unit or handling cells. Failure to do so could result in minor personal injury.

WARNING
Installation of this unit must comply with local electric codes or other applicable codes. Review and understand local codes prior to installation. Do not use this apparatus in a flammable or explosive atmosphere. Failure to do so could result in serious personal injury or death.

Mounting/installation

Please follow the installation instructions carefully.

Disconnect power prior to installing the air cleaner.

To reduce the risk of electric shock this equipment has a grounding type plug that has a third (grounding) pin. This plug will only fit into a grounding type power outlet. If the plug does not fit into the outlet contact qualified personnel to install the proper outlet. Do not alter the plug in any way.

Use common sense, stay vigilant and pay attention to your actions during installation. Do not install the air cleaner when tired or affected by drugs, alcohol, medicines or otherwise impaired.

Use only screws delivered in the installation kit. Using other screws may damage the air cleaner and can cause a risk of shock, fire or injury to persons.

Do not use excessive strength to fasten the screws of the mounting assembly accessories. It will damage the air cleaner or mounts causing the air cleaner to fall.

Do not remove a wall mounted air cleaner once it is installed. Take special care when cleaning a wall mounted air cleaner. Only use the special mounting kit for recessed ceiling mounted air cleaners.

Do not use the frame of the recessed ceiling to carry the weight of the air cleaner.

Fire hazard

Never use the air cleaner in areas with flammable gasses.

Never use the air cleaner to extract and/or filter flammable, smoldering or burning material.

Never use the air cleaner to extract and/or filter toxic fumes or abrasive particles.

Do not place any objects on top of the air cleaner.
Do not use with a damaged cord or plug.

Do not pull the cord to remove the plug from the mains. Protect the cord against heat, oil and sharp objects. Do not run any appliance over the cord. To unplug, grasp the plug, not the cord. Do not pull or carry by cord, use cord as a handle, close a door on cord, or pull cord around sharp edges or corners.
Do not move the air cleaner without having it unplugged first.



1 INTRODUCTION

This manual provides instructions for the mounting/installation, control and maintenance of the air cleaner. The safety instructions should be read first.

2 PRODUCT DESCRIPTION

The air cleaner is provided with an Air Quality Analyzer. It measures the local pollution continuously and adjusts the fan speed accordingly. The analyzer is sensitive to pollution in gaseous form that occurs in, for example, tobacco smoke.

2.1 Filter package

See fig. 1 on page 25

The polluted air is cleaned in three successive stages.

2.1.1 Prefilter [A]

The prefilter traps the coarser dust particles and other pollutants.

2.1.2 Electronic filter [B]

The electronic filter has a very high efficiency and traps dirt particles larger than 0.01 micron;

or (in case of a media filter):

2.1.3 Media filter [B]

The media filter is folded in such a way that it has a large effective surface area. This gives a low air resistance and a high dirt collection capacity.

2.1.4 Activated carbon filter [C]

The activated carbon filter adsorbs unpleasant smells.

2.2 Optional feature

2.2.1 Odor Free

If the air cleaner is provided with an Odor Free filter obnoxious odors can be suppressed. The standard activated carbon filter is replaced by the Odor Free filter.

3 MOUNTING/INSTALLATION

3.1 Technical specifications

	Single	Double
Dimensions	24.8x24.4x11.4 in.	24.8x41.3x11.4 in.
Max. built-in height	8.3 in.	8.3 in.
Weight	max. 39.9 lbs.	max. 65.5 lbs.
Power consumption:		
- electronic	130 W	225 W
- media	118 W	222 W
Voltage	115V, 60Hz	115V, 60Hz

3.2 Air cleaner mounting/installation

The air cleaner can be installed in several ways using different installation kits.

- For wall mounting use installation kit # F801 0193. This kit is only suitable for single air cleaners.

- For ceiling mounting of the air cleaners, use installation kit # F801 0195. For a single air cleaner one set is required, for the double air cleaner two sets are required.
- For recessed ceiling mounting of the single air cleaner use installation kit # F801 0196. For the double air cleaner, use installation kit # F801 0197.

There are no components for mounting to the ceiling or wall in these kits.

Ensure that the load capacity of the mounting devices is sufficient to safely support the air cleaner. The weights of the air cleaner are maximum 39.9 lbs. and 65.5 lbs. respectively.

For the single air cleaner on a pedestal, use pedestal installation kit # F848 0384.

Use the materials prescribed during the installation. Connect the air cleaner to power only after complete installation.

4 MAINTENANCE

Maintain your air cleaner carefully and regularly. If poorly maintained, it can be a fire hazard. Always disconnect the air cleaner from power during maintenance and cleaning.

Adhere to the maintenance instructions and advice on filter replacement.

Replace or clean the filters on time.

Only use manufacturer's original replacement parts.

Inspect the product for damages regularly. The safety features should be checked regularly for proper functioning and, if required, be repaired immediately.

The cord should be checked regularly and, if damaged, replaced by a qualified service person.

4.1 Filter replacement/cleaning frequency

Filter replacement/cleaning frequency depends on local conditions, the fan speed selected and the operating time of the air cleaner. The Service Indicator can be used to help determine the filter replacement/cleaning frequency. See Program Settings step 1.

A crackling or snapping sound will be heard occasionally during use of the air cleaner. This is normal and is caused by high voltage arcing in the filter. Cleaning the electronic filter is necessary when the crackling or snapping is heard frequently.

Filter replacement/cleaning may be done as described in the technical repair section.

4.2 Cleaning the outside of the air cleaner

Wipe the outside of the air cleaner with a moist cloth. Do not use cleaning products that contain ammonia or abrasives. The air cleaner is not resistant to organic solvents, such as benzene, etc. It is possible that the Air Quality Analyzer temporarily reacts abnormally with exposure to cleaning agents.



5 CONTROL

See fig. 5 on page 25

Do not close all vents simultaneously as this may result in the motor/fan overheating.

The product is designed solely for cleaning air indoors and must not be used for any other purpose.

The user is liable for damages resulting from improper use. Do not use the air cleaner when parts or safety devices are faulty, absent or damaged.

The air cleaner can be controlled in three different ways:

- A Using the panel button (>>) button), for selecting fan speed or AUTO mode
- B Using the remote control
- C Using the Auto Clean mode (AUTO mode)

5.1 Controlling with the panel button

See fig. 2 on page 25

The panel button (>>) button) allows you to control the fan speed as follows:

With the air cleaner OFF:

- Press the panel button (>>); control goes to AUTO.
- Press the panel button (>>); fan speed goes to ●●● (TURBO).
- Press the panel button (>>); fan speed goes to ●● (HIGH).
- Press the panel button (>>); fan speed goes to ● (MEDIUM).
- Press the panel button (>>); fan speed goes to ● (LOW).
- Press the panel button (>>); fan speed goes to STANDBY.
- Press the panel button (>>); fan speed switches OFF.

If you keep pressing on the panel button (>>), the control will go one step every second.

5.2 Remote Control operation

See fig. 3 on page 25

Remote Control Fan Speed Indicators:

- LOW
- MEDIUM
- HIGH
- TURBO

Note: When the motor is turned ON, from STANDBY, the air cleaner will start automatically on TURBO for 1.5 seconds. Subsequently it will switch to the last fan speed selected.

- OFF: switches off air cleaner.
- ▲ and ▼ : fan speed goes one level higher (▲) or lower (▼).
- AUTO: switches the air cleaner to automatic operation.

5.3 Automatic operation (AUTO mode)

See fig. 4 on page 25

Press AUTO on the remote control.

There is a 5 minute warm up time for the Air Quality Analyzer. It is recommended the air cleaner be plugged in continuously to avoid the warm-up delay. If you activate AUTO during this time, the led on the control panel will flash. After 5 minutes you will hear a beep and the air cleaner will operate automatically.

6 PROGRAM SETTINGS

The air cleaner is shipped with factory default program settings. The following program settings allow you to customize the air cleaner operation for your personal preference.

- Program Setting 1: Service Indicator
- Program Setting 2: Resetting the Service Indicator

PROGRAM: press this button once to get in the program mode. While in the program mode if no key is pressed for 60 seconds the air cleaner will return to the last setting without saving any changes.

6.1 Program Setting 1: Service Indicator

The Service Indicator is used to predict when the filter will need cleaning (electronic air cleaners) or replacement (media air cleaners).

The Service Indicator automatically calculates the service interval based on the pollution level selected and the fan speed. When the filter becomes clogged the leds ● and ●●● will flash each time the air cleaner is turned on.

Pollution level guidelines for establishing setting:

- LOW DUTY: general pollution without tobacco smoke
- MEDIUM DUTY: moderate tobacco smoke concentrations
- HEAVY DUTY: high tobacco smoke concentrations
- EXTREME DUTY: extremely high tobacco smoke concentrations

To select the pollution level:

- Press PROGRAM; you are in the program mode 1 and STANDBY led will flash once every two seconds.
- Default: OFF (all leds off).
- Press ▲: led ● (LOW) will light up, meaning you've set the pollution level to LOW DUTY.
- Press ▲: led ●● (MEDIUM) will light up, meaning you have set the pollution level to MEDIUM DUTY.
- Press ▲: led ●●● (HIGH) will light up, meaning you have set the pollution level to HEAVY DUTY.
- Press ▲: led ●●●● (TURBO) will light up, meaning you have set the pollution level to EXTREME DUTY.
- If you want to go back to one of the previous pollution levels, press ▼.
- Press PROGRAM to confirm setting 1 and to go to setting 2.

6.2 Program Setting 2: Resetting the Service Indicator

The indicator needs to be reset when the media filter is changed out. If led ● and led ●●● are flashing, it is time to change the filter(s) and to reset the indicator.

To Reset:

- Press PROGRAM: you are in the program mode 2 and the STANDBY led will flash twice every two seconds.
- Default: OFF (all leds are off).
- If the indicator is programmed (setting 1), you will see all the leds switched on in setting 2, provided the Service Indicator is in use for a while.
- Reset Service Indicator: press OFF (all leds are off).
- Press PROGRAM: all user settings are saved and the air cleaner is back in normal control.



7 TROUBLESHOOTING

If leds • and •••• are flashing:

This is the Service Indicator. It signifies time to service (replace or clean) the filter(s).

Pressing any button will turn off the Service Indicator leds.

When the unit is switched on again the Service Indicator will resume flashing. After changing the filter(s), the Service Indicator should be reset in Program Setting 2. Contact your service person.

If led AUTO is flashing:

Air Quality Analyzer is warming up. After 5 minutes the Air Quality Analyzer is ready and air cleaner will start running in AUTO mode.

If led STANDBY is flashing:

High Voltage Output problem in the collecting cell(s).

If there is a dead short in the cell for over 60 seconds the **STANDBY** led flashes. Power will be interrupted to the cell(s) for 10 minutes which may allow the cause of the problem (e.g. hair) to flow out of the collecting cell. After 10 minutes the high voltage will return to the cell. If there is still a short in the cell the high voltage will again be interrupted for 10 minutes, etc. This loop stops at the fourth time a dead short condition is detected. Upon detection, the software blocks the fan control and the unit quits operating. The collecting cell should be cleaned to see if it can be returned to service or requires further repair. Contact your service person.

Note: After one crackle or snap (arcing) the high voltage will drop to 7000 Volts and slowly build up to the programmed output. If there are more than 20 crackles or snaps during one minute, the software blocks the high voltage for 45 seconds, after which the voltage slowly rebuilds.



WARNING: RISK OF ELECTRIC SHOCK

These servicing instructions are for use by qualified personnel only. To reduce the risk of electric shock, do not perform any servicing other than that contained in the operating instructions unless you are qualified to do so.

This guide contains service checks to assist service personnel in locating and correcting any condition that might occur to render the air cleaner ineffective or inoperative. The air cleaner has been designed with replaceable components, such as the high voltage power supply which allows the service person to simply replace a component rather than attempt repair of components in the field.

8 ADJUSTING TO SPECIFIC ROOM CONDITIONS

Program Setting 1: Service Indicator

The Service Indicator is used to predict when the filter will need cleaning (electronic air cleaners) or replacement (media air cleaners).

The Service Indicator automatically calculates the service interval based on the pollution level selected and the fan speed. If the filter becomes clogged the led • and •••• will flash each time the air cleaner is turned on.

Pollution level guidelines for establishing setting:

- LOW DUTY: general pollution without tobacco smoke
- MEDIUM DUTY: moderate tobacco smoke concentrations
- HEAVY DUTY: high tobacco smoke concentrations
- EXTREME DUTY: extremely high tobacco smoke concentrations

To select the pollution level:

- Press PROGRAM; you are in the program mode 1 and STANDBY led will flash once every two seconds.
- Default: OFF (all leds off).
- Press ▲: led • (LOW) will light up, meaning you've set the pollution level to LOW DUTY.
- Press ▲: led •• (MEDIUM) will light up, meaning you have set the pollution level to MEDIUM DUTY.
- Press ▲: led ••• (HIGH) will light up, meaning you have set the pollution level to HEAVY DUTY.
- Press ▲: led •••• (TURBO) will light up, meaning you have set the pollution level to EXTREME DUTY.
- If you want to go back to one of the previous pollution levels, press ▼.
- Press PROGRAM to confirm setting 1 and to go to setting 2.

Program Setting 2: Resetting the Service Indicator

The indicator needs to be reset when the media filter is changed out. If led • and led •••• are flashing, it is time to change the filter(s) and to reset the indicator.

To Reset:

- Press PROGRAM: you are in the program mode 2 and the STANDBY led will flash twice every two seconds.
- Default: OFF (all leds are off).
- If the indicator is programmed (setting 1), you will see all the leds switched on in setting 2, provided the Service Indicator is in use for a while.
- Reset Service Indicator: press OFF (all leds are off).
- Press PROGRAM: all user settings are saved and the air cleaner is back in normal control.

Program Setting 3: Maximum fan speed for Air Quality Analyzer (AUTO mode)

It is not possible to go directly to setting 3.

If the panel button (>>) and then the PROGRAM key are pressed simultaneously before confirming setting 2, you're in setting 3 and STANDBY led will flash three times every two seconds. Adjusting the maximum fan speed for the Air Quality Analyzer is very convenient for meeting rooms and open plan offices.

- Default: •••• (TURBO).
- Press ▼ and so on to go to the desired maximum fan speed.
- Press PROGRAM: confirm setting 3 and go to setting 4.

Program Setting 4: Manual lock

In setting 4 STANDBY led will flash four times every two seconds. Blocking the panel button (>>), to ensure that non-authorized people cannot control the air cleaner.

- Default: unlock; no leds are burning.
- Press ▼ or ▲: lock; led • (LOW) is burning.
- Press ▼ or ▲: unlock; led • (LOW) is off.
- Press PROGRAM: confirm setting 4 and go to setting 5.

Program Setting 5: Voltage output for maximum efficiency (Electronic Air Cleaners only)

In setting 5 STANDBY led will flash five times every two seconds. This setting can be used to lower the efficiency (up to 10% at low HV). This will increase the time between cleaning intervals.

- Default: high HV level (7600 V); leds •, •• and ••• are burning.



- Press ▼: medium HV level (7300 V); leds • and •• are burning.
- Press ▼: low HV level (7100 V); led • is burning.
- Press ▲: to increase efficiency again up to maximum HV level (7900 V); leds •, ••, ••• and •••• are burning.
- Press PROGRAM: confirm setting 5 and go to setting 6.

Program Setting 6: Maximum fan speed remote control/panel button

In setting 6 STANDBY led will flash six times every two seconds. Adjusting the maximum fan speed for remote control/panel button is very convenient for air cleaners installed in meeting rooms and open plan offices.

- Default: •••• (TURBO).
- Press ▼ and so on to go to the desired maximum fan speed.
- Press PROGRAM: confirm setting 6 and go to setting 7.

Program Setting 7: Sensitivity adjustment Air Quality Analyzer

In setting 7 STANDBY led will flash seven times every two seconds.

Setting the sensitivity of the Air Quality Analyzer. The more sensitive, the quicker the reaction to changes in pollution level.

- Default: OFF (all leds are off), meaning the lowest sensitivity
- Press ▲: led • (LOW) will light up, meaning you've set the pollution sensitivity to low.
- press ▲: led •• (MEDIUM) will light up, meaning you have set the pollution sensitivity to medium.
- Press ▲: led ••• (HIGH) will light up, meaning you have set the pollution sensitivity to heavy.
- Press ▲: led •••• (TURBO) will light up, meaning you have set the pollution sensitivity to extreme.
- If you want to go back to one of the previous pollution sensitivity, press ▼.
- Press PROGRAM to confirm setting 7 and go to setting 8.

Program Setting 8: Time without high voltage after Service (Electronic Air Cleaners only)

In setting 8 STANDBY led will flash eight times every two seconds.

Setting a specific time for no high voltage after servicing is useful when the filter cells are damp or condensed in winter time. This setting will go back to default value if power is interrupted to the air cleaner.

- Default: OFF (all leds are off), when the air cleaner is switched on, there's always high voltage on the cell(s).
- Press ▲: led • (LOW) will light up, meaning you've set the time of no high voltage to 30 minutes.
- Press ▲: led •• (MEDIUM) will light up, meaning you've set the time of no high voltage to 60 minutes.
- Press ▲: led ••• (HIGH) will light up, meaning you've set the time of no high voltage to 120 minutes.
- Press ▲: led •••• (TURBO) will light up, meaning you've set the time of no high voltage to 240 minutes.
- If you want to go back to one of the previous time setting levels, press ▼.
- Press PROGRAM to confirm setting 8. The air cleaner will return to the normal running mode.

Reset to factory default

To reset the factory default settings:

Open the inlet grid, press the panel button (>>). While pressing the panel button (>>) close the inlet grid. Release the panel button (>>) when you hear two beeps.

Everything is now back into the default setting, except the Service Indicator (hours in use).

9 FILTER REPLACEMENT/CLEANING

See fig. 8 on page 25

In order to open the inlet grid (i.e. access the filter components), a narrow round screwdriver type tool will be needed (such as a torx type). The inlet grid is secured by two mechanical clips. To release these clips there are two access holes parallel to the control board faceplate on the inlet grid (approx. 3½" from the sides).

Insert the tool into the access holes and gently push further through some light resistance. This will allow the clips to be "unlocked" and thus the inlet grid will open easily.

DO NOT PULL THE DOOR OPEN WITHOUT RELEASING THE CLIPS.

9.1 Prefilter replacement

The disposable prefilter can only be used once and cannot be cleaned. Do not turn the prefilter around since it can only be used in one flow direction.

9.2 Electronic filter cleaning

A crackling or snapping sound will be heard occasionally during use of the air cleaner. This is normal and is caused by high voltage arcing in the filter. Cleaning the electronic filter is necessary when the crackling is heard frequently.

	CAUTION
	<p>CELLS MAY CONTAIN SHARP EDGES.</p> <p>Use care when servicing unit or handling cells. Failure to do so could result in minor personal injury.</p>

For maximum efficiency your air cleaner cell(s) should be cleaned regularly. When cleaning is required the following procedure should be used:

Cleaning the cell(s)

- Turn the air moving system OFF and disconnect the air cleaner from power. Wait 15 seconds for the collecting cell(s) to discharge.
- Remove the cell(s) and prefilter(s) from cabinet. Using a solution of warm water and low sudsing detergent, soak cell(s) for 20 to 30 minutes. Discard prefilter(s) and carbon filter(s).

NOTE: Ionizing wires may become coated causing loss of cleaning ability by the collecting cell. Using a damp cloth, wipe each ionizing wire, exercising care not to damage them.



- C Remove the cell(s) from the solution and rinse thoroughly with clean hot water.
- D Allow cell(s) to drip dry for a **minimum of 2 hours**. Cell(s) may be tipped at a slight angle to expedite the drip-dry process.
- E Reinstall the cell(s) and new replacement prefilter(s) and carbon filter(s) in the cabinet.

A moderate amount of arcing or "snapping" may occur when the unit is turned on. This may indicate that the cell(s) are still damp. Turn the unit off and allow it more drying time or go to Program Setting 8.

9.3 Media filter replacement

The disposable media filter can only be used once and cannot be cleaned. Replace as necessary.

9.4 Activated carbon or Odor Free filter replacement

The disposable activated carbon or the Odor Free filters can only be used once and cannot be cleaned. They are located behind the electronic/media filter. Replace as necessary.



10 BASIC SERVICE GUIDE

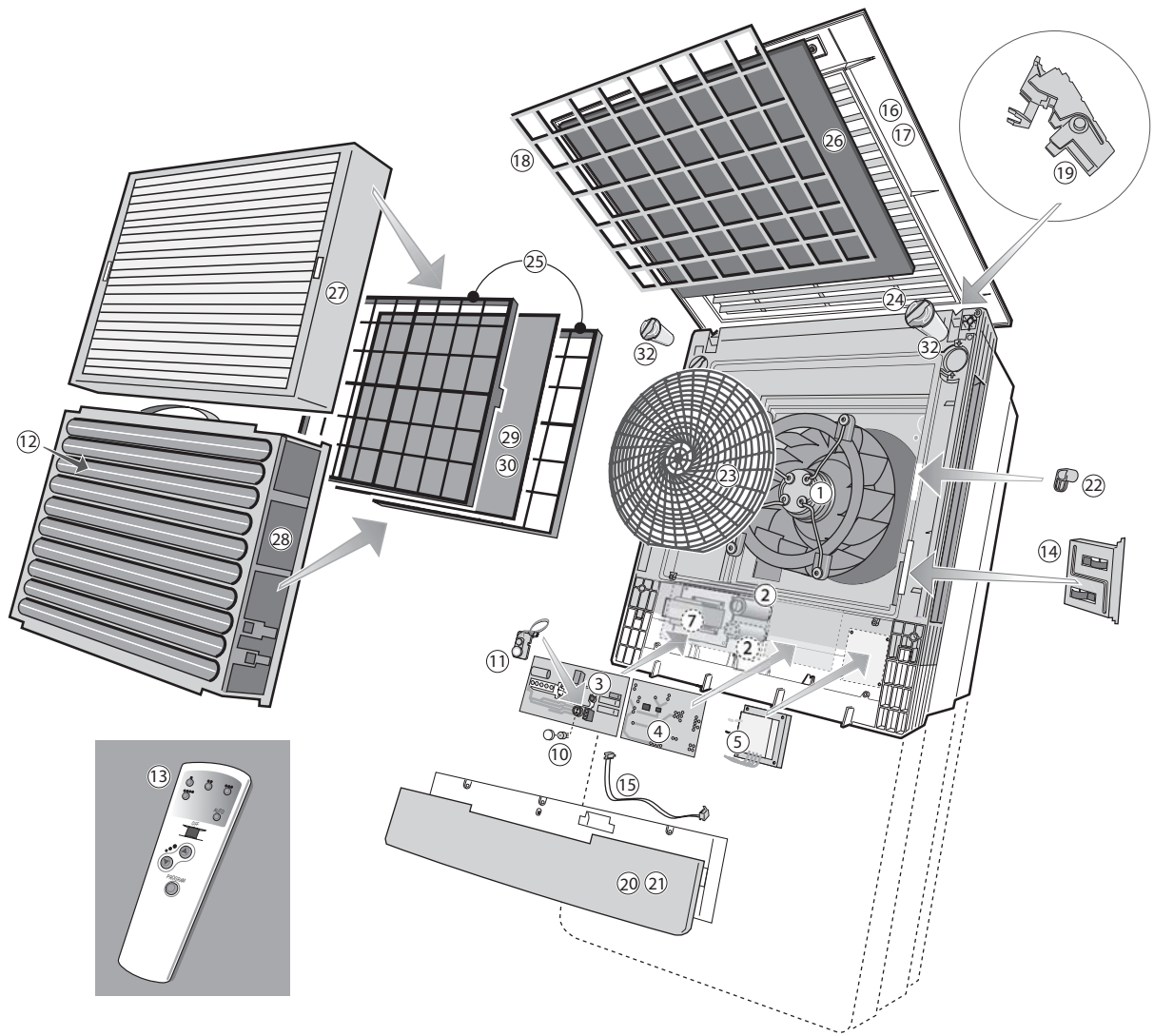
The Basic Service Guide should cover most performance issues. If after checking the items listed, the air cleaner still fails to operate properly please contact your distributor.

Condition	Possible cause	Solution
Air cleaner inoperable.	Malfunctioning safety switch.	Properly close the extraction grid or contact your service person.
	Disconnected from power.	Reconnect power.
	Faulty cord or plug.	Distributor to replace the cord or plug.
	Faulty hardware and/or software.	Contact your distributor for replacement parts.
Poorly operating or malfunctioning remote control.	(Nearly) exhausted battery.	Check the red led above the ● button on the remote control by pressing any button. Replace the battery if the led is not activated.
Fan fails to rotate.	Defective fan.	Contact your distributor for replacement parts.
	Faulty hardware and/or software.	Contact your distributor for replacement parts.
Fan works but the air cleaner functions poorly or not at all.	One or more filters are polluted.	Replace or clean the filters.
	Vents are closed.	Open one or more of the vents (see section 5).
	Dirt in the electronic filter causes a short-circuit (STANDBY led blinks)	Clean the electronic filter.
Crackling sound from the electronic filter.	Electronic filter dirty or wet.	Clean or dry the electronic filter.
	Missing prefilter.	Install prefilter.
The air cleaner cannot be controlled manually.	Control is locked out.	See Program Setting # 4 (page 7) to unlock.
STANDBY led blinks.	Dirt in the electronic filter causes a short-circuit.	Clean the electronic filter.
	Short-circuit in the electronic filter by a broken ionizing wire and/or bent collector plates.	Contact your distributor.
	Air cleaner is in PROGRAM mode.	Push the PROGRAM button on the remote control once or several times to scroll through the menu or wait for 1 minute.
●●● and ● leds blink.	The Service Indicator indicates that the filters are clogged.	Clean the electronic filter or replace the media filter.
The fan speed does not increase when using the Air Quality Analyzer.	Fan speed limited.	See Program Setting # 6 (page 8) to change maximum fan speed.
The Air Quality Analyzer starts while the atmosphere is apparently clean.	Sensor reacts to, for instance, high or low humidity or fumes from cleaning agents.	The sensitivity will adjust itself after some time.
	Air Quality Analyzer is too sensitive.	Contact your distributor.
Smells are no longer adsorbed.	Activated carbon filter or Odor Free filter is saturated.	Replace the activated carbon filter or Odor Free filter.

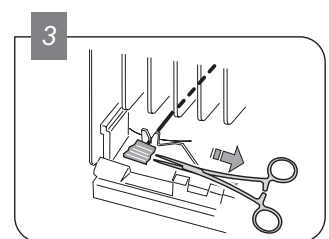
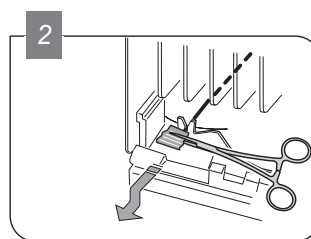
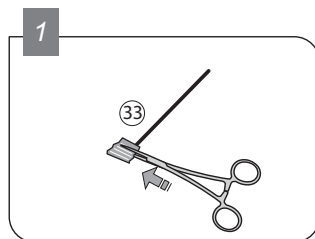
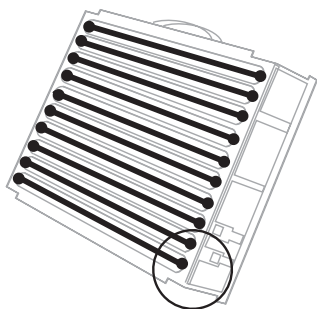
Parts List



Pos.	White-Rodgers P/N	Description	UL	Units where used								Price €
				MCS600W	MCS600B	MCD1200W	MCD1200B	ECS750W	ECS750B	ECD1500W	ECD1500B	
Electrical components												
1	F849 0064	Motor + fan (120V/1ph/60Hz)	x	x	x	x	x	x	x	x	x	96,00
2	F809 0095	Capacitor 5,0 μF (120V/1ph/60Hz)	x	x	x	x	x	x	x	x	x	1,40
3	F859 0386	PC board control	x	x	x	x	x	x	x	x	x	72,00
4	F859 0387	PC board HT	x					x	x	x	x	40,40
5	F881 0241	HT transformer (120V/1ph/60Hz)	x					x	x	x	x	65,60
7	F881 0242	Transformer motor (120V/1ph/60Hz)	x	x	x	x	x	x	x	x	x	30,60
8	F881 0244	Choke 120V/60Hz Kit UV Light	x	x	x	x	x	x	x	x	x	25,00
10	F829 0014	Fuse 4,0 A-T (120V/60Hz)	x	x	x	x	x	x	x	x	x	1,44
11	F848 0389	Sensor module Air Quality Analyzer	x	x	x	x	x	x	x	x	x	80,40
12	F843 1398	Ionizing wires collecting cell (set of 10)	x					x	x	x	x	15,88
13	F848 0390	Remote control	x	x	x	x	x	x	x	x	x	15,64
14	F819 0160	Contact board	x					x	x	x	x	6,20
15	F843 1399	Flatcable	x					x	x	x	x	1,24
Mechanical components												
16	F831 0131	Inlet grid white	x	x	x	x	x	x	x	x	x	28,84
17	F831 0132	Inlet grid bronze	x	x	x	x	x	x	x	x	x	44,00
18	F828 0212	Frame prefilter	x	x	x	x	x	x	x	x	x	2,48
19	F833 0023	Hinge inlet grid	x	x	x	x	x	x	x	x	x	0,84
20	F820 0355	Base cover white	x	x				x				7,50
21	F820 0356	Base cover bronze	x		x				x			11,80
22	F839 0020	Turning knob electronic cell	x					x	x	x	x	0,60
23	F828 0213	Fan protection frame	x	x	x	x	x	x	x	x	x	2,48
24	F820 0357	Cover fragrance gel	x	x	x	x	x	x	x	x	x	0,40
25	F828 0214	Frame activated carbon filter (set of 10)	x	x	x	x	x	x	x	x	x	24,72
Spare filters												
26a	F825 0630	Prefilter (72 pcs)	x	x	x	x	x	x	x	x	x	75,60
26b	F825 0631	Prefilter (600 pcs)	x	x	x	x	x	x	x	x	x	540,00
27a	F825 0632	Media filter (2 pcs)	x	x	x	x	x					42,00
27b	F825 0633	Media filter (40 pcs)	x	x	x	x	x					800,00
28	F825 0634	Electronic cell	x					x	x	x	x	84,40
29a	F825 0635	Activated carbon filter (72 pcs)	x	x	x	x	x	x	x	x	x	205,20
29b	F825 0636	Activated carbon filter (625 pcs)	x	x	x	x	x	x	x	x	x	1.625,00
30a	F825 0628	Activated carbon filter Odor Free (option, 2 pcs)	x	x	x	x	x	x	x	x	x	47,40
30b	F825 0629	Activated carbon filter Odor Free (option, 48 pcs)	x	x	x	x	x	x	x	x	x	1.056,00
32	F848 0391	Fragrance gel (72 pcs)		x	x	x	x	x	x	x	x	165,60
	F801 0198	Level 1 Service Kit includes: 6 Pre-filters, 1 media filter, 6 activated carbon filters		x	x	x	x					71,50
	F801 0199	Level 2 Service Kit includes: 12 Pre-filters, 2 media filters, 12 activated carbon filters		x	x	x	x					114,25
	F801 0200	Level 3 Service Kit includes: 18 Pre-filters, 3 media filters, 18 activated carbon filters		x	x	x	x					157,50
	F801 0201	Level 4 Service Kit includes: 24 Pre-filters, 4 media filters, 24 activated carbon filters		x	x	x	x					200,50
	F801 0202	Service Kit for Electronic Air Cleaners includes: 12 Pre-filters, 12 activated carbon filters						x	x	x	x	75,00
General components												
33	F848 0386	Service tool for ionizing wires electronic cell						x	x	x	x	12,36
34	F810 0360	Service transport box electronic cell						x	x	x	x	20,30
	F801 0194	Corner Wall Mount Hardware Kit		x	x			x	x			
	F801 0193	Wall mounting kit for single air cleaner (option)		x	x			x	x			5,20
	F801 0196	Recessed ceiling mount kit for single air cleaner		x	x			x	x			11,00
	F801 0197	Recessed ceiling mount kit for double air cleaner				x	x			x	x	16,00
	F848 0384	Pedestal mount for single air cleaner (option)		x	x			x	x			64,00
	F801 0195	Ceiling mount kit		x	x	x	x	x	x	x	x	5,20



Replacement ionizing wires electronic cell





INSTRUCTIONS DE SÉCURITÉ IMPORTANTES	13
MANUEL OPÉRATEUR	15
1 INTRODUCTION	15
2 DESCRIPTION DU PRODUIT	15
2.1 Paquet de filtre	15
2.2 Option	15
3 MONTAGE/INSTALLATION	15
3.1 Spécifications techniques	15
3.2 Montage/installation de l'épurateur d'air	15
4 ENTRETIEN	15
4.1 Fréquence de remplacement/nettoyage des filtres	15
4.2 Nettoyage de la partie extérieure de l'épurateur	16
5 COMMANDE	16
5.1 Commande par le bouton frontal	16
5.2 Commande par la télécommande	16
5.3 Commande automatique (mode AUTO)	16
6 MODES DE PROGRAMMATION	16
6.1 Mode de Programmation 1: Indicateur Service	16
6.2 Mode de Programmation 2: Réinitialisation de l'Indicateur Service	17
7 REPARATION DES PANNES	17
GUIDE DE SERVICE TECHNIQUE	18
8 AJUSTEMENT AUX CONDITIONS AMBIANTES SPÉCIFIQUES	18
9 REMPLACEMENT/NETTOYAGE DES FILTRES	19
9.1 Remplacement du pré-filtre	20
9.2 Nettoyage du filtre électronique	20
9.3 Remplacement du filtre média	20
9.4 Remplacement du filtre à charbon actif ou du filtre Odor Free	20
10 GUIDE DE SERVICE TECHNIQUE DE BASE	21
PIÈCES DÉTACHÉES	22



Lisez et gardez ces instructions


ATTENTION

Avant d'installer et d'utiliser l'épurateur d'air, veuillez lire les instructions du dispositif. Vous pourrez ainsi tirer le meilleur avantage de l'épurateur d'air que vous avez sélectionné.

- A Lisez soigneusement le Manuel Opérateur et les Instructions de Sécurité Importantes. Ne pas lire ces instructions, peut se provoquer d'une panne du filtre ou d'un fonctionnement non adéquat.
- B Pour une utilisation efficace du dispositif, observez un calendrier régulier de service technique et d'entretien.

Pour réduire le risque de chocs électriques, d'incendie et de blessures corporelles:

- Ne pas utiliser l'épurateur d'air dans des emplacements humides ou détrempés.
- Ne pas utiliser l'épurateur d'air dans des locaux de cuisine.
- Ne pas utiliser l'épurateur d'air avec des dispositifs de contrôle de vitesse transistorisés (à semi-conducteurs), comme un variateur.
- Ne pas utiliser l'épurateur d'air à l'extérieur.
- Ne pas utiliser l'épurateur d'air dans des conditions ambiantes de plus de 95°F/35°C.

	AVERTISSEMENT
	DANGER D'ÉLECTROCUTION. Avant d'effectuer des opérations d'entretien, déconnectez le dispositif du réseau. Ne pas observer cette instruction pourrait entraîner des blessures sérieuses ou mortelles.

AVERTISSEMENT
Ne tentez pas d'installer le présent dispositif, à moins que vous ne soyez familiarisé avec les outils nécessaires, l'équipement, les connexions utilitaires et les risques potentiels. L'installation ne doit être effectuée que par un fournisseur de service technique qualifié. Ne pas obéir à ce principe est susceptible de réduire les performances de l'unité, et d'entraîner des blessures sérieuses ou la mort.

	ATTENTION
	LES SECTIONS DU FILTRE PEUVENT PRÉSENTER DES BORDS TRANCHANTS. Soyez prudent lorsque vous soumettez le filtre à des opérations techniques ou lorsque vous manipulez les sections du filtre. Ne pas suivre cette instruction pourrait se traduire par des blessures individuelles mineures.



AVERTISSEMENT

L'installation doit être conforme au code électrique local ou aux autres codes applicables.
Avant d'effectuer l'installation, commencez par passer en revue et par comprendre les codes locaux.
N'utilisez pas l'appareil en question dans un environnement inflammable ou comportant des risques d'explosion.
Ne pas respecter à ces instructions pourrait se traduire par des blessures personnelles graves ou par la mort.

Montage/installation

Suivez scrupuleusement les instructions de montage.

Avant que de procéder au montage, mettez l'épurateur d'air hors tension.

Pour réduire le risque de chocs électriques, cet appareil est équipé d'une fiche de mise à la terre ne pouvant être utilisée qu'avec une prise reliée à la terre. Si le branchement est impossible, prenez contact avec du personnel qualifié pour que soit installée la prise de courant qui convient. N'utilisez jamais une prise modifiée.

Faites usage de votre bon sens. Restez vigilant et concentrez-vous sur votre travail. N'utilisez pas le produit si vous êtes fatigué ou si vous vous trouvez sous l'influence de drogues, d'alcool ou de médicaments, etc.

N'employez que les vis fournies avec le kit d'installation. L'utilisation d'autres vis pourrait endommager l'épurateur d'air et entraîner des risques de chocs électriques, d'incendie ou de blessures corporelles.

Lors de la fixation des accessoires de montage, évitez de forcer les vis pour les serrer: vous risqueriez d'endommager l'épurateur d'air ou d'obtenir une installation peu sûre (pouvant entraîner la chute de l'épurateur d'air).

Après son installation sur le mur, ne changez pas l'épurateur de place.

Lorsque vous nettoyez un épurateur d'air monté au mur, procédez avec précaution.

Utilisez exclusivement le kit de montage pour encastrement des épurateurs d'air dans le plafond.

N'utilisez pas le châssis d'encastrement dans le plafond pour supporter le poids de l'épurateur d'air.

Risque d'incendie!

N'utilisez pas l'épurateur d'air dans des locaux où sont présents des gaz inflammables.

Instructions de Sécurité Importantes



N'utilisez jamais l'épurateur d'air pour aspirer et/ou filtrer des matières inflammables, couvants sous la cendre ou brûlants.

N'utilisez jamais le produit pour aspirer et/ou filtrer des vapeurs agressives ou des particules abrasives.

Ne placez pas des objets sur le dessus de l'épurateur d'air.

N'utilisez pas l'appareil lorsque le fil électrique est endommagé.

Ne tirez pas sur le fil pour débrancher l'appareil. Protégez le fil contre la chaleur, l'huile et les objets abrasifs. N'enroulez pas un objet quelconque sur le fil. N'utilisez pas le fil pour tirer ou charrier l'unité; n'utilisez pas le fil comme moyen de manutention, ne le compressez pas pour le faire passer sous une porte, évitez de le mettre en contact avec des bords ou des coins tranchants.

Ne déplacez pas l'épurateur sans l'avoir préalablement débranché.



1 INTRODUCTION

Dans ce manuel, vous trouverez les indications se rapportant au montage, à l'usage et à l'entretien de l'épurateur d'air. Nous vous conseillons de commencer votre lecture par les Instructions de Sécurité Importantes.

2 DESCRIPTION DU PRODUIT

L'épurateur d'air est muni d'un Analyseur de Qualité d'Air, qui mesure en continu la pollution de l'air ambiant et règle la vitesse du ventilateur en conséquence. Le capteur de l'analyseur réagit à l'encrassement gazeux se manifestant, par exemple, dans la fumée de tabac.

2.1 Paquet de filtre

Voir fig. 1 sur page 25

L'air pollué est nettoyé en trois phases successives.

2.1.1 Pré-filtre [A]

Le pré-filtre retient les particules grossières de poussière, ainsi que d'autres agents de pollution.

2.1.2 Filtre électronique [B]

Le filtre électronique offre un rendement élevé. Il est conçu pour retenir les particules d'encrassement d'une grosseur supérieure à 0,01 microns;

ou (en cas du filtre média):

2.1.3 Filtre média [B]

Du fait de son pliage particulier, le filtre média est doté d'une surface active particulièrement grande, ce qui se traduit par une faible résistance à l'air et une haute capacité de rétention de l'encrassement.

2.1.4 Filtre à charbon actif [C]

Le filtre à charbon actif adsorbe les odeurs désagréables.

2.2 Option

2.2.1 Odor Free

En cas qu'un filtre Odor Free à été installé, les fortes concentrations d'odeur peuvent être réprimées. Le filtre standard au charbon actif est remplacé par ce filtre Odor Free.

3 MONTAGE/INSTALLATION

3.1 Spécifications techniques

	Simple	Double
Dimensions	24.8x24.4x11.4 in. 630x620x290 mm	24.8x41.3x11.4 in. 630x1050x290 mm
Hauteur de suspension max.	8.3 in. 210 mm	8.3 in. 210 mm
Poids	max. 39.9 lbs. max. 18 kg	max. 65.5 lbs. max. 34 kg
Consommation: - électronique - média	130 W 118 W	225 W 222 W
Voltage	115V, 60Hz	115V, 60Hz

3.2 Montage/installation de l'épurateur d'air

L'épurateur d'air peut être installé de plusieurs manières à l'aide de différents kits d'installation.

- Pour le montage mural, utilisez le kit d'installation # F801 0193. Ce kit n'est utilisable qu'avec le modèle simple.
- Pour le montage au plafond des épurateurs d'air, utilisez le kit d'installation # F801 0195. Pour le modèle simple, vous aurez besoin d'un seul exemplaire du kit d'installation, tandis que le modèle double, lui, requiert l'utilisation de deux exemplaires du même kit.
- Pour le montage encastré du modèle simple, utilisez le kit d'installation # F801 0196. Pour le modèle double, utilisez le kit d'installation # F801 0197.

Aucun composant pour montage au plafond ou encastré dans le plafond n'est compris dans les kits proposés.

Assurez-vous de ce que les dispositifs de montage soient effectivement capables de supporter l'effort qui leur est demandé. Les poids des épurateurs d'air sont respectivement d'au maximum 18 kg/39.9 livres et 34 kg/65.5 livres.

Si vous souhaitez utiliser le modèle simple sur un piédestal, employez le kit d'installation piédestal # F848 0384.

Utilisez les matériaux en conformité avec les indications du manuel d'installation. Ne connectez l'épurateur d'air au réseau électrique qu'une fois l'installation terminée.

4 ENTRETIEN

Entretenez soigneusement votre épurateur d'air. Un épurateur d'air mal entretenu peut présenter des risques d'incendie. Pendant l'entretien et le nettoyage de l'appareil, l'épurateur doit être toujours débranché.

Suivez les consignes de maintenance et les conseils concernant le remplacement des filtres. Remplacez ou nettoyez les filtres à temps.

N'utilisez que les pièces détachées originales manufacturées par le fabricant.

Inspectez le produit régulièrement pour vous assurer qu'il n'est pas endommagé. Vérifiez le bon fonctionnement des dispositifs de sécurité et, le cas échéant, exécutez immédiatement les réparations nécessaires.

Contrôlez régulièrement le fil d'alimentation électrique. Quand vous constatez qu'il est endommagé, faites-le remplacer par une personne qualifiée pour ce faire.

4.1 Fréquence de remplacement/nettoyage des filtres

La fréquence à laquelle les filtres doivent être changés/nettoyés dépend de la situation environnementale, des positions de ventilation utilisées et de la durée d'usage de l'épurateur. Pour en savoir plus sur la fréquence de remplacement/nettoyage, vous pourrez faire usage de l'Indicateur Service. Voyez les



Modes de Programmation, mode 1.

En cours de fonctionnement, il peut arriver que l'épurateur d'air produise un bruit de crépitement. Ce bruit est normal et est dû à une production d'étincelles. Cependant, s'il arrivait que cette génération d'étincelles se produise plus souvent ou même constamment, le filtre électronique doit être nettoyé.

Le remplacement/nettoyage du filtre doit être exclusivement réalisé comme décrit dans la section Guide de Service Technique.

4.2 Nettoyage de la partie extérieure de l'épurateur

Nettoyez l'extérieur de l'appareil avec un chiffon humide. N'utilisez jamais de détergent contenant de l'ammoniaque ou des matières abrasives. L'appareil ne supporte pas l'emploi des solvants organiques tel que la benzine, etc. Après détection des produits de nettoyage utilisés, l'Analyseur de Qualité d'Air peut avoir temporairement une réaction inhabituelle.

5 COMMANDE

Voir fig. 5 sur page 25

Pour prévenir une possible surchauffe du ventilateur, ne fermez pas toutes les grilles d'évacuation en même temps.

L'épurateur d'air ne convient qu'à l'épuration de l'air des espaces intérieurs.

L'utilisateur est responsable des dommages causés par une mauvaise utilisation de l'épurateur. N'utilisez pas l'appareil lorsque certaines pièces et dispositifs de sécurité sont manquants, défectueux ou endommagés.

L'épurateur d'air peut être commandé à trois façons différentes:

- A Par le bouton frontal (bouton >>), pour choisir les vitesses du ventilateur ou le mode AUTO
- B Par la télécommande
- C Automatiquement par l'Analyseur de Qualité d'Air (mode AUTO)

5.1 Commande par le bouton frontal

Voir fig. 2 sur page 25

Vous pouvez commander la vitesse du ventilateur par le bouton frontal (bouton >>) sur la machine comme suit:

Quand le ventilateur ne tourne pas (OFF):

- Poussez le bouton frontal (>>); la commande passe à AUTO.
- Poussez le bouton frontal (>>); la vitesse du ventilateur passe à ●●● (TURBO).
- Poussez le bouton frontal (>>); la vitesse du ventilateur passe à ●● (HIGH).
- Poussez le bouton frontal (>>); la vitesse du ventilateur passe à ●● (MEDIUM).
- Poussez le bouton frontal (>>); la vitesse du ventilateur passe à ● (LOW).
- Poussez le bouton frontal (>>); la vitesse du ventilateur passe à STANDBY.
- Poussez le bouton frontal (>>); le ventilateur s'arrête (OFF).

En poussant le bouton frontal (>>) sans cesse, la commande

passé à la vitesse suivante chaque seconde.

5.2 Commande par la télécommande

Voir fig. 3 sur page 25

Indication de la vitesse du ventilateur sur la télécommande:

- LOW (basse)
- MEDIUM (normale)
- HIGH (élevée)
- TURBO (extrême)

Attention: Si le moteur est tourné sur la position ON, l'épurateur d'air commencera automatiquement du STANDBY à la vitesse TURBO pendant 1.5 seconde (démarrage vite). Il tournera ensuite à la vitesse désirée

- OFF: permet de désactiver l'épurateur d'air.
- ▲ et ▼ : permet de commuter l'épurateur d'air sur une position de ventilation respectueusement supérieure (▲) et inférieure (▼).
- AUTO: l'épurateur d'air passe à la commande automatique.

5.3 Commande automatique (mode AUTO)

Voir fig. 4 sur page 25

Poussez le bouton AUTO sur la télécommande.

L'Analyseur de Qualité d'Air a besoin de 5 minutes de réchauffage. Il est conseillé de ne pas débrancher l'épurateur d'air de la tension électrique, pour éviter le délai de réchauffage. Si la fonction AUTO est activé pendant cette période, la diode sur le tableau de commande clignote. Après 5 minutes vous entendez un bip et l'épurateur d'air fonctionnera automatiquement.

6 MODES DE PROGRAMMATION

L'épurateur d'air est expédié, pour ce qui regarde la programmation, avec une mode de programmation d'usine par défaut. Les paramètres de programmation suivants vous permettent de personnaliser l'épurateur d'air selon vos préférences.

- Mode de Programmation 1: Indicateur Service
- Mode de Programmation 2: Réinitialisation de l'Indicateur Service

PROGRAM: poussez ce bouton une fois pour entrer en mode de programmation. Si vous ne poussez aucun bouton pendant 60 secondes dans ce mode, l'épurateur d'air retournera en la situation dernière sans confirmer la modification.

6.1 Mode de Programmation 1: Indicateur Service

L'Indicateur Service est utilisé pour prédire le moment précis du nettoyage du filtre, dans le cas d'un épurateur d'air électronique, ou de remplacement du filtre, dans le cas d'un épurateur d'air média.

L'Indicateur Service calcule la durée de vie du filtre dans un environnement de pollution donné et la vitesse actuelle du ventilateur. Du moment que le filtre est encrassé, les diodes ● et ●●● clignotent chaque fois l'épurateur est initialisé.



Les configurations recommandées pour les différents environnements pollués sont:

- BASSE: pollution de type général, sans fumée de tabac
- NORMALE: concentrations modérées de fumée de tabac
- ELEVEE: concentrations élevées de fumée de tabac
- EXTREME: concentrations très élevées de fumée de tabac

Pour sélectionner le niveau de pollution:

- Appuyez sur PROGRAM; vous êtes dans le mode 1, et la diode du STANDBY clignote brièvement toutes les deux secondes.
- Programmation de l'appareil: OFF (aucune diode ne clignote).
- Appuyez ▲: diode • (LOW) clignote, vous avez fixé le niveau de pollution sur BASSE.
- Appuyez ▲: diode •• (MEDIUM) clignote, vous avez fixé le niveau de pollution sur NORMALE.
- Appuyez ▲: diode ••• (HIGH) clignote, vous avez fixé le niveau de pollution sur ELEVEE.
- Appuyez ▲: diode •••• (TURBO) clignote, vous avez fixé le niveau de pollution sur EXTREME.
- Si vous souhaitez retourner au niveau précédant, appuyez ▼.
- Appuyez sur PROGRAM pour confirmer le mode 1 et pour aller vers le mode 2.

6.2 Mode de Programmation 2: Réinitialisation de l'Indicateur Service

L'indicateur Service doit être réinitialisé chaque fois que le filtre media est changé. Quand les diodes • et •••• clignent, il est temps de changer le(s) filtre(s) et de réinitialiser l'Indicateur Service.

Réinitialisation:

- Appuyez sur PROGRAM: vous êtes dans le mode 2, et la diode du STANDBY va clignoter deux fois toutes les deux secondes.
- Programmation de l'appareil: OFF (aucune diode ne clignote).
- Dans le cas où l'Indicateur Service est activé, pour une certaine période (mode 1), toutes les diodes clignent.
- Réinitialisation de l'Indicateur Service: appuyez OFF (aucune diode ne clignote).
- Appuyez sur PROGRAM: toutes les modifications sont confirmées et l'épurateur d'air retournera en mode de fonctionnement normal.

7 REPARATION DES PANNES

Si les diodes • et •••• clignent:

C'est l'Indicateur Service. Il vous prévient de ce qu'il est temps de remplacer ou nettoyer le(s) filtre(s).

Appuyant quelconque bouton, les diodes de l'Indicateur Service cessent de clignoter. L'Indicateur Service clignotera à nouveau lorsque l'unité aura été activée. Après le remplacement du/des filtre(s), réinitialisez l'Indicateur Service dans le mode 2.

Contactez une personne de service technique.

Si la diode AUTO clignote:

L'Analyseur de Qualité d'Air est en phase de réchauffement. L'Analyseur de Qualité d'Air est prêt à fonctionner après 5 minutes et l'épurateur d'air démarra en mode AUTO.

Si la diode STANDBY clignote:

Il y a un problème de HT dans le(s) filtre(s) électronique(s). Si un court-circuit intervient dans la section du filtre pendant plus de 60 secondes, la diode **STANDBY** clignote. Le courant alimentant la (les) filtre(s) sera coupé pendant 10 minutes, ce qui pourra permettre d'évacuer l'agent ayant causé le problème (des cheveux, par exemple) survenu dans la section collectrice. Après 10 minutes, le courant haute tension alimentera à nouveau le filtre. Le courant haute tension sera de nouveau coupé pendant 10 minutes si la cause de court-circuit est toujours là. Cette boucle se répète pour la détection de quatre courts-circuits consécutifs. Après détection, le logiciel bloque le ventilateur et l'épurateur d'air cesse de fonctionner. La section collectrice doit être nettoyée pour que l'on puisse juger s'il est possible de la remettre en service ou s'il est nécessaire de la réparer. Consultez-vous votre service technique.

Note: Après un crépitement ou un craquement (formation d'arcs électriques), la haute tension s'abaisse jusqu'à 7000 volts et recommence ensuite à remonter lentement, jusqu'à atteindre la tension de sortie programmée. Lorsque se produisent plus de 20 crépitements ou craquements dans un intervalle d'une minute, le logiciel bloque la haute tension pendant 45 secondes, après quoi, la tension remonte lentement.



AVERTISSEMENT: RISQUE DE CHOCS ÉLECTRIQUES

Ces instructions de révision technique sont exclusivement destinées à du personnel qualifié. Pour réduire le risque de chocs électriques, ne procédez pas à d'autres révisions que celles indiquées dans les instructions d'exploitation, à moins que vous ne soyez qualifié pour ce faire.

Ce guide mentionne des révisions techniques visant à aider le personnel du service technique à localiser et solutionner les dysfonctionnements pouvant se présenter et entraver l'efficacité de l'épurateur d'air, ou le rendre non opérationnel. L'épurateur d'air a été conçu de manière modulaire et comprend des éléments remplaçables - telle l'unité d'alimentation à haute tension - ce qui permet au service technique de tout simplement remplacer l'élément défectueux.

8 AJUSTEMENT AUX CONDITIONS AMBIANTES SPÉCIFIQUES

Mode de Programmation 1: Indicateur Service

L'Indicateur Service est utilisé pour prédire le moment précis du nettoyage du filtre, dans le cas d'un épurateur d'air électronique, ou de remplacement du filtre, dans le cas d'un épurateur d'air média.

L'Indicateur Service calcule la durée de vie du filtre dans un environnement de pollution donné et la vitesse actuelle du ventilateur. Du moment que le filtre est encrassé, les diodes • et ••• clignotent chaque fois l'épurateur est initialisé.

Les configurations recommandées pour les différents environnements pollués sont:

- BASSE: pollution de type général, sans fumée de tabac
- NORMALE: concentrations modérées de fumée de tabac
- ELEVEE: concentrations élevées de fumée de tabac
- EXTREME: concentrations très élevées de fumée de tabac

Pour sélectionner le niveau de pollution:

- Appuyez sur PROGRAM; vous êtes dans le mode 1, et la diode du STANDBY clignote brièvement toutes les deux secondes.
- Programmation de l'appareil: OFF (aucune diode ne clignote).
- Appuyez ▲: diode • (LOW) clignote, vous avez fixé le niveau de pollution sur BASSE.
- Appuyez ▲: diode •• (MEDIUM) clignote, vous avez fixé le niveau de pollution sur NORMALE.
- Appuyez ▲: diode ••• (HIGH) clignote, vous avez fixé le niveau de pollution sur ELEVEE.
- Appuyez ▲: diode •••• (TURBO) clignote, vous avez fixé le

niveau de pollution sur EXTREME.

- Si vous souhaitez retourner au niveau précédant, appuyez ▼.
- Appuyez sur PROGRAM pour confirmer le mode 1 et pour aller vers le mode 2.

Mode de Programmation 2: Réinitialisation de l'Indicateur Service

L'indicateur Service doit être réinitialisé chaque fois que le filtre media est changé. Quand les diodes • et ••• clignotent, il est temps de changer le(s) filtre(s) et de réinitialiser l'Indicateur Service.

Réinitialisation:

- Appuyez sur PROGRAM: vous êtes dans le mode 2, et la diode du STANDBY va clignoter deux fois toutes les deux secondes.
- Programmation de l'appareil: OFF (aucune diode ne clignote).
- Dans le cas où l'Indicateur Service est activé, pour une certaine période (mode 1), toutes les diodes clignotent.
- Réinitialisation de l'Indicateur Service: appuyez OFF (aucune diode ne clignote).
- Appuyez sur PROGRAM: toutes les modifications sont confirmées et l'épurateur d'air retournera en mode de fonctionnement normal.

Mode de Programmation 3: Vitesse maximale en Analyseur de Qualité d'Air (mode AUTO)

Il n'est pas possible d'aller directement vers le mode 3. Si vous appuyez simultanément sur le bouton frontal (>>) et puis sur le bouton PROGRAM avant de confirmer le mode 2, vous êtes en Mode de Programmation 3 et la diode STANDBY va clignoter brièvement à trois reprises toutes les deux secondes. Ajuster la vitesse maximale de l'Indicateur de Qualité d'Air est conseillé pour des salles de réunion et des bureaux.

- Programmation de l'appareil: •••• (TURBO).
- Appuyez ▼ etc. et aller vers la vitesse maximale désirée.
- Appuyez sur PROGRAM: confirmez le mode 3 et allez vers le mode 4.



Mode de Programmation 4: Barrage de l'opération manuelle

En mode 4 la diode STANDBY va clignoter quatre fois toutes les deux secondes.

Barrez le bouton frontal (>>), afin de s'assurer que les personnes non autorisées ne peuvent contrôler l'épurateur d'air.

- Programmation de l'appareil: débarrage; aucune diode ne clignote.
- Appuyez ▼ ou ▲: barrage; diode • (LOW) clignote.
- Appuyez ▼ ou ▲: débarrage; diode • (LOW) ne clignote pas.
- Appuyez sur PROGRAM: confirmez mode 4 et aller vers 5.

Mode de Programmation 5: Sélectionner le niveau de haute tension pour une efficacité maximale (uniquement épurateurs d'air électroniques)

En mode 5 la diode STANDBY va clignoter cinq fois toutes les deux secondes.

Cette programmation est utilisée pour réduire l'efficacité (10% maximal au niveau de haute tension basse) pour élonger le temps du cycle de service.

- Programmation de l'appareil: niveau de HT élevé (7600 V); diodes •, •• et ••• clignent.
- Appuyez ▼: niveau de HT médium (7300 V); diodes • et •• clignent.
- Appuyez ▼: niveau de HT basse (7100 V); diode • clignote.
- Appuyez ▲: pour augmenter le niveau de HT au maximum (7900 V); diodes •, ••, ••• et •••• clignent.
- Appuyez sur PROGRAM: confirmez le mode 5 et allez vers le mode 6.

Mode de Programmation 6: Vitesse maximale du ventilateur: sur la télécommande ou le bouton frontal

En mode 6 la diode STANDBY va clignoter six fois toutes les deux secondes.

Le réglage de la vitesse maximale avec la télécommande ou le bouton frontal est très pratique lorsque l'épurateur d'air est installé dans des salles de réunion et des bureaux à espace décroissant.

- Programmation de l'appareil: •••• (TURBO).
- Appuyez ▼ etc. et aller vers la vitesse maximale désirée.
- Appuyez sur PROGRAM: confirmez le mode 6 et allez vers le mode 7.

Mode de Programmation 7: Réglage de la sensibilité de l'Analyseur de Qualité d'Air

En mode 7 la diode STANDBY va clignoter sept fois toutes les deux secondes.

Paramétrage de la sensibilité de l'Analyseur de Qualité d'Air. Plus la sensibilité est accrue, plus la réaction au niveau de pollution est rapide.

- Programmation de l'appareil: OFF (aucune diode ne clignote), ce qui dénote la sensibilité la plus faible.
- Appuyez ▲: diode • (LOW) est commuté et la sensibilité à la pollution sera réglée sur basse.
- Appuyez ▲: diode •• (MEDIUM) est commuté et la sensibilité à la pollution sera réglée sur normale.

- Appuyez ▲: diode ••• (HIGH) est commuté et la sensibilité à la pollution sera réglée sur élevée.
- Appuyez ▲: diode •••• (TURBO) est commuté et la sensibilité à la pollution sera réglée sur extrême.
- Si vous désirez retourner sur l'une des sensibilités à la pollution précédentes, appuyez ▼.
- Appuyez sur PROGRAM: confirmez le mode 7 et allez vers le mode 8.

Mode de Programmation 8: Période sans haute tension après intervention du service (uniquement épurateurs d'air électroniques)

En mode 8 la diode STANDBY va clignoter huit fois toutes les deux secondes.

Paramétrer un temps spécifique de 'non haute tension' après l'effectuation d'opérations techniques peut s'avérer utile lorsque les sections du filtre contiennent de l'humidité ou de la condensation (pendant l'hiver). Le paramétrage est ramené à la valeur par défaut lorsque le courant alimentant l'épurateur d'air est coupé.

- Programmation de l'appareil: OFF (toutes les diodes sont éteintes), lorsque l'épurateur d'air est activé, le/les filtre(s) électronique(s) sont toujours sous haute tension.
- Appuyez ▲: diode • (LOW) est commutée, la période de coupure de haute tension est paramétrée sur 30 minutes.
- Appuyez ▲: diode •• (MEDIUM) est commutée, la période de coupure de haute tension est paramétrée sur 60 minutes.
- Appuyez ▲: diode ••• (HIGH) est commutée, la période de coupure de haute tension est paramétrée sur 120 minutes.
- Appuyez ▲: diode •••• (TURBO) est commutée, la période de coupure de haute tension est paramétrée sur 240 minutes.
- Appuyez ▼ pour retourner sur une période de coupure de haute tension précédente
- Appuyez sur PROGRAM: confirmez le mode 8. L'épurateur d'air retournera en mode de fonctionnement normal.

Réinitialisation à la configuration d'usine

Pour retourner à la configuration d'usine:

Ouvrez la grille d'aspiration, appuyez sur le bouton frontal (>>). Tout en appuyant sur le bouton frontal (>>), fermez la grille d'aspiration. Relâchez le bouton frontal (>>) après que deux bips sonores se soient faits entendre.

Tous les paramétrages sont ramenés à la configuration d'usine, à l'exception de l'Indicateur Service (heures de fonctionnement).

9 REMPLACEMENT/NETTOYAGE DES FILTRES

Voir fig. 8 sur page 25

Afin d'ouvrir la grille d'aspiration (c.-à-d. accédez aux filtres), un outil rond étroit de type de tournevis sera nécessaire (comme un type de Torx). La grille d'aspiration est fixée par deux attaches mécaniques. Pour libérer ces attaches il y a deux ouvertures d'accès sur la grille d'aspiration parallèles à la plaque de commande (approx. 3 ½" des côtés). Insérez l'outil dans les ouvertures d'accès et poussez doucement par la résistance. Ceci permettra aux attaches "d'être ouvertes" et la grille s'ouvrira ainsi facilement.



NE TIREZ PAS LA GRILLE SANS LIBÉRER LES ATTACHES.

9.1 Remplacement du pré-filtre

Le pré-filtre est un filtre jetable et ne peut être nettoyé. Par ailleurs, il ne s'utilise que dans une seule direction et ne doit donc jamais être retourné.

9.2 Nettoyage du filtre électronique

En cours de fonctionnement, il peut arriver que l'épurateur d'air produise un bruit de crépitement. Ce bruit est normal et est dû à une production d'étincelles. Cependant, s'il arrivait que cette génération d'étincelles se produise plus souvent ou même constamment vous devrez nettoyer le filtre électronique.

	<p>ATTENTION</p> <p>LES SECTIONS DU FILTRE PEUVENT PRÉSENTER DES BORDS TRANCHANTS.</p> <p>Soyez prudent lorsque vous soumettez le filtre à des opérations techniques ou lorsque vous manipulez les sections du filtre. Ne pas suivre cette instruction pourrait se traduire par des blessures individuelles mineures.</p>
--	--

Pour que l'efficacité de votre épurateur d'air soit maximale, le (les) filtre(s) électronique(s) de votre épurateur devra (devront) être nettoyé(e)s régulièrement. Lorsqu'un nettoyage est requis, il est nécessaire de se conformer à la procédure suivante:

Nettoyage du/des filtre(s) électronique(s)

- A Coupez le ventilateur (OFF) et déconnectez l'épurateur d'air du réseau. Attendez 15 secondes, pour que le (les) filtre(s) électronique(s) puisse(nt) se décharger.
- B Enlevez le (les) filtre(s) électronique(s) et le (les) pré-filtre(s) du cabinet. Utilisez un mélange d'eau chaude et de détergent à faible émulsion pour détremper la (les) filtres(s) électronique(s) pendant 20 à 30 minutes. Jetez le(s) pré-filtre(s) et filtre(s) au charbon actif.
NOTE: Les fils d'ionisation peuvent être encrassés, ce qui peut entraîner une diminution de la capacité de nettoyage du filtre électronique. Utilisez un chiffon humide pour essuyer tous les fils d'ionisation, en prenant soin de ne pas les endommager.
- C Enlevez le (les) filtres(s) électronique(s) de la solution et rincez abondamment avec de l'eau propre chaude.
- D Permettez au(x) filtre(s) électronique(s) de s'égoutter et de sécher pendant **2 heures au minimum**. Il est possible de tapoter légèrement le (les) filtre(s) électronique(s) pour accélérer le processus de séchage par égouttement.
- E Réinstallez le (les) filtres(s) électronique(s) et remettez en place le(s) pré-filtre(s) et le(s) filtre(s) au charbon actif dans le cabinet.

Lorsque vous activerez l'épurateur d'air, il est possible que se

produise un nombre modéré d'arcs électriques ou de craquements. Cela peut indiquer que le (les) filtre(s) électronique(s) est (sont) encore humide(s). Désactivez l'unité et permettez-lui de sécher plus longtemps ou voir Mode de Programmation 8.

9.3 Remplacement du filtre média

Le filtre média est un filtre jetable et ne peut donc être nettoyé. Remplacez-le si nécessaire.

9.4 Remplacement du filtre à charbon actif ou du filtre Odor Free

Le filtre à charbon actif et le filtre Odor Free sont des filtres jetables et ne peuvent pas être nettoyés. Le filtre au charbon actif ou le filtre Odor Free est monté derrière le filtre média/électronique. Remplacez-le si nécessaire.



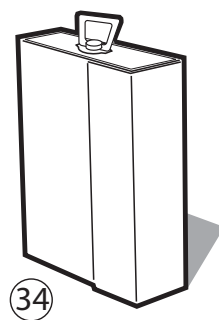
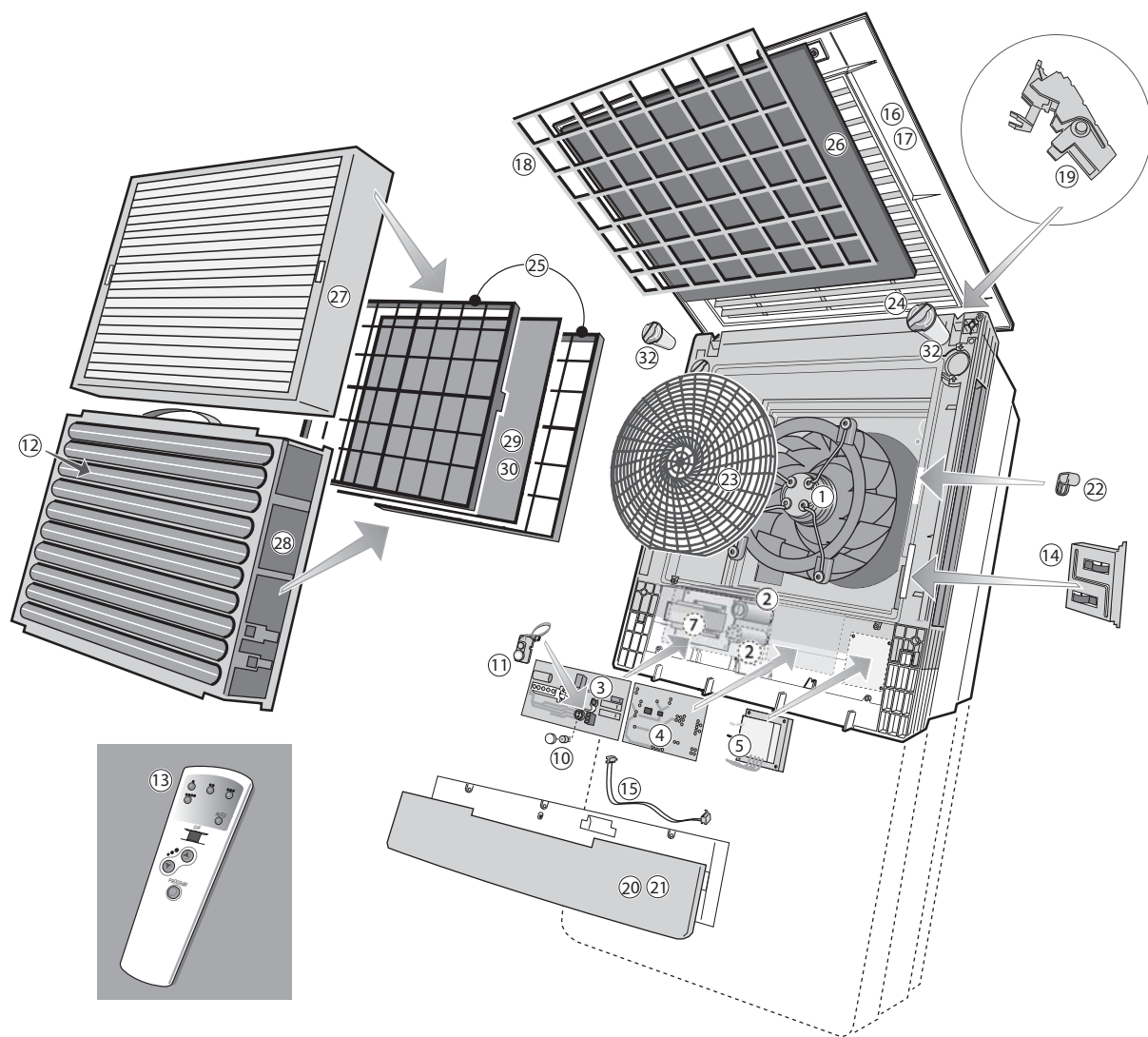
10 GUIDE DE SERVICE TECHNIQUE DE BASE

Le Guide de Service Technique de Base est destiné à permettre la résolution de la plupart des problèmes pouvant être rencontrés par l'utilisateur. Si, après vérification des points listés, votre épurateur continue à ne pas fonctionner correctement, veuillez contacter votre distributeur.

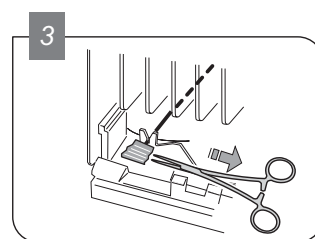
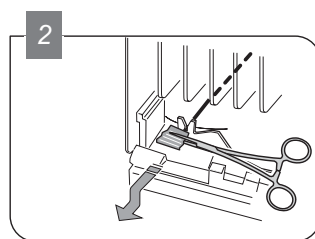
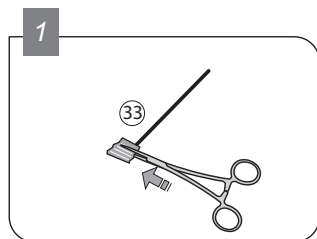
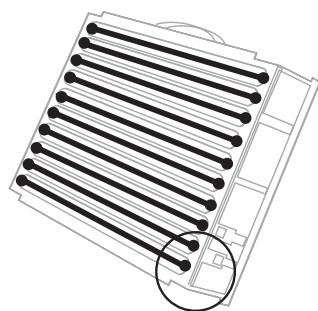
Panne	Cause possible	Solution
L'épurateur ne marche pas.	L'interrupteur de sécurité ne fonctionne pas.	Fermez correctement la grille d'aspiration ou consultez une person du service technique.
	La tension de réseau n'est pas branchée.	Connectez la tension de réseau.
	Le fil ou la prise sont défectueux.	Faites remplacer le fil ou la prise de l'appareil par votre fournisseur.
	Matériel/logiciel défectueux.	Consultez votre fournisseur pour des pièces détachées.
La télécommande fonctionne mal ou ne fonctionne pas du tout.	La batterie est (presque) vide.	Contrôlez la diode rouge située au-dessus du bouton ● sur la télécommande en appuyant, pour cela, sur n'importe quel bouton. Si la diode ne s'allume pas, remplacez la batterie.
Le ventilateur ne tourne pas.	Ventilateur défectueux.	Consultez votre fournisseur pour des pièces détachées.
	Matériel/logiciel défectueux.	Consultez votre fournisseur pour des pièces détachées.
Le ventilateur tourne, mais l'épurateur ne nettoie pas ou nettoie mal.	Un ou plusieurs filtres sont encrassés.	Remplacez ou nettoyez les filtres.
	Les grilles d'évacuation sont fermées.	Ouvrez une ou plusieurs grilles d'évacuation (voir par. 5).
	Un court-circuit s'est produit dans le filtre électronique du fait de l'encrassement (la diode STANDBY clignote).	Nettoyez le filtre électronique.
Le filtre électronique crépite.	Le filtre électronique est encrassé ou humide.	Nettoyer le filtre électronique ou bien le laisser correctement sécher.
	Le pré-filtre est manquant.	Montez le pré-filtre.
L'épurateur ne se laisse pas commander manuellement.	La commande a été bloquée.	Voir Mode de Programmation 4 (page 20) pour le débloquer.
La diode STANDBY clignote.	Un court-circuit s'est produit dans le filtre électronique du fait de l'encrassement.	Nettoyez le filtre électronique.
	Un court-circuit s'est produit dans le filtre électronique du fait de la rupture d'un fil d'ionisation et/ou du fait de la torsion accidentelle d'un plaque collectrice.	Consultez votre fournisseur.
	L'appareil se trouve en mode PROGRAM.	Appuyez une ou plusieurs fois sur le bouton PROGRAM de la télécommande ou attendre 1 minute.
Les diodes ●●● et ● clignotent.	L'Indicateur Service fait savoir, par-là, que les filtres sont encrassés.	Nettoyez le filtre électronique ou remplacez le filtre média.
L'épurateur ne passe pas en position de ventilation supérieure lorsque l'Analyseur de Qualité d'Air est utilisé.	La position de ventilation a été logiquement limitée.	Voir Mode de Programmation 6 (page 20) pour changer la position de ventilation maximale.
L'Analyseur de Qualité d'Air se met en marche dans des locaux apparemment exempts de pollution.	Le capteur réagit, entre autres, lorsque l'humidité de l'air est trop forte ou trop faible, ou lorsque est détectée la présence de gaz provenant de produits de nettoyage, etc.	La sensibilité du capteur finit par s'adapter avec le temps.
	Nécessité de diminuer la sensibilité de l'Analyseur de Qualité d'Air en procédant à un réglage adéquat.	Consultez votre fournisseur.
L'épurateur n'adsorbe plus les mauvaises odeurs.	Le filtre au charbon actif ou le filtre Odor Free sont saturés.	Remplacez le filtre au charbon actif ou le filtre Odor Free.

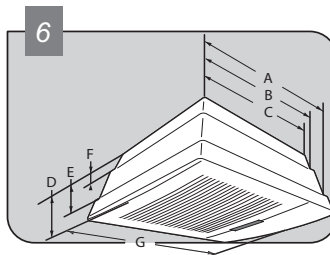
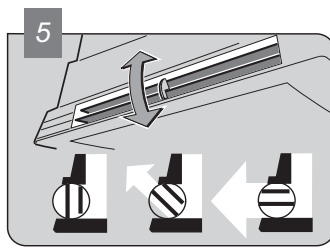
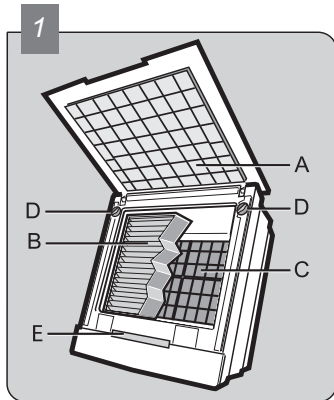


Pos.	White-Rodgers P/N	Description	UL	Unités						
				MCS600W	MCS600B	MCD1200W	MCD1200B	ECS750W	ECS750B	ECD1500W
Pièces électriques										
1	F849 0064	Moteur + ventilateur (120V/1ph/60Hz)	x	x	x	x	x	x	x	x
2	F809 0095	Condensateur 5,0 µF (120V/1ph/60Hz)	x	x	x	x	x	x	x	x
3	F859 0386	Circuit imprimé	x	x	x	x	x	x	x	x
4	F859 0387	Circuit imprimé HT	x					x	x	x
5	F881 0241	Transformateur HT (120V/1ph/60Hz)	x					x	x	x
7	F881 0242	Transformateur moteur (120V/1ph/60Hz)	x	x	x	x	x	x	x	x
8	F881 0244	Appareil auxiliaire 120V/60Hz Kit UV Light	x	x	x	x	x	x	x	x
10	F829 0014	Fusible 4,0 A-T (120V/60Hz)	x	x	x	x	x	x	x	x
11	F848 0389	Module détecteur Analyseur de Qualité d'Air	x	x	x	x	x	x	x	x
12	F843 1398	Fils d'ionisateur cellule collectrice (jeu de 10)	x					x	x	x
13	F848 0390	Télécommande	x	x	x	x	x	x	x	x
14	F819 0160	Plaque de contact	x					x	x	x
15	F843 1399	Botte de fil câble plat	x					x	x	x
Pièces mécaniques										
16	F831 0131	Grille d'aspiration blanche	x	x	x	x	x	x	x	x
17	F831 0132	Grille d'aspiration bronze	x	x	x	x	x	x	x	x
18	F828 0212	Cadre préfiltre	x	x	x	x	x	x	x	x
19	F833 0023	Charnière grille d'aspiration	x	x	x	x	x	x	x	x
20	F820 0355	Couvercle blanc	x	x				x		
21	F820 0356	Couvercle bronze	x		x				x	
22	F839 0020	Bouton à tourner cellule électronique	x					x	x	x
23	F828 0213	Grille de protection moteur	x	x	x	x	x	x	x	x
24	F820 0357	Couvercle gelée de fragrance	x	x	x	x	x	x	x	x
25	F828 0214	Cadre filtre à charbon actif (jeu de 10)	x	x	x	x	x	x	x	x
Filtres de remplacement										
26a	F825 0630	Pré-filtre (72 pièces)	x	x	x	x	x	x	x	x
26b	F825 0631	Pré-filtre 600 pièces)	x	x	x	x	x	x	x	x
27a	F825 0632	Filtre média (2 pièces)	x	x	x	x	x			
27b	F825 0633	Filtre média (40 pièces)	x	x	x	x	x			
28	F825 0634	Filtre électronique	x					x	x	x
29a	F825 0635	Filtre à charbon actif (72 pièces)	x	x	x	x	x	x	x	x
29b	F825 0636	Filtre à charbon actif (625 pièces)	x	x	x	x	x	x	x	x
30a	F825 0628	Filtre à charbon actif Odor Free (option, 2 pièces)	x	x	x	x	x	x	x	x
30b	F825 0629	Filtre à charbon actif Odor Free (option, 48 pièces)	x	x	x	x	x	x	x	x
32	F848 0391	Gelée de fragrance (72 pièces)		x	x	x	x	x	x	x
	F801 0198	Niveau 1 Kit de Service: 6 pré-filtres, 1 filtre média, 6 filtres à charbon actif		x	x	x	x			
	F801 0199	Niveau 2 Kit de Service: 12 pré-filtres, 2 filtres média, 12 filtres à charbon actif		x	x	x	x			
	F801 0200	Niveau 3 Kit de Service: 18 pré-filtres, 3 filtres média, 18 filtres à charbon actif		x	x	x	x			
	F801 0201	Niveau 4 Kit de Service: 24 pré-filtres, 4 filtres média, 12 filtres à charbon actif		x	x	x	x			
	F801 0202	Kit de Service pour épurateurs électroniques: 12 pré-filtres média, 12 filtres à charbon actif						x	x	x
Général										
33	F848 0386	Outil service pour fils d'ionisation filtre électronique						x	x	x
34	F810 0360	Boîte service pour transport filtre électronique						x	x	x
	F801 0194	Kit de montage de coin		x	x			x	x	
	F801 0193	Kit de montage mural pour épurateur Simple (option)		x	x			x	x	
	F801 0196	Kit de montage dans plafond encastré pour épurateur Simple		x	x			x	x	
	F801 0197	Kit de montage dans plafond encastré pour épurateur Double				x	x			x
	F848 0384	Kit d'installation piédestal pour épurateur Simple (option)		x	x			x	x	
	F801 0195	Kit de montage plafonnier		x	x	x	x	x	x	x

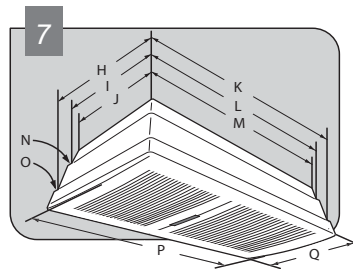
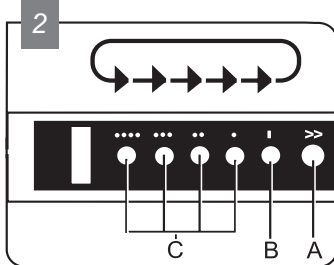


Remplacement des fils d'ionisation du filtre électronique

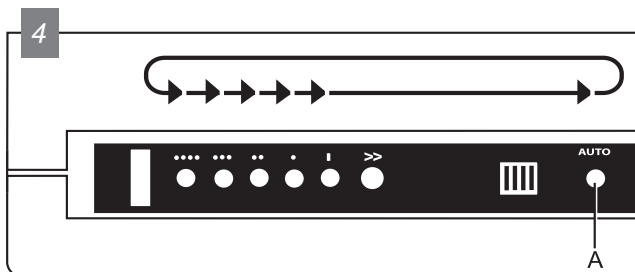
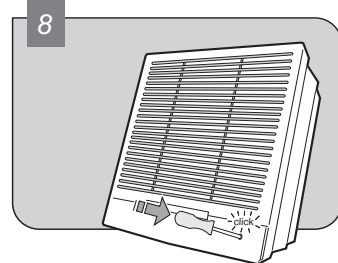
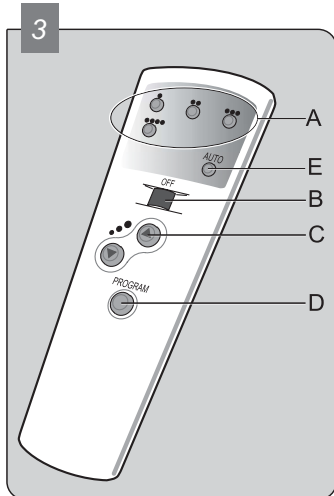




No.		mm	inches
6	A	554	21.81
	B	497	19.57
	C	463	18.23
	D	298	11.73
	E	215	8.46
	F	92	3.62
	G	629	24.76



No.		mm	inches
7	H	570	22.44
	I	510	20.08
	J	470	18.50
	K	978	38.50
	L	919	36.18
	M	878	34.57
	N	9	0.35
	O	15	0.59
	P	1054	41.50
	Q	639	25.16





WHITE-RODGERS



WHITE-RODGERS

Controlling Indoor Comfort Worldwide
Since 1937

St. Louis, Missouri
314-577-1300

Markham, Ontario
905-201-470

www.white-rodgers.com

0508082120/101203/C

The Emerson logo is a
trademark and service mark of
Emerson Electric Co.