



USER'S GUIDE
V:1630-0629-10



TD930

9" Everywhere TV + DVD

For the most up-to-date version of this User's Guide, go to www.gpx.com

Warnings and Precautions

- **CAUTION:** TO PREVENT ELECTRIC SHOCK, MATCH WIDE BLADE OF PLUG TO WIDE SLOT, FULLY INSERT.
- **WARNING:** To reduce the risk of fire or electric shock, do not expose this apparatus to rain or moisture.
- **AVERTISSEMENT:** Pour réduire le risque d'incendie ou de choc électrique, ne pas exposer cet appareil sous la pluie et l'humidité.
- **CAUTION:** Use of controls or adjustments or performance of procedures other than those specified may result in hazardous radiation exposure.
- **WARNING:** Changes or modifications to this unit not expressly approved by the party responsible for compliance could void the user's authority to operate the equipment.
- **WARNING:** Do not place the unit on top of any soft, porous, or sensitive surfaces to avoid damaging the surface. Use a protective barrier between the unit and surface to protect the surface.
- **WARNING:** Use of this unit near fluorescent lighting may cause interference regarding use of the remote. If the unit is displaying erratic behavior move away from any fluorescent lighting, as it may be the cause.
- **CAUTION:** Danger of explosion if battery is incorrectly replaced. Replace only with the same or equivalent type.
- **PRÉCAUTION:** *Danger d'explosion si les piles sont remplacées de façon incorrect. Remplacer les piles seulement par le même type de pile ou l'équivalent.*
- **WARNING:** There is a danger of explosion if you attempt to charge standard Alkaline batteries in the unit. Only use rechargeable NiMH batteries.
- **WARNING:** The remote control's button cell battery contains mercury. Do not put in the trash, instead recycle or dispose of as hazardous waste
- **WARNING:** Lithium batteries, like all rechargeable batteries are recyclable and should be recycled or disposed of in normal household waste. Contact your local government for disposal or recycling practices in your area. They should never be incinerated since they might explode.

Main plug is used as disconnect device and it should remain readily operable during intended use.

Do not mix old and new batteries. Do not mix alkaline, standard (carbon-zinc), or rechargeable (ni-cad, ni-mh, etc) batteries. *No mezcle baterías viejas y nuevas. No mezcle baterías alcalinas, estándar (carbono-zinc) o recargables (ni-cad, ni-mh, etc.).*



WARNING: TO REDUCE THE RISK OF ELECTRIC SHOCK, DO NOT REMOVE COVER (OR BACK). NO USER-SERVICEABLE PARTS INSIDE. REFER SERVICING TO QUALIFIED SERVICE PERSONNEL.



The lightning flash with arrowhead symbol, within an equilateral triangle, is intended to alert the user to the presence of uninsulated "dangerous voltage" within the product's enclosure that may be of sufficient magnitude to constitute a risk of electric shock to persons.



The exclamation point within an equilateral triangle is intended to alert the user to the presence of important operating and maintenance (servicing) instructions in the literature accompanying the appliance.



This product utilizes a Class 1 laser to read Compact Discs. This Laser Compact Disc Player is equipped with safety switches to avoid exposure when the CD door is open and the safety interlocks are defeated. Invisible laser radiation is present when the CD Player's lid is open and the system's interlock has failed or been defeated. It is very important that you avoid direct exposure to the laser beam at all times. Please do not attempt to defeat or bypass the safety switches.

Important Safety Instructions

1. Read these Instructions.
2. Keep these Instructions.
3. Heed all Warnings.
4. Follow all instructions.
5. Do not use this apparatus near water.
6. Clean only with a dry cloth.
7. Do not block any ventilation openings. Install in accordance with the manufacturer's instructions.
8. Do not install near any heat sources such as radiators, heat registers, stoves, or other apparatus (including amplifiers) that produce heat.
9. Do not defeat the safety purpose of the polarized or grounding - type plug. A polarized plug has two blades with one wider than the other. A grounding type plug has two blades and a third grounding prong. The wide blade or the third prong are provided for your safety. When the provided plug does not fit into your outlet, consult an electrician for replacement of the obsolete outlet.
10. Protect the power cord from being walked on or pinched particularly at plugs, convenience receptacles, and the point where they exit from the apparatus.
11. Only use attachments/accessories specified by the manufacturer.
12. Use only with a cart, stand, tripod, bracket, or table specified by the manufacturer, or sold with the apparatus. When a cart is used, use caution when moving the cart/apparatus combination to avoid injury from tip-over.
13. Unplug this apparatus during lightning storms or when unused for long periods of time.
14. Refer all servicing to qualified service personnel. Servicing is required when the apparatus has been damaged in any way, such as power-supply cord or plug is damaged, liquid has been spilled or objects have fallen into the apparatus, the apparatus has been exposed to rain or moisture, does not operate normally, or has been dropped.

FCC Warnings

NOTE: This equipment has been tested and found to comply with the limits for a Class B digital device, pursuant to Part 15 of the FCC Rules. These limits are designed to provide reasonable protection against harmful interference in a residential installation. This equipment generates, uses, and can radiate radio frequency energy and, if not installed and used in accordance with the instructions, may cause harmful interference to radio communications. However, there is no guarantee that interference will not occur in a particular installation. If this equipment does cause harmful interference to radio or television reception, which can be determined by turning the equipment off and on, the user is encouraged to try to correct the interference by one or more of the following measures:

- Reorient or relocate the receiving antenna.
- Increase the separation between the equipment and receiver.
- Connect the equipment into an outlet on a circuit different from that to which the receiver is connected.
- Consult the dealer or an experienced radio/TV technician for help.

Additional Warnings

- The apparatus shall not be exposed to dripping or splashing and that no objects filled with liquids, such as vases, shall be placed on apparatus.
L'appareil ne doit pas être exposé aux écoulements ou aux éclaboussures et aucun objet ne contenant de liquide, tel qu'un vase, ne doit être placé sur l'objet.
- Main plug is used as disconnect device and it should remain readily operable during intended use. In order to disconnect the apparatus from the mains completely, the mains plug should be disconnected from the mains socket outlet completely.
La prise du secteur ne doit pas être obstruée ou doit être facilement accessible pendant son utilisation. Pour être complètement déconnecté de l'alimentation d'entrée, la prise doit être débranchée du secteur.
- Battery shall not be exposed to excessive heat such as sunshine, fire or the like.
Les piles ne doivent pas être exposées à de forte chaleur, tel qu'à la lumière du soleil, au feu ou autres choses de semblable.
- Caution marking is located at the rear of the apparatus.
Les marquages sont inscrits de derrière de l'appareil.
- The marking information is located at the rear of apparatus.
Les précautions d'emploi sont inscrites de derrière de l'appareil.



9" Everywhere TV + DVD

Features

- 9" widescreen LCD
- DVD player supports: DVD, DVD±R/RW, CD, CD-R/RW, JPEG photo discs
- NTSC/ATSC tuner for off-air HDTV
- Removable stand
- Built-in rechargeable battery
- Stereo speakers
- Remote control for TV and DVD
- USB port & SD™/MMC card reader
- A/V input
- RF coaxial input
- Stereo headphone jack
- DVD A/V output
- Auto scan for TV channels
- Electronic Program Guide
- 4:3/16:9 aspect ratio
- LCD resolution: 640 x 220
- TV supports 480i, 480p, 720i, 720p, 1080i formats
- USB 2.0 high speed
- Multi-language OSD (English, French, and Spanish)
- Digital volume control
- Sleep timer
- DC power input: requires AC/DC power adapter (included) or 12V DC car adapter (included)

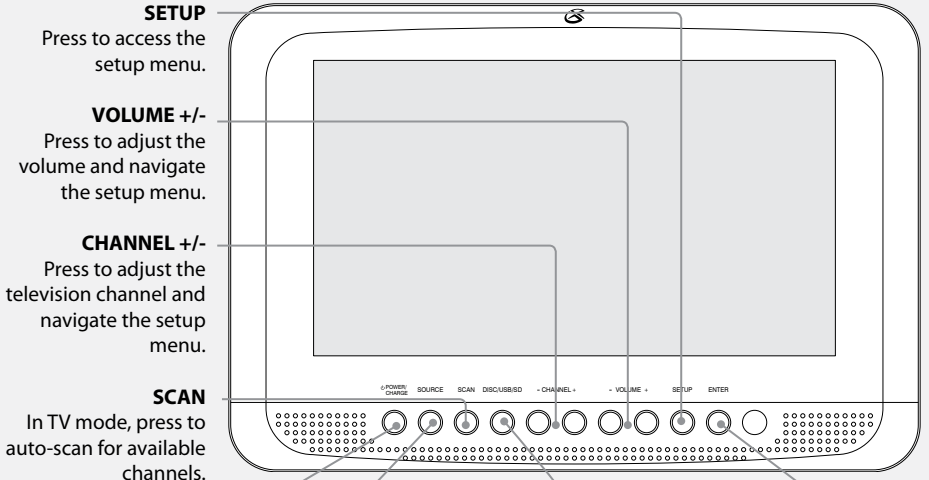
Included

- TD930B
- AC/DC power adapter
- 12V DC car adapter
- One set of stereo earbuds
- 3.5mm to RCA A/V adapter
- Remote control (CR2025 battery included)
- External TV antenna
- Removable stand
- Warranty card
- User's guide

TABLE OF CONTENTS

Warnings and Precautions	2
Important Safety Instructions	3
• FCC Warnings	
• Additional Warnings	
9" Everywhere TV + DVD	4
• Features	
• Included	
Introduction	6
Setup	8
• Connecting to an AC Power Outlet	
• Connecting to a Car Power Outlet	
• Battery Power	
• Remote Battery	
• Attaching the TV Stand	
Television Setup	10
• Connecting the RF Antenna	
• Connecting a Cable TV Source	
• Auto-Scanning for Channels	
Watching Television & the TV Menu.	11
• Watching Television	
• TV Menu	
DVD & DVD Setup Menu	12
• Loading a DVD or CD	
• Playing a DVD or CD	
• Programming a DVD or CD	
• DVD Setup Menu	
SD/MMC Memory Card Slot & USB Port	14
• Using an SD or MMC Memory Card	
• Using a USB Thumb Drive	
Audio/Video Input & DVD Output	15
• Using the DVD Output	
• Using the A/V Input	
Company Information	16
• Green Initiative	
• International Support	
• Contact Information	

Introduction

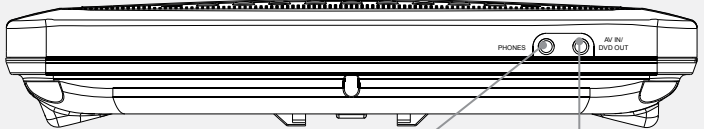


POWER/CHARGE INDICATOR
Lights when powered on. Blinks when charging.

SOURCE
Press to switch between TV, DVD, and AV IN.

DISC/USB/SD
In DVD mode, press to switch between DISC, USB, and CARD mode.

ENTER
Press to make selections on a loaded DVD or the setup menu.



STEREO HEADPHONE JACK

AV INPUT/DVD OUTPUT

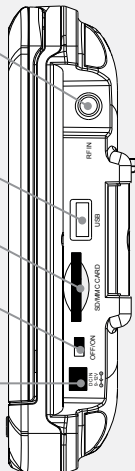
RF INPUT
Use to connect a television cable or television antenna.

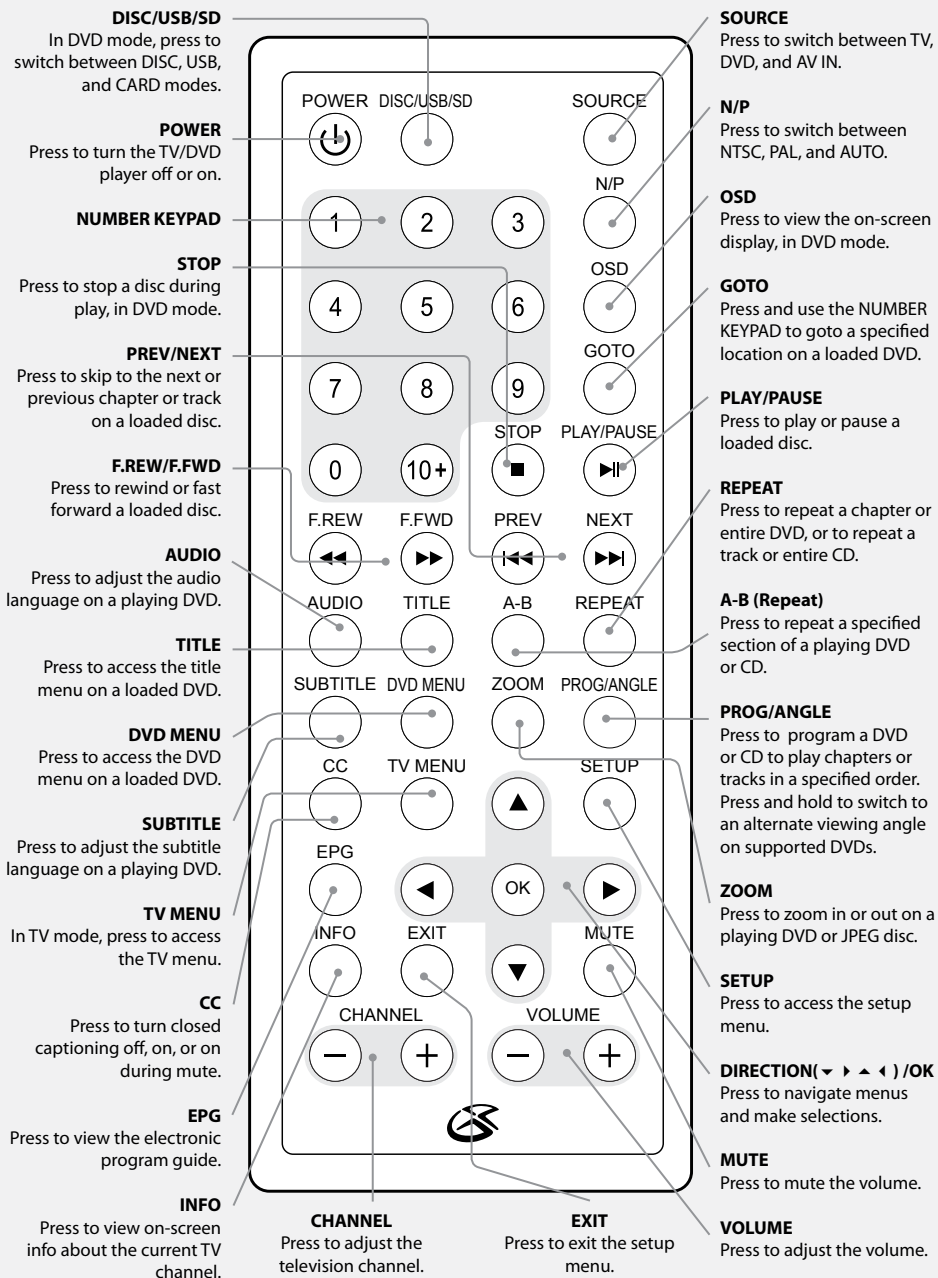
USB PORT

SD/MMC MEMORY CARD SLOT

POWER
Use to power the TV/DVD player off or on.

DC POWER INPUT

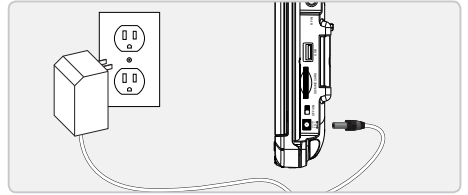




Setup

Connecting to an AC Power Outlet

Plug the included AC/DC power adapter into the **DC POWER INPUT** on the TV/DVD player and an AC power outlet.



Connecting to a Car Power Outlet

Plug the included 12V DC car adapter into the **DC POWER INPUT** on the TV/DVD player and a car power outlet.

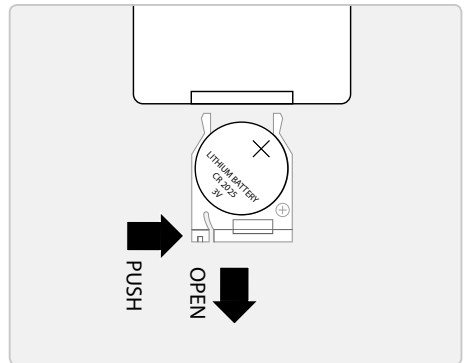
Battery Power

Built-in rechargeable battery.

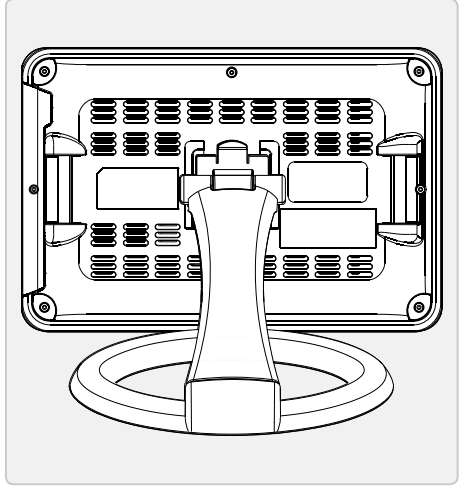
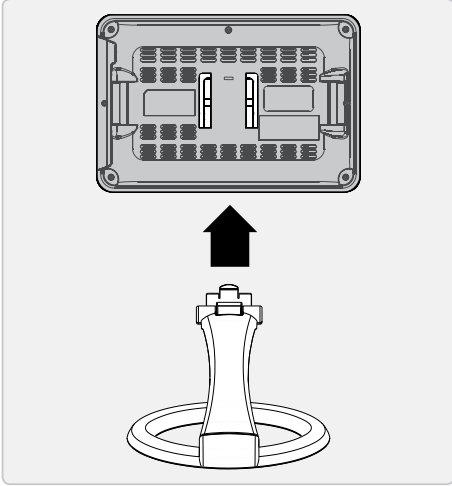
To charge the built-in battery, simply connect the TV/DVD player to an AC power outlet or a DC car power outlet.

Remote Battery

Requires 1 CR2025 battery (pre-installed).



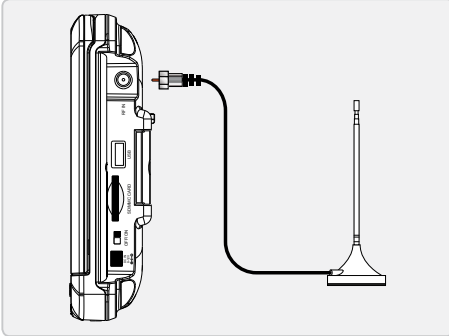
Attaching the TV Stand



Television Setup

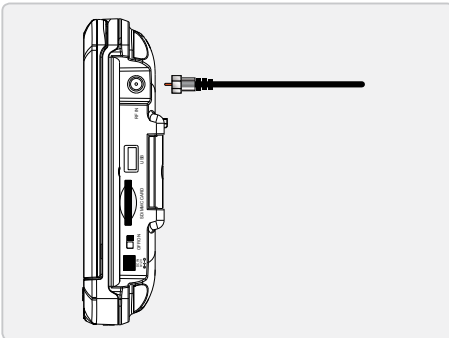
Connecting the RF Antenna

Connect the included RF antenna to the **RF INPUT** on the TV/DVD player.



Connecting a Cable TV Source

Connect the cable TV source to the **RF INPUT** on the TV/DVD player.



Auto-Scanning for Channels

Before the TV/DVD player can begin receiving television channels, a scan for available channels must be run.

1. Connect an RF antenna or cable TV source to the TV/DVD player.
2. Adjust the **POWER SWITCH** on the TV/DVD player to the ON position.
3. Press the **SOURCE** button repeatedly to select TV mode. Press the **ENTER** button.
4. Press the **SCAN** button on TV/DVD player.

*A dialog box will appear on the display. Select **YES** if you want to run the auto scan. Select **NO** to cancel.*

5. Press the **VOLUME** buttons to select between AIR and CATV.

Select AIR if you have an RF antenna connected to the TV/DVD player.

Select CATV if you have a cable TV source connected to the TV/DVD player.

6. Press the **ENTER** button.
7. The TV/DVD player will now automatically begin scanning for available channels. This process can take several minutes to complete.

*To exit the Auto-Scan before it has completed, press the **TV MENU** button on the remote.*

Watching Television & the TV Menu

Watching Television

Before watching television, you must connect an RF ANTENNA (included) or a cable TV source, and following the instructions for [Auto-Scanning for Channels](#).

1. Adjust the **POWER SWITCH** on the TV/DVD player to the ON position.
2. Press the **SOURCE** button repeatedly to select TV mode. Press the **ENTER** button.
3. Press the **CHANNEL** buttons to change the channel and watch television.

TV Menu

Display

- Picture Mode
 - Standard
 - Dynamic
 - Soft
 - Personal
- Contrast
- Brightness
- Sharpness
- Tint
- Color

Audio

- Balance
- Audio Language
 - English
 - Spanish
 - French

Time

- OSD Duration
- Sleep Timer
- Time Zone
- Daylight Saving Time
- Clock

Settings

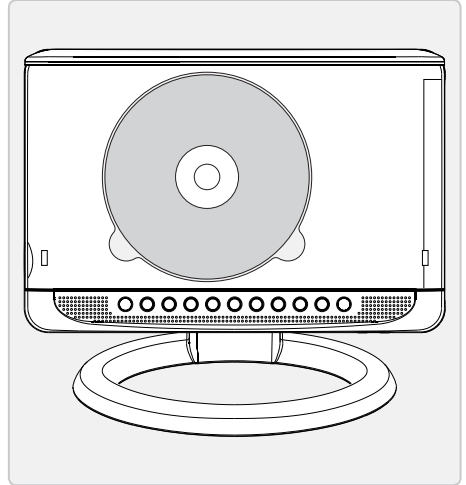
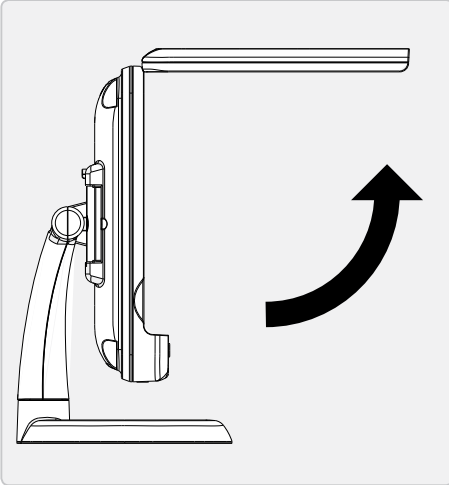
- Menu Language
- Color Mode
 - Normal
 - Warm
 - Cool
- Zoom Mode
 - Normal
 - Wide
- Closed Caption
- Restore Default

Antenna

- Antenna
 - Air
 - CATV
- Auto Scan
- Show/Hide
- Favorite
- Channel No.
- Channel Label

DVD & DVD Setup Menu

Loading a DVD or CD



Playing a DVD or CD

1. Follow the instructions for Loading a DVD or CD.
2. Adjust the **POWER SWITCH** on the TV/DVD player to the ON position.
3. Press the **SOURCE** button repeatedly to select DVD mode. Press the **ENTER** button.
4. The loaded DVD or CD will begin playing automatically.

*If the loaded DVD or CD doesn't begin playing automatically, press the **PLAY/PAUSE** button.*

Programming a DVD or CD

1. Follow the instructions for Loading a DVD or CD and Playing a DVD or CD.
2. Press the **PROG/ANGLE** button.
3. Use the **NUMBER KEYPAD** to enter in titles and chapters or tracks in the order you want them to play.
4. Highlight the on-screen **PLAY** button, and press the **ENTER** button to begin playing the programmed disc.

*To cancel the program, press the **PROGRAM** button twice.*

DVD Setup Menu

SYSTEM SETUP

- TV SYSTEM
- SCREEN SAVER
- TV TYPE
- DEFAULT

LANGUAGE SETUP

- OSD LANGUAGE
- AUDIO LANGUAGE
- SUBTITLE LANGUAGE
- MENU LANGUAGE

VIDEO SETUP

- BRIGHTNESS
- CONTRAST
- HUE
- SATURATION

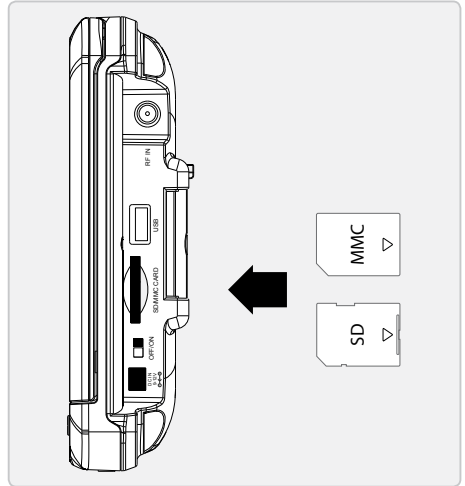
SPEAKER SETUP

- DOWNMIX

SD/MMC Memory Card Slot & USB Port

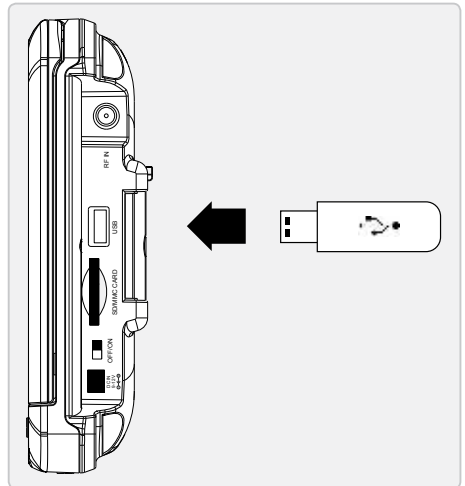
Using an SD or MMC Memory Card

1. Insert an SD or MMC memory card into the **SD/MMC MEMORY CARD SLOT** as shown to the left.
2. Adjust the **POWER SWITCH** on the TV/DVD player to the ON position.
3. Press the **SOURCE** button. Press the **DIRECTION** buttons to select DVD mode. Press the **ENTER** button.
4. Press the **DISC/USB/SD** button to select CARD mode via navigation up/down button. Press the **ENTER** button.
5. Use the **DIRECTION** and **ENTER** buttons to select and play media from the loaded SD or MMC memory card.



Using a USB Thumb Drive

1. Insert a USB thumb drive into the **USB PORT** as shown to the left.
2. Adjust the **POWER SWITCH** on the TV/DVD player to the ON position.
3. Press the **SOURCE** button. Press the **DIRECTION** buttons to select DVD mode. Press the **ENTER** button.
4. Press the **DISC/USB/SD** button to select USB mode via navigation up/down button. Press the **ENTER** button.
5. Use the **DIRECTION** and **ENTER** buttons to select and play media from the loaded USB thumb drive.



Audio/Video Input & DVD Output

Using the DVD Output

Requires an RCA audio/video cable (not included) and a 3.5mm to RCA adapter (included)

1. Connect a 3.5mm to RCA adapter to the **A/V INPUT/DVD OUTPUT**. Connect an RCA audio/video cable to the adapter and a television.
2. Adjust the **POWER SWITCH** on the TV/DVD player to the ON position.
3. Press the **SOURCE** button repeatedly to select DVD mode. Press the **ENTER** button.
4. Adjust the connected television to the correct input setting.
5. DVD's played on the TV/DVD player will now be output to the connected television.

Using the A/V Input

Requires an RCA audio/video cable (not included) and a 3.5mm to RCA adapter (included)

1. Connect a 3.5mm to RCA adapter to the **A/V INPUT/DVD OUTPUT**. Connect an RCA audio/video cable to the adapter and an audio source.
2. Adjust the **POWER SWITCH** on the TV/DVD player to the ON position.
3. Press the **SOURCE** button repeatedly to select AV IN mode. Press the **ENTER** button.
4. Audio and video played from the connected source will now play through the TV/DVD player.

Company Information

International Support

To download this User's Guide in English, Spanish, or French, visit the support section at www.gpx.com.

Para transferir esta guía de usuario en inglés, español, o francés, visite la sección de la ayuda en www.gpx.com.

Pour télécharger ce guide de l'utilisateur en anglais, espagnol, ou français, visitez la section de soutien chez www.gpx.com.

Contact Information

Phone:

1-888-999-4215

Email:

prodinfo@gpx.com

Parts Email:

partsinfo@dpi-global.com

Website:

www.gpx.com