

Vizia-RF™ Scene Capable Plug-in Appliance and Lamp Dimming Modules

The Vizia-RF Scene Capable Plug-in Appliance and Lamp Dimming Modules are part of Leviton's Vizia-RF Wireless Home Control System. These devices combine the popular Vizia family of lighting devices with Z-Wave® award-winning RF-based home control technology to deliver the first line of truly dependable, scalable and practical wireless home control devices that will set the standard for residential control system performance for decades to come.

The Vizia-RF Wireless Home Control System provides scalable, easy-to-install, retrofit ready, remote control of appliances and lighting as well as one-button scene and zone lighting control that lets you instantly create the perfect ambiance for any occasion. And, best of all, Vizia-RF does all of this without any of the interference and less-than-consistent performance of previous home control systems.



APPLICATION

The Vizia-RF Scene Capable Plug-in Appliance Module is ideal for any residential setting where remote ON/OFF switching of appliances, motor loads up to 1/2 HP, or free-standing lights, including Incandescent, Magnetic Low-Voltage, Fluorescent and Compact Fluorescent loads is needed. Typical applications include switching of fluorescent lamps, fans, kitchen appliances, holiday lighting, decorations, indoor fountains, electric tools and more. The RZP15-1LW Module also allows users to remotely turn ON/OFF free-standing lamps and incorporate them into scene and zone lighting control applications.

The Vizia-RF Scene Capable Plug-in Lamp Dimming Module is ideal for any residential setting where remote dimming of Incandescent loads up to 300W is needed. Typical applications include dimming of table lamps and standing floor lamps. The RZP03-1LW Module also allows users to remotely control free-standing lamps individually or as part of a scene or zone grouping of lights through scene commands.

LEVITON SPECIFICATION SUBMITTAL

JOB NAME: <input type="text"/>	CATALOG NUMBERS: <input type="text"/>	
JOB NUMBER: <input type="text"/>	<input type="text"/>	<input type="text"/>

FEATURES AND BENEFITS

RZP15 Vizia-RF Scene Capable Plug-in Appliance Module

- Provides 15A-120V NEMA 5-15R grounding receptacle for use with a wide variety of lamps and appliances
- Rated 1800W Incandescent, 1800VA Fluorescent, 1800W Resistive, 1800VA Inductive and 1/2 HP Motor loads @ 120V AC, 60Hz
- Provides manual and remote ON/OFF switching of plug-in loads
- Two-way communication between compatible Controller(s) and Module for changes initiated locally
- Provides ON/OFF scene and zone control compatibility
- Protected memory maintains ON/OFF status of connected loads and device ID programming during minor power fluctuations
- Green Locator LED
- Button for ON/OFF manual control
- Transient surge protection to IEC Level 4
- ESD protection to IEC 1000 4-2 Level 4 to protect against damage and memory loss due to static discharges
- Quiet relay switching
- Z-Wave® compatible

RZP03 Vizia-RF Scene Capable Plug-in Lamp Dimming Module

- Provides polarized 2-blade receptacle for use with incandescent lamps
- "Load sensing" feature allows lamp to be turned ON manually using the lamp's switch or the ON/OFF button on the RZP03
- Rated 300W Incandescent @ 120VAC 60Hz
- Provides manual and remote ON/OFF/DIM/BRIGHT control of plug-in lamps
- Two-way communication between related Controller(s) and Module for changes initiated locally
- Provides ON/OFF/DIM/BRIGHT scene and zone control capability
- Protected memory maintains ON/OFF status of connected loads and device ID programming during minor power fluctuations
- Green Locator LED
- Transient surge protection to IEC Level 4
- ESD protection to IEC 1000 4-2 Level 4 to protect against damage and memory loss due to static discharges
- Button for ON/OFF/DIM/BRIGHT manual control. Long touch for DIM and BRIGHT
- Z-Wave® compatible

SPECIFICATIONS

RZP15 Load Rating at 120VAC 60Hz:

Load Type	Max Load	Current
Resistive	1800W	15A
Incandescent	1800W	15A
Fluorescent	1800VA	15A
Inductive	1800VA	15A
Motor	1/2 Hp	9.8A

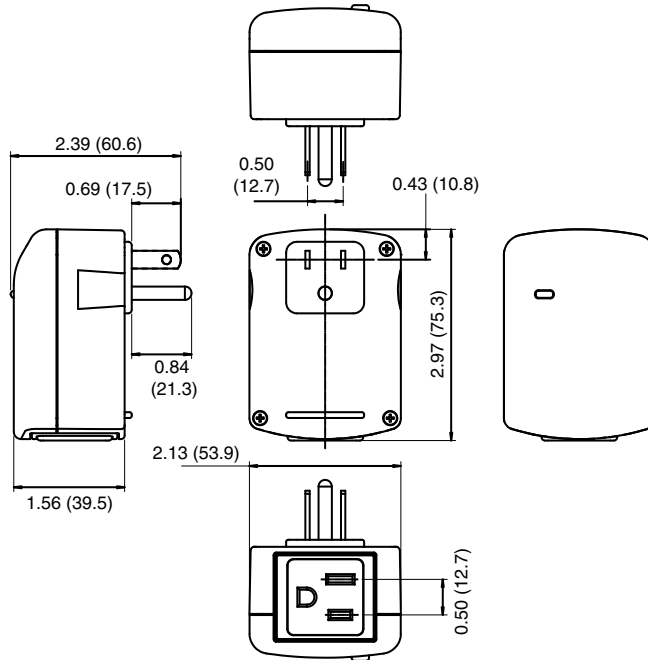
RZP03 Load Rating at 120VAC 60Hz:

Load Type	Max Load	Current
Incandescent	300W	2.5A

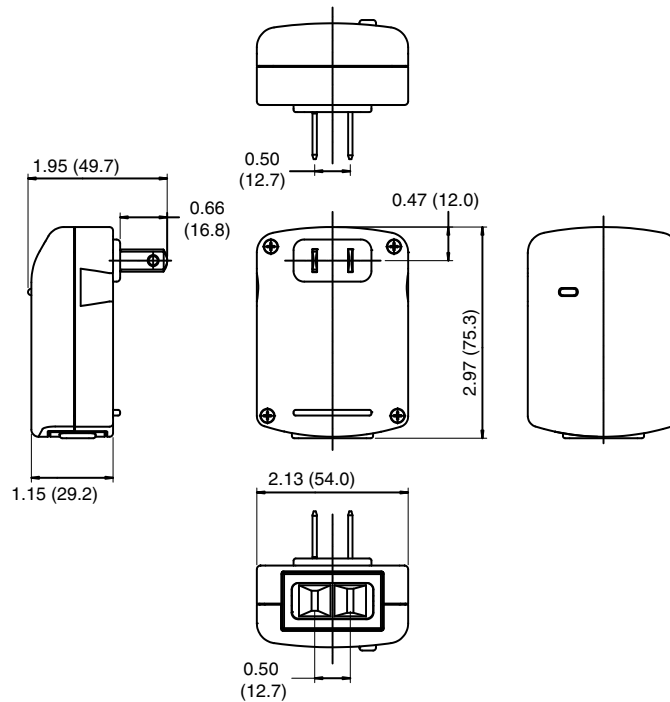
Product Specifications

RZP15, RZP03

DIMENSIONAL DRAWINGS



Cat. No. RZP15 Appliance Module



Cat. No. RZP03 Lamp Module

Leviton Mfg. Co., Inc.
59-25 Little Neck Pkwy • Little Neck, NY 11362-2591
Phone: 1-800-323-8920 • Tech Line: 1-800-824-3005 • Fax: 1-800-832-9538

Visit our Website at: www.leviton.com or www.viziarf.com



Product Specifications

Vizia-RF Scene Capable Plug-in Modules

.....

AGENCY STANDARDS & COMPLIANCE

UL Listed (File #E66800)
CSA Certified (File #152105)
NOM Certified (#057)
Complies with FCC Part 15, Class B
Z-Wave Certified

INSTALLATION CONSIDERATIONS

A Z-Wave enabled device must be within 75 feet of another Z-Wave enabled device to participate in a Z-Wave wireless mesh network. Any one plug-in can update no more than five Controller devices.

WARRANTY INFORMATION

Five-Year Limited Warranty

ORDERING INFORMATION

Vizia-RF Scene Capable Plug-In Modules

Description	Cat. No.
Vizia-RF Scene Capable Plug-In Appliance Module - White Only	RZP15-1LW
Vizia-RF Scene Capable Plug-In Lamp Dimming Module - White Only	RZP03-1LW

Leviton Manufacturing Co., Inc.

59-25 Little Neck Parkway, Little Neck NY 11362-2591
Customer Service: 1-800-323-8920 • FAX: 1-800-832-9538 Tech Line: 1-800-824-3005

Leviton Manufacturing of Canada, Ltd.

165 Hymus Boulevard, Pointe Claire, Quebec H9R 1E9 Customer Service: 1-800-469-7890 • FAX: 1-800-563-1853

Leviton S. de R.L. de C.V.

Lago Tana 43 Mexico DF, Mexico CP 11290 Tel. (+52) 55-5082-1040 www.leviton.com.mx

Vizia and Vizia-RF are trademarks of Leviton Manufacturing Co., Inc.
Z-Wave is a registered trademark of the Zensys® Corporation

Note: Features and specifications subject to change
Patents Pending ©2006 Leviton Manufacturing Co., Inc. All rights reserved.

