

NEW Bush Hog® TOUGH 2715Legend Flex Wing Cutter



Bush Hog TOUGH Just Got Tougher

The Bush Hog TOUGH 2715Legend sets a new standard for flex wing cutter performance the first day on the job and for years to come. It's authentic Bush Hog. With 10 Bush Hog TOUGH features.



BUSH HOG®
Performance You Can Count OnSM

BUSH HOG... Choose The Original.

Get everything that made Bush Hog flex wing cutters famous and a whole lot more

Bush Hog is the original. Bush Hog is the number one rotary cutter manufacturer. Bush Hog flex wings have been the best selling rotary cutters for more than 30 years. They mow more acres than any other rotary cutter brand. They are a legend in the industry. They set the standard for rotary cutters. Now the Bush Hog 2715Legend sets a new standard for flex wing cutters and for all rotary cutters. Now the TOUGH are TOUGHER.



NEW Bush Hog® TOUGH
2715Legend
Flex Wing Cutter

10 Bush Hog TOUGH Features

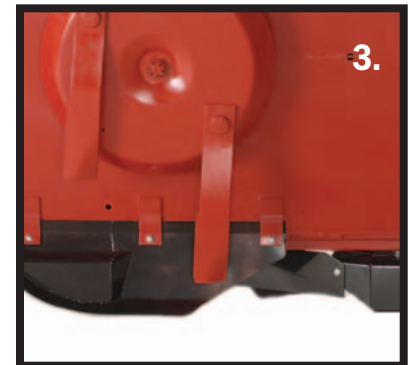
1. TOUGH EZ Clean Double Deck sheds water and debris — decks total over 1/4-inch thick steel and are tied directly to strong backs. They are curved to shed water and debris and have drain holes for condensation.



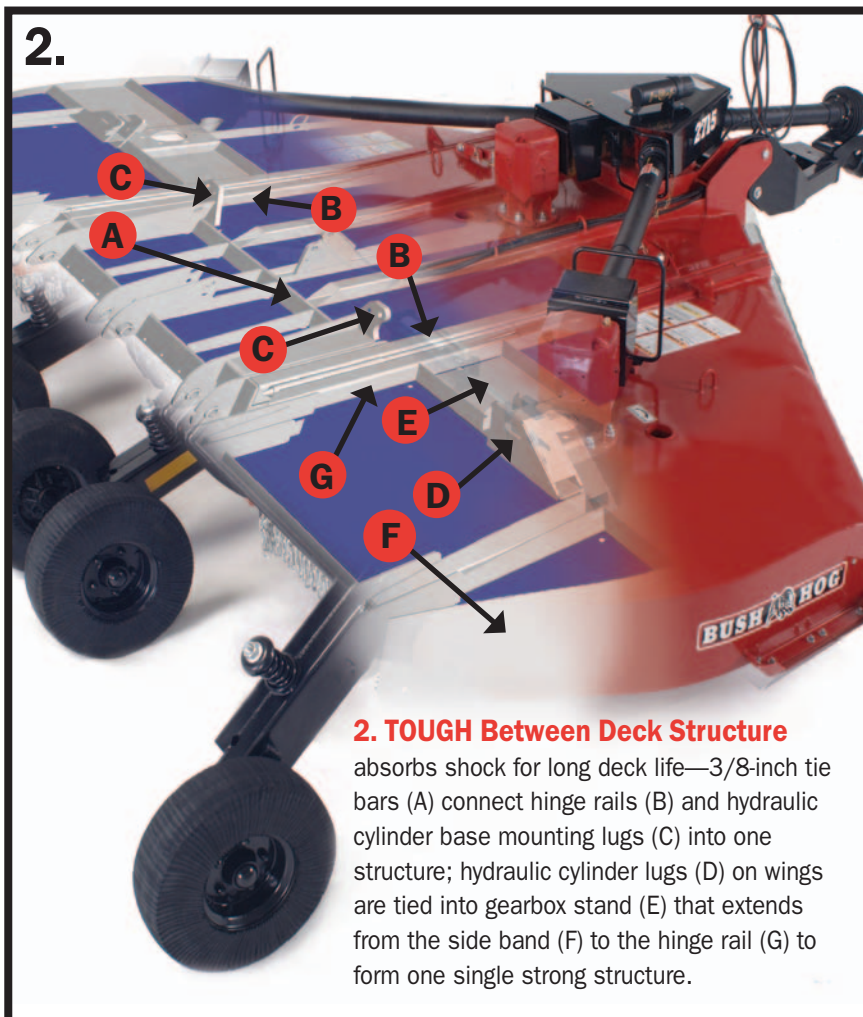
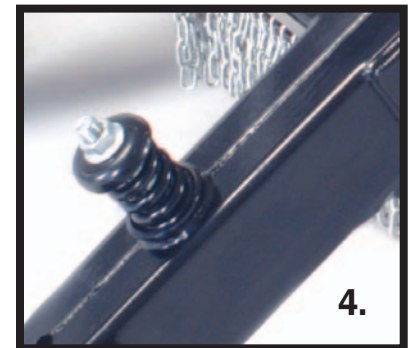
2. TOUGH Between Deck Structure absorbs shock for long deck life—3/8-inch tie bars connect hinge rails and hydraulic cylinder base mounting lugs into one structure. Hydraulic cylinder lugs on wings are tied into gearbox stand that extends from the side band to the hinge rail to form one single strong structure.

3. TOUGH Distribution Baffles keep debris in each cutting circle to prevent windrows. Baffles are constructed of 7-gauge steel and attached with bolts for quick removal.

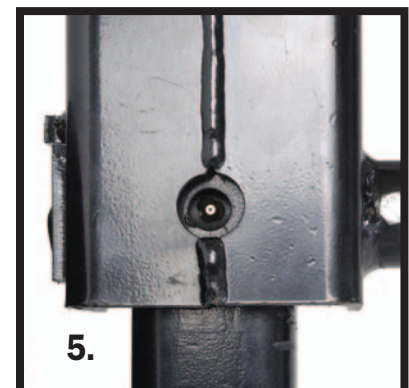
4. TOUGH Spring Steel Cushions absorb shock loads. Cushions are strategically located at the axle where shock loads occur.



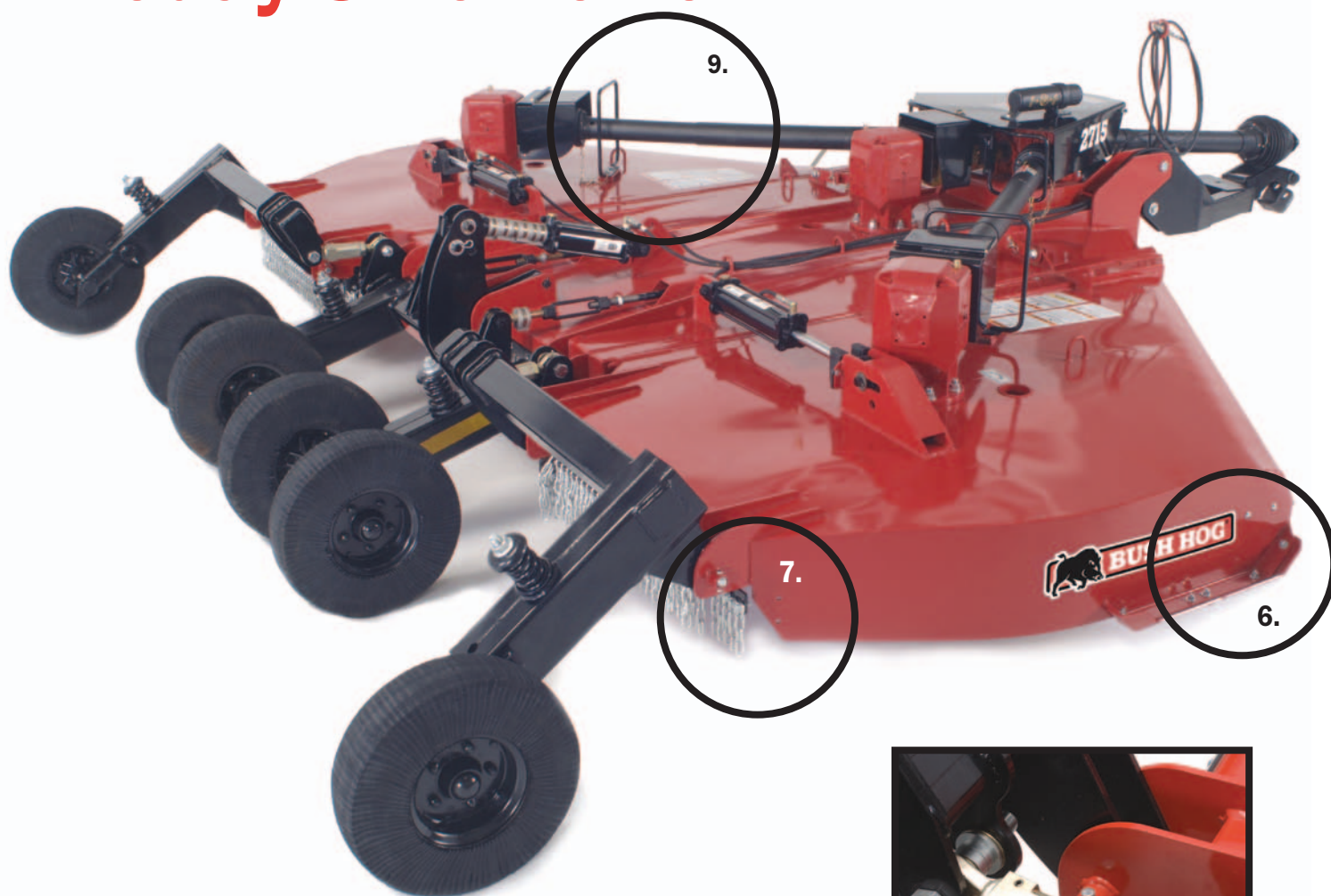
5. TOUGH Axles that can take bruising punishment. Axles are equipped with easy-to-reach grease fittings and use strong retaining bolt through the pivot pin.



2. TOUGH Between Deck Structure absorbs shock for long deck life—3/8-inch tie bars (A) connect hinge rails (B) and hydraulic cylinder base mounting lugs (C) into one structure; hydraulic cylinder lugs (D) on wings are tied into gearbox stand (E) that extends from the side band (F) to the hinge rail (G) to form one single strong structure.



Mean Better Performance Today & Tomorrow



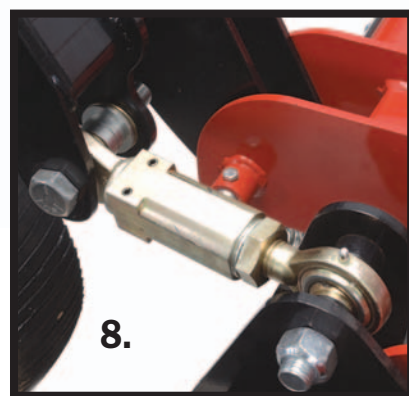
6. TOUGH Wing Skids that last. Skids are built of 7-gauge steel, mounted on the outside of wings and turned up at 45 degree angle to reduce dig in on turns.

7. TOUGH Pivot Points are built to stand up to constant heavy loads. Pivot points are easy to grease from the top, made of hardened steel, use replaceable bushings, feature Grade 5 steel pins, use 3/8-inch steel gussets.

8. TOUGH Long-Lasting Turnbuckles make adjustments easy now and for years to come. Turnbuckles are easy to reach for leveling adjustments and easy to grease for long life and easy turning.

9. TOUGH Drivelines are built to last. Rugged driveline is designed for easy maintenance. Rear and front grease fitting align so they are easy and quick to service.

10. TOUGH Perma-Level® Hitch remains level on tractor drawbar. Bolt retainer adds additional strength to pivot pin.



NEW Bush Hog® TOUGH 2715 Flex Wing Cutter

2715 Flexwing Cutter

Cutting Width	15 ft.
PTO	540 or 1000 RPM
Hitch	Perma-Level Hitch or 2-inch ball
Minimum tractor requirement	60 HP
Side Band	1/4-inch x 12 1/2-inch
Blade Holder	Round
Blades	1/2-inch x 4-inch
Blade Overlap	6-inch
PTO Drivelines	540 PTO, ASAE Cat. 5 C.V. or Cardan/jackshaft 1000 PTO, ASAE Cat. 4, 1 3/8 or 1 3/4 CV or Cardan/jackshaft
Wing Drivelines	ASAE cat 4 with slipclutch
Wing Flex	90° up to 22° down
Splitter Gearbox	235 HP
Center And Wing Gearbox	205 HP
Jack Stand	Built into tongue
Blade Tip Speed	16,000 ft/min
Cutting Capacity	3 1/2-inch diameter
Cutting Height	2-inch to 14-inch
Top Deck	11 gauge
Bottom Deck	10 gauge
Axle Tube Pivots	Greasable bushings
Axle Arm Pivots	Greasable
Wing Adjustment	Greasable turnbuckles
Grass Baffles	Standard
Hydraulic Height Control	Standard
Safety Tow Chain	Standard
Deck Rings	Optional

Warranty

- 1-year unit structure limited warranty
- 6-year gearbox limited warranty

Authentic Bush Hog® Bush Hog brand rotary cutters are famous for their durability. They deliver quality performance the first day on the job and for years into the future. All Bush Hog brand products deliver durability that means long-term performance. Be sure you buy authentic Bush Hog. Look for the charging hog and the brand name Bush Hog.



www.bushhog.com

Bush Hog®, L.L.C.
P.O. Box 1039 Selma, AL 36702-1039
(334) 874-2700

©November 2006 Bush Hog, LLC