

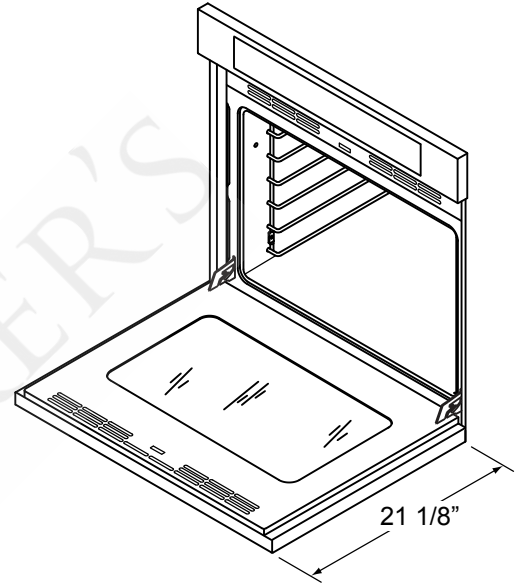
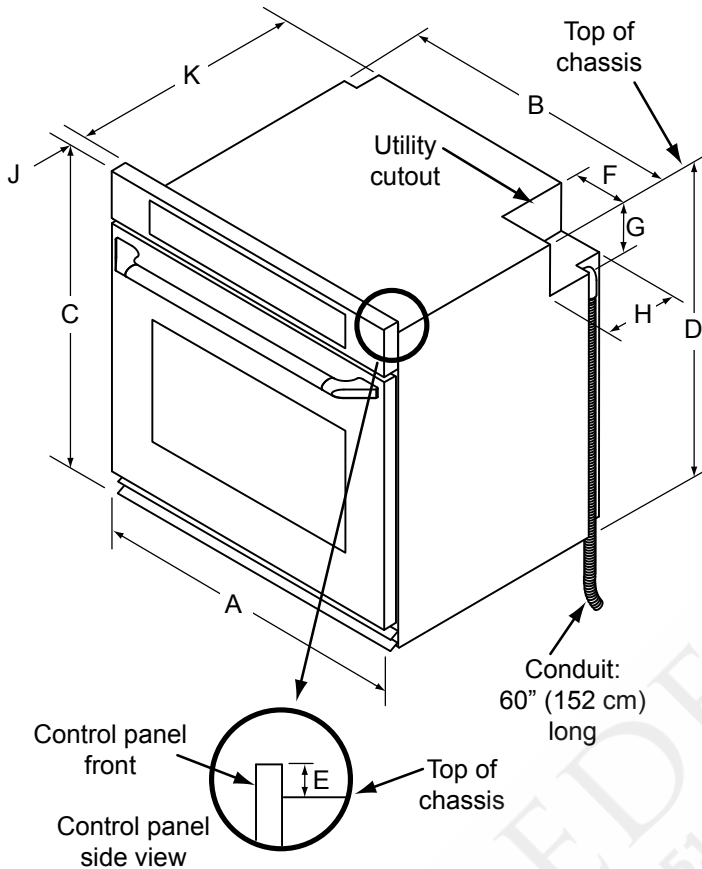
RO130, ROV130



Renaissance® 30" Wide, Single Wall Oven

PLANNING GUIDE

Product tolerances: ±1/16" (±1.6 mm) unless otherwise stated



⚠ WARNING

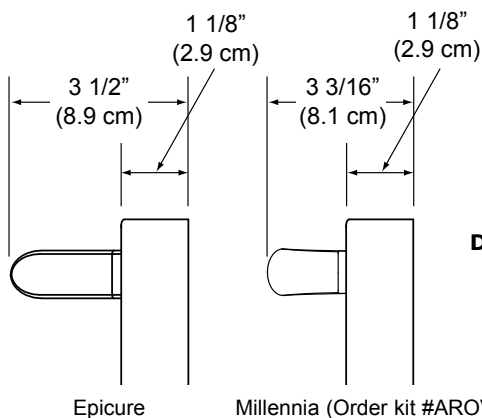
- Observe all governing codes and ordinances during planning and installation. Contact your local building department for further information.
- This appliance must be installed in accordance with the accompanying installation instructions.

(A) Overall Width	(B) Chassis Width	(C) Overall Height	(D) Chassis Height	(E) Control Panel Overlay
29 7/8" (75.9 cm)	28 3/8" (72.1 cm)	28 5/8" (70.2 cm)	26 5/8" (67.6 cm)	1" (2.5 cm)

ELECTRICAL SPECIFICATIONS	
Dedicated Circuit Requirements	Total Connected Load
240 Vac 60 Hz., 4-wire,* 30 Amp.	See product data label

(F) Utility Cutout Width	(G) Utility Cutout Height	(H) Utility Cutout Depth	(J) Control Panel Depth	(K) Chassis Depth
6 1/4" (15.9 cm)	4 3/4" (12.1 cm)	7 3/4" (19.7 cm)	1 3/16" (3.0 cm)	23 5/8" (60.0 cm)

* Two 120 Vac hot (L1 and L2), one neutral, one ground. Fuse/circuit breaker on both L1 and L2.



HANDLE DIMENSIONS

Epicure

Millennia (Order kit #AROVH30S)



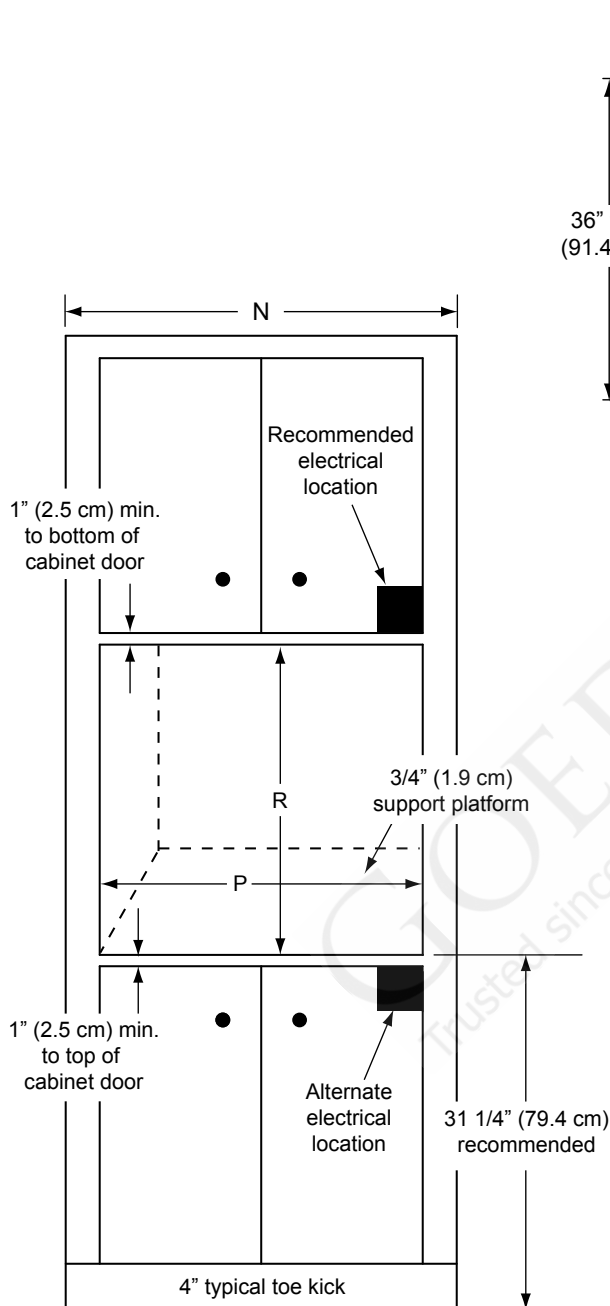
RO130, ROV130



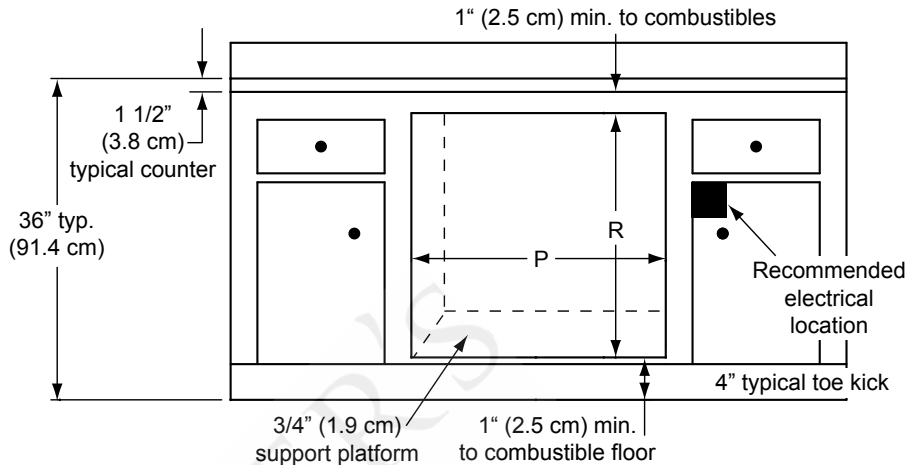
Renaissance 30" Wide, Single Wall Oven

PLANNING GUIDE

Cabinet tolerances: +1/16" (+1.6 mm) -0, unless otherwise stated



SINGLE WALL OVEN - CUTOUT DIMENSIONS



SINGLE WALL OVEN - INSTALLED UNDER COUNTER

Minimum interior cabinet depth: 24" (61.0 cm)

(N) Minimum Cabinet Width	(P) Minimum Cut Out Width	(R) Minimum Cutout Height
30" (76.2 cm)	28 1/2" (72.4 cm)	26 7/8" (68.3 cm)