

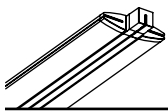
Ordering Information

F76	2	3		1	5		
Style F76 = Rectangle	Lamps 2 = Lamps	Length 3 = 3 Foot	Wattage 7 = 39W 8 = 39W Dimming	Voltage 1 = 120V	Type 5 = Lens	Color AL = Aluminum WH = White	Mounting F = Floor Stand P = Panel Bolt-on E = Expandable Bracket B = Binder Bin
Example = F7623715ALF							

Features

- Housing end:** Die-cast aluminum, welded to the housing.
- Finish:** Powder coat baked enamel. Standard colors: white or aluminum.
- Shielding:** Extruded opal lens.
- Lamp:** 2x39 watt T5HO lamps (included).
- Ballast:** Electronic and meets ANSI starting, end of life protection, THD and sound rating specifications.
- Switching:** On/off switch on stem. Optional cord switch available.
- Wiring:** 3-wire cord with grounded low profile plug. Minimum length 9 feet.
- Listing:** UL/cUL listed.

Job Information	Type:
Job Name:	
Cat. No.:	
Lamp(s):	
Notes:	



Candlepower Curve

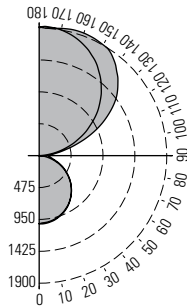
Report No:
ITL54683.IES.MOD

Catalog No:
F7623715xxx

Lamps:
2-F39T5/HO

Lumens:
3500 each

Efficiency:
95.7%

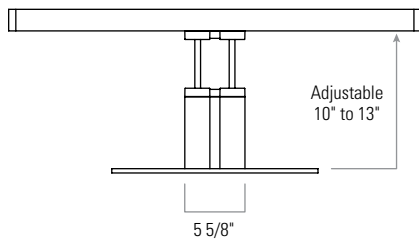


Coefficients of Utilization

	% Effective Ceiling Cavity Reflectance			% Wall Reflectance		
	80	70	50	50	30	10
0	50	30	10	50	30	10
1	81	81	81	73	73	73
2	70	67	64	63	60	58
3	61	56	52	55	51	47
4	53	48	43	48	43	39
5	47	41	36	43	37	33
6	42	36	31	38	32	28
7	37	31	27	34	28	24
8	34	28	23	30	25	21
9	30	24	20	28	22	19
10	28	22	18	25	20	17
10	25	20	16	23	18	15

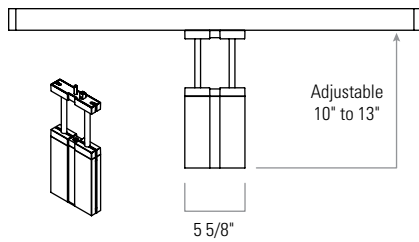
Text Here

Zone	Zonal Lumens	Zonal Lumen Summary % Barelamp	% Luminaire
0-90	2100	30.0	31.4
90-180	4597	65.7	68.6
0-180	6697	95.7	100.0



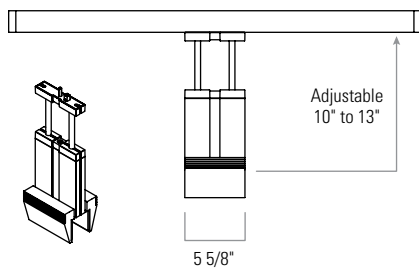
Binder Bin Mount Weighted Base

Weighted base allows fixture to sit atop shelves or overhead cabinets. Not recommended for use in seismic areas.



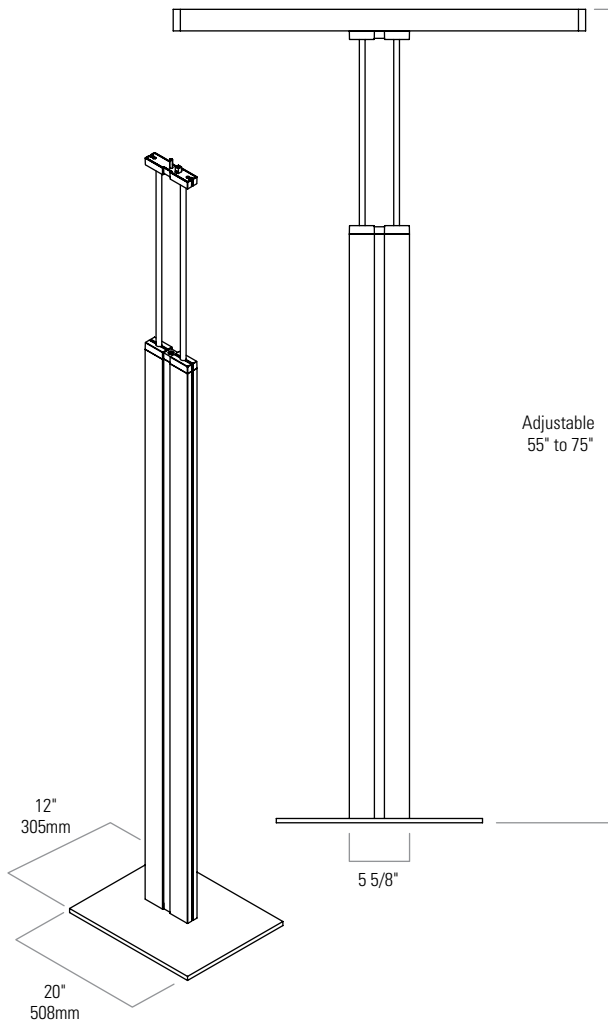
Panel Mount (Bolt-On)

Bolts to the top of furniture systems or short walls. A small steel bracket is bolted through the top cap. The stem assembly slides onto this bracket and is held in place with hidden set screws.



Expandable Bracket

This adjustable bracket clamps onto furniture systems ranging from 2" to 4" thick.



Floor Stand

Job Information Type:

Lightolier a Genlyte company www.lightolier.com
631 Airport Road, Fall River, MA 02720 • (508) 679-8131 • Fax (508) 674-4710
We reserve the right to change details of design, materials and finish.
© 2007 Genlyte Group LLC • A0107