



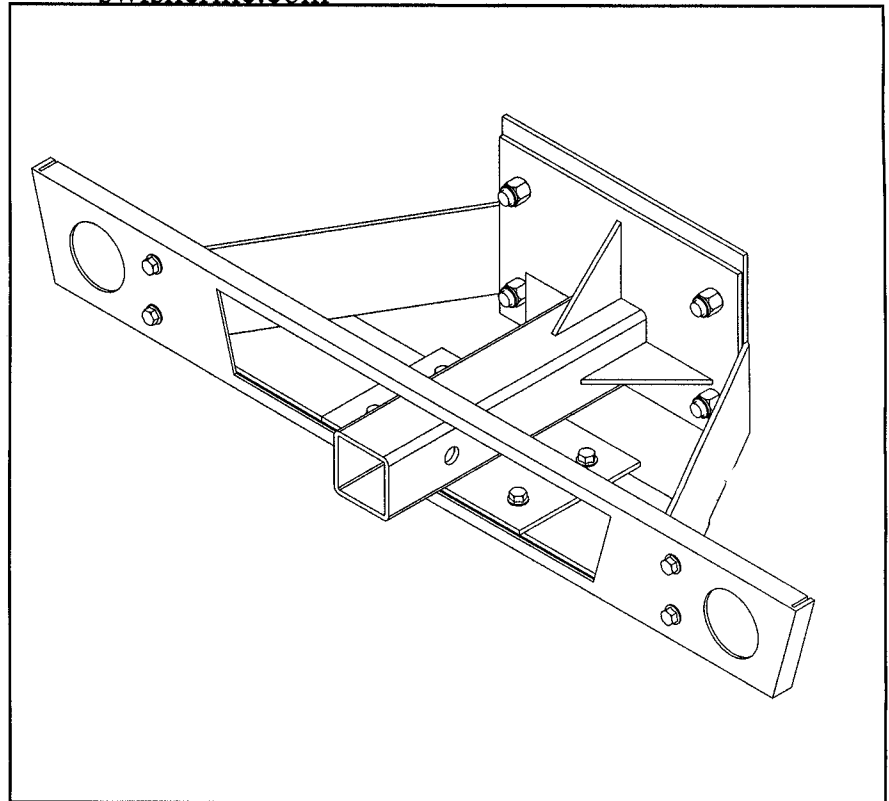
INSTRUCTION SHEET

MODEL NO.
12268



IMPORTANT
Read and follow all
Safety Precautions
and Instructions
before operating this
equipment.

Rev 06-006



RECEIVER HITCH

SnapporPro Turf/Trall Cruiser UTV

Installation
Replacement Parts

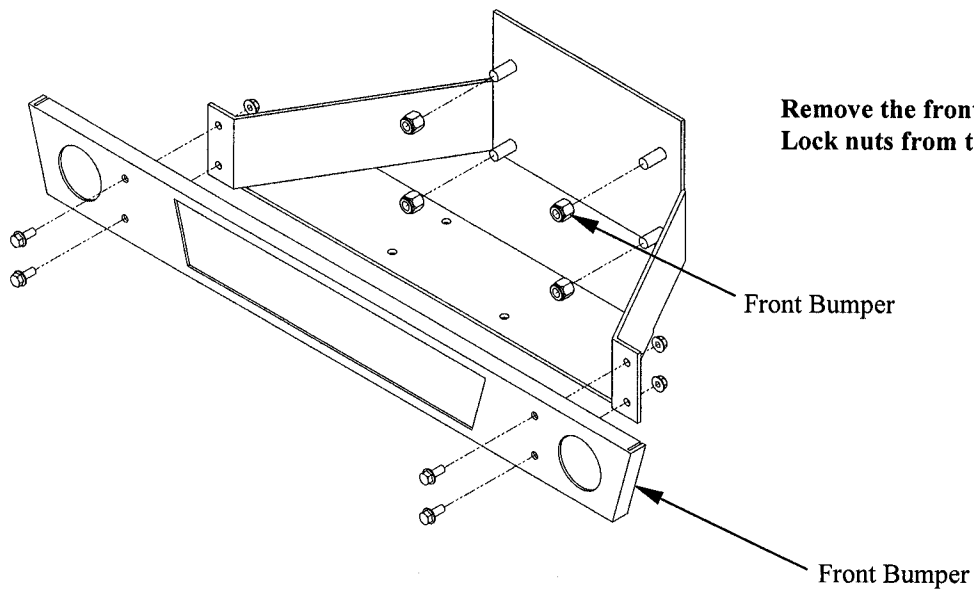


1602 CORPORATE DRIVE, P.O. BOX 67, WARRENSBURG, MISSOURI 64093
PHONE 660-747-8183 FAX 660-747-8650

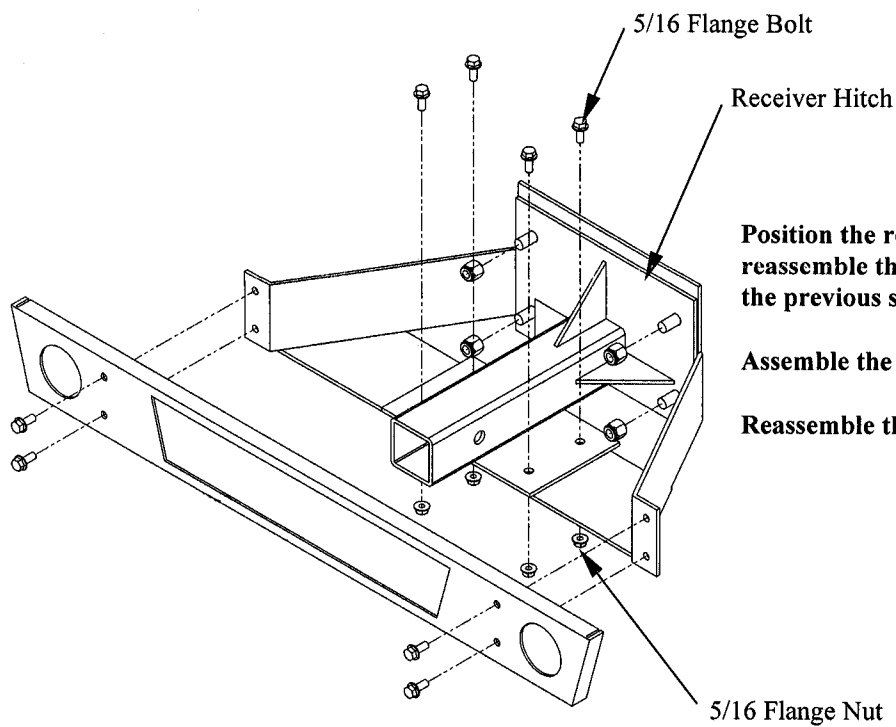
Manufacturing quality lawn care equipment since 1945

Made In The

USA



Remove the front bumper and (4) 1/2" Lock nuts from the front of the UTV.



Position the receiver hitch as shown and reassemble the (4) 1/2" lock nuts removed in the previous step.

Assemble the (4) 5/16 Flange bolts and nuts.

Reassemble the bumper to the front of the UTV.

QTY.	PART NO.	DESCRIPTION
1	12269TK	SNAPPER RECEIVER WELDMENT
4	NB596	5/16-18 x 3/4 SERRATED FLANGE BOLT
4	NB170	5/16-18 SERR FLANGE NUT