

# Electronic 790 Quantum Refrigerator / Freezer

**Models**  
E521TL E521TR  
E522BL E522BR

**Series**  
C





## PRODUCTS

**Brand** Fisher & Paykel

**Voltage** 220-240V 50Hz, 220V 60Hz\*, 110-115V 60Hz+

Model	Code									
E521TL	C	12328	12338	12430	20070	20084	20086	20091	20136	
E521TR	C	12327	12337	12349	12357*	12365	12380+	12441*	20066	20083
		20085	20087*	20088	20089	20090	20092+	20135		
E522BL	C	12330	12336	12414	20069					
E522BR	C	12329	12335	12350	12358*	12366	12379+	12442*	20065	

Fisher & Paykel Customer Services  
 PO Box 798  
 19 Enterprise St  
 Cleveland, Queensland 4163  
 Australia  
 Tel: (07) 3826 9122  
 Fax: (07) 3826 9164  
 Email: parts@fp.com.au  
 A.C.N 003 335 171

Fisher & Paykel Appliances Ltd  
 Appliance Spare Parts  
 PO Box 14-148, Panmure.  
 80 Springs Rd, East Tamaki  
 New Zealand  
 Tel: (09) 272 0261  
 Fax: (09) 272 0219  
 Email: parts@fp.co.nz

Fisher & Paykel Appliances Ltd U.K  
 Broxell Close,  
 Wedgnoek Industrial Estate  
 Warwick CV34 5QF  
 England  
 Tel: 01926 626700  
 Fax: 01926 626701



## CONTENTS

DOOR ASSEMBLIES TOP FREEZER .....	6
DOOR ASSEMBLIES BOTTOM FREEZER .....	10
CABINET TOP FREEZER.....	14
CABINET BOTTOM FREEZER .....	18
FAN, COVERS AND EVAPORATOR ASSEMBLIES .....	22
FAN, COVERS AND EVAPORATOR, - TWIN PC RETURN AIR DUCT SYSTEM .....	26
ELECTRONIC MODULE AND DUCT COVERS.....	28
ACTV SMART ST4 TERMINALS PLUGS & SOCKETS .....	30
COMPRESSOR AND POWER MODULE.....	32
NOTES .....	37
REFRIGERATION ABBREVIATION KEY .....	39

### GUIDE TO USING THIS MANUAL

The model(s) and/or series covered by this manual are listed on the front cover.

The information detailed in this manual is subject to change without notice, the latest version is indicated by the reprint date and replaces any earlier editions.

The front cover picture shows the type of product and may not necessarily be an exact image of the models covered by the manual.

#### Part References

Where a Model is shown, the part is exclusive to the Model(s) stated. Common parts relating to a part reference are applicable to all other Model(s) which use the particular item.

#### Kit Parts

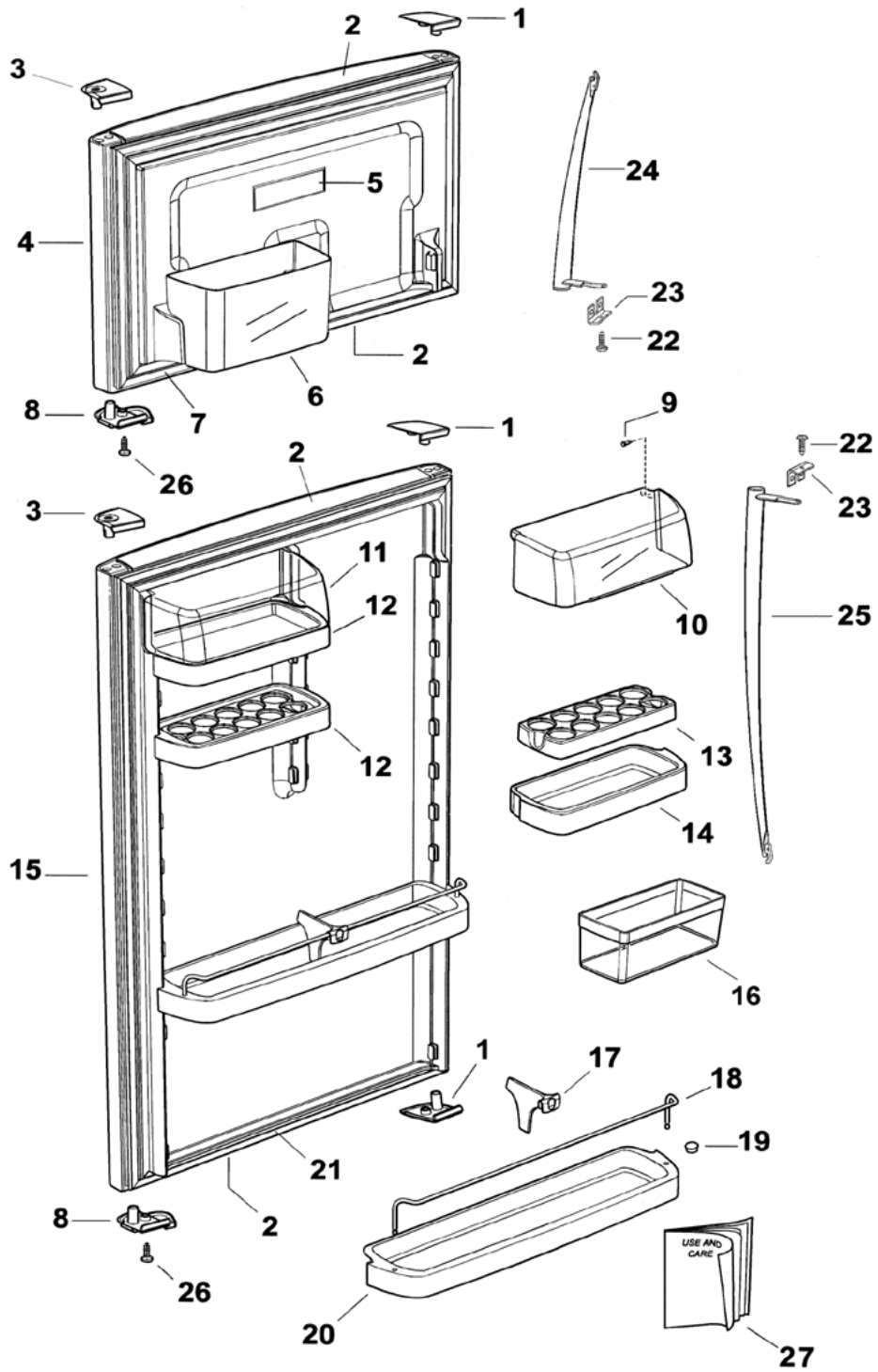
The components shown in *italics* are those parts in the kit which are available also as separate items. In addition, some parts may be supplied with this kit which are not available as separate items and are therefore not listed in this manual.

All details relating to Technical Bulletins or Notes are shown on a dedicated page. The Technical Bulletin Number shown relates to the bulletin version which is produced for New Zealand Service Centres.

#### Parts List Key

NOT USED	As a part, indicates the diagram part reference is not used in this manual.
#	Beside the part number, indicates the part is no longer available.
<i>italics</i>	Kit components shown in <i>italics</i> are also available separately.
*	Indicates a technical bulletin or note exists for the part or part reference.
NI	As a part reference, indicates the part is not illustrated on the diagram.

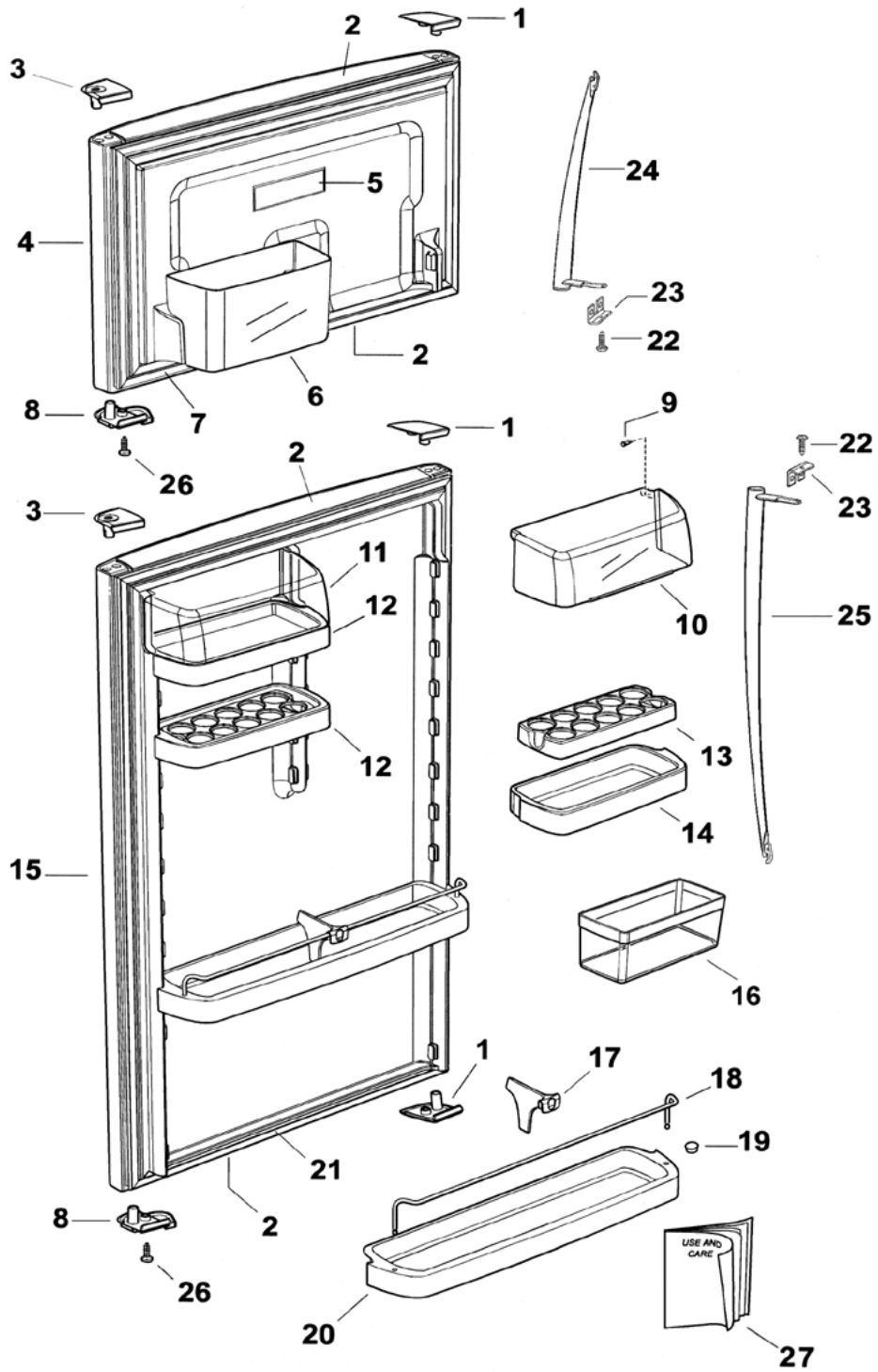
# DOOR ASSEMBLIES TOP FREEZER



**DOOR ASSEMBLIES TOP FREEZER**

<b>REF</b>	<b>PART</b>	<b>DESCRIPTION</b>	<b>MODEL</b>
1	881350	COVER ENDCAP RHT LHB CH 680/790	
	881351	COVER ENDCAP LHT RHB CH 680/790	
2	883678	CAP DOOR END OUTER CH 790	
3	883668	BEARING HINGE RH CH LIP 680/790	
	883669	BEARING HINGE LH CH LIP 680/790	
4	320505P	DOOR FC SS790X 443RH BS E521T	
	883678	<i>CAP DOOR END OUTER CH 790</i>	
	883315	<i>MAGNET DOOR SW 20X25X5MM</i>	
	320506P	DOOR FC SS790X 443LH BS E521T	
	883678	<i>CAP DOOR END OUTER CH 790</i>	
	883315	<i>MAGNET DOOR SW 20X25X5MM</i>	
5	874706	LABEL FREEZER GUIDE BLU 55X150	
6	882378	BIN FC 790 T MODEL	
7	883738P	GASKET FC CLGY E521T PUSHIN 775X413	
8	881463	BEARING DR CLOSE RH CH 680/790	
	881464	BEARING DR CLOSE LH CH 680/790	
9	871123	PLUG/PIN HINGE DAIRY COVER	
10	882141	COVER DOOR SHELF RH 790	
11	882140	COVER DOOR SHELF LH 790	
12	882145	SHELF DOOR SML LH 790	
13	882323	SHELF EGG RACK	
14	882146	SHELF DOOR SML RH 790	
15	* 315104P	DOOR PC SS790X1200RH BS E521T	
	883678	<i>CAP DOOR END OUTER CH 790</i>	
	883315	<i>MAGNET DOOR SW 20X25X5MM</i>	
	* 315105P	DOOR PC SS790X1200LH BS E521T	
	883678	<i>CAP DOOR END OUTER CH 790</i>	
	883315	<i>MAGNET DOOR SW 20X25X5MM</i>	
16	871129	BIN EGG/ICE	
17	883121	DIVIDERBOTTLE RAIL WHITE	
18	881357	RAIL BOTTLE SUPPORT SATIN 790	
19	876281	PLUG DOOR SHELF WHITE	
20	882100	SHELF DOOR LARGE 790	
21	883737P	GASKET PC CLGY E521T PUSHIN 775X1163	

# DOOR ASSEMBLIES TOP FREEZER

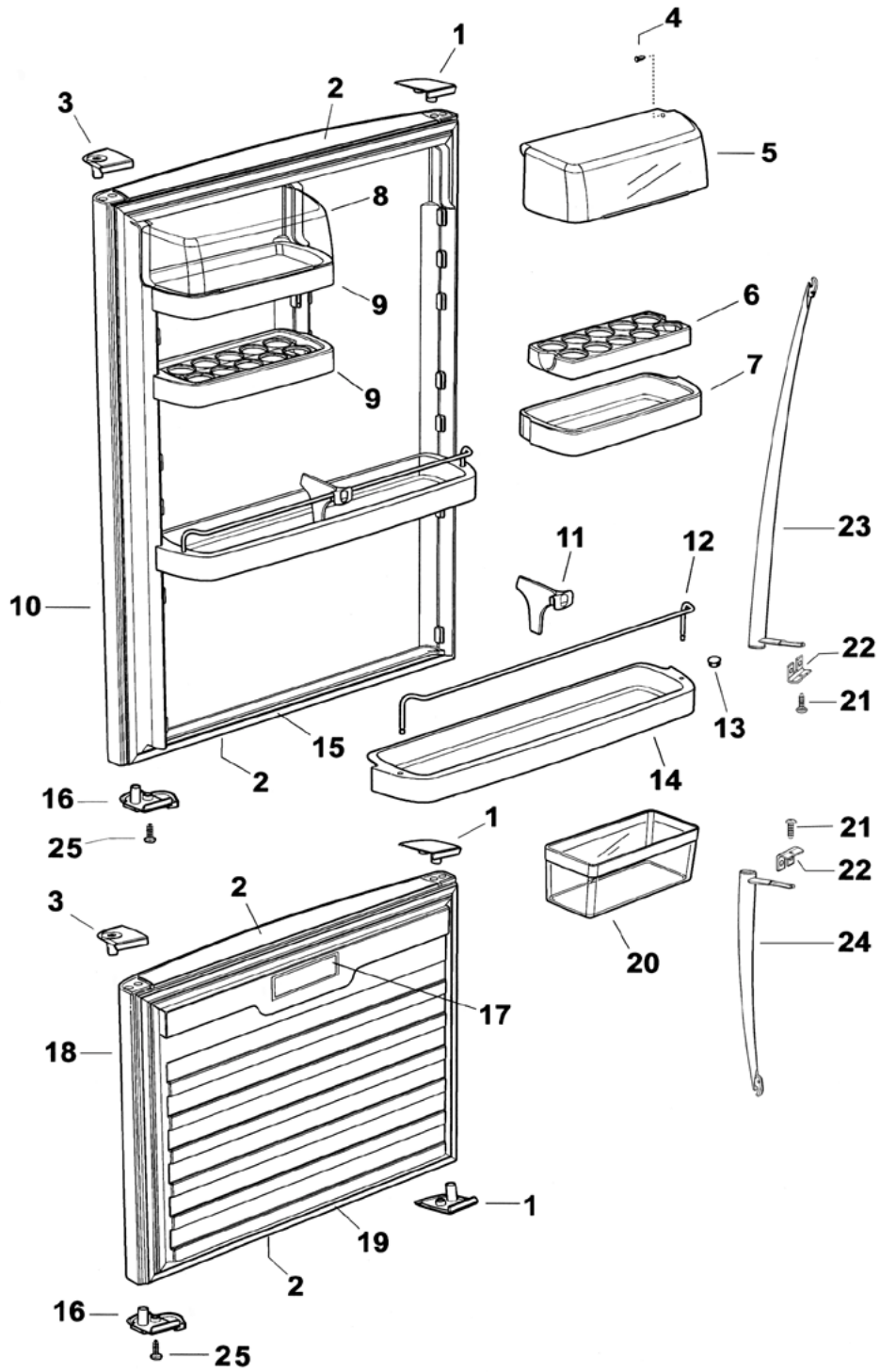




**DOOR ASSEMBLIES TOP FREEZER**

<b>REF</b>	<b>PART</b>	<b>DESCRIPTION</b>	<b>MODEL</b>
22	881044	SCREW 8X22 WAFER PHIL STZP	
23	881391	PLATE HANDLE SUPPORT PLATED	
24	878985	HANDLE DR SS SHORT	
25	878984	HANDLE DR SS LONG	
26	881160	SCREW 8X3/4 PAN PH ST ZP	
27	883852	BOOKLET USE & CARE QUANTUM	
NI	882163	LEAFLET UK PLUG REPLACEMENT	
	883299	LEAFLET WARRANTY Q NZ	
	883300	LEAFLET WARRANTY QUANTUM AUST	

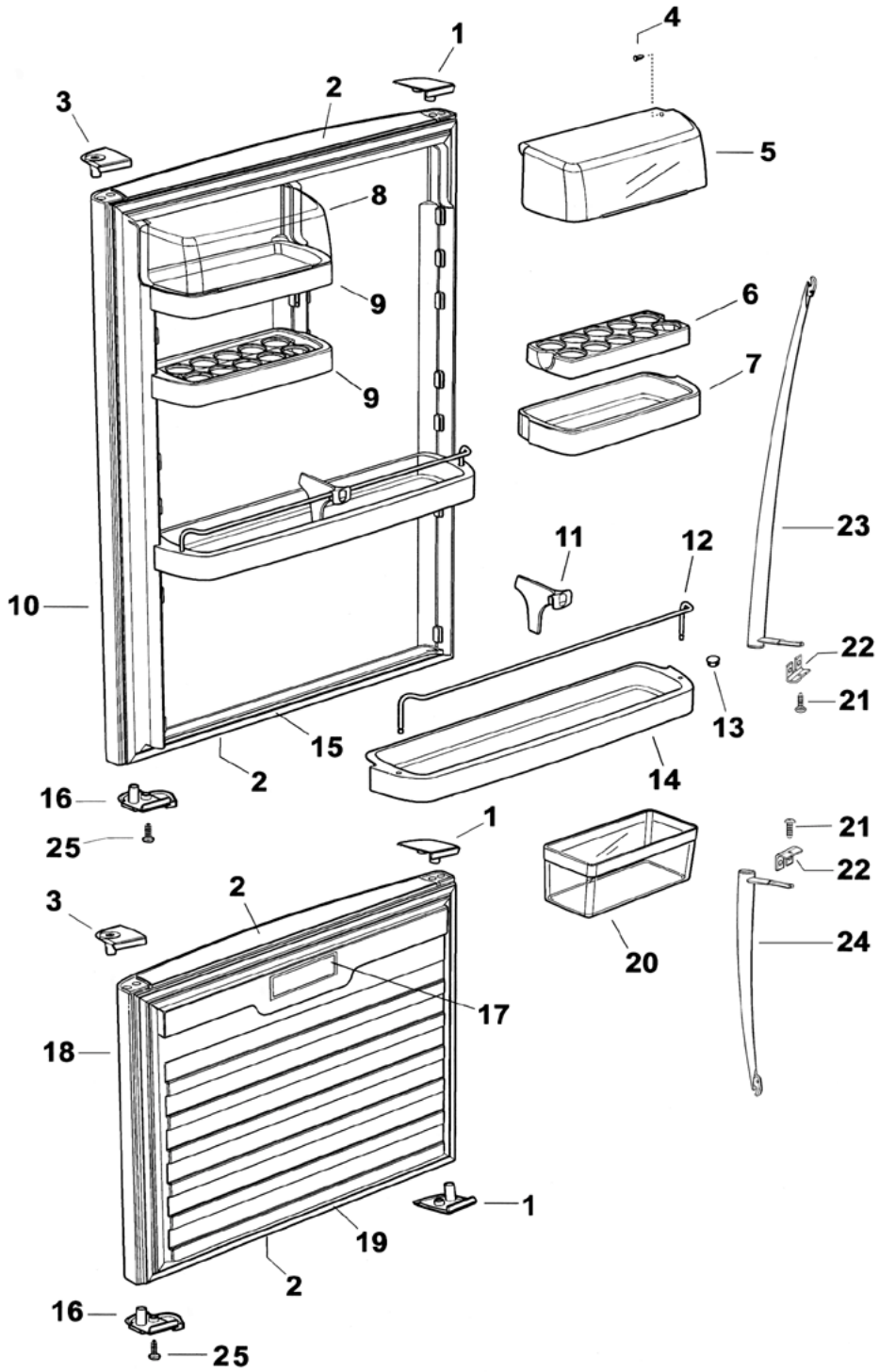
### DOOR ASSEMBLIES BOTTOM FREEZER



**DOOR ASSEMBLIES BOTTOM FREEZER**

<b>REF</b>	<b>PART</b>	<b>DESCRIPTION</b>	<b>MODEL</b>
1	881350	COVER ENDCAP RHT LHB CH 680/790	
	881351	COVER ENDCAP LHT RHB CH 680/790	
2	883678	CAP DOOR END OUTER CH 790	
3	883668	BEARING HINGE RH CH LIP 680/790	
	883669	BEARING HINGE LH CH LIP 680/790	
4	871123	PLUG/PIN HINGE DAIRY COVER	
5	882141	COVER DOOR SHELF RH 790	
6	882323	SHELF EGG RACK	
7	882146	SHELF DOOR SML RH 790	
8	882140	COVER DOOR SHELF LH 790	
9	882145	SHELF DOOR SML LH 790	
10	320503P	DOOR PC SS790X1030RH BS E522B	
		<i>883678 CAP DOOR END OUTER CH 790</i>	
		<i>883315 MAGNET DOOR SW 20X25X5MM</i>	
	320504P	DOOR PC SS790X1030LH BS E522B	
		<i>883678 CAP DOOR END OUTER CH 790</i>	
		<i>883315 MAGNET DOOR SW 20X25X5MM</i>	
11	883121	DIVIDER BOTTLE RAIL WHITE	
12	881357	RAIL BOTTLE SUPPORT SATIN 790	
13	876281	PLUG DOOR SHELF WHITE	
14	882100	SHELF DOOR LARGE 790	
15	883741P	GASKET PC CLGY E522B PUSHIN 775X990	
16	881463	BEARING DR CLOSE RH CH 680/790	
	881464	BEARING DR CLOSE LH CH 680/790	
17	874706	LABEL FREEZER GUIDE BLU 50X150	
18	* 315108P	DOOR FC SS790X 613RH BS E522B	
		<i>883678 CAP DOOR END OUTER CH 790</i>	
		<i>883315 MAGNET DOOR SW 20X25X5MM</i>	
	* 315109P	DOOR FC SS790X 613LH BS E522B	
		<i>883678 CAP DOOR END OUTER CH 790</i>	
		<i>883315 MAGNET DOOR SW 20X25X5MM</i>	
19	883742P	GASKET FC CLGY E522B PUSHIN 775X573	
20	871129	BIN EGG/ICE	

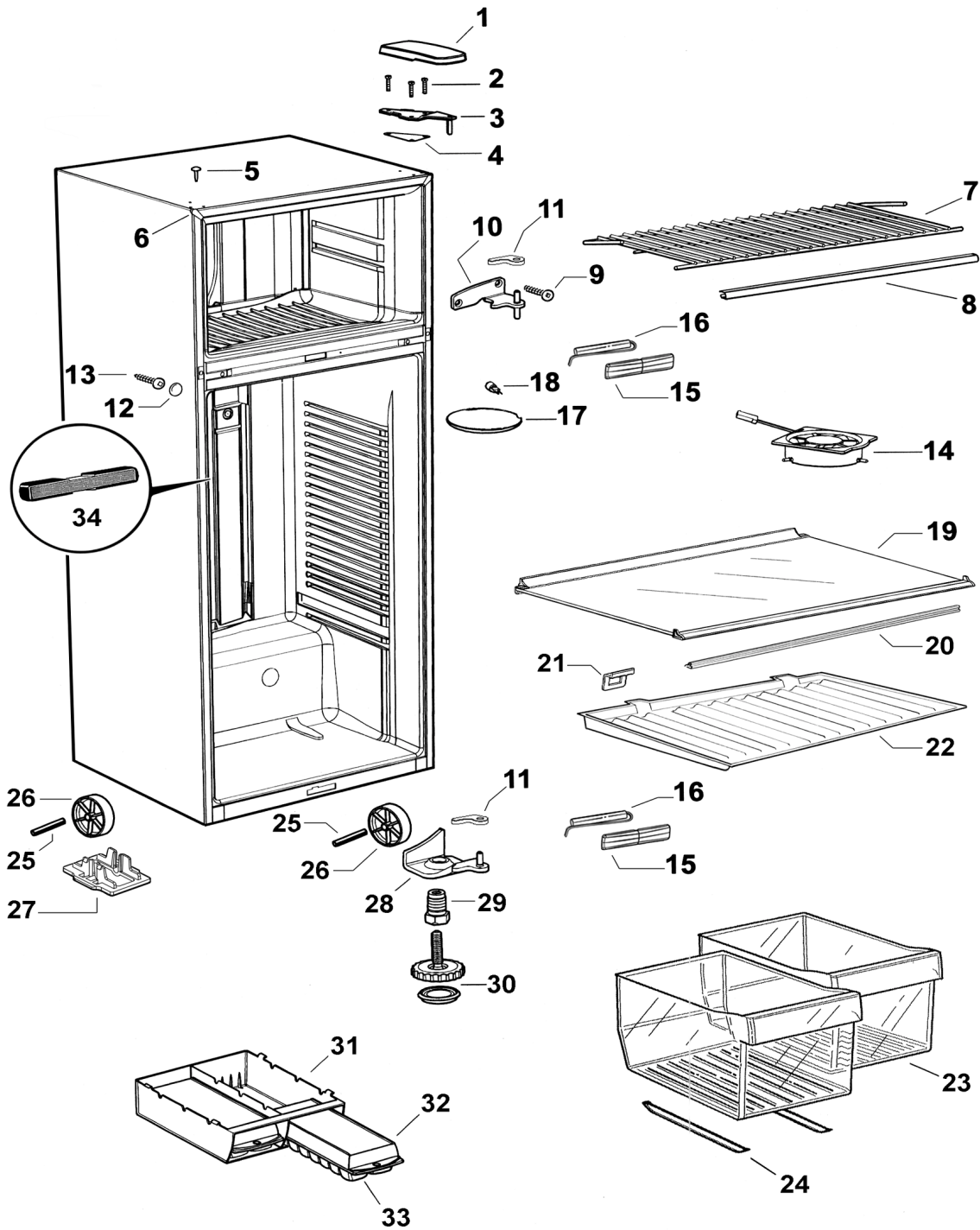
### DOOR ASSEMBLIES BOTTOM FREEZER



**DOOR ASSEMBLIES BOTTOM FREEZER**

<b>REF</b>	<b>PART</b>	<b>DESCRIPTION</b>	<b>MODEL</b>
21	881044	SCREW 8X22 WAFER PHIL STZP	
22	881391	PLATE HANDLE SUPPORT	
23	878984	HANDLE DR SS LONG	
24	878985	HANDLE DR SS SHORT	
25	881160	SCREW 8X3/4 PAN PH ST ZP	

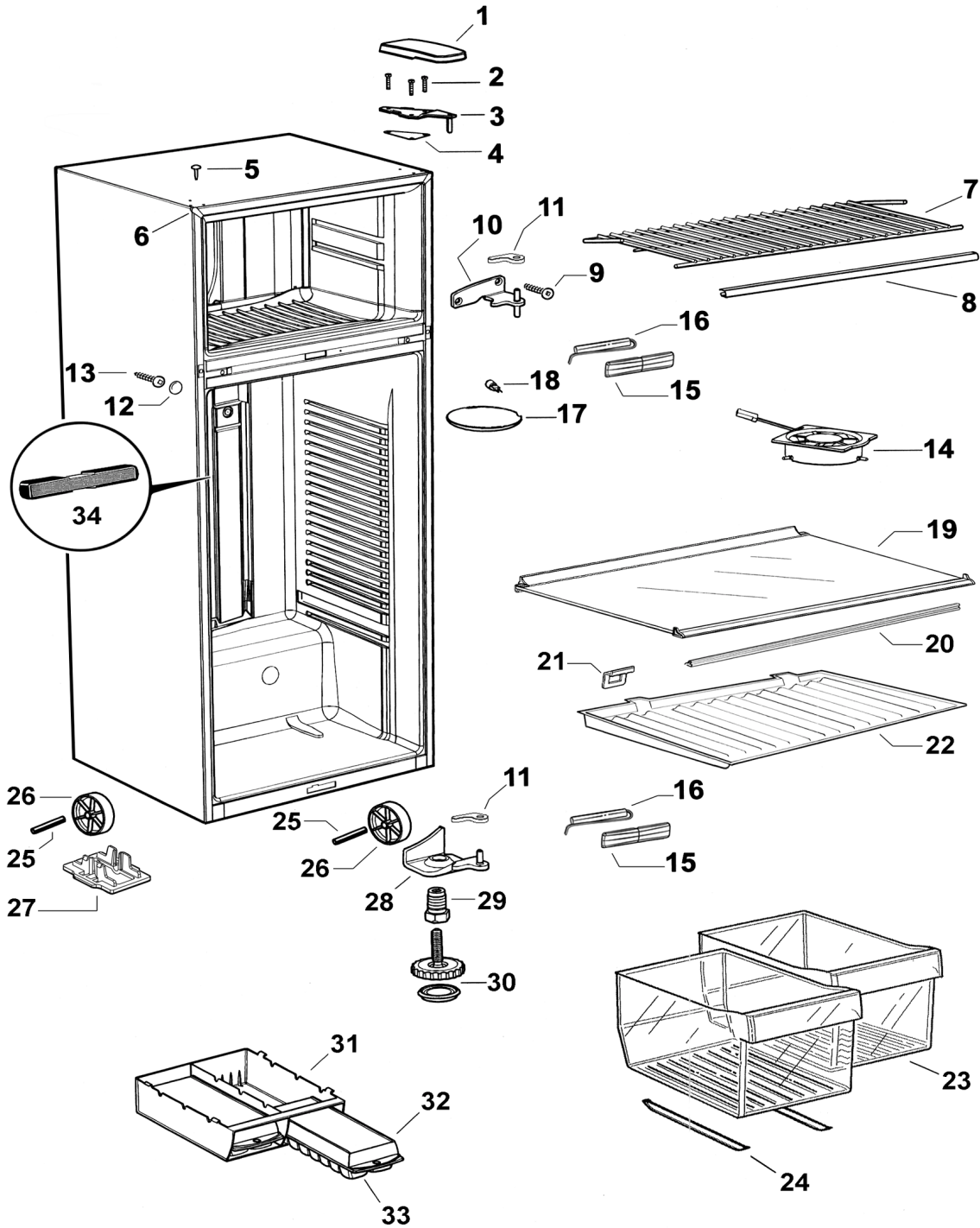
# CABINET TOP FREEZER



**CABINET TOP FREEZER**

<b>REF</b>	<b>PART</b>	<b>DESCRIPTION</b>	<b>MODEL</b>
1	881314	COVER TOP HINGE CHARCOAL	
2	610312	SCREW MC M5X20 HEX PH MS ZNPL	
3	880526	BRACKET TOP HINGE ASSY	
4	882355	GASKET TOP HINGE	
5	881209	PLUG TAPPED HOLE CHARCOAL	
6	881243	TRIM CORNER CHARCOAL	
	883591	TRIM CORNER RECESSED CHARCOAL	
7	877927	SHELF TOP FC WHITE 790	
8	877702	TRIM SHELF PC 790 WHITE	
9	880656	SCREW 10GX25CSK SQ SS	
10	881283	BRACKET CENTRE HINGE RH	
	881286	BRACKET CENTRE HINGE LH	
11	883328	CAP DOOR CLOSING RH HGE BRKT	
	883329	CAP DOOR CLOSING LH HGE BRKT	
12	881295	CAP SCREW CROSS RAIL CHARCOAL	
	880596	CAP SCREW CROSS RAIL WHITE	
13	880655	SCREW 10X19 AB No2 SQ ZN NP	
14	881438P	FAN & HOUSING PC ASSY ST4	
	*	878582 <i>SPRING FAN SUSPENDED PC</i>	
	*	878583 <i>HOUSING FAN SUSPENDED</i>	
		881592 <i>CAP FEMALE 51139-0200 MLX</i>	
		881598 <i>PIN 20-26AWG 50600-8100 MLX</i>	
		883340 <i>MOTOR FAN DC SUSP PC ASSY ST4</i>	
15	881420	COVER REED SWITCH ST4 WH	
	881422	COVER REED SWITCH ST4 CH	
16	881223P	SWITCH REED FIELD FIX KIT ST4	
17	875318	COVER LAMP PC	
18	874017	LAMP HALOGEN PC	
19	881299	SHELF GLASS PC SC ASSY 790	
		881261 <i>PLUG REAR EXTRUSION RH</i>	
		881262 <i>PLUG REAR EXTRUSION LH</i>	
		881302 <i>PLUG FRT EXTRUSION RH 680/790</i>	
		881303 <i>PLUG FRT EXTRUSION LH 680/790</i>	
		883452 <i>SHELF GLASS SAFETY PC 790</i>	
		883453 <i>EXTRUSN FRT GLASS SHELF SC 790</i>	
		883455 <i>EXTRUSN REAR GLAS SHELF SC 790</i>	

# CABINET TOP FREEZER

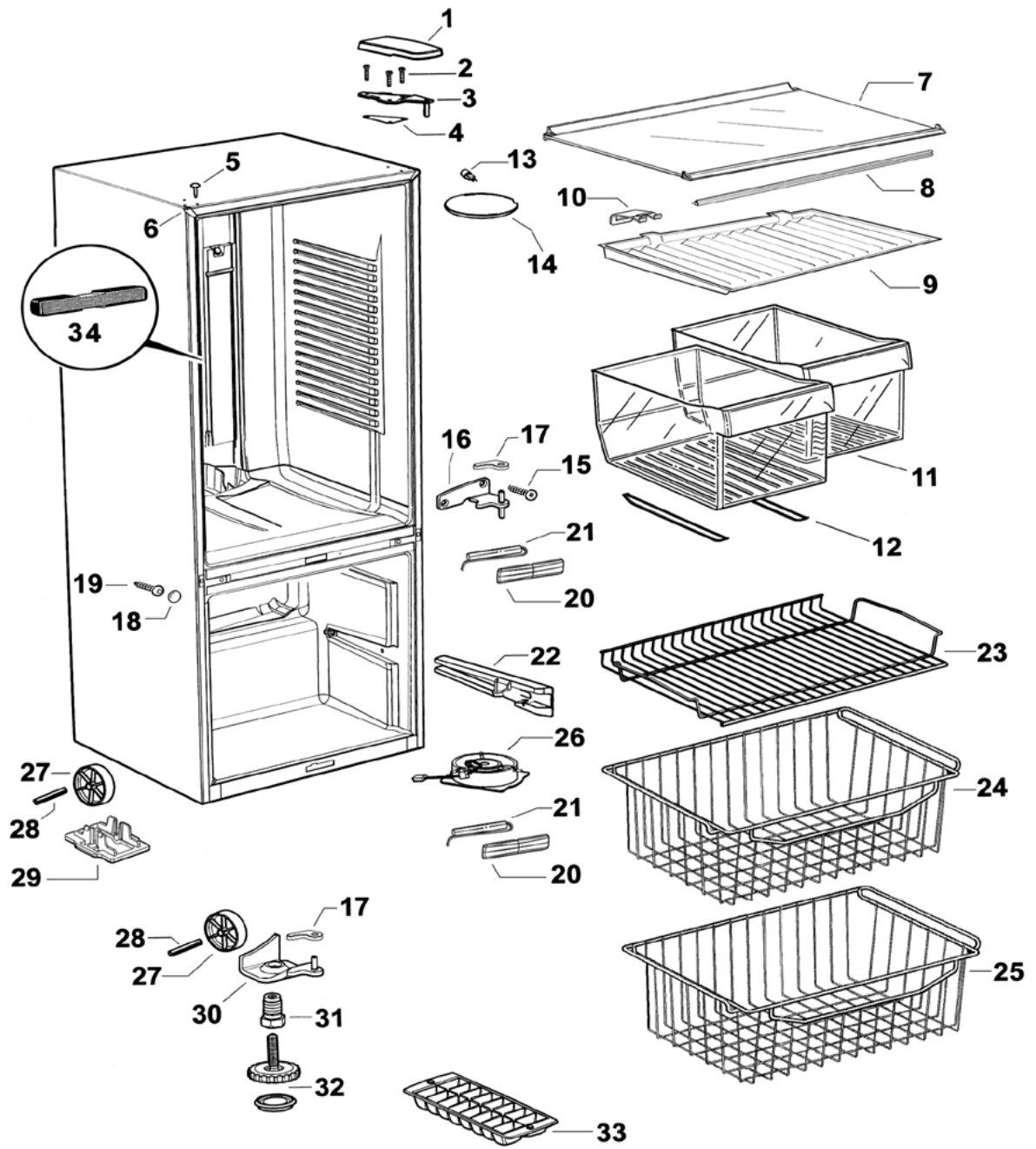




**CABINET TOP FREEZER**

<b>REF</b>	<b>PART</b>	<b>DESCRIPTION</b>	<b>MODEL</b>
20	881267	EXTRUSION HCL SUPPORT 790	
21	881269	BRACKET HCL SUPPORT T GL SH	
22	882200	LID CRISPER HUMIDITY 790	
23	882103	BIN CRISPER T MODEL 790	
24	882352	FOOT RUNNER CRISPR T MODL 790	
25	880545	ROLLER FOOT FRONT	
26	871017	PIN ROLLER PLATED	
27	315090P	KIT WHEEL BRACKET CLIP	
		<i>871017 PIN ROLLER PLATED</i>	
		<i>880545 ROLLER FOOT FRONT</i>	
		<i>881480 CLIP WHEEL BRACKET</i>	
28	881274	BRACKET BTTM HINGE RH	
	881277	BRACKET BTTM HINGE LH	
29	880959	BOLT BTTM HINGE BRKT	
30	880512	FOOT LEVELLING ASSEMBLY	
		<i>880519 BASE LEVELLING FOOT</i>	
31	872963	TRAY ICE HOLDER	
32	874108	TRAY ICE LID	
33	874107	TRAY ICE BASE	
34	882841	FILTER DEODORISER & FOAM ASSY	

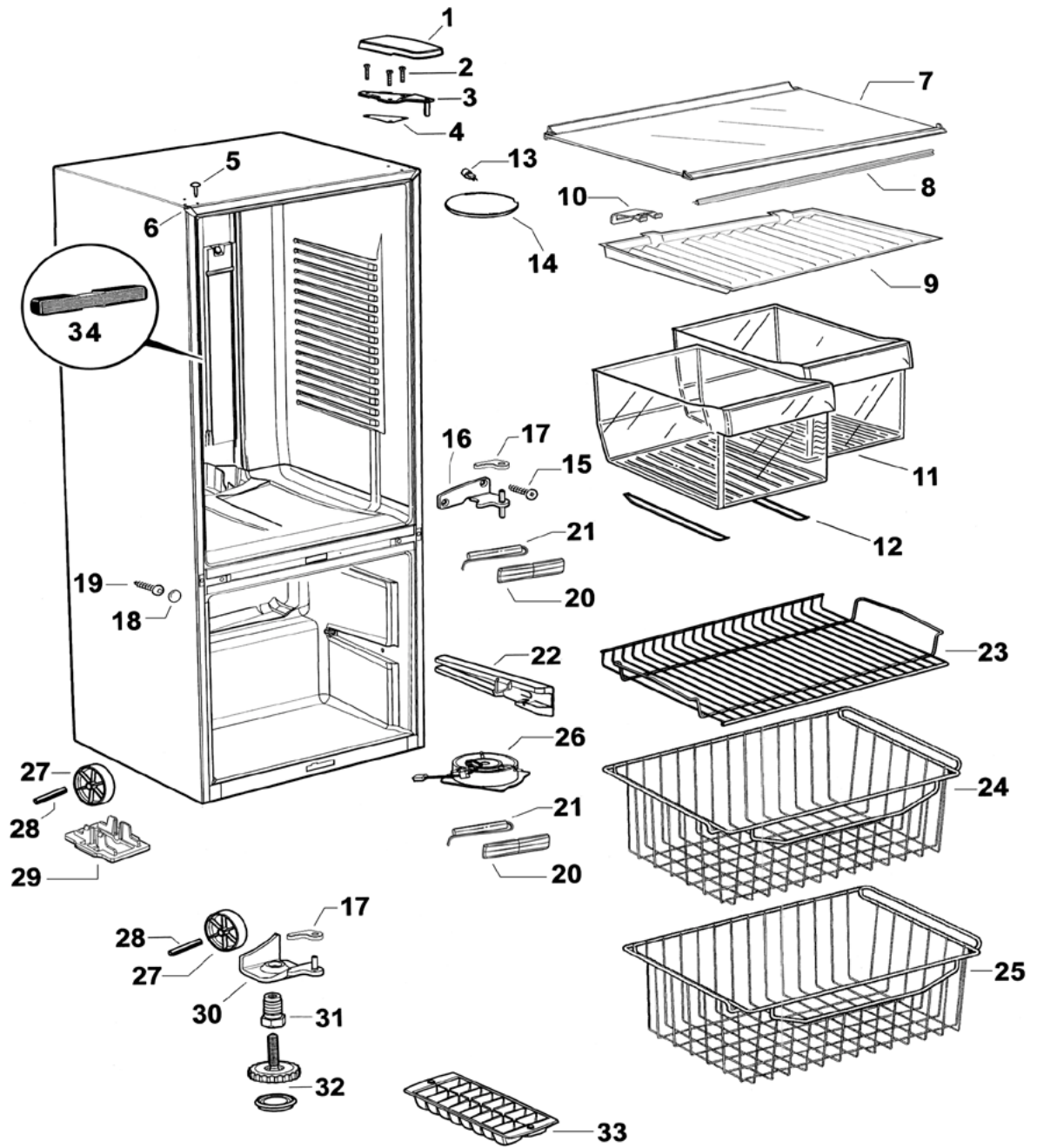
# CABINET BOTTOM FREEZER



**CABINET BOTTOM FREEZER**

<b>REF</b>	<b>PART</b>	<b>DESCRIPTION</b>	<b>MODEL</b>
1	881314	COVER TOP HINGE CHARCOAL	
2	610312	SCREW MC M5X20 HEX PH MS ZNPL	
3	880526	BRACKET TOP HINGE ASSY	
4	882355	GASKET TOP HINGE	
5	881209	PLUG TAPPED HOLE CHARCOAL	
6	881243	TRIM CORNER CHARCOAL	
	883591	TRIM CORNER RECESSED CHARCOAL	
7	881299	SHELF GLASS PC SC ASSY 790	
	881261	<i>PLUG REAR EXTRUSION RH</i>	
	881262	<i>PLUG REAR EXTRUSION LH</i>	
	881302	<i>PLUG FRT EXTRUSION RH 680/790</i>	
	881303	<i>PLUG FRT EXTRUSION LH 680/790</i>	
	883452	<i>SHELF GLASS SAFETY PC 790</i>	
	883453	<i>EXTRUSN FRT GLASS SHELF SC 790</i>	
	883455	<i>EXTRUSN REAR GLAS SHELF SC 790</i>	
8	881267	EXTRUSION HCL SUPPORT 790	
9	882201	LID CRISPER HUMIDITY B MODL 790	
10	881268	BRACKET HCL SUPPORT B GL SH	
11	875309	BIN CRISPER B MODEL 790	
12	875287	FOOT CRISPER RUNNER B MODEL	
13	874017	LAMP HALOGEN PC	
14	875318	COVER LAMP PC	
15	880656	SCREW 10GX25CSK SQ SS	
16	881283	BRACKET CENTRE HINGE RH	
	881286	BRACKET CENTRE HINGE LH	
17	883328	CAP DOOR CLOSING RH HGE BRKT	
	883329	CAP DOOR CLOSING LH HGE BRKT	
18	881295	CAP SCREW CROSS RAIL CHARCOAL	
	880595	CAP SCREW CROSS RAIL WHITE	
19	880655	SCREW 10X19 ABNo 2 SQ ZN NP	
20	881420	COVER REED SWITCH ST4 WHITE	
	881422	COVER REED SWITCH ST4 CHARCOAL	
21	881223P	SWITCH REED FIELD FIX KIT ST4	

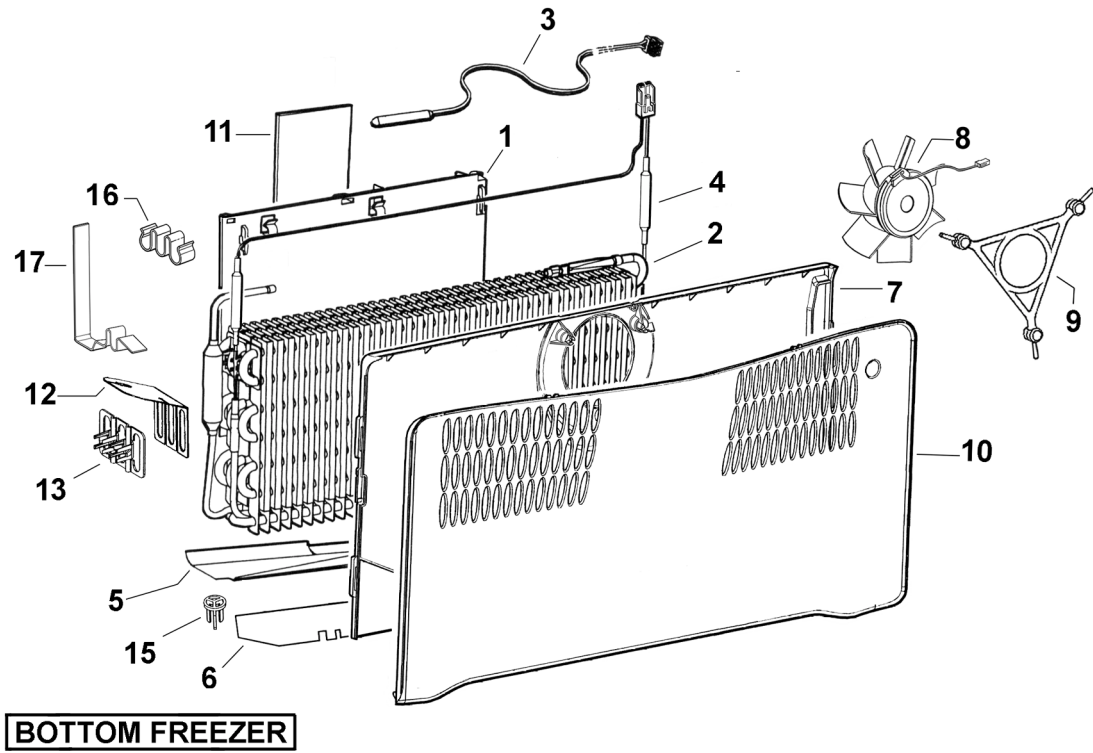
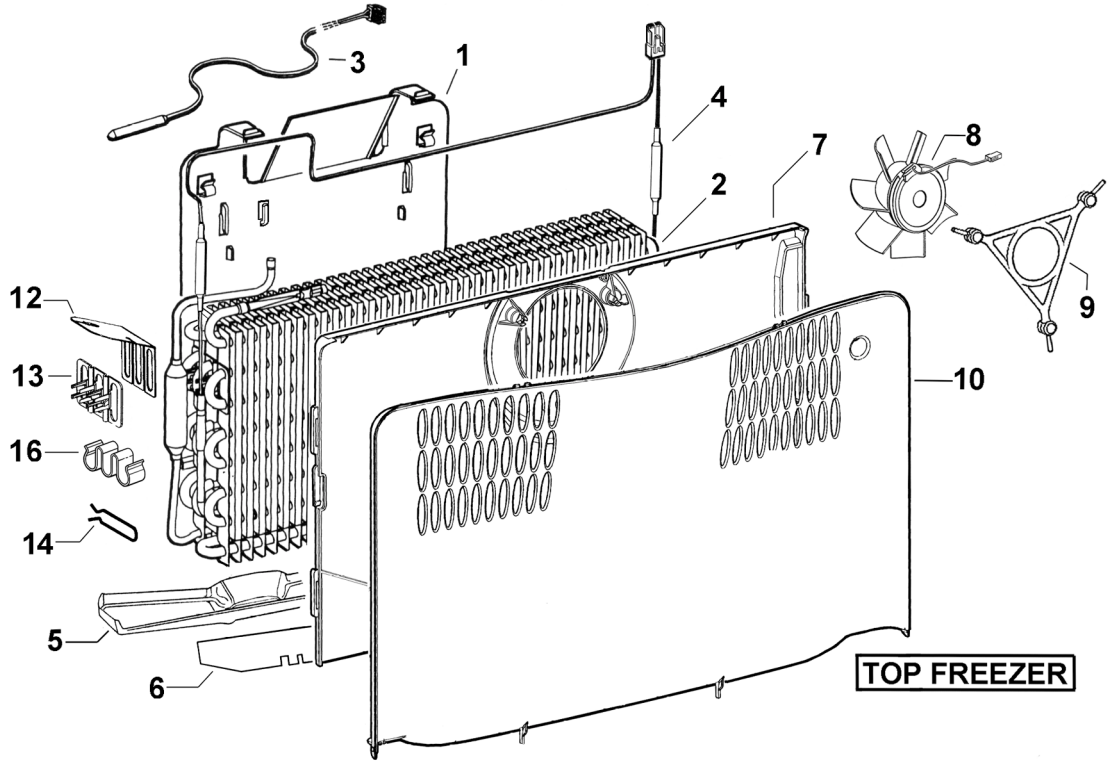
# CABINET BOTTOM FREEZER



**CABINET BOTTOM FREEZER**

<b>REF</b>	<b>PART</b>	<b>DESCRIPTION</b>	<b>MODEL</b>
22	871145	RUNNER ASSY FC BASKET B MODEL RH	
		<i>855143 WHEEL BASKET SUPPORT B VF</i>	
		<i>901323 PIN FC BASKET RUNNER P42</i>	
	871146	RUNNER ASSY FC BASKET B MODEL LH	
		<i>855143 WHEEL BASKET SUPPORT B VF</i>	
		<i>901323 PIN FC BASKET RUNNER P42</i>	
23	877930	SHELF FC B MODEL 790	
24	877936	BASKET FC TOP B MODEL 790	
25	877933	BASKET FC BTM B MODEL 790	
26	881438P	FAN & HOUSING PC ASSY S4	
	*	<i>878582 SPRING FAN SUSPENDED PC</i>	
	*	<i>878583 HOUSING FAN SUSPENDED</i>	
		<i>881592 CAP FEMALE 51139-0200 MLX</i>	
		<i>881598 PIN 20-26AWG 50600-8100 MLX</i>	
		<i>883340 MOTOR FAN DC SUSP PC ASSY ST4</i>	
27	880545	ROLLER FOOT	
28	871017	PIN ROLLER	
29	315090P	KIT WHEEL BRACKET CLIP	
		<i>871017 PIN ROLLER PLATED</i>	
		<i>880545 ROLLER FOOT FRONT</i>	
		<i>881480 CLIP WHEEL BRACKET</i>	
30	881274	BRACKET BTM HINGE RH	
	881277	BRACKET BTM HINGE LH	
31	880959	BOLT BTM HINGE BRKT	
32	880512	FOOT LEVELLING ASSEMBLY	
		<i>880519 BASE LEVELLING FOOT</i>	
33	874107	TRAY ICE BASE	
34	882841	FILTER DEODORISER & FOAM ASSY	

## FAN, COVERS AND EVAPORATOR ASSEMBLIES

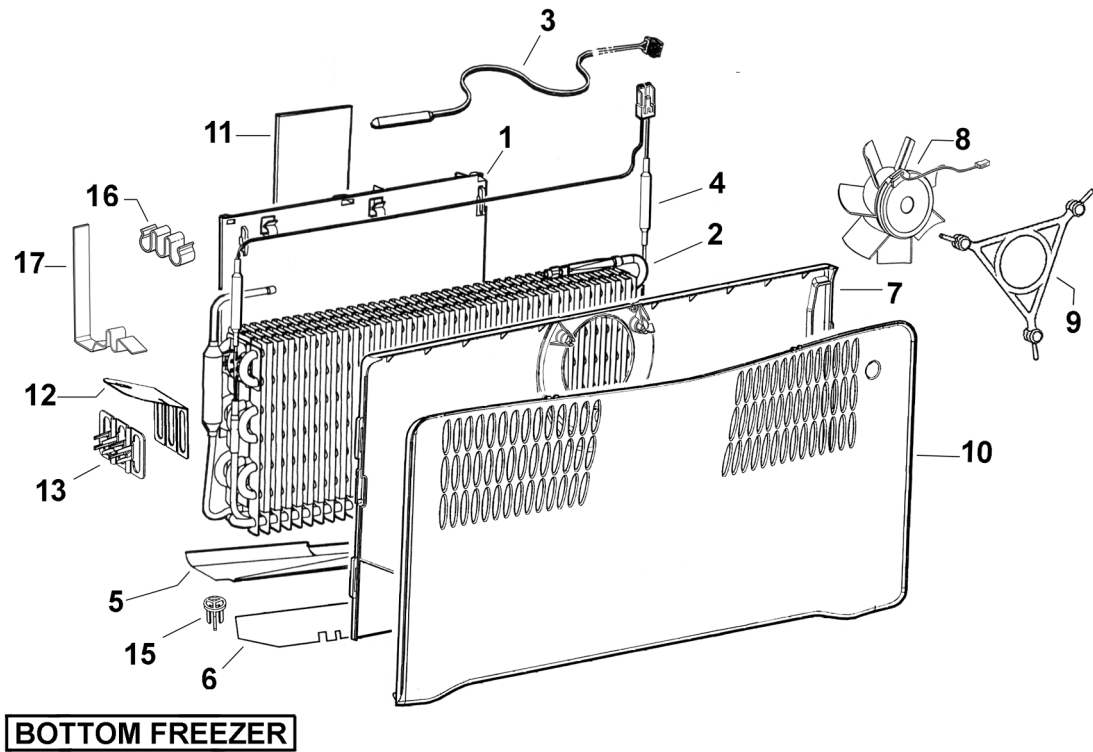
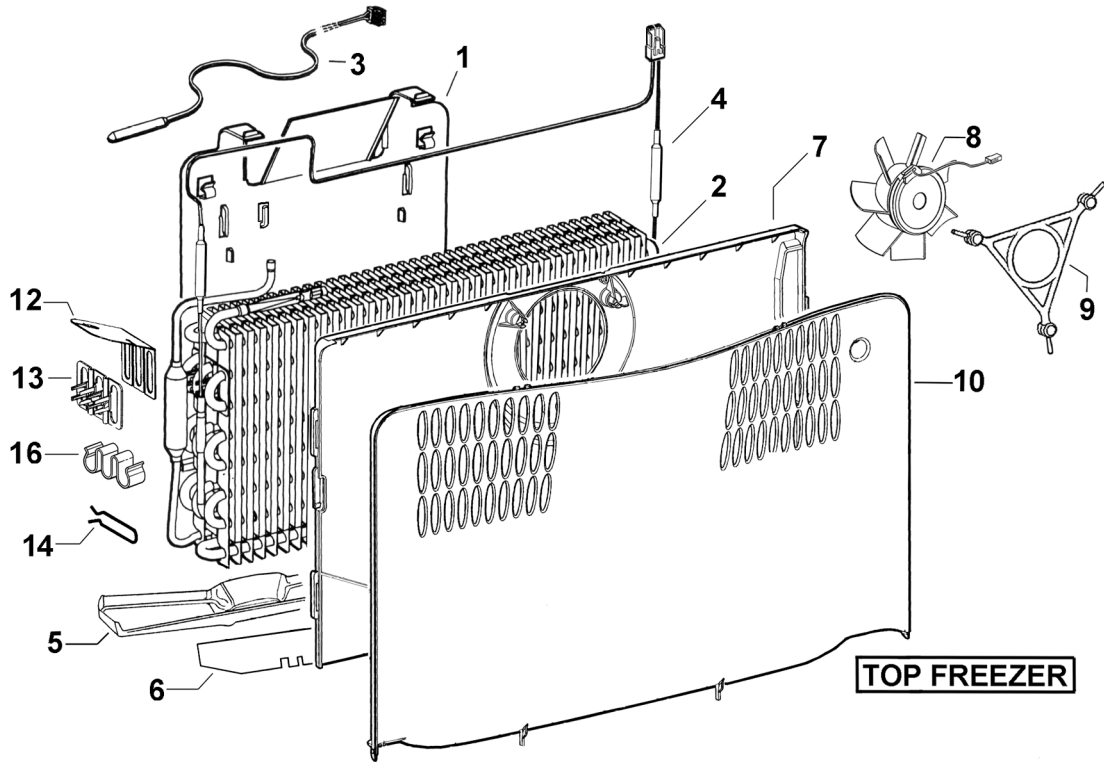


## FAN, COVERS AND EVAPORATOR ASSEMBLIES

REF	PART	DESCRIPTION	MODEL
1	880495	CHASSIS EVAPORATOR ELECT T MODEL	
	880494	CHASSIS EVAPORATOR ELECT B MODEL 790	
2	881434P	EVAPORATOR SERV KIT 790T ST4 <b>110V</b>	
	855299	CLIP HEATER 20MM EVAP FIN (1)	
	883350	CLIP HEATER DEFROST T EVAP (2)	
	883377P	HEATER DEF & FUSE RED 790 <b>110V</b>	
*	855305	HARNESS ADAPTOR DEFROST HEATER	
	900325	TIE PLASTIC 140MM (2)	
	881435P	EVAPORATOR SERV KIT 790B ST4 <b>110V</b>	
	883349	CLIP DEFROST HEATER B MODL EVAP (1)	
	883350	CLIP DEFROST HEATER T MODL EVAP (1)	
	883377P	HEATER DEF & FUSE RED 790 <b>110V</b>	
	883863	JOINER CAPILLARY	
	883864	CAPILLARY SHORT 200MM	
*	855305	HARNESS ADAPTOR DEFROST HEATER	
	900325	TIE PLASTIC 140MM (2)	
	881436P	EVAPORATOR SERV KIT 790T ST4 240V	
	855299	CLIP HEATER 20MM EVAP FIN (1)	
	883350	CLIP HEATER DEFROST T EVAP (2)	
	883378P	HEATER DEF & FUSE YEL 240V 790	
*	855305	HARNESS ADAPTOR DEFROST HEATER	
	900325	TIE PLASTIC 140M (2)	
	881437P	EVAPORATOR SERV KIT 790B ST4 240V	
	883349	CLIP DEFROST HEATER B MODL EVAP (1)	
	883350	CLIP DEFROST HEATER T MODL EVAP (1)	
	883378P	HEATER DEF & FUSE YEL 790 240V	
	883863	JOINER CAPILLARY	
	883864	CAPILLARY SHORT 200MM	
*	855305	HARNESS ADAPTOR DEFROST HEATER	
	900325	TIE PLASTIC 140MM (2)	
3	855203P	SENSOR KIT ASSY	
4	883377P	HEATER DEF & FUSE RED 790 <b>110V</b>	
*	883349	CLIP DEFROST HEATER B MODEL EVAP (1)	
*	883350	CLIP DEFROST HEATER T MODEL EVAP (2)	
	883756	LEAFLET INSTRUCTION 790B DEFROST HTR	
*	855305	HARNESS ADAPTOR DEFROST HEATER	
	900325	TIE PLASTIC 140MM (2)	



# FAN, COVERS AND EVAPORATOR ASSEMBLIES

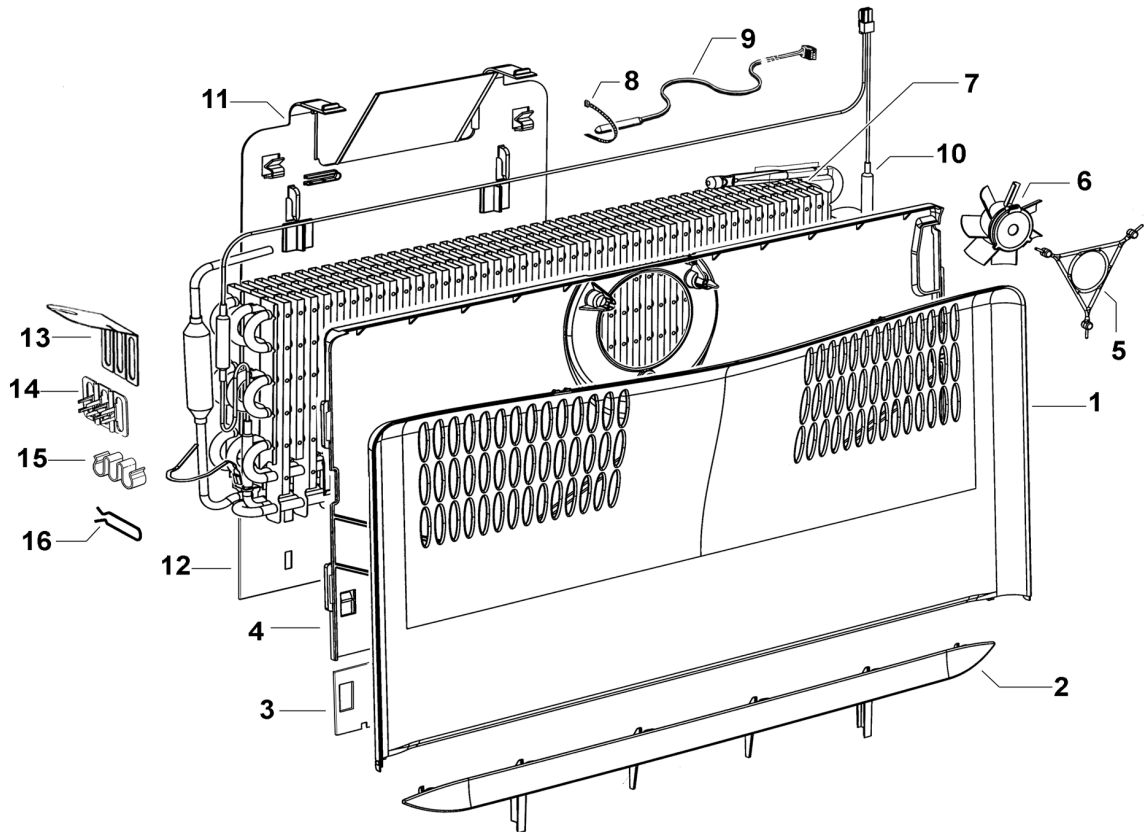




**FAN, COVERS AND EVAPORATOR ASSEMBLIES**

<b>REF</b>	<b>PART</b>	<b>DESCRIPTION</b>	<b>MODEL</b>
4	883378P	HEATER DEF & FUSE YEL 790 240V	
	*	883349 <i>CLIP DEFROST HEATER B MODEL EVAP (1)</i>	
	*	883350 <i>CLIP DEFROST HEATER T MODEL EVAP (2)</i>	
		883756 <i>LEAFLET INSTRUCTION 790B DEFROST HTR</i>	
	*	855305 <i>HARNESS ADAPTOR DEFROST HEATER</i>	
		900325 <i>TIE PLASTIC 140MM (2)</i>	
5	873953	SHIELD DRAIN HEATER DEFROST 790B	
	874163	SHIELD DRAIN HEATER DEFROST 790T	
6	880279	SHIELD HEATER FC COVER	
7	* 882843	COVER ASSY FAN FC REAR 790	
8	881409P	FAN MOTOR DC SUSP FC ASSY	
		881592 <i>CAP FEMALE 51139-0200 MLX</i>	
		881598 <i>PIN 20-26AWG 50600-8100 MLX</i>	
		883341 <i>FAN MOTOR DC SUSP FC ASSY</i>	
9	* 882956	SPRING FAN SUSPD FC TRIANGULAR	
10	873396	COVER FAN FC FRONT E790 T MODEL	
	873395	COVER FAN FC FRONT E790 B MODEL	
11	883755P	HEAT CHASSIS KIT 790 B MODEL	
		883349 <i>CLIP DEFROST HEATER B MODL EVAP (1)</i>	
12	880724	DEFLECTOR AIR FLOW	
13	871463	CLIP TUBE EVAP PLASTIC	
14	855299	CLIP HEATER 20MM EVAP FIN	
15	876771	FILTER 'P' CATCHER DRAIN	
16	* 883350	CLIP DEFROST HEATER T MODEL EVAP	
17	* 883349	CLIP DEFROST HEATER B MODEL EVAP	

# FAN, COVERS AND EVAPORATOR, - TWIN PC RETURN AIR DUCT SYSTEM

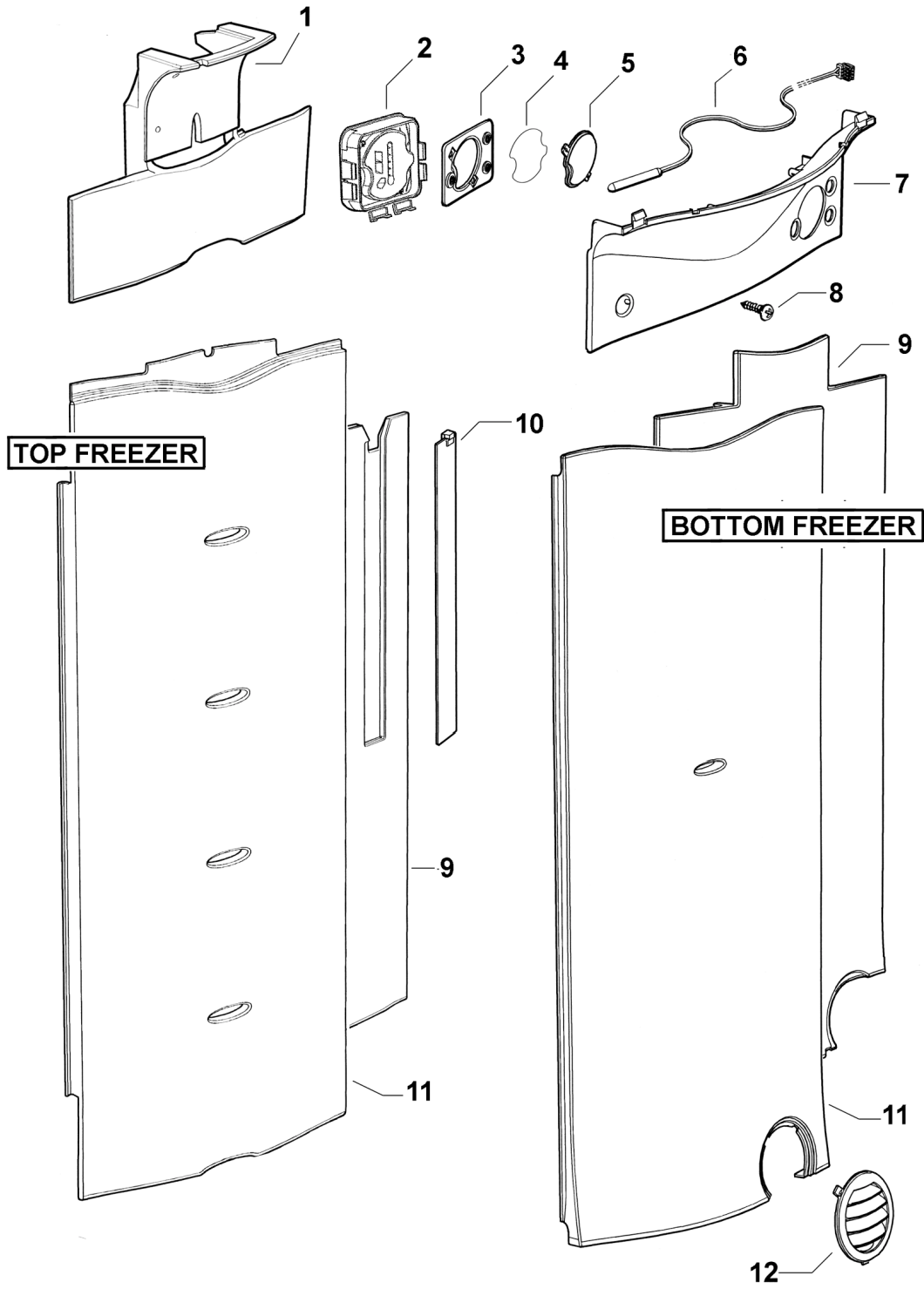


**TOP FREEZER MODEL E521T  
WITH TWIN PC RETURN AIR DUCT SYSTEM**

**FAN, COVERS & EVAPORATOR – TWIN PC RETURN AIR DUCT SYSTEM**

<b>REF</b>	<b>PART</b>	<b>DESCRIPTION</b>	<b>MODEL</b>
1	883688	COVER FAN FC FRONT 790T	
2	883693	COVER VENT 790T	
3	883783	SHIELD FC REAR COVER	
4	* 882843	COVER ASSY FAN FC REAR 790	
5	* 882956	SPRING FAN SUSPENDED FC FP111	
6	881409P	FAN MOTOR DC SUSP FC ASSY	
		<i>881592 CAP FEMALE 51139-0200 MLX</i>	
		<i>881598 PIN 20-26AWG 50600-8100 MLX</i>	
		<i>883341 FAN MOTOR DC SUSP FC ASSY</i>	
7	881437P	EVAPORATOR SERV KIT 790 ST4 240V	
		<i>883349 CLIP DEFROST HEATER B EVAP (2)</i>	
		<i>883350 CLIP HEATER DEFROST T EVAP (1)</i>	
		<i>883378P HEATER DEF &amp; FUSE YEL 240V 790</i>	
		<i>883863 JOINER CAPILLARY</i>	
		<i>883864 CAPILLARY SHORT 200MM</i>	
	* 855305	<i>HARNESS ADAPTOR DEFROST HEATER</i>	
		<i>900325 TIE PLASTIC 140MM (2)</i>	
8	900325	TIE PLASTIC 140MM	
9	855203P	SENSOR KIT ASSY	
10	883378P	HEATER DEF & FUSE YEL 240V 790	
	* 883349	<i>CLIP DEFROST HEATER B EVAP (1)</i>	
	* 883350	<i>CLIP HEATER DEFROST T EVAP (2)</i>	
		<i>883756 LEAFLET INSTRUCTION 790B DEF HTR</i>	
	* 855305	<i>HARNESS ADAPTOR DEFROST</i>	
		<i>900325 TIE PLASTIC 140MM (2)</i>	
11	880495	CHASSIS EVAP ELECT T MODEL	
12	883791	SHIELD EVAP CHASS T MODEL	
13	880724	FLOW DEFLECTOR	
14	871463	CLIP TUBE EVAP PLASTIC	
15	* 883350	CLIP HEATER DEFROST T EVAP	
16	855299	CLIP HEATER 20MM EVAP FIN	

# ELECTRONIC MODULE AND DUCT COVERS

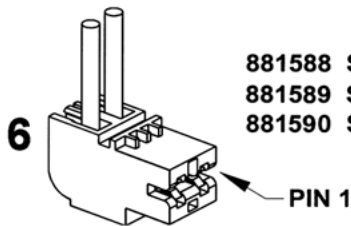
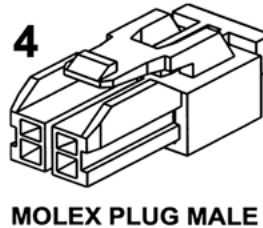
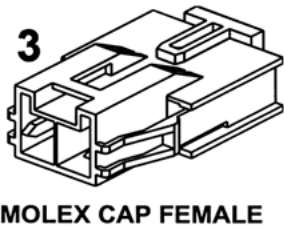
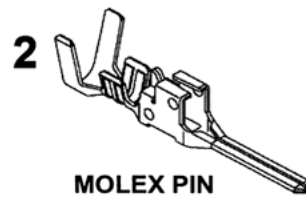


**ELECTRONIC MODULE AND DUCT COVERS**

<b>REF</b>	<b>PART</b>	<b>DESCRIPTION</b>	<b>MODEL</b>
1	880759	INSULATION COVER DUCT TOP T MOD	E521T
2	881218P	MODULE DISPLAY ST4	
	883424P	MODULE DISPLAY ISRAEL 230V ST4	
3	880779	GASKET DISPLAY MODULE	
4	883448	INSERT GRAPHICS DISPLAY	
5	883449	LENS CLEAR-DISPLAY MODULE	
6	855203P	SENSOR KIT ASSY	
7	883331	COVER DUCT TOP T&H MODEL HS	E521T
	883332	COVER DUCT TOP B MODEL HS	E522B
8	900475	SCREW 8X16.4MM SP PAN NIB ST	
9	880259	INSULATION COVER DUCT LONG T	E521T
	877840	INSULATION COVER DUCT B680/790	E522B
10	880571	HEATER PCB LOW AMB T MODELS	
11	873583	COVER DUCT T MODEL LONG	E521T
	880358	COVER DUCT PC	E522B
12	877922	COVER PC RETURN AIR B MODL 790	E522B
NI	883771	LEAFLET INSTRUCTION SPECIAL MODE FOR 883424P DISPLAY MODULE	

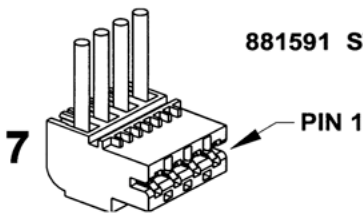
## ACTV SMART ST4 TERMINALS PLUGS & SOCKETS

### ACTIVE SMART STAGE 4 TERMINALS, PLUGS AND SOCKETS

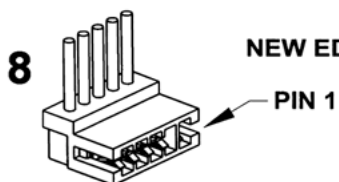


881588 STOCKO 9290-02-AB01-000-960 (Mains cord)  
881589 STOCKO 9290-02-BA01-000-960 (Defrost Heater)  
881590 STOCKO 9290-02-EE01-000-960 (Run Capacitor)

NOTE THAT IN THE PART NAMES OF THESE CONNECTORS, THE -02- REFERS TO IT BEING A 2 WAY CONNECTOR, AND THE -AB01- (FOR EXAMPLE) REFERS TO THE CODING OF THE CONNECTOR. STOCKO IS THE MANUFACTURER OF THESE CONNECTORS.



881591 STOCKO 9290-04-EF02-000-960  
(COMPRESSOR CABLE)



NEW EDGE CONNECTOR SERIES WITH INTERNAL CODING –  
NOTE THE WALL.

NOTE: TO MINIMISE THE NUMBER OF SPARE PARTS THAT NEED TO BE CARRIED, THESE CODED CONNECTORS ARE TO BE REPLACED WITH THEIR UN-CODED EQUIVALENTS. FOR THE 3, 5 AND 6 WAY CONNECTORS USED ON STAGE 4 CABINETS

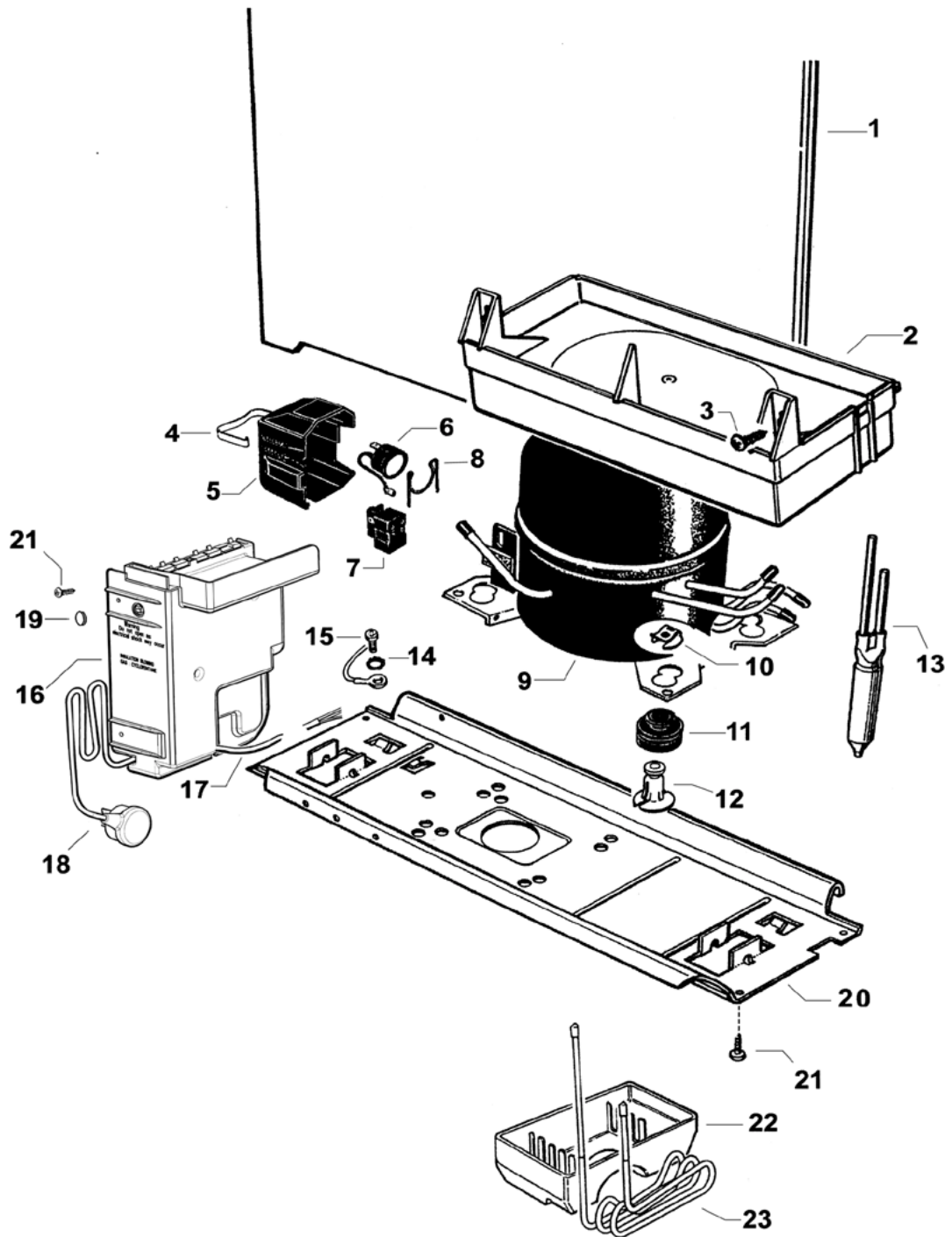
**ACTV SMART ST4 TERMINALS PLUGS & SOCKETS**

<b>REF</b>	<b>PART</b>	<b>DESCRIPTION</b>
1	881595	SOCKET 16-22AWG 50597-8100 MLX
	881596	SOCKET 20-26AWG 50598-8100 MLX
2	881597	PIN 16-22AWG 50599-8100 MLX
	881598	PIN 20-26AWG 50600-8100 MLX
3	881592	CAP FEMALE 51139-0200 MLX
4	881593	PLUG MALE 51138-0200 MLX
5	881594	RETAINER 51140-0205 MLX
6	881588	CONNECTOR RAST 9290-02-AB01
	881589	CONNECTOR RAST 9290-02-BA01
	881590	CONNECTOR RAST 9290-02-EE01
7	881591	CONNECTOR RAST 9290-04-EF02
8	873243	CONNECTOR RAST 7234-012-500
	873247	CONNECTOR RAST 7234-006-500
	873248	CONNECTOR RAST 7234-010-500
	873250	CONNECTOR RAST 7234-004-500
	873251	CONNECTOR RAST 7234-003-500
	873279	CONNECTOR RAST 7234-008-500
	881135	CONNECTOR RAST 7234-005-500
	881136	CONNECTOR RAST 7234-014-500
	881137	CONNECTOR RAST 7234-017-502

NOTE: THE NUMBERS IN THE DESCRIPTION OF THE RAST CONNECTOR DENOTES THE NUMBER OF CONNECTIONS

EXAMPLE: 7234-017-502 =17 WAY CONNECTOR

# COMPRESSOR AND POWER MODULE

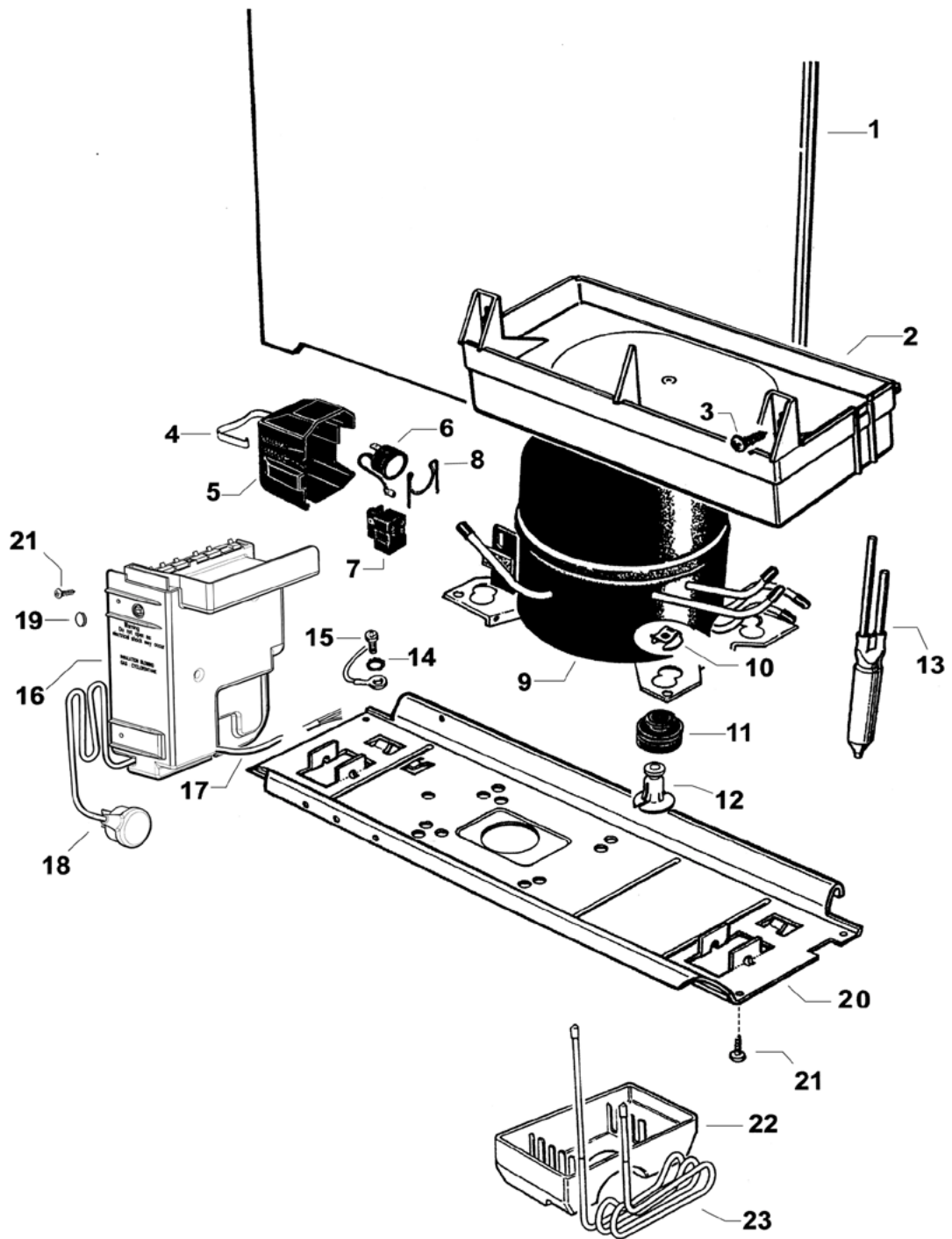




## COMPRESSOR AND POWER MODULE

REF	PART	DESCRIPTION	MODEL
1	882137	PANEL BACK & CONDENSER ASSEMBLY	
2	876653	TRAY WATER EVAPORATOR NOTCHED	
	880884	TRAY WATER EVAP TOP HAT	
3	SP0201P	SCREW 8X12 PAN PH NIB PKT10	
4	209673	CLIP COVER 01-245233	
5	209078	COVER PROTECTOR 01-899532	
	209995	PROTECTOR COVER EMBRACO	
6	207067	O/LOAD EMB 4TM762MFBYY EGU90 115V	
	207075	O/LOAD MAT DB73 110V 60HZ	
	209084	O/LOAD MM3-28GCF	
	209994	OVERLOAD COMPR 283KFBYY FGS90	
7	207068	RELAY PTC EMB 7M4R7MD3 115V	
	207076	RELAY PTC MAT DB73 110V	
	209988	RELAY PTC D SERIES MM8-5DDT33M	
	207080	RELAY PTC EMBRACO 7M22MD 3	
8	209674	CLIP O/LOAD 01-246801	
9	207066P	COMPR EMB EGU90HLCW 115V 60HZ	
	207067	O/LOAD EMB 4TM762MKFBYY EGU90 115V	
	207068	RELAY PTC EMB 7M4R7MD3 115V	
	209995	PROTECTOR COVER EMBRACO	
	209996	RETAINER CABLE EMBRACO	
	207074P	COMPR MAT DB73C13RAT6 110V60HZ	
	207075	O/LOAD MAT DB73 110V 60HZ	
	207076	RELAY PTC MAT DB73C 110V 60HZ	
	209493P	COMPR MATSU DB91C18R 240V 50Hz	
	209078	COVER PROTECTOR 01-899532	
	209084	O/LOAD MM3-28GCF	
	209673	CLIP COVER 01-245233	
	209674	CLIP O/LOAD 01-246801	
	209988	RELAY PTC D SERIES MM8-5DDT33M	
	502173	FILTER DRIER 12 GR DUAL BRAZED	
	872838	GROMMET COMPRESSOR MOUNTING	
	209999P	COMPR EMB FGS90HAW 240V 50Hz	
	209674	CLIP O/LOAD 01-246801	
	207080	RELAY PTC EMBRACO 7M220MD 3	
	209994	OVERLOAD COMPR 283KFBYY FGS90	
	209995	PROTECTOR COVER EMBRACO	

# COMPRESSOR AND POWER MODULE



**COMPRESSOR AND POWER MODULE**

<b>REF</b>	<b>PART</b>	<b>DESCRIPTION</b>	<b>MODEL</b>
		<i>209996</i> RETAINER CABLE EMBRACO	
		<i>502173</i> FILTER DRIER 12 GR DUAL BRAZED	
		<i>872838</i> GROMMET COMPRESSOR MOUNTING	
10	855270	CLIP FOOT COMPRESSOR	
11	872838	GROMMET COMPRESSOR MOUNTING	
12	850265	PIN COMPRESSOR MOUNTING	
13	502173	FILTER DRIER 12 GR DUAL BRAZED	
14	900101	WASHER LOCK NO 10 EXT SP ZP	
15	900377	SCREW 8X32X8 TY T PAN PH ZP	
	900475	SCREW 8X16.4MM SP PAN NIB ST	
16	* 881210P	MODULE PWR CONTROL BC 240V ST4	
	881215P	MODULE POWER CONTROL 110V ST4	
17	881234	HARNESS COMPRESSOR 3 CORE ST4	
	881235	HARNESS COMPRESSOR 4 CORE ST4	
18	881400	CABLE SUPPLY NZ/AUST ST4	
	881401	CABLE SUPPLY SING/UK ST4	
	881402	CABLE SUPPLY EUROPE ST4	
	881403	CABLE SUPPLY TAIWAN ST4	
	881405	CABLE SUPPLY JAPAN ST4	
	883644	CABLE SUPPLY ISRAEL ST4	
19	875861	PLUG PLASTIC LT GREY	
20	878489	TRAY COMP MOUNTING 790	
21	901525	SCREW 8X16 SP PAN NIB STZP PH	
22	873228	TRAY WATER OVERFLOW	
23	873040	TUBE HEATER SHEATHED 4.2MM	
		<u>PARTS NOT ILLUSTRATED</u>	
	207062	CAPACITOR RUN 4UF 400V ST4	
	209299	CAPACITOR RUN 20UF 250V ST3	
	209964	CAPACITOR RUN MATSU 06-264850	
	874329	CABLE LEAD EARTH	
	880771	LABEL WIRING DIAG 220-240V	
	883370	HARNESS CAPACITOR RAST 5 ST4	
	875113	SUCTION & CAPILLARY ASSY	E521T
	874810	SUCTION & CAPIL ASSY ASSY	E522B
	883870	SUCTION & CAPILLARY ASSY - TWIN PC RETURN AIR DUCT	E521T



## NOTES

### DOOR ASSEMBLIES TOP FREEZER

#### Technical Bulletins

315104P	RF020
315105P	RF020
315110P	RF020
315111P	RF020

### DOOR ASSEMBLIES BOTTOM FREEZER

#### Technical Bulletins

315106P	RF020
315107P	RF020
315108P	RF020
315109P	RF020

### CABINET TOP FREEZER

#### Notes

878582	Only available as complete assembly please order part number 880820 for ST3 cabinet or part number 881438P for ST4 cabinet
878583	Only available as complete assembly please order part number 880820 for ST3 cabinet or part number 881438P for ST4 cabinet

### CABINET BOTTOM FREEZER

#### Notes

878582	Only available as complete assembly please order part number 880820 for ST3 cabinet or part number 881438P for ST4 cabinet
878583	Only available as complete assembly please order part number 880820 for ST3 cabinet or part number 881438P for ST4 cabinet

### FAN, COVERS AND EVAPORATOR ASSEMBLIES

#### Notes

855305	855305 Adaptor Harness included for use when fitting the Stage 4 Defrost Heater Element (with Molex in-line connector) to an earlier Stage 1 to 3 cabinet (with AMP Mini Mate "N" Lok connector).The adaptor will remove the need to reterminate the cabinet harness on Stage 1 to 3 cabinets.
--------	--

#### Technical Bulletins

882843	RF021
882956	RF021
883349	RF033
883350	RF033

### COMPRESSOR AND POWER MODULE

#### Technical Bulletins

881210P	RF031
---------	-------



## REFRIGERATION ABBREVIATION KEY

<b>PC</b>	<b>PROVISION COMPARTMENT</b>
<b>FC</b>	<b>FREEZER COMPARTMENT</b>
<b>HCL</b>	<b>HUMIDITY CONTROL LID</b>
<b>HC</b>	<b>HUMIDITY COMPARTMENT</b>
<b>HS</b>	<b>HOT STAMPED</b>
<b>X/RAIL</b>	<b>CROSS RAIL</b>
<b>BC</b>	<b>BUTTER CONDITIONER</b>
<b>BS</b>	<b>“B” SERIES CABINET</b>
<b>CH</b>	<b>CHARCOAL COLOUR</b>
<b>CL GY</b>	<b>COOL GREY COLOUR</b>
<b>LT GY</b>	<b>LIGHT GREY</b>
<b>MD GY</b>	<b>MID GREY</b>
<b>DK GY</b>	<b>DARK GREY</b>
<b>SATIN OR SC</b>	<b>SATIN CHROME FINISH</b>
<b>SA</b>	<b>SANDSTONE COLOUR</b>
<b>SS</b>	<b>STAINLESS STEEL</b>
<b>SL or SIL</b>	<b>SILVER</b>
<b>HAN P/C</b>	<b>HANDLE POWDER COATED</b>
<b>F&amp;P</b>	<b>FISHER &amp; PAYKEL</b>
<b>PUSHIN</b>	<b>PUSHIN TYPE GASKET</b>
<b>LH</b>	<b>LEFT HAND</b>
<b>RH</b>	<b>RIGHT HAND</b>
<b>LHT</b>	<b>LEFT HAND TOP</b>
<b>RHT</b>	<b>RIGHT HAND TOP</b>
<b>LHB</b>	<b>LEFT HAND BOTTOM</b>
<b>RHB</b>	<b>RIGHT HAND BOTTOM</b>
<b>SML</b>	<b>SMALL</b>
<b>DC</b>	<b>DIRECT CURRENT</b>
<b>10W</b>	<b>10 WATTS</b>
<b>12V</b>	<b>12 VOLTS</b>
<b>XH9</b>	<b>TYPE OF DESSICANT WITHIN A FILTER DRIER</b>
<b>M5</b>	<b>5 MILLIMETER</b>