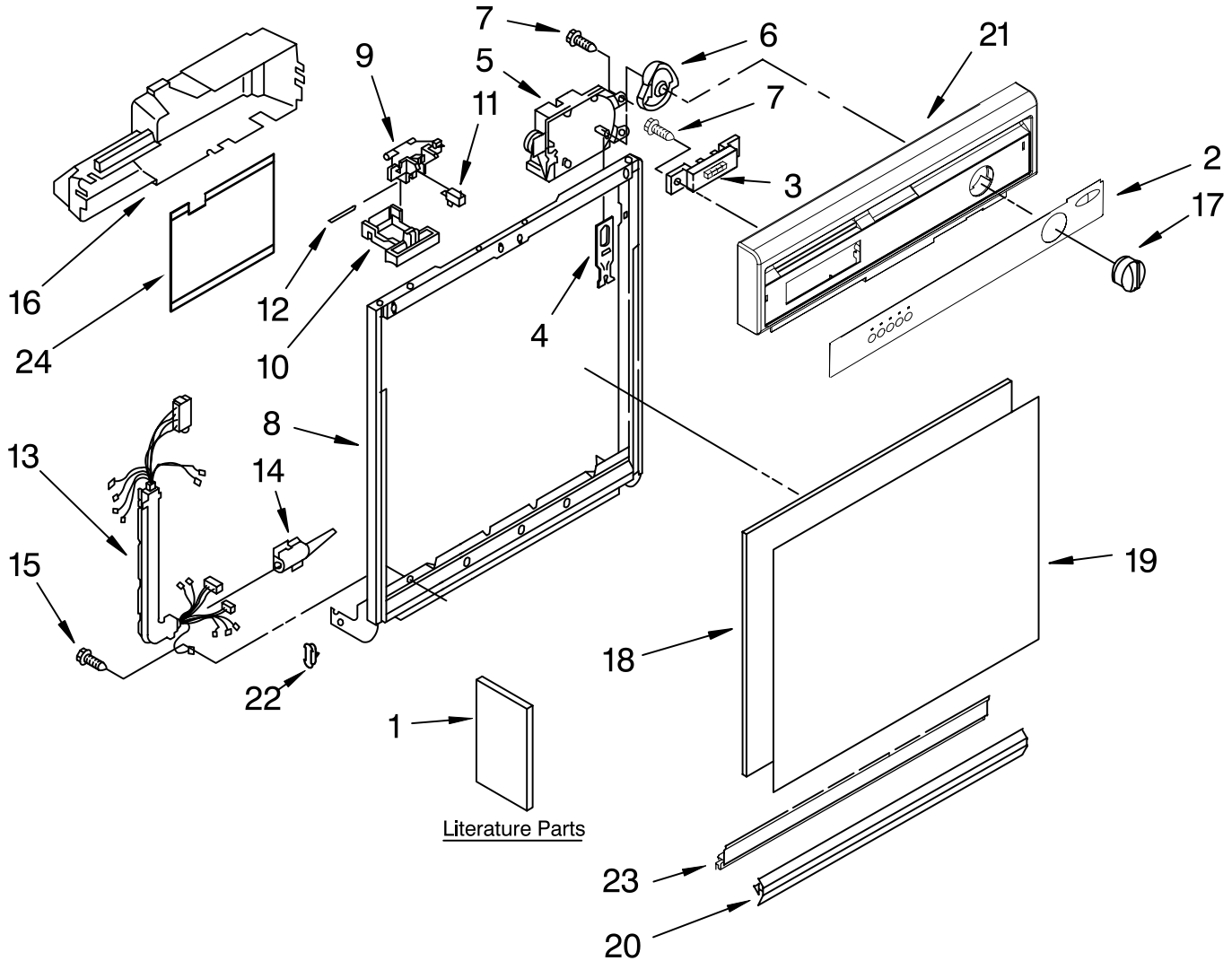




# FRAME AND CONSOLE PARTS

For Model: DP840SWSX0  
(White/Black)

PORTABLE  
DISHWASHER



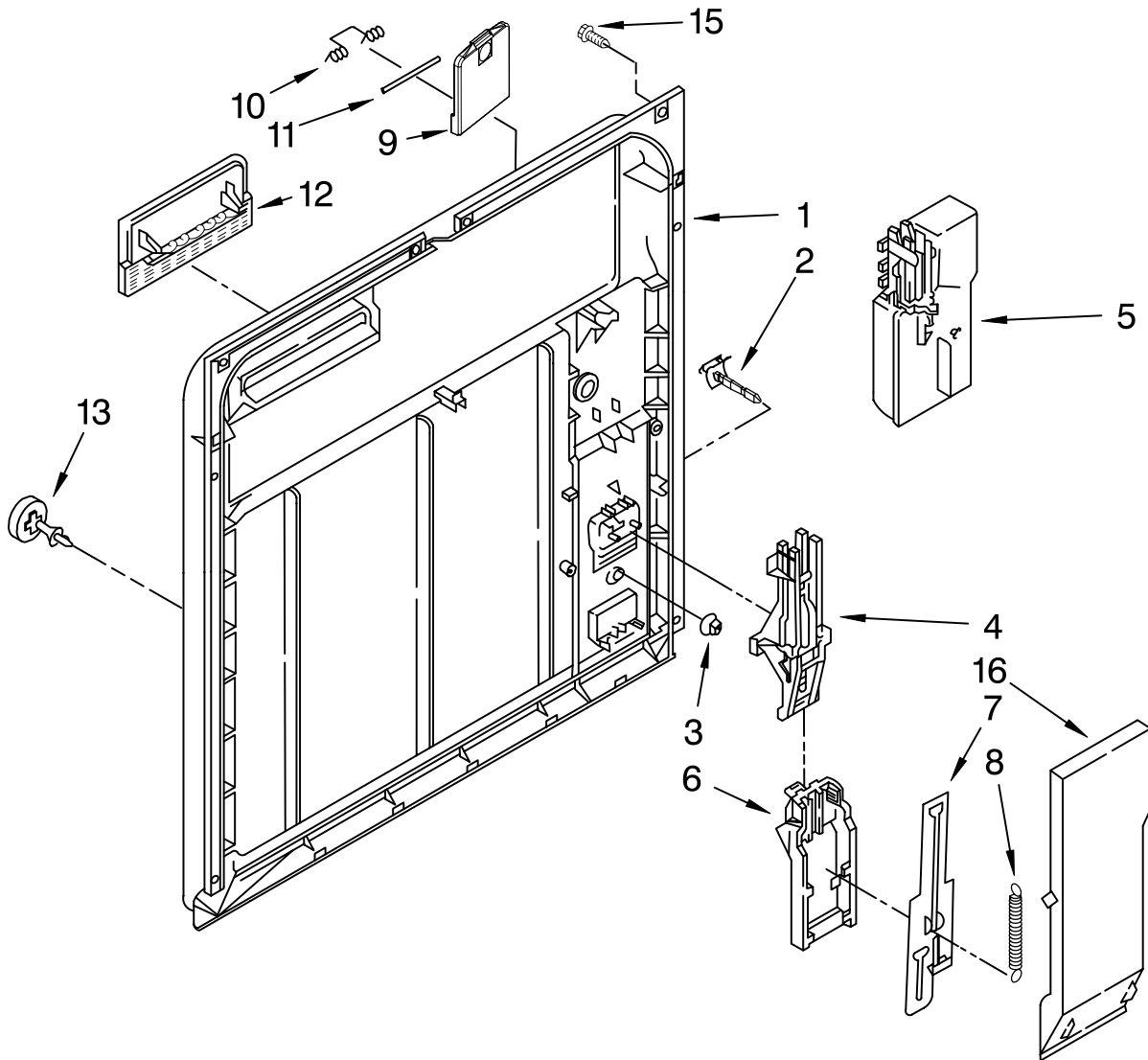
Literature Parts

Illus. No.	Part No.	DESCRIPTION	Illus. No.	Part No.	DESCRIPTION	Illus. No.	Part No.	DESCRIPTION
1		Literature Parts	7	304231	Screw, 8-18 x 1/2 (5)	18	3368979	Spacer
	8535418	Instructions, Installation	8	3374711	Door Frame (Includes Item 23)	19	3369769	Front Panel White/Black
	3367007	Instructions, Installation (Supplement) (Locating Your Water Supply)	9	3380854	Bolt, Latch	20	3374010	Retainer, Panel
	W10072930	Guide, Energy	10	3369457	Lever, Latch	21	W10072680	Console (Includes Item 2)
	W10102271	Guide, Use & Care	11	3369325	Switch, (2)	22	3373234	Bearing, Spring (2)
	8275134	Diagram, Wiring	12	3368955	Pin, Switch (2)	23	3374716	Channel, Retainer (Also Order Item #20)
2	W10102070	Insert, Console	13	8568324	Harness and Protector	24	3379671	Shield, Control Cover
3	8269365	Switch	14	3376405	Elbow, Harness			
4	3369529	Follower, Cam	15	3400892	Screw,			
5	8535372	Timer	16	8269526	Cover Control			
6	8271510	Cam	17	8275308	Knob, Timer			

FOR ORDERING INFORMATION REFER TO PARTS PRICE LIST

# INNER DOOR PARTS

For Model: DP840SWSX0  
(White/Black)



Illus. No.	Part No.	DESCRIPTION
1	8528310	Inner Door (Also Order Latch Door Kit 676413)
2	3376066	Latch, Detergent Dispenser
3	3369061	Snap, Detergent Dispenser
4	8519606	Actuator Assembly

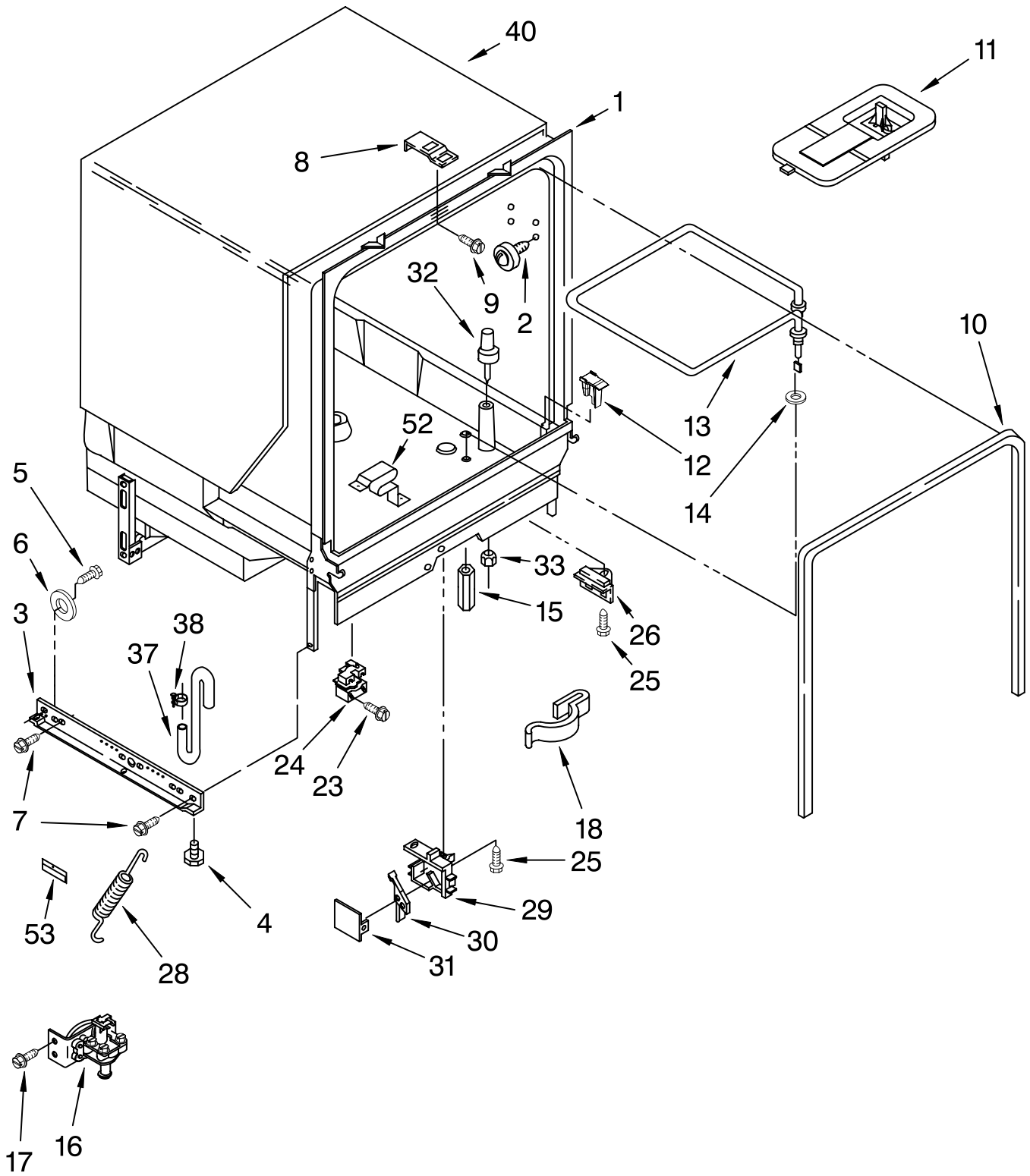
Illus. No.	Part No.	DESCRIPTION
5	8052027	Wet Agent, Dispenser
6	3369000	Draw Bar (Upper Dispenser)
7	8066017	Draw Bar (Lower Dispenser)
8	3368999	Spring (Draw Bar)

Illus. No.	Part No.	DESCRIPTION
9	3378138	Lid Assembly
10	8066018	Spring, Lid
11	3372028	Pin (Lid Hinge)
12	3371710	Screen, Vent
13	3378134	Cap, Wet-Agent
15	3400815	Screw (8)
16	3371569	Cover, Drip

FOR ORDERING INFORMATION REFER TO PARTS PRICE LIST

# TUB ASSEMBLY PARTS

For Model: DP840SWSX0  
(White/Black)



FOR ORDERING INFORMATION REFER TO PARTS PRICE LIST

# TUB ASSEMBLY PARTS

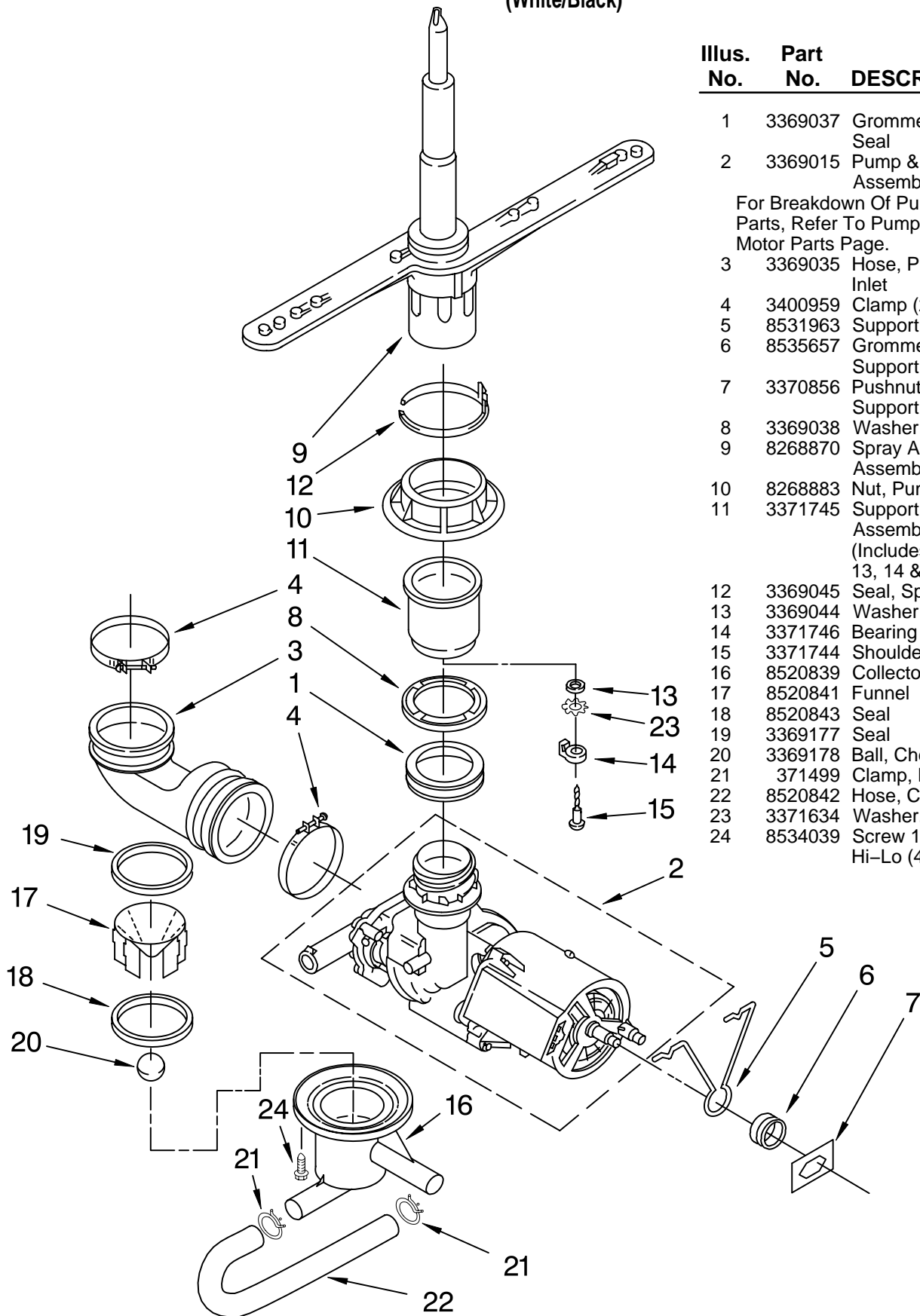
For Model: DP840SWSX0  
(White/Black)

<b>Illus. No.</b>	<b>Part No.</b>	<b>DESCRIPTION</b>
1	8533815	Tub and Support Assembly
2	8528831	Tub, Wheel Assembly (8)
3	3368933	Runner (2)
4	3374849	Leveler (2)
5	3370389	Screw, Shoulder (2)
6	302819	Wheel (2)
7	343641	Screw, 10-16 x 1/2 (4)
8	3378149	Plate, Latch
9	3374720	Screw
10	3376927	Gasket
11	3369322	Grate
12	8528862	Deflector (2)
13	8519827	Heater (Includes Item 14)
14	717273	Washer, Rubber (2)
15	8268548	Nut (2) (Heater Terminal)
16	8274220	Water Valve
17	304392	Screw
18	3400935	Clip
23	3370225	Screw
24	3369063	Relay
25	304231	Screw
26	3368928	Fuse, Thermal
28	3373228	Spring, Door (2)
29	8318218	Housing, Float Switch
30	3369067	Switch, Float
31	8318219	Cover, Switch Housing
32	8519552	Float
33	717488	Nut
37	3371030	Hose, Inlet
38	301958	Clamp
40	8573243	Sound Shield
52	3379740	Support, Heater
53	8052018	Friction Pad

FOR ORDERING INFORMATION REFER TO PARTS PRICE LIST

# PUMP AND SPRAY ARM PARTS

For Model: DP840SWSX0  
(White/Black)

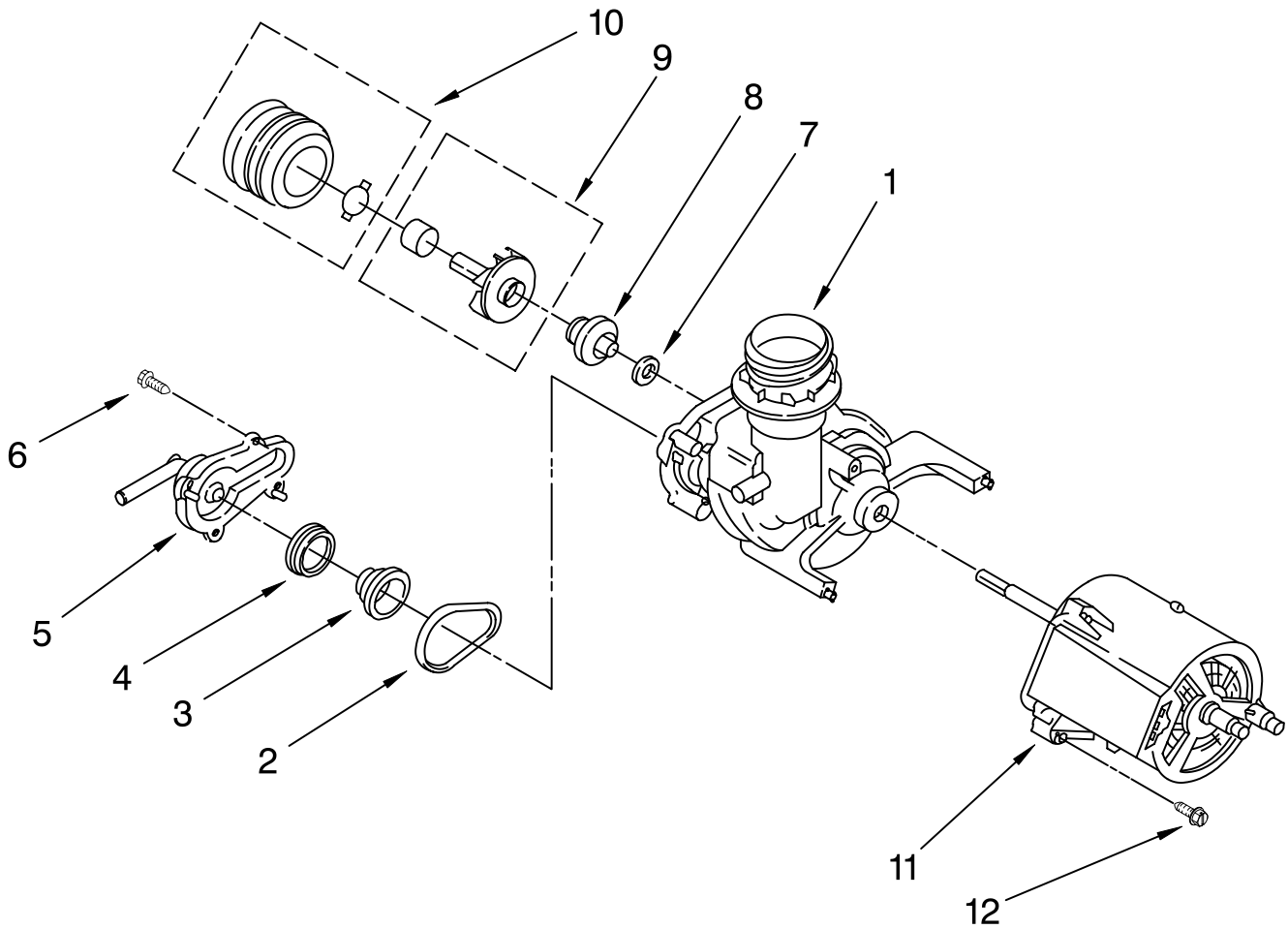


Illus. No.	Part No.	DESCRIPTION
1	3369037	Grommet, Pump Seal
2	3369015	Pump & Motor Assembly
For Breakdown Of Pump Parts, Refer To Pump And Motor Parts Page.		
3	3369035	Hose, Pump Inlet
4	3400959	Clamp (2)
5	8531963	Support, Motor
6	8535657	Grommet, Motor Support
7	3370856	Pushnut, Motor Support
8	3369038	Washer, Grommet
9	8268870	Spray Arm, Assembly Lower
10	8268883	Nut, Pump Outlet
11	3371745	Support & Bearing Assembly (Includes Items: 13, 14 & 15)
12	3369045	Seal, Split Ring
13	3369044	Washer
14	3371746	Bearing
15	3371744	Shoulder Screw
16	8520839	Collector
17	8520841	Funnel
18	8520843	Seal
19	3369177	Seal
20	3369178	Ball, Check-Valve
21	371499	Clamp, Hose
22	8520842	Hose, Collector
23	3371634	Washer, Curved
24	8534039	Screw 10-16, Hi-Lo (4)

FOR ORDERING INFORMATION REFER TO PARTS PRICE LIST

# PUMP AND MOTOR PARTS

For Model: DP840SWSX0  
(White/Black)

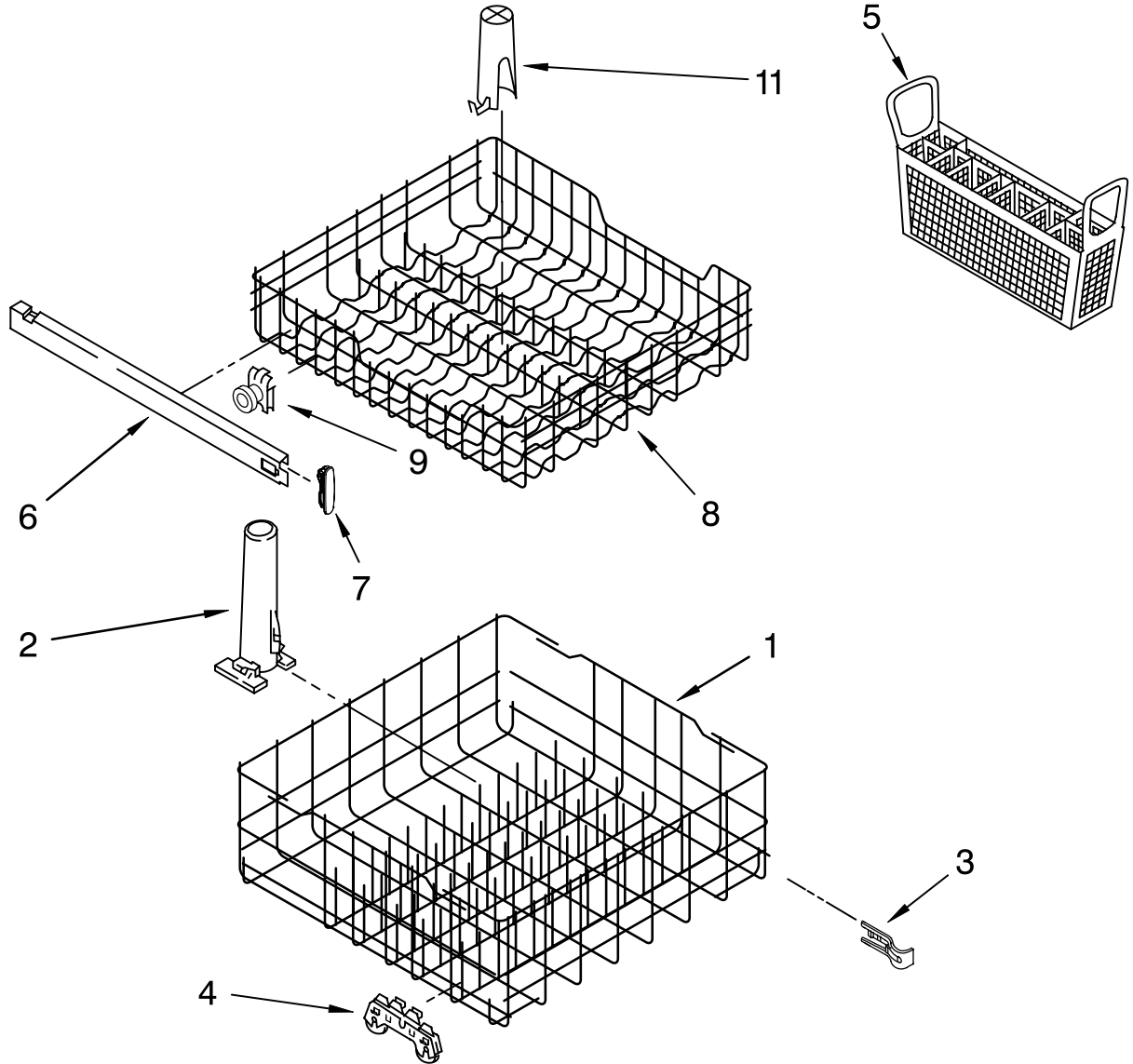


Illus. No.	Part No.	DESCRIPTION
1	8539225	Housing Assembly
2	3369031	Seal, Drain Cover
3	8563504	Diaphragm
4	3369029	Ring, Diaphragm
5	3369030	Cover, Drain Valve
6	3368921	Screw (4)
7	3369020	Seal Seat
8	3385557	Seal Head
9	3369013	Impeller & Bearing Assembly
10	3369012	Disk & Mount Assembly
11	8283457	Motor
12	3368922	Screw (3)

FOR ORDERING INFORMATION REFER TO PARTS PRICE LIST

# DISHRACK PARTS

For Model: DP840SWSX0  
(White/Black)



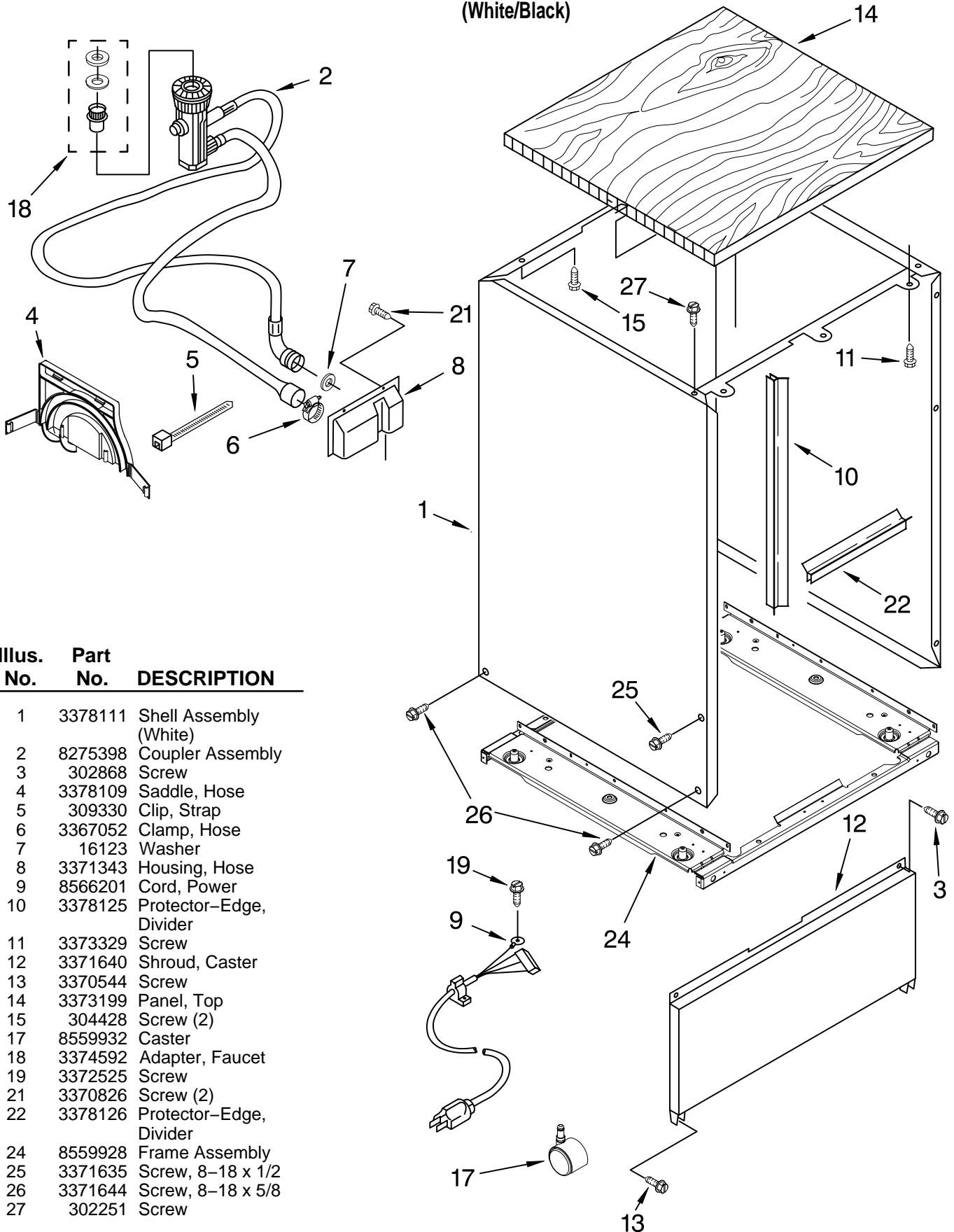
Illus. No.	Part No.	DESCRIPTION
------------	----------	-------------

1	8539225	Lower Dishrack Assembly
2	8268825	Tower, Protector
3	3385142	Bumper, Dishrack (2)
4	8268645	Wheel & Transport Assembly (4)
5	8268866	Basket, Silverware
6	3385089	Track, Dishrack (2)
7	8565920	Stop, Track (4)
8	8539222	Dishrack, Upper
9	8268852	Wheel & Axle Assembly (4)
11	8519550	Diffuser, Water

FOR ORDERING INFORMATION REFER TO PARTS PRICE LIST

# CABINET PARTS

For Model: DP840SWSX0  
(White/Black)



Illus. No.	Part No.	DESCRIPTION
1	3378111	Shell Assembly (White)
2	8275398	Coupler Assembly
3	302868	Screw
4	3378109	Saddle, Hose
5	309330	Clip, Strap
6	3367052	Clamp, Hose
7	16123	Washer
8	3371343	Housing, Hose
9	8566201	Cord, Power
10	3378125	Protector-Edge, Divider
11	3373329	Screw
12	3371640	Shroud, Caster
13	3370544	Screw
14	3373199	Panel, Top
15	304428	Screw (2)
17	8559932	Caster
18	3374592	Adapter, Faucet
19	3372525	Screw
21	3370826	Screw (2)
22	3378126	Protector-Edge, Divider
24	8559928	Frame Assembly
25	3371635	Screw, 8-18 x 1/2
26	3371644	Screw, 8-18 x 5/8
27	302251	Screw

FOR ORDERING INFORMATION REFER TO PARTS PRICE LIST



# OPTIONAL PARTS (NOT INCLUDED)

For Model: DP840SWSX0  
(White/Black)

Illus. No.	Part No.	DESCRIPTION
------------	----------	-------------

## ACCESSORIES

Side Panel Kits		
	4378867	White
	4378868	Black
	675788	Biscuit
	4378869	Almond
Custom Trim & Panel Kits		
	675775	Black
	675776	White
	675809	Biscuit
Moisture Barrier Kit		
	4396277	Kit
Drain Hose		
	3385556	12 Ft.
Heavy Duty Spring Kit		
	4318050	Spring

Illus. No.	Part No.	DESCRIPTION
------------	----------	-------------

## PAINT, TOUCH-UP (1/2oz.)

	72017	White
	72032	Black
	4392899	Biscuit

## PAINT, PRESSURIZED SPRAY (12 oz.)

	350930	White
	285006	Superior Black
	4392901	Biscuit

## PAINT, TOUCH-UP (1 qt.)

	799344	White (Uncut)
	4392900	Biscuit

## POWER CORD KIT

	4317824	Power Cord Kit (Includes Power Cord & Misc. Hardware)
--	---------	--

Illus. No.	Part No.	DESCRIPTION
------------	----------	-------------

## ANTI-TIP KIT

	4378968	Floor Mounting Kit
--	---------	--------------------

## DISHRACK REPAIR

Tip Tine Repair Kit (Enough for Two Complete Dishracks)		
--	--	--

	4396838	White
	4396840	Grey
	4396854	Silver Atlantis

Vinyl Touch-Up (4 oz.)		
------------------------	--	--

	676453	White
	676455	Grey
	4396853	Silver Atlantis

FOR ORDERING INFORMATION REFER TO PARTS PRICE LIST