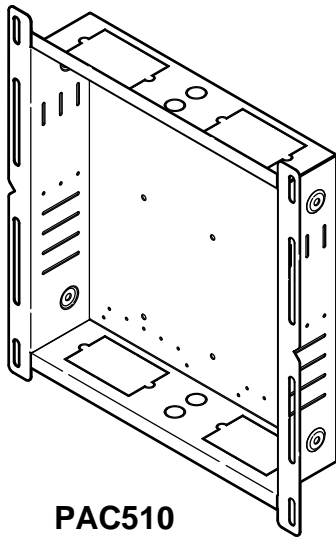
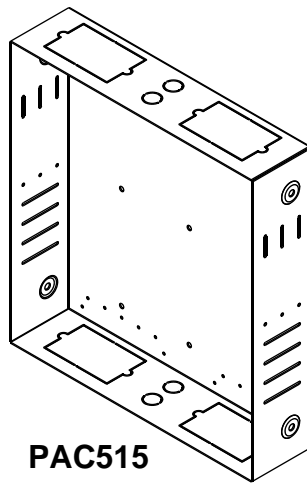
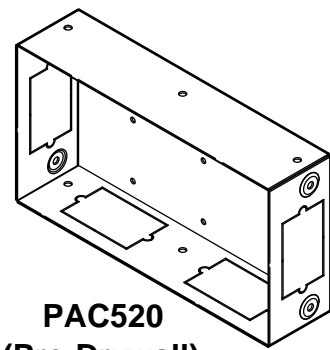

INSTALLATION INSTRUCTIONS



PAC510
(Post-Drywall)



PAC515
(Pre-Drywall)



PAC520
(Pre-Drywall)

IN WALL ACCESSORY BOX

DISCLAIMER

CSAV, Inc., and its affiliated corporations and subsidiaries (collectively, "CSAV"), intend to make this manual accurate and complete. However, CSAV makes no claim that the information contained herein covers all details, conditions or variations, nor does it provide for every possible contingency in connection with the installation or use of this product. The information contained in this document is subject to change without notice or obligation of any kind. CSAV makes no representation of warranty, expressed or implied, regarding the information contained herein. CSAV assumes no responsibility for accuracy, completeness or sufficiency of the information contained in this document.

IMPORTANT WARNINGS AND CAUTIONS!



WARNING: A WARNING alerts you to the possibility of serious injury or death if you do not follow the instructions.



CAUTION: A CAUTION alerts you to the possibility of damage or destruction of equipment if you do not follow the corresponding instructions.



WARNING: Failure to read, thoroughly understand, and follow all instructions can result in serious personal injury, damage to equipment, or voiding of factory warranty! It is the installer's responsibility to make sure all components are properly assembled and installed using the instructions provided.





CAUTION: This equipment must be installed and assembled by qualified service personnel in accordance with local building codes.

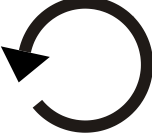



WARNING: Failure to provide adequate structural strength for this accessory can result in serious personal injury or damage to equipment! It is the installer's responsibility to make sure the structure to which this accessory is attached can support the combined weight of the box and all equipment not to exceed 10lbs (4.5kg).


LEGEND


	Tighten Fastener
	Apretar elemento de fijación
	Befestigungsteil festziehen
	Apertar fixador
	Serrare il fissaggio
	Bevestiging vastdraaien
Serrez les fixations	

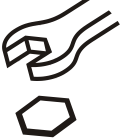
	Pencil Mark
	Marcar con lápiz
	Stiftmarkierung
	Marcar com lápis
	Segno a matita
	Potloodmerkten
Marquage au crayon	


	Loosen Fastener
	Aflojar elemento de fijación
	Befestigungsteil lösen
	Desapertar fixador
	Allentare il fissaggio
	Bevestiging losdraaien
Desserrez les fixations	


	Drill Hole
	Perforar
	Bohrloch
	Fazer furo
	Praticare un foro
	Gat boren
Percez un trou	


	Phillips Screwdriver
	Destornillador Phillips
	Kreuzschlitzschraubendreher
	Chave de fendas Phillips
	Cacciavite a stella
	Kruiskopschroevendraaier
Tournevis à pointe cruciforme	


	Adjust
	Ajustar
	Einstellen
	Ajustar
	Regolare
	Afstellen
Ajuster	


	Open-Ended Wrench
	Llave de boca
	Gabelschlüssel
	Chave de bocas
	Chiave a punte aperte
	Steeksleutel
Clé à fourche	

	Remove
	Quitar
	Entfernen
	Remover
	Rimuovere
	Verwijderen
Retirez	

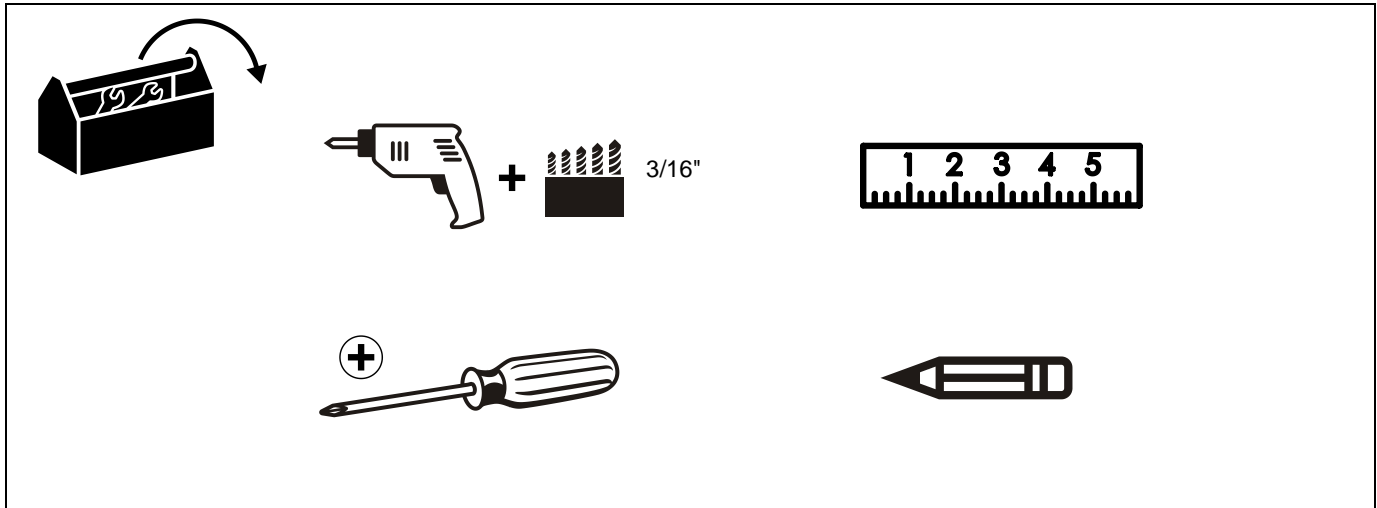
	By Hand
	A mano
	Von Hand
	Com a mão
	A mano
	Met de hand
À la main	

	Optional
	Opcional
	Optional
	Opcional
	Opzionale
	Optie
En option	

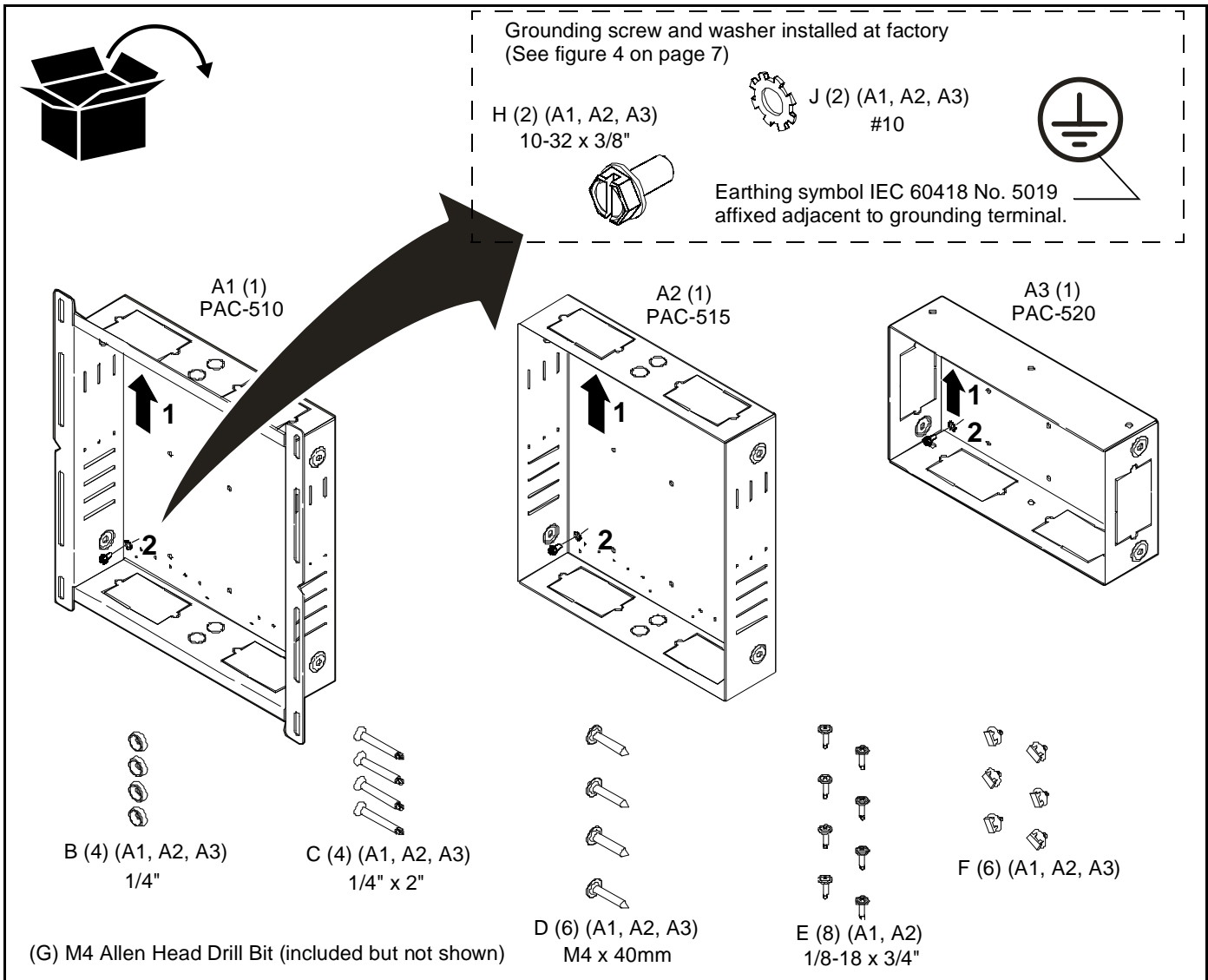
	Hex-Head Wrench
	Llave de cabeza hexagonal
	Sechskantschlüssel
	Chave de cabeça sextavada
	Chiave esagonale
	Zeskantsleutel
Clé à tête hexagonale	

	Security Wrench
	Llave de seguridad
	Sicherheitsschlüssel
	Chave de segurança
	Chiave di sicurezza
	Veiligheidssleutel
Clé de sécurité	

TOOLS REQUIRED FOR INSTALLATION



PARTS



INSTALLATION

The PAC-510 is intended for use in installations where an existing finished (drywalled) wall is present, and includes flanged edges to cover the cutout in wall. The PAC-515 and PAC-520 are intended for use in installations where the wall surface has not been finished and the structure (studs) is exposed. The PAC-515, and PAC-520 require the wall be finished around the opening of the box after the box has been installed.



WARNING: IMPROPER INSTALLATION CAN RESULT DEATH OR SERIOUS PERSONAL INJURY! This accessory should be installed by qualified personnel.

PAC-510 Site Preparation

Locate and Prepare Mounting Site

1. Identify a suitable wall location for the accessory.

IMPORTANT ! : The PAC-510, 515, AND 520 are designed for in-wall installation between two wood or steel studs, 16" on center. Inadequate space will remain on each side between studs for electrical wires/cables, plumbing, ductwork, or insulation. Locate accordingly!



WARNING: ELECTRICAL SHOCK HAZARD! CUTTING OR DRILLING INTO ELECTRICAL WIRES OR CABLES CAN CAUSE DEATH OR SERIOUS PERSONAL INJURY! ALWAYS make certain area behind

mounting surfaces is free of electrical wires and cables before cutting, drilling, or installing fasteners.



WARNING: EXPLOSION AND FIRE HAZARD! CUTTING OR DRILLING INTO GAS PLUMBING CAN CAUSE DEATH OR SERIOUS PERSONAL INJURY! ALWAYS make certain area behind mounting surfaces is free of gas, water, waste, or any other plumbing before cutting, drilling, or installing fasteners.

2. Using a stud sensor, locate and mark studs.
3. Center and level housing between marked studs.
4. Using housing as a template, draw pencil line completely around housing.

NOTE: Housing is designed to fit between and directly against two adjacent wall studs.

5. Using a measuring tool, measure the marked area and compare to the dimensions shown in figure 1 below. If measurements match continue to step 6 if not adjust markings to match dimensions in figure 1 below.
6. Cut drywall on *outside* edge of line and remove.

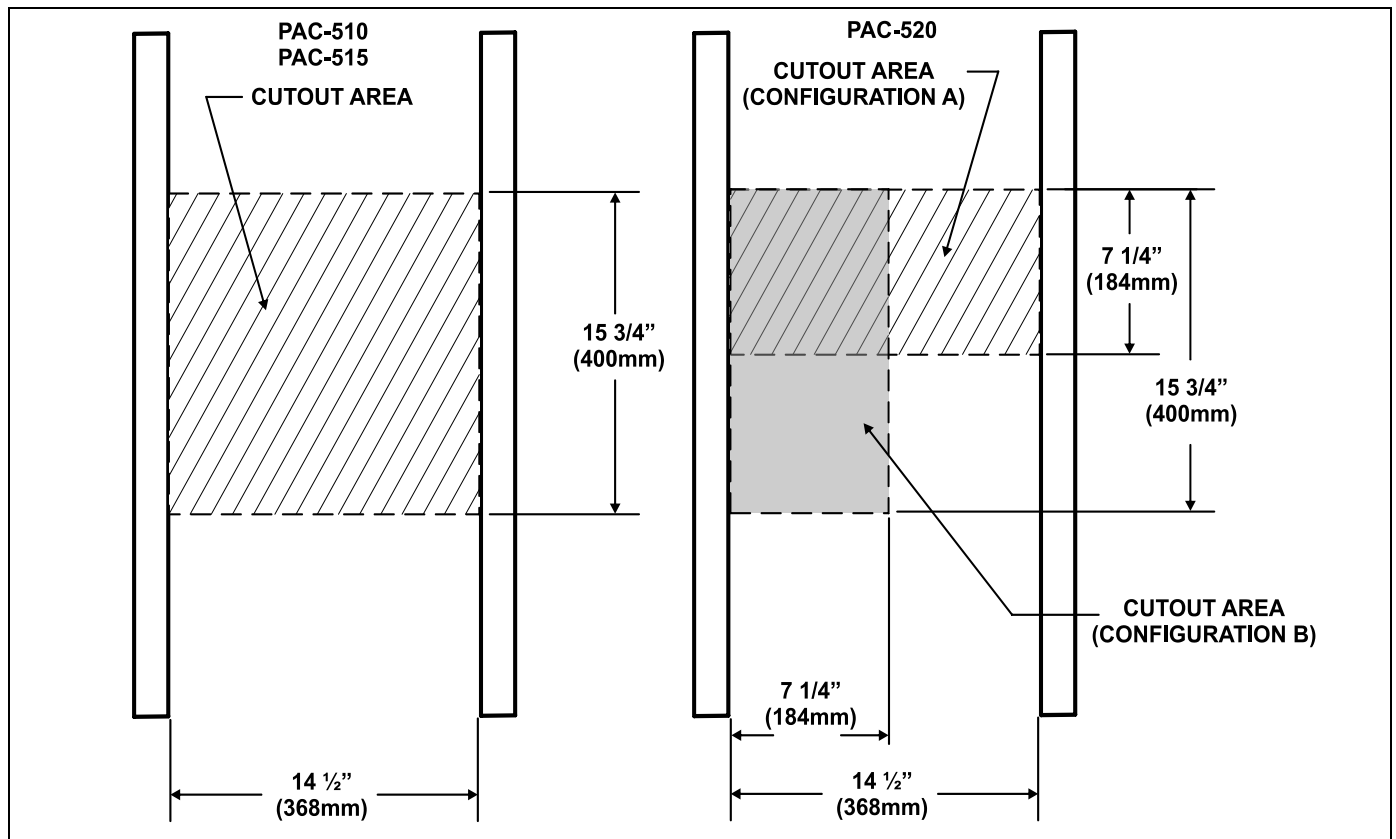


Figure 1

Accessory Box Installation

1. Insert accessory box into opening, if installing PAC510 or PAC515, or position PAC520 in desired mounting location.

⚠ WARNING: ELECTRICAL SHOCK HAZARD! CUTTING OR DRILLING INTO ELECTRICAL WIRES OR CABLES CAN CAUSE DEATH OR SERIOUS PERSONAL INJURY! ALWAYS make certain area behind mounting surfaces is free of electrical wires and cables before cutting, drilling, or installing fasteners.

2. Secure accessory box to studs by:

WOOD STUD:

1. drill four 3/16" dia. pilot holes in studs at mounting holes.
2. install four M4 x 40mm Allen head connector screws into pilot holes using an M4 Allen head drill bit (provided).

STEEL STUD:

1. drill four 3/16" dia. pilot holes in studs at mounting holes.
2. install four 1/4" countersunk finishing washers and four 1/4" x 2" Phillips flat head self drilling screws into pilot holes.

NOTE: When installing PAC520 in configuration B the quantity of hardware changes to three for both wood and steel stud installations.

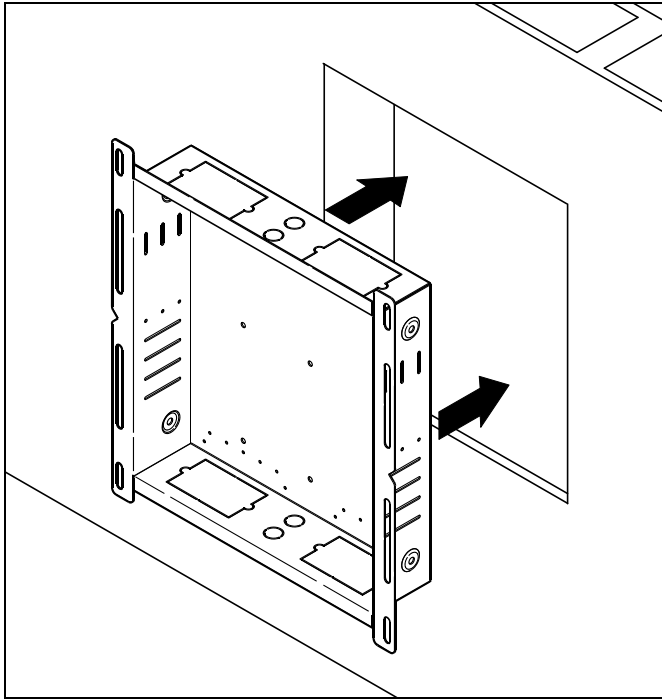


Figure 2

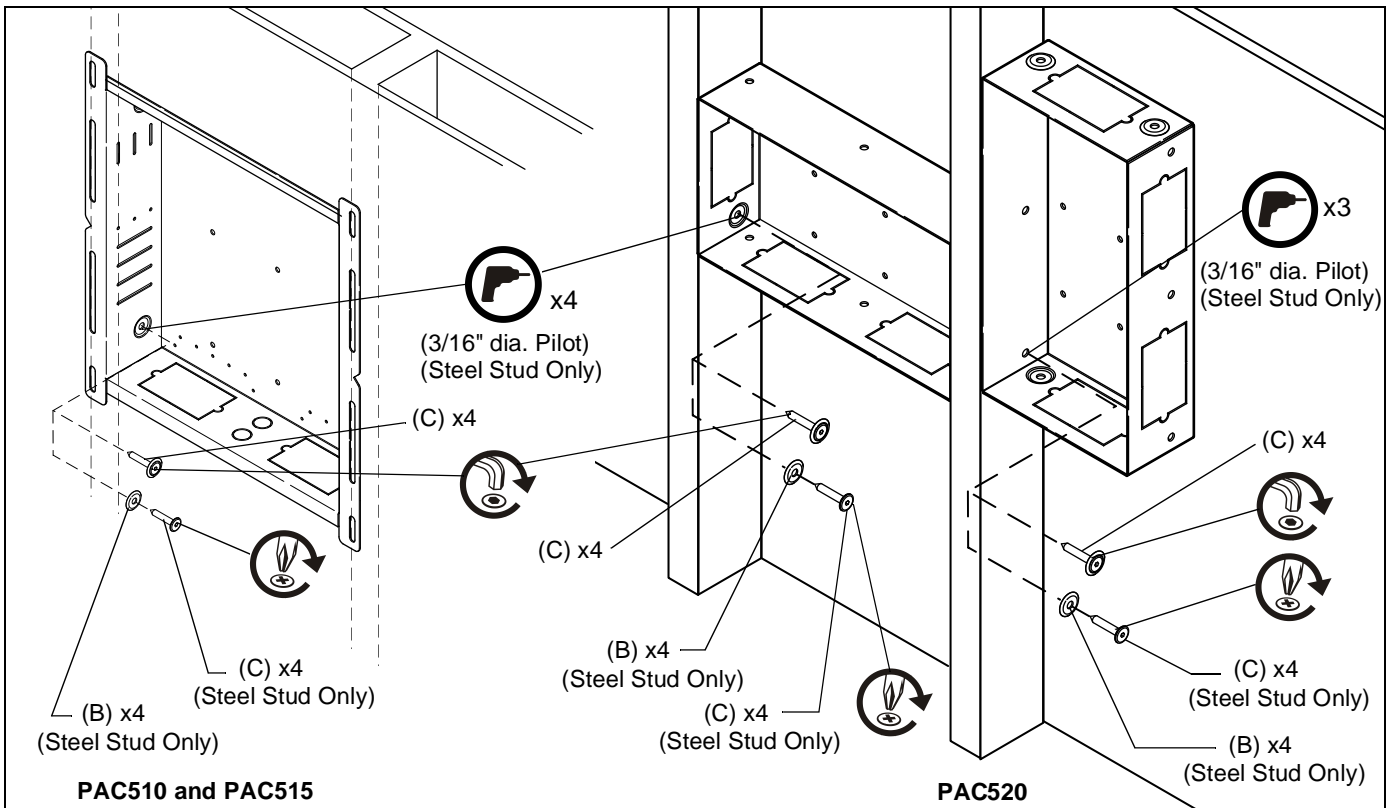


Figure 3



DANGER: IMPROPER WIRING CAN LEAD TO DEATH OR SEVERE PERSONAL INJURY! Grounding must be installed by qualified personnel using a UL Recognized No. 12AWG Green and Yellow grounding wire connected to grounding lug on mount.

Installing Accessories

Accessories can be mounted directly to the PAC510, PAC515, and PAC520 by using the mounting screws provided and the mounting holes intergrated into the box.

To mount an accessory:

1. Identify area within accessory box that accessory is to be mounted.
2. Align the mounting holes in accessory with mounting holes in box.
3. Secure accessory to box using Phillips screwdriver and as many 1/8-18 x 3/4" mounting screws (8 provided) as required.

NOTE: The top and bottom slots in the side flanges of PAC510 are designed to hall at the center of the studs on 16" centers. When installing a mount over the top of PAC510, align mounting holes in mount with top and bottom slots in side flanges and secure using hardware specified in the Installation Instructions provided with the mount.

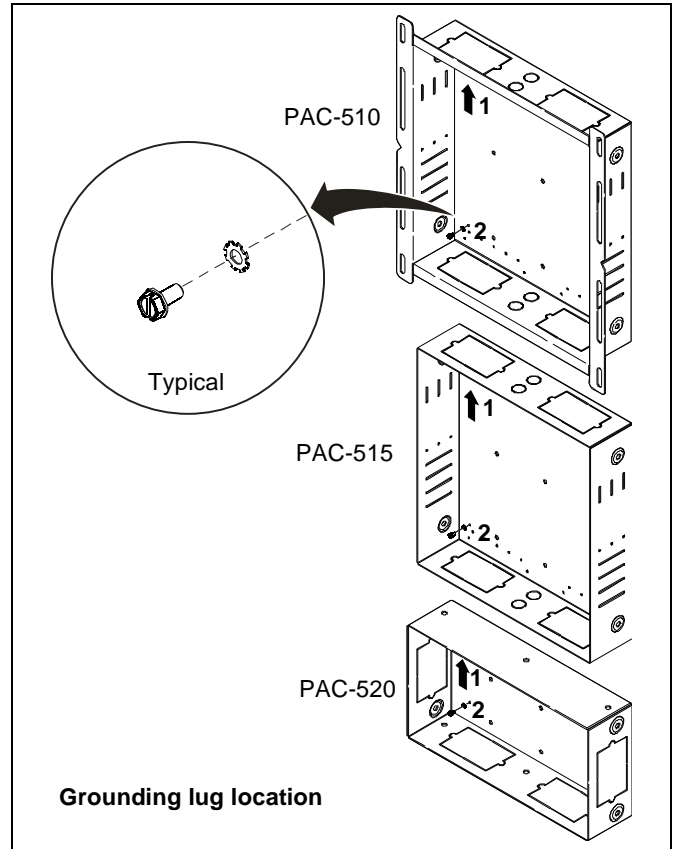


Figure 4

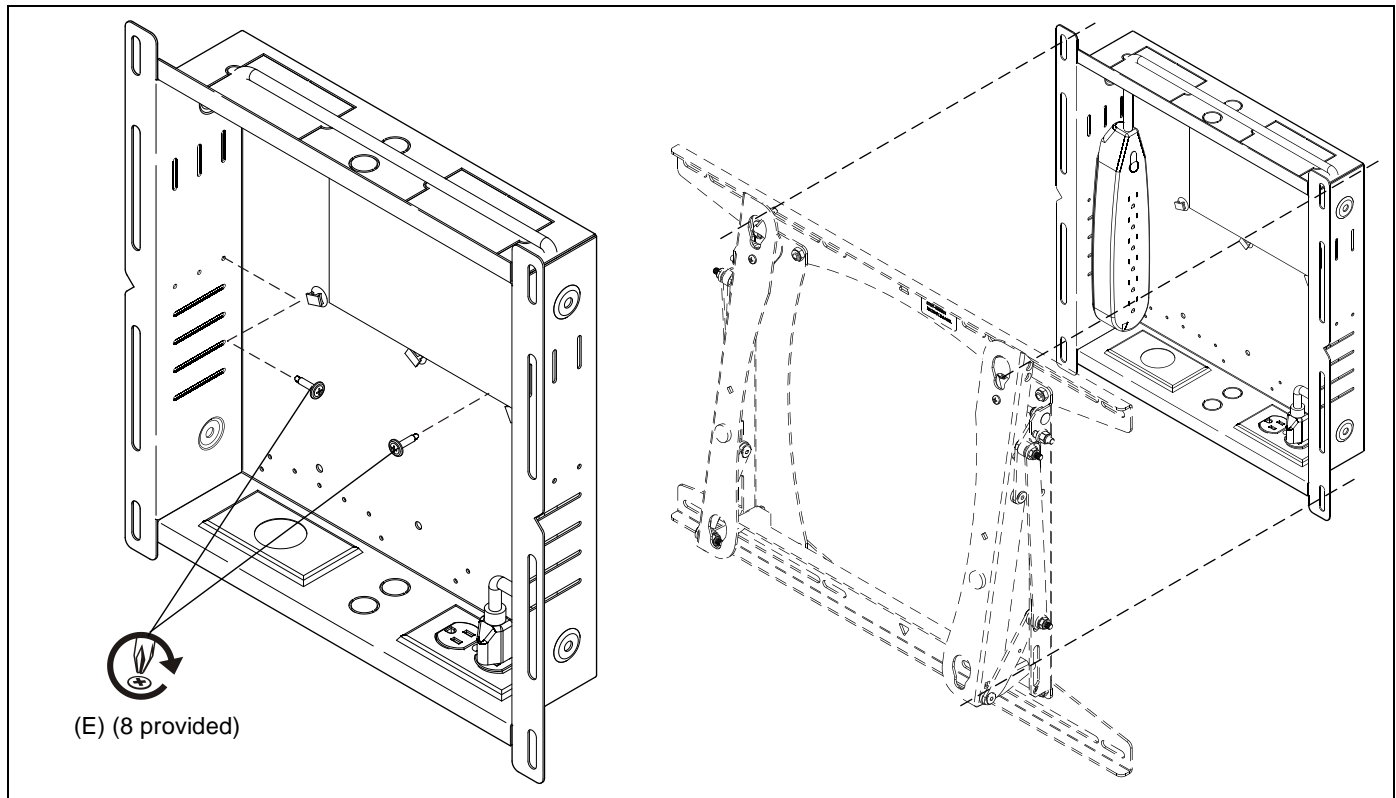


Figure 5



8807-000054 RevA
©2007 Chief Manufacturing
www.chiefmfg.com
04/07

USA/International	A 8401 Eagle Creek Parkway, Savage, MN 55378 P 800.582.6480 / 952.894.6280 F 877.894.6918 / 952.894.6918
Europe	A Fellenoord 130 5611 ZB EINDHOVEN, The Netherlands P 31 (0)20 5708923 F 31 (0)20 5708989
Asia Pacific	A Room 30I, Block D, Lily YinDu International Building LuoGang, BuJi Town, Shenzhen, CHINA. Post Code: 518112 深圳市布吉罗岗百合银都国际大厦D栋30I P +86-755-8996 9226 ; 8996 9236 ; 8996 9220 F +86-755-8996 9217