

JVC

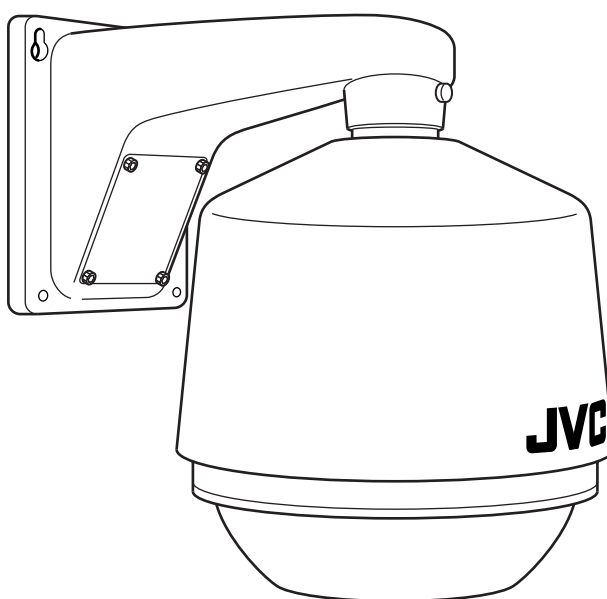
OUTDOOR HOUSING

WB-1540U

WB-1550U

INSTRUCTIONS

(B) WB-1550U only



For Customer Use:

Enter below the Serial No. which is located on the body.
Retain this information for future reference.

Model No. WB-1540U/WB-1550U

Serial No. _____

These are general IMPORTANT SAFEGUARDS and certain items may not apply to all appliances.

IMPORTANT SAFEGUARDS

1. Read all of these instructions.
2. Save these instructions for later use.
3. All warnings on the product and in the operating instructions should be adhered to.
4. Unplug this appliance system from the wall outlet before cleaning. Do not use liquid cleaners or aerosol cleaners. Use a damp cloth for cleaning.
5. Do not use attachments not recommended by the appliance manufacturer as they may cause hazards.
6. Do not use this appliance near water - for example, near a bathtub, washbowl, kitchen sink, or laundry tub, in a wet basement, or near a swimming pool, etc.
7. Do not place this appliance on an unstable cart, stand, or table. The appliance may fall, causing serious injury to a child or adult, and serious damage to the appliance may fall, causing serious injury to a child or adult, and serious damage to the appliance.

PORTABLE CART WARNING
(symbol provided by RETAC)



S3125A

- Use only with a cart or stand recommended by the manufacturer, or sold with the appliance. Wall or shelf mounting should follow the manufacturer's instructions, and should use a mounting kit approved by the manufacturer. An appliance and cart combination should be moved with care. Quick stops, excessive force, and uneven surfaces may cause the appliance and cart combination to overturn.
8. Slots and openings in the cabinet and the back or bottom are provided for ventilation, and to insure reliable operation of the appliance and to protect it from overheating, these openings must not be blocked or covered. The openings should never be blocked by placing the appliance on a bed, sofa, rug, or other similar surface. This appliance should never be placed near or over a radiator or heat register. This appliance should not be placed in a built-in installation such as a bookcase unless proper ventilation is provided.
 9. This appliance should be operated only from the type of power source indicated on the marking label. If you are not sure of the type of power supplied to your home, consult your dealer or local power company. For appliance designed to operate from battery power, refer to the operating instructions.
 10. For added protection for this product during a lightning storm, or when it is left unattended and unused for long periods of time, unplug it from the wall outlet and disconnect the antenna or cable system. This will prevent damage to the product due to lightning and power-line surges.
 11. Do not allow anything to rest on the power cord. Do not locate this appliance where the cord will be abused by persons walking on it.
 12. Follow all warnings and instructions marked on the appliance.
 13. Do not overload wall outlets and extension cords as this can result in fire or electric shock.
 14. Never push objects of any kind into his appliance through cabinet slots as they may touch dangerous voltage points or short out parts that could result in a fire or electric shock. Never spill liquid of any kind on the appliance.
 15. Do not attempt to service this appliance yourself as opening or removing covers may expose you to dangerous voltage or other hazards. Refer all servicing to qualified service personnel.
 16. Unplug his appliance from the wall outlet and refer servicing to qualified service personnel under following conditions:
 - a. When the power cord or plug is damaged or frayed.
 - b. If liquid has been spilled into the appliance.
 - c. If the appliance has been exposed to rain or water.
 - d. If the appliance does not operate normally by following the operating instructions. Adjust only those controls that are covered by the operating instructions as improper adjustment of other controls may result in damage and will often require extensive work by a qualified technician to restore the appliance to normal operation.
 - e. If the appliance has been dropped or the cabinet has been damaged.
 - f. When the appliance exhibits a distinct change in performance - this indicates a need for service.
 17. When replacement parts are required, be sure the service technician has used replacement parts specified by the manufacturer that have the same characteristics as the original part. Unauthorized substitutions may result in fire, electric shock, or other hazards.
 18. Upon completion of any service or repairs to this appliance, ask the service technician to perform routine safety checks to determine that the appliance is in safe operating condition.

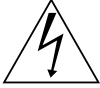
For USA and CANADA



CAUTION
RISK OF ELECTRIC SHOCK
DO NOT OPEN



CAUTION: TO REDUCE THE RISK OF ELECTRIC SHOCK.
DO NOT REMOVE COVER (OR BACK).
NO USER SERVICEABLE PARTS INSIDE.
REFER SERVICING TO QUALIFIED SERVICE PERSONNEL.



The lightning flash with arrowhead symbol, within an equilateral triangle, is intended to alert the user to the presence of uninsulated "dangerous voltage" within the product's enclosure that may be of sufficient magnitude to constitute a risk of electric shock to persons.



The exclamation point within an equilateral triangle is intended to alert the user to the presence of important operating and maintenance (servicing) instructions in the literature accompanying the appliance.

INFORMATION FOR USA

■ INFORMATION

This equipment has been tested and found to comply with the limits for a Class B digital device, pursuant to Part 15 of the FCC Rules.

These limits are designed to provide reasonable protection against harmful interference in a residential installation. This equipment generates, uses, and can radiate radio frequency energy and, if not installed and used in accordance with the instructions, may cause harmful interference to radio communications. However, there is no guarantee that interference will not occur in a particular installation.

If this equipment does cause harmful interference to radio or television reception, which can be determined by turning the equipment off and on, the user is encouraged to try to correct the interference by one or more of the following measures:

- Reorient or relocate the receiving antenna.
- Increase the separation between the equipment and receiver.
- Connect the equipment into an outlet on a circuit different from that to which the receiver is connected.
- Consult the dealer or an experienced radio/TV technician for help.

■ CAUTION

CHANGES OR MODIFICATIONS NOT APPROVED BY JVC
COULD VOID USER'S AUTHORITY TO OPERATE THE
EQUIPMENT.

THIS DEVICE COMPLIES WITH PART 15 OF THE FCC RULES.
OPERATION IS SUBJECT TO THE FOLLOWING TWO CONDITIONS: (1)
THIS DEVICE MAY NOT CAUSE HARMFUL INTERFERENCE, AND (2)
THIS DEVICE MUST ACCEPT ANY INTERFERENCE RECEIVED,
INCLUDING INTERFERENCE THAT MAY CAUSE UNDESIRABLE
OPERATION.

INFORMATION (FOR CANADA) RENSEIGNEMENT (POUR LE CANADA)

This Class [B] digital apparatus complies with Canadian ICES-003.
Cet appareil numérique de la classe [B] est conforme à la norme
NMB-003 du Canada.

Due to design modification, data given in this instruction book are subject to possible change without prior notice.

Getting Started

Thank you for purchasing this product. (These instructions are for WB-1540U/ WB-1550U)

Before beginning to operate this unit, please read the instruction manual carefully in order to make sure that the best possible performance is obtained.

The compatible cameras for each housing are as follows:

- WB-1540U: TK-C625U/E, VN-C625U
- WB-1550U: TK-C676E, TK-C655E, VN-C655U

Table of Contents

Getting Started

Table of Contents	4
Operating Precautions	4
System Example	5
VN-C625U and VN-C655U Systems	5
TK-C625U/E, TK-C655E and TK-C676E Systems	5
Installation and Connection (WB-1540U)	
Disassembling the Housing	6
Mounting the Camera	6
TK-C625U/E	6
VN-C625U	7
Assembling the Housing	8
Mounting the Housing to the wall	8

Installation and Connection (WB-1550U)

Disassembling the Housing	10
Procedures Before Mounting the Camera	10
Mounting the Camera	11
TK-C655E and TK-C676E	11
VN-C655U	12
Assembling the Housing	13
Mounting the Housing to the wall	13
Others	
Specifications	15
WB-1540U	15
WB-1550U	15

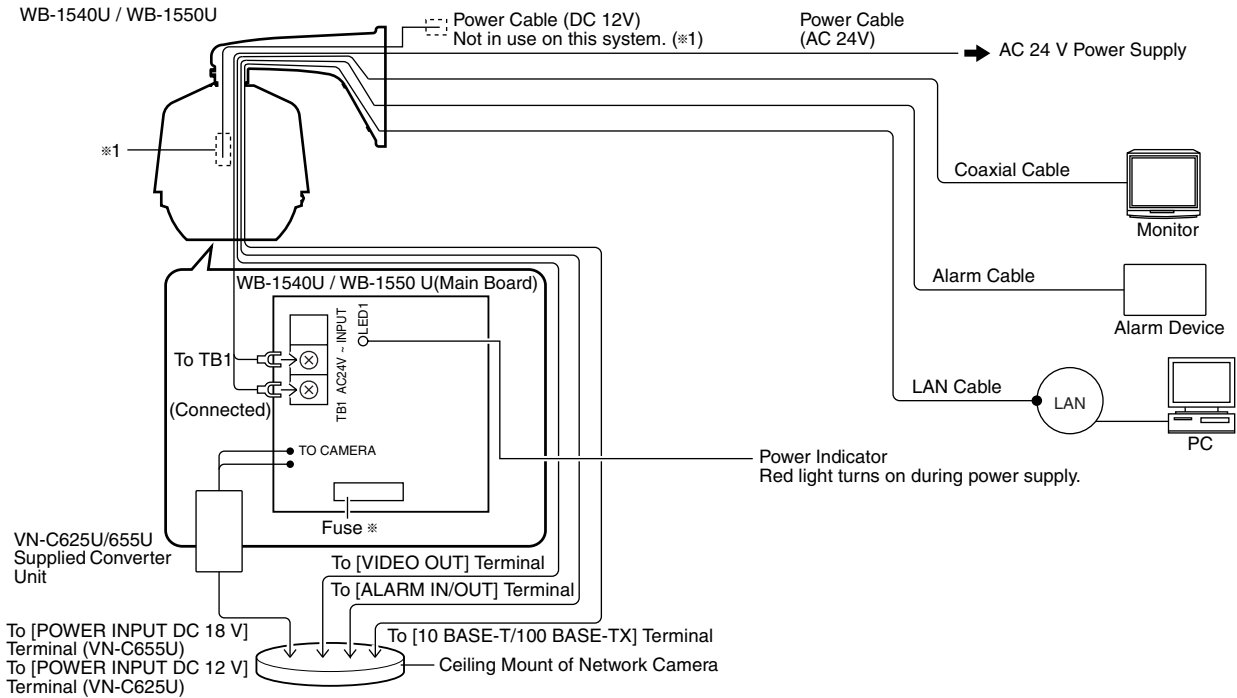
Operating Precautions

- Depending on the installation environment of this unit, the life span of the attached camera may decrease significantly. Give close attention to the installation location (especially if used continuously under high temperature or in locations constantly exposed to direct sunlight).
- As the interior of this unit will heat up, be sure to use San Disk (industrial) if loading the CF card to VN-C625U.
- This unit may stop functioning properly due to natural hazards as it is to be installed outdoors. To take photographs properly, be sure to perform daily checks.
- Do not install this unit in locations with sharp temperature changes, such as near air-con compressors or exhaust-pipes. Condensation may occur inside the attached combination camera.
- To save energy, switch off the system when not in use.
- For safety reasons special techniques are necessary for installation. Consult your dealer regarding installation, and ensure that it is carried out by a specialist.
- Be sure to mount the safety wire for safety purposes. If it falls, it may cause injury or accidents.
- Taking vibrations, mass and wind force into account, ensure to mount in a location with sufficient strength using solid anchor bolts. If reinforced or spiral nuts are not tightened enough, picture blurring may occur on the monitor screen due to vibration, and in the worst case there is a danger of falling.
- Use at the voltage indicated. A voltage other than that displayed may result in fire or electric shocks.
- This unit supports lightning conduction to the connection cable to some extent, but not fully. At installation locations where there may be a lightning hazard, be sure to add an arrester to the connection cable or take other precautions.
- Do not dangle, shake, or hook objects. If too much load is placed on top, it may fall and cause injury or accidents.
- If a ball or bird hits this unit, bringing about some sort of trouble, consult your dealer or the nearest Victor service center.
- Do not modify this unit yourself. Accidents may result.
- Do not install in locations where there may be vibrations or impact. If it falls, it may cause injury or accidents.
- Regularly check for the deterioration of attaching parts and the loosening of the screws caused by vibrations. If it falls, it may cause injury or accidents.
- Do not install in locations where radiation, X-rays, or corrosive gases are emitted. Doing so may cause the camera to malfunction.
- Keep all packaging out of the reach of children. If used for play, it may cause injury or suffocation.

■ This installation should be made by a qualified service person and should conform to all local codes and the National Electrical Code , ANSI/NFPA 70.

System Example

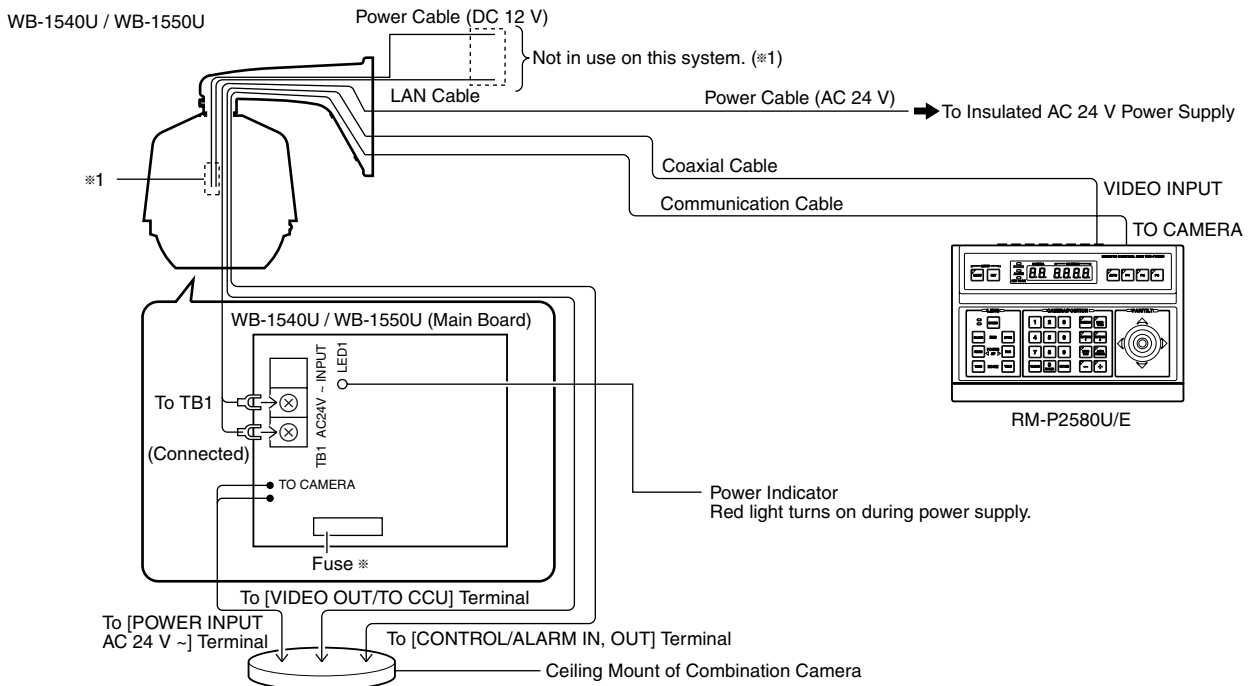
VN-C625U and VN-C655U Systems



CAUTION:

- *1: Not in use on this system. Ensure to bind both ends of cables that are not in use with insulating tape.
- *2: Power will not be supplied to this unit and the installed camera when the fuse on the main board burns out. When this occurs, please consult your nearby JVC dealer as exchange of fuse according to the rating (125 V – 5 A) will be required.

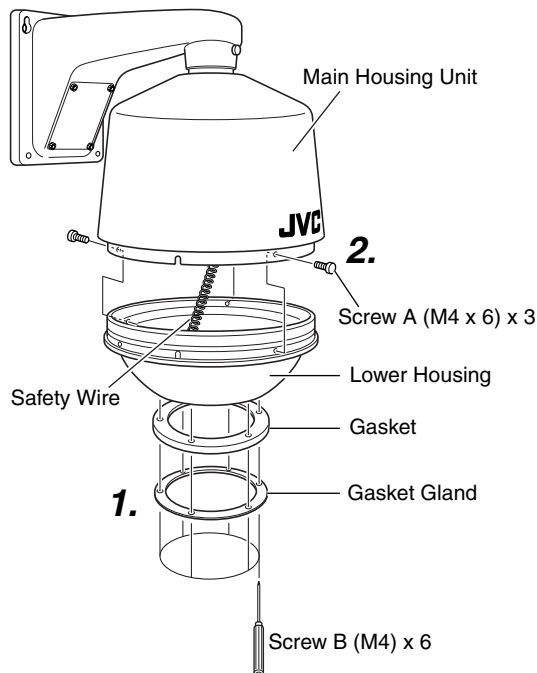
TK-C625U/E, TK-C655E and TK-C676E Systems



CAUTION:

- Ensure to turn of the power of devices in use before connecting.
- Refer to the instruction manual for the combination camera that is supplied with this unit as well during connection and installation.
- *1: Not in use on this system. Ensure to bind both ends of cables that are not in use with insulating tape.
- *2: Power will not be supplied to this unit and the installed camera when the fuse on the main board burns out. When this occurs, please consult your nearby JVC dealer as exchange of fuse according to the rating (125 V – 5 A) will be required.

Disassembling the Housing



1. Dismantle the gasket and gasket gland

Loosen the 6 Screws B (M4) using a driver, followed by dismantling the gasket and gasket gland from the lower housing.

※ The 6 Screws B (M4) cannot be totally removed from the gasket to prevent it from falling off.

2. Dismantle the lower housing

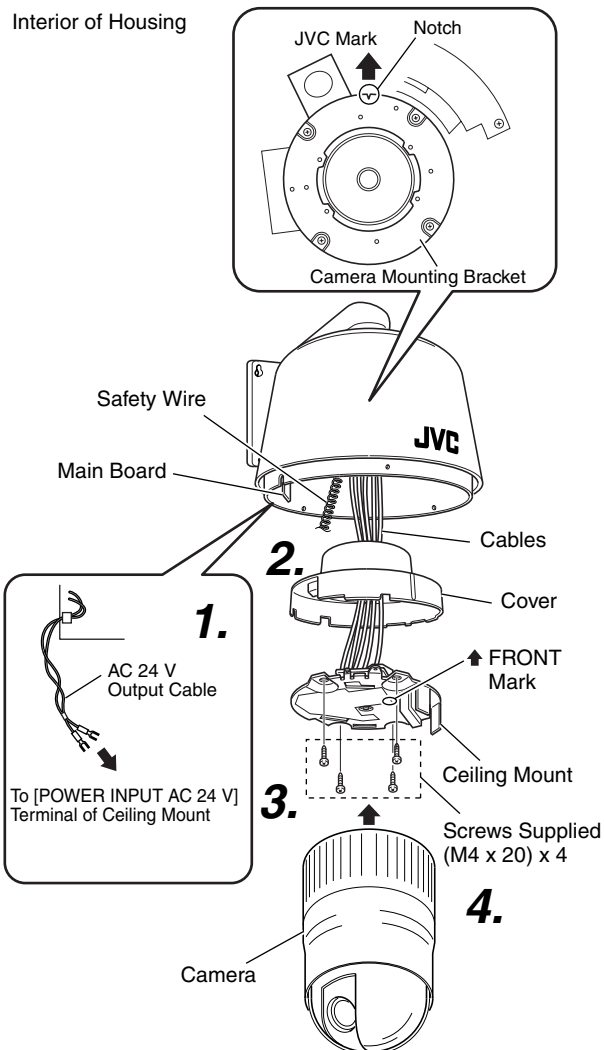
Loosen the 3 Screws A (M4 x 6) using a driver, followed by dismantling the lower housing from the main housing unit.

※ The lower housing is connected to the main housing unit using a safety wire.

CAUTION:

Pay careful attention to store the dismantled parts and screws until assembly is complete to prevent them from being misplaced.

Mounting the Camera (TK-C625U/E)



Before mounting.

Remove the ceiling mount cover of the camera and guide the cables supplied with WB-1540U through the cover.

※ For further details, please refer to the instruction manual of the camera in use.

1. Connect the AC 24 V output cable to the camera

Connect the AC 24 V output cable of the main board to the camera's ceiling mount bracket.

2. Connect other cables

Connect the necessary cables supplied with the housing (coaxial video cable, communication cable, etc.) to the ceiling mount.

CAUTION:

- Connect the communication cable to the [ALARM IN/OUT] and [CONTROL] terminals if necessary. For safety reasons, ensure to cut off any excess cable and bind using an insulating tape before use.
- For further details on connection, please refer to the instruction manual of the camera in use.
- Ensure to bind connectors of LAN cables and DC 12 V Power Cable that are not in use with an insulating tape before use.

3. Mount the camera's ceiling mount to the main housing unit.

Use the 4 screws supplied (M4 x 20) to mount the ceiling mount to the main housing unit.

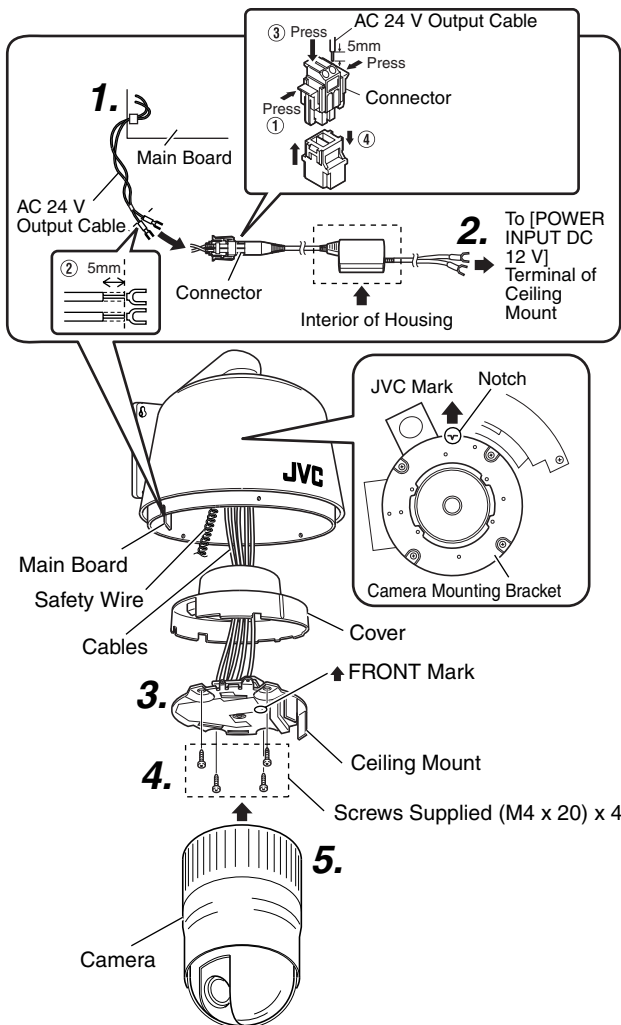
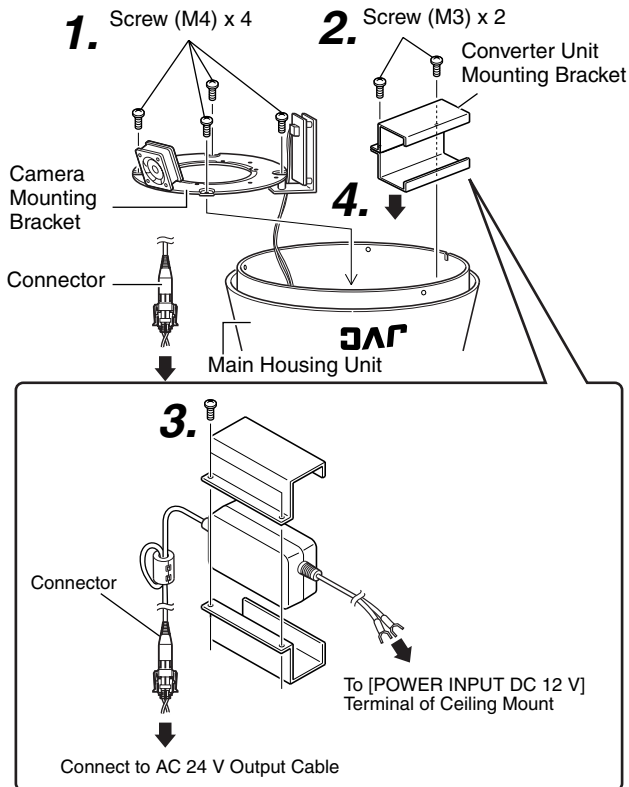
NOTE:

During mounting, align the [↑ FRONT] Mark of the ceiling mount with the notch on the camera mount bracket of the main housing unit.

4. Mount the camera to the ceiling mount

Follow instructions in the manual of the camera in use to mount the camera to the ceiling mount.

Mounting the Camera (VN-C625U)



Preparation

- 1. Dismantle the camera mounting bracket**
Loosen the screws on the camera mounting bracket (M4, 4 pcs) using a driver to dismantle it.
- 2. Dismantle the converter unit mounting bracket**
Loosen the screws on the converter unit mounting bracket (M3, 2 pcs) using a driver to dismantle it.
- 3. Mount the converter unit to the housing**
Clamp the converter unit using the converter unit mounting bracket, followed by mounting it to the housing using the screws (M3, 2 pcs) removed in Step 2. When mounting, pay attention to the orientation of the converter unit as shown in the left diagram.
- 4. Mount the camera mounting bracket**
Mount the camera mounting bracket dismantled in step 1. to the housing. Mount it exactly to the original position.

Mounting

Before mounting.

Remove the ceiling mount cover of the camera and guide the cables supplied with WB-1540U through the cover.

※ For further details, please refer to the instruction manual of the camera in use.

- 1. Connect the AC 24 V output cable to the converter unit.**
Follow the procedures below to connect the AC 24 V output cable of the main board on the main housing unit to the converter unit.
 - ① Push both ends of the connector as shown in the left diagram to remove it from the supplied converter unit.
 - ② Cut the Y terminal of the AC 24 V output cable and peel off about 5 mm of the coating.
 - ③ Push the arrow mark using tools such as a flat-head screwdriver to insert the coating of the AC 24 V output cable into the connector.
 - ④ Attach the connector to the converter unit.
- 2. Mount the Y terminal of the converter unit to the ceiling mount of VN-C625U.**
Guide the Y terminal of the converter unit through the ceiling mount cover, followed by connecting it to the [POWER INPUT DC 12 V] terminal of VN-C625U's ceiling mount.
- 3. Connect other cables**
Connect the necessary cables supplied with the housing (coaxial video cable, alarm signal cable, LAN cable, etc.) to the corresponding terminals on the ceiling mount.

CAUTION:

- Connect the communication cable to the alarm terminal if necessary. In addition, DC 12 V Power Cable is not in use on this system. For safety reasons, ensure to cut off any excess cable and bind using an insulating tape before use.
- For further details on connection, please refer to the instruction manual of the camera in use.

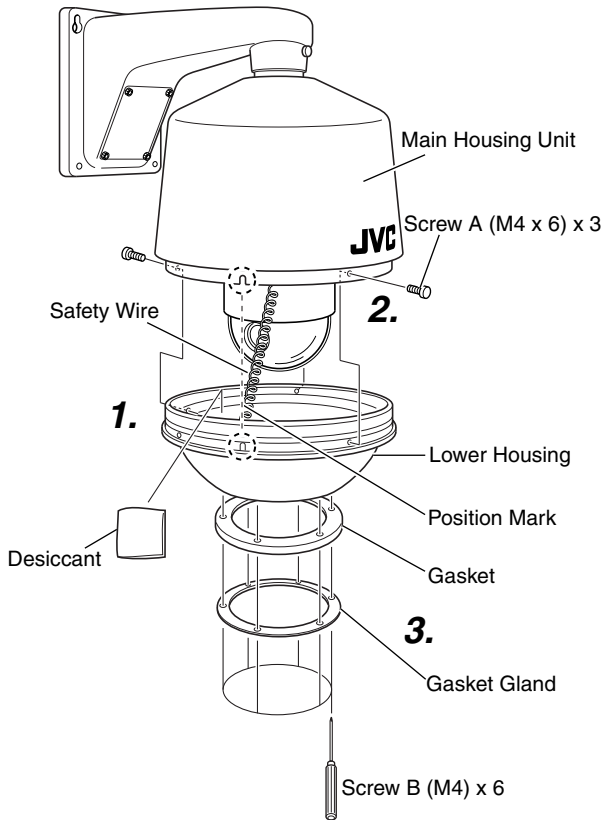
- 4. Mount the camera's ceiling mount to the main housing unit.**
Use the 4 screws supplied (M4 x 20) to mount the ceiling mount to the main housing unit.

NOTE:

During mounting, align the [↑ FRONT] mark of the ceiling mount with the notch on the camera mount bracket of the main housing unit.

- 5. Mount the camera to the ceiling mount**
Follow instructions in the manual of the camera in use to mount the camera to the ceiling mount.

Assembling the Housing



1. Adhering the desiccant

Use a tape to adhere the supplied desiccant to the interior of the lower housing.

CAUTION:

- Fogging may occur when there are drastic temperature changes. In this case, continue using without turning off the power.
- Pay attention when handling the desiccant in order to maintain its effectiveness.
 - Do not remove it from the bag until you are about to use it.
 - Do not wet it or touch it with wet hands.
 - Assemble promptly upon adhering the desiccant.
 - Be sure to replace the desiccant during maintenance.

2. Mount the lower housing

Mount the lower housing that is dismantled in Step 2. (pg. 10) to the main housing unit using the 3 Screws A (M4 x 6).

Do so by aligning the position marks of the lower housing and the main housing unit.

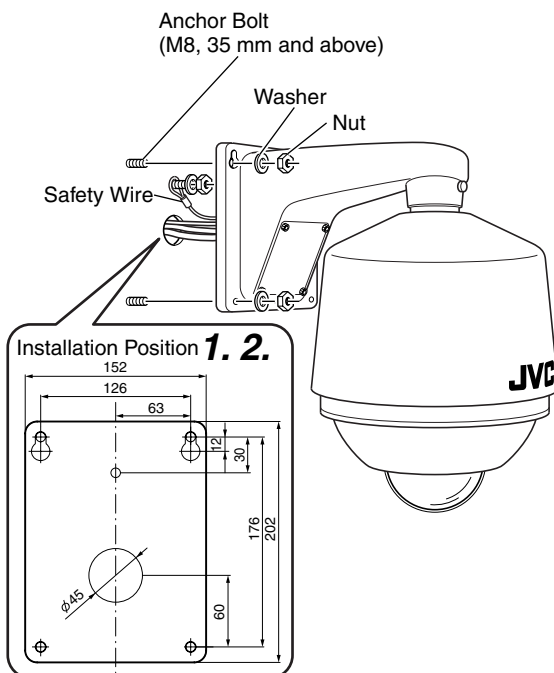
3. Mount the gasket and gasket gland

Mount the gasket and gasket gland that are dismantled in Step 1. (pg. 10) of the housing disassembly procedure to the lower housing using the 6 Screws B (M4).

CAUTION:

- During assembly, ensure that wires and cables are not caught in the housing.
- Do not exert force unnecessarily on the gasket or twist it during mounting.
- Check to ensure that the gasket is in close contact with the camera.

Mounting the Housing to the wall



1. Drill a hole into the wall.

Drill a hole (\varnothing 45 mm) for inserting the connection cable. (Refer to left fig.)

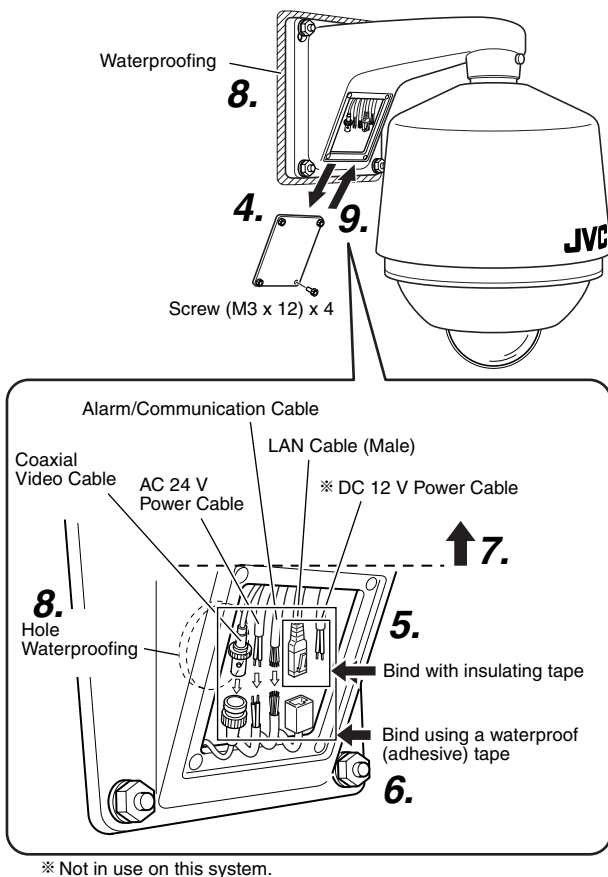
2. Affix anchor bolts onto the wall.

- Affix 4 anchor bolts (M8, 35 mm and above) for attaching the housing. (Refer to left fig.)
- Affix an anchor bolts for attaching the safety wire, in the middle (about 60 mm from both ends) of the 2 upper anchor bolts, 30 mm from the top. (Refer to left fig.)

3. Mount the safety wire and arm to the wall.

- Mount the safety wire attached to the housing, to the anchor bolts using the nut and wire.
- Use the nut and wire to mount the housing onto the wall.

Mounting the Housing to the Wall (continued)



4. Open the cable connection cover

Use provided hexagon wrench to remove the 4 screws (M3 x 12) from the cable connection cover to open it.

5. Connect each cable

Connect the necessary cables.

NOTES:

- When connecting to TK-C625U/E, ensure to bind connectors of LAN cables that are not in use with an insulating tape before using.
- Ensure to bind the DC 12 V Power Cable that is not in use on this system with insulating tape.

6. Bind cable using a waterproof tape

Upon connecting, ensure to perform waterproofing procedures by binding the joint of each cable with a waterproof (adhesive) tape.

CAUTION:

For safety reasons, turn on the power only upon connecting all cables.

7. Fasten the cables in the interior of the arm

When waterproofing is complete, insert the cables into the upper interior of the arm and fasten using a tape.

CAUTION:

When inserting the cables, ensure that all cable connections are above the cable connection cover (see dotted line in the left diagram 7.). Failure to do so may cause malfunctions due to penetration of rain water.

8. Cover the hole and the mounting side of housing with waterproof seal.

After the cables have been connected, cover the holes made in step 1. with waterproof seal. With the Cable connection cover open, put your hand in and cover the hole. Cover the mounting side of the housing with waterproof seal.

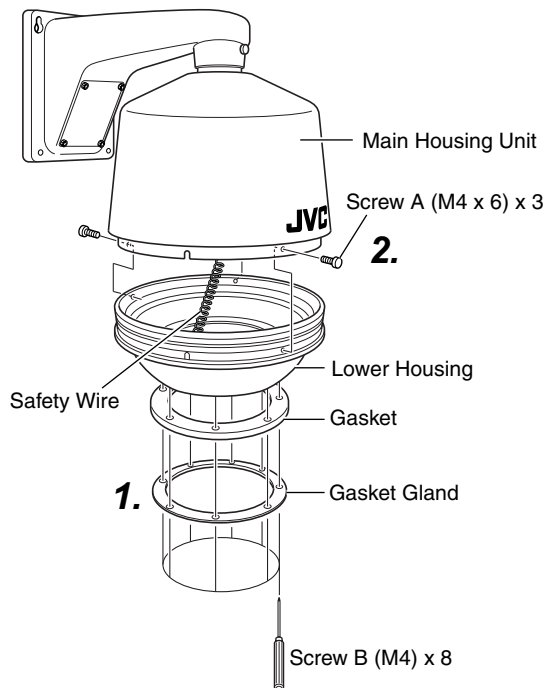
NOTE:

- Be sure to perform waterproofing. Seepage of rainwater may result in malfunction.
- Use GE silicon or its equivalents as the sealing material.

9. Close the cable connection cover

When cable connection is complete, close the cable connection cover and fasten 4 screws (M3 x 12) removed in step 4. using the provided hexagon wrench.

Disassembling the Housing



1. Dismantle the gasket and gasket gland

Loosen the 8 Screws B (M4) using a driver, followed by dismantling the gasket and gasket gland from the lower housing.

※ The 8 Screws B (M4) cannot be totally removed from the gasket to prevent it from falling off.

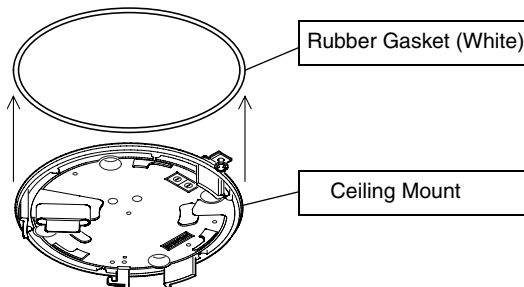
2. Dismantle the lower housing

Loosen the 3 Screws A (M4 x 6) using a driver, followed by dismantling the lower housing from the main housing unit.

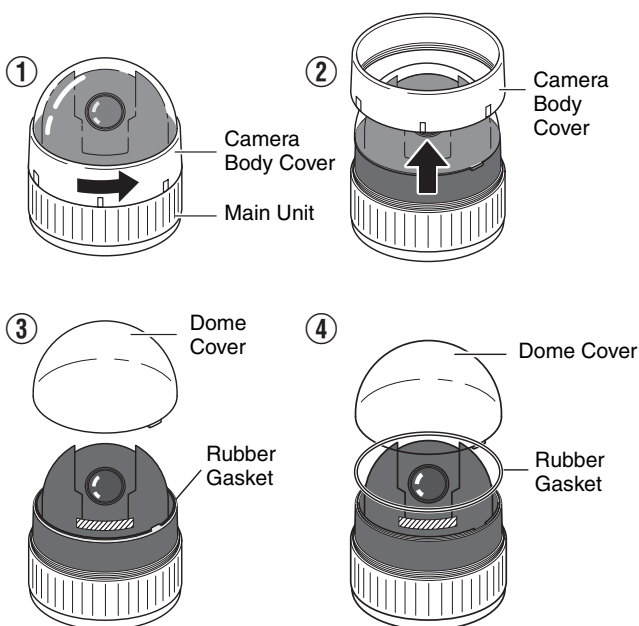
※ The lower housing is connected to the main housing unit using a safety wire.

Procedures Before Mounting the Camera

1.



2.



1. Dismantle the rubber gasket of the camera's ceiling mount

Dismantle the rubber gasket (white) on the same side as the ceiling mount of the combination camera to be installed.

2. Dismantle the rubber gasket in the interior of the camera

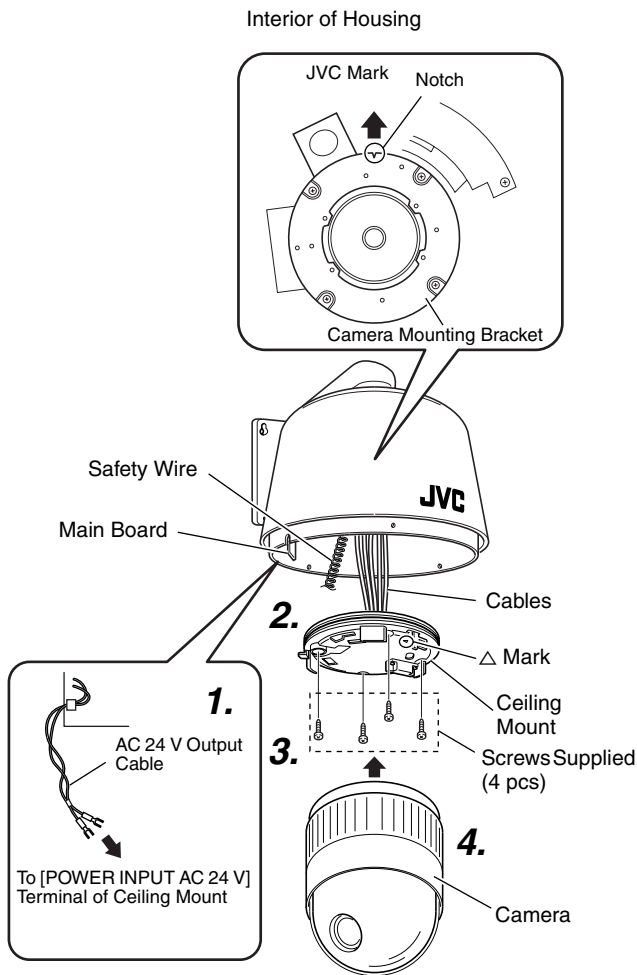
Follow the procedures below to remove the rubber gasket from the interior of the combination camera.

- ① Turn the camera body cover in the direction as indicated in the left diagram.
(When the camera body cover is tight and cannot be turned, do so upon fastening the main unit.)
- ② Dismantle the camera body cover.
- ③ Dismantle the dome cover.
- ④ Remove the rubber gasket and restore the dome cover and camera body cover to their original positions.

CAUTION:

- The combination camera is an enclosed unit. In order to prevent fogging in the interior of the dome cover, ensure to remove the rubber gasket (2 types) before use.
- Do not remove the combination camera from the housing and use it singly after removing the rubber gasket and installing to the housing. Doing so may cause the camera to malfunction.

Mounting the Camera (TK-C655E and TK-C676E)



1. Connect the AC 24 V output cable to the camera
Connect the AC 24 V output cable to the ceiling mount of the camera to be installed.

2. Connect other cables
Connect the coaxial video cable and communication cables (alarm signal, control terminal, etc.) supplied with the housing to the ceiling mount.

CAUTION:

- Connect the communication cable to the [ALARM IN/OUT] and [CONTROL] terminals if necessary. For safety reasons, ensure to cut off any excess cable and bind using an insulating tape before use.
- For further details on connection, please refer to the instruction manual of the camera in use.
- Ensure to bind connectors of LAN cables and DC 12 V Power Cable that are not in use with an insulating tape before use.

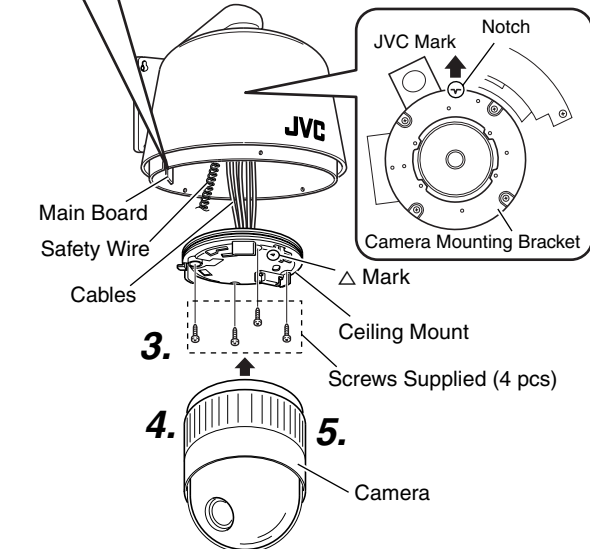
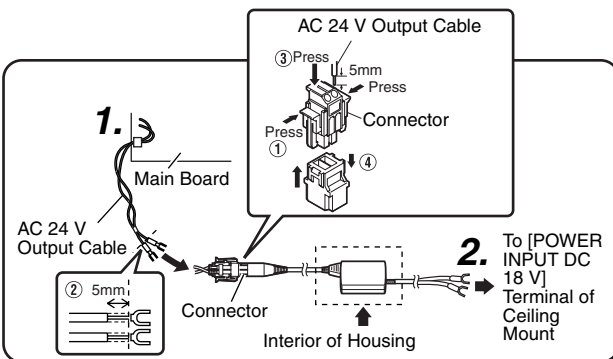
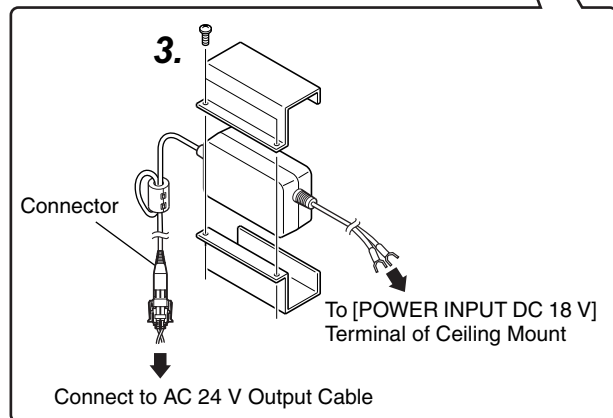
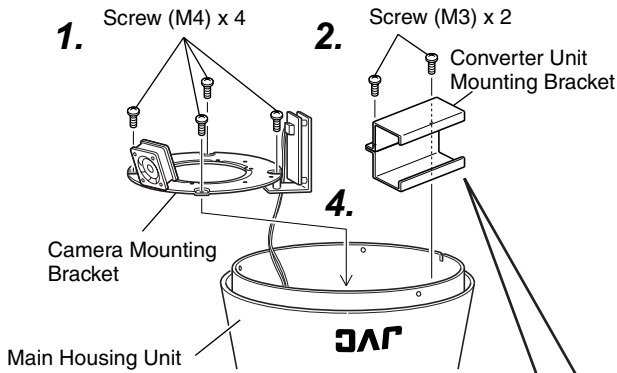
3. Mount the ceiling mount of the camera to the main housing unit
Use the 4 screws supplied to mount the ceiling mount to the main housing unit.

CAUTION:

During mounting, align the Δ mark of the ceiling mount with the notch on the camera mount bracket of the main housing unit.

4. Mount the camera to the ceiling mount
Follow instructions in the manual of the camera to be installed to mount the camera to the ceiling mount.

Mounting the Camera (VN-C655U)



Preparation

- 1. Dismantle the camera mounting bracket**
Loosen the screws on the camera mounting bracket (M4, 4 pcs) using a driver to dismantle it.
- 2. Dismantle the converter unit mounting bracket**
Loosen the screws on the converter unit mounting bracket (M3, 2 pcs) using a driver to dismantle it.
- 3. Mount the converter unit to the housing**
Clamp the converter unit using the converter unit mounting bracket, followed by mounting it to the housing using the screws (M3, 2 pcs) removed in Step 2. When mounting, pay attention to the orientation of the converter unit as shown in the left diagram.
- 4. Mount the camera mounting bracket**
Mount the camera mounting bracket dismantled in step 1. to the housing. Mount it exactly to the original position.

Mounting

Before mounting.

Remove the ceiling mount cover of the camera and guide the cables supplied with WB-1550U through the cover.
 ※ For further details, please refer to the instruction manual of the camera in use.

- 1. Connect the AC 24 V output cable to the converter unit.**
Follow the procedures below to connect the AC 24 V output cable of the main board on the main housing unit to the converter unit.
 - ① Push both ends of the connector as shown in the left diagram to remove it from the supplied converter unit.
 - ② Cut the Y terminal of the AC 24 V output cable and peel off about 5 mm of the coating.
 - ③ Push the arrow mark using tools such as a flat-head screwdriver to insert the coating of the AC 24 V output cable into the connector.
 - ④ Attach the connector to the converter unit.
- 2. Mount the Y terminal of the converter unit to the ceiling mount of VN-C655U.**
Guide the Y terminal of the converter unit through the ceiling mount cover, followed by connecting it to the [POWER INPUT DC 18 V] terminal of VN-C655U's ceiling mount.
- 3. Connect other cables**
Connect the necessary cables supplied with the housing (coaxial video cable, alarm signal cable, LAN cable, etc.) to the corresponding terminals on the ceiling mount.

CAUTION:

- Connect the communication cable to the alarm terminal if necessary. In addition, DC 12 V Power Cable is not in use on this system. For safety reasons, ensure to cut off any excess cable and bind using an insulating tape before use.
- For further details on connection, please refer to the instruction manual of the camera in use.

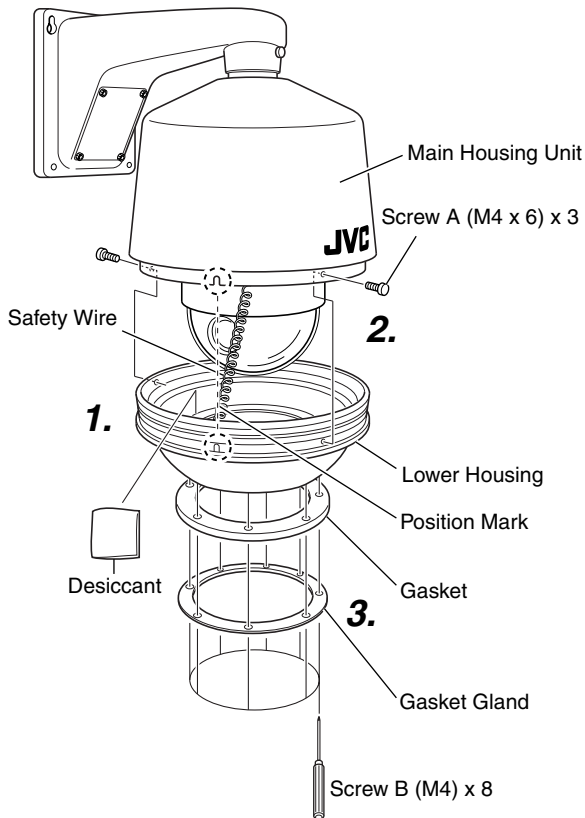
- 4. Mount the camera's ceiling mount to the main housing unit.**
Use the screws supplied (4 pcs) to mount the ceiling mount to the main housing unit.

NOTE:

During mounting, align the Δ mark of the ceiling mount with the notch on the camera mount bracket of the main housing unit.

- 5. Mount the camera to the ceiling mount**
Follow instructions in the manual of the camera in use to mount the camera to the ceiling mount.

Assembling the Housing



1. Mount the desiccant

Use a tape to adhere the supplied desiccant to the interior of the lower housing.

CAUTION:

- Fogging may occur when there are drastic temperature changes. In this case, continue using without turning off the power.
- Pay attention when handling the desiccant in order to maintain its effectiveness.
 - Do not remove it from the bag until you are about to use it.
 - Do not wet it or touch it with wet hands.
 - Assemble promptly upon adhering the desiccant.
 - Be sure to replace the desiccant during maintenance.

2. Mount the lower housing

Mount the lower housing that is dismantled in Step 2. (pg. 10) to the main housing unit using the 3 Screw A (M4 x 6).

Do so by aligning the position marks of the lower housing and the main housing unit.

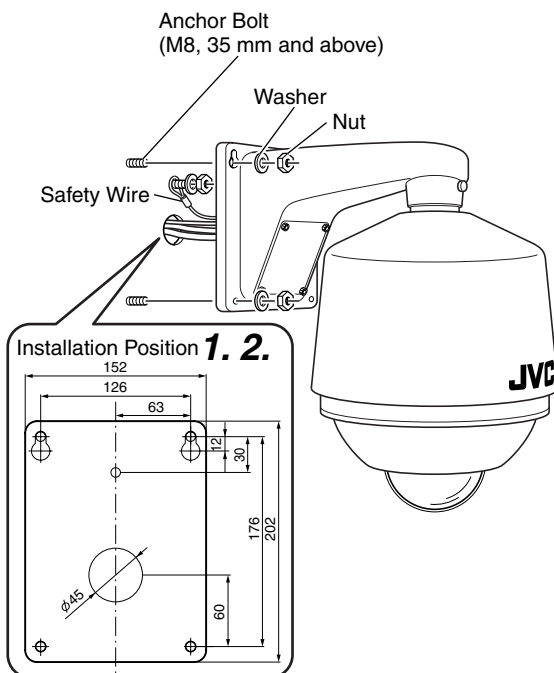
3. Mount the gasket and gasket gland

Mount the gasket and gasket gland that are dismantled in Step 1. (pg. 10) of the housing disassembly procedure to the lower housing using the 8 Screws B (M4).

CAUTION:

- During assembly, ensure that wires and cables are not caught in the housing.
- Do not exert force unnecessarily on the gasket or twist it during mounting.
- Check to ensure that the gasket is in close contact with the camera.

Mounting the Housing to the wall



1. Drill a hole into the wall.

Drill a hole (\varnothing 45 mm) for inserting the connection cable. (Refer to left fig.)

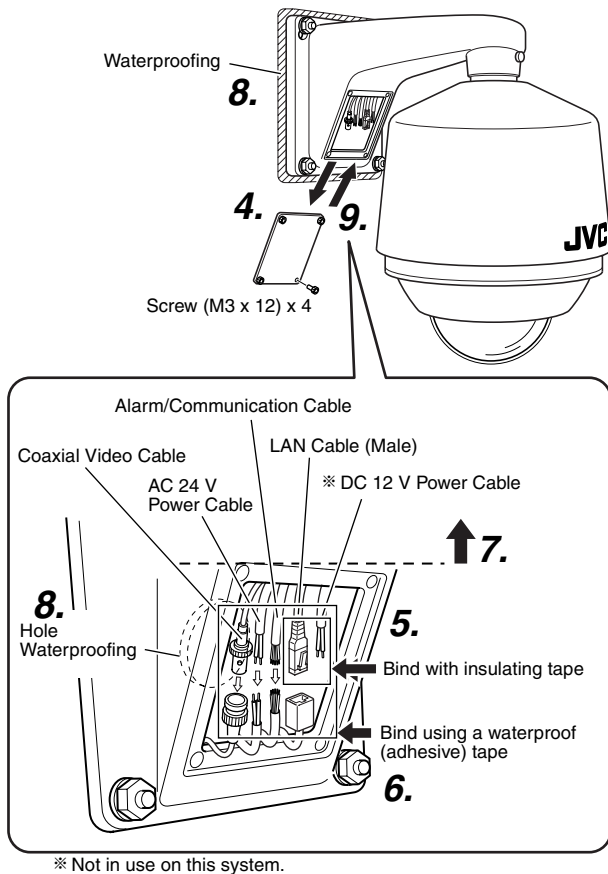
2. Affix anchor bolts onto the wall.

- Affix 4 anchor bolts (M8, 35 mm and above) for attaching the housing. (Refer to left fig.)
- Affix an anchor bolt for attaching the safety wire, in the middle (about 60 mm from both ends) of the 2 upper anchor bolts, 30 mm from the top. (Refer to left fig.)

3. Mount the safety wire and arm to the wall.

- Mount the safety wire attached to the housing, to the anchor bolts using the nut and wire.
- Use the nut and wire to mount the housing onto the wall.

Mounting the Housing to the Wall (continued)



4. Open the cable connection cover

Use provided hexagon wrench to remove the 4 screws (M3 x 12) from the cable connection cover to open it.

5. Connect each cable

Connect the necessary cables.

CAUTION:

- Ensure to bind connectors of LAN cables that are not in use with an insulating tape before use.
- Ensure to bind the DC 12 V Power Cable that is not in use on this system with insulating tape.

6. Bind cable using a waterproof tape

Upon connecting, ensure to perform waterproofing procedures by binding the joint of each cable with a waterproof (adhesive) tape.

CAUTION:

For safety reasons, turn on the power only upon connecting all cables.

7. Fasten the cables in the interior of the arm

When waterproofing is complete, insert the cables into the upper interior of the arm and fasten using a tape.

CAUTION:

When inserting the cables, ensure that all cable connections are above the cable connection cover (see dotted line in the left diagram).

Failure to do so may cause malfunctions due to penetration of rain water.

8. Cover the hole and the mounting side of housing with waterproof seal.

After the cables have been connected, cover the holes made in step 1. with waterproof seal. With the Cable connection cover open, put your hand in and cover the hole. Cover the mounting side of the housing with waterproof seal.

NOTE:

- Be sure to perform waterproofing. Seepage of rainwater may result in malfunction.
- Use GE silicon or its equivalents as the sealing material.

9. Close the cable connection cover

When cable connection is complete, close the cable connection cover and fasten the 4 screws (M3 x 12) removed in step 4. using the provided hexagon wrench.

Specifications

WB-1540U

General

Power / Voltage : AC 24 V 50 Hz/60 Hz (Main Housing Unit)

Power Consumption

: 25 W (During heater operation, excluding camera)

Installation Location

: Outdoor (general)

Ambient Temperature

: -20 °C to 50 °C (when equipped with TK-C625U/E)

: -20 °C to 40 °C (when equipped with VN-C625U)

Heater Operation Temperature (Internal temperature)

: Heater turns ON between 8 °C ± 5 °C

Turns OFF between 20 °C ± 5 °C

Ambient Humidity : 35 % to 90 %

Vibration / Shock : Locations without vibration/shock

Dustproof / Waterproof

: IP66

※ When combined with compatible camera

Permissible Wind Speed

: 40 m/s or below

Mass: 5.0 kg

Accessories:

Instructions..... 1

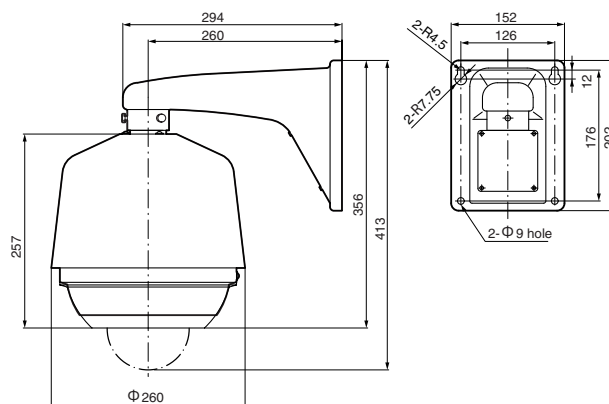
Desiccant..... 1

Screw (M4×20)..... 4

Hexagon wrench..... 1

Compatible Cameras: TK-C625U/E, VN-C625U

Dimensional Outline Drawing (Unit: mm)



※ Specifications and appearance of this unit as well as related products may be modified for improvement without prior notice.

WB-1550U

General

Power / Voltage : AC 24 V 50 Hz/60 Hz (Main Housing Unit)

Power Consumption

: 25 W (During heater operating, excluding camera)

Installation Location

: Outdoor (general)

Ambient Temperature

: -20 °C to 50 °C (when equipped with TK-C676E, TK-C655E)

: -20 °C to 40 °C (when equipped with VN-C655U)

Heater Operation Temperature (Internal temperature)

: Heater turns ON between 8 °C ± 5 °C

Turns OFF between 20 °C ± 5 °C

Ambient Humidity : 35 % to 90 %

Vibration / Shock : Locations without vibration/shock

Dustproof / Waterproof

: IP66

※ When combined with compatible camera

Permissible Wind Speed

: 40 m/s or below

Mass: 5.0 kg

Accessories:

Instructions..... 1

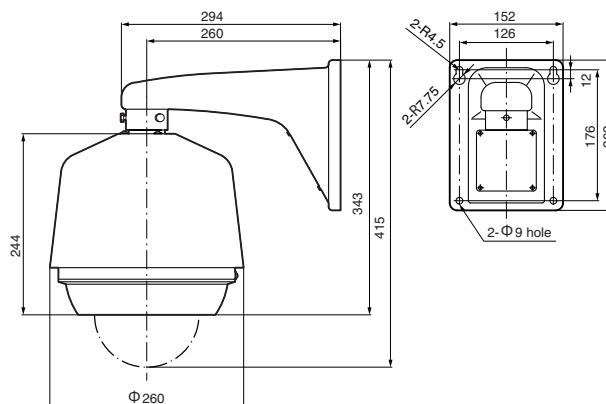
Desiccant..... 1

Screw (M4×20)..... 4

Hexagon wrench..... 1

Compatible Cameras: TK-C676E, TK-C655E, VN-C655U

Dimensional Outline Drawing (Unit: mm)



※ Specifications and appearance of this unit as well as related products may be modified for improvement without prior notice.

JVC