

6 W2 Be

6.5" Utopia Be® woofer



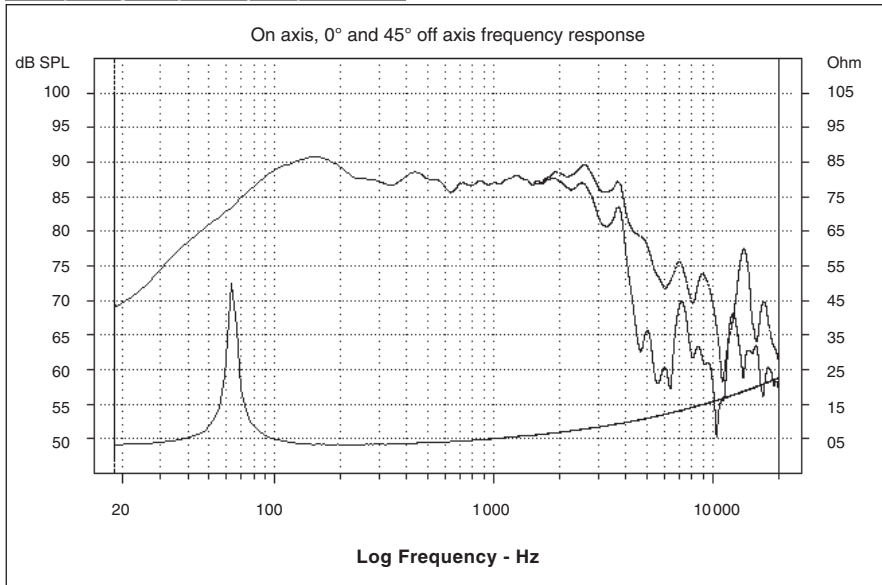
- W cone
- Aluminum focus phase plug
- Neodymium magnet
- Zamak basket



Specifications

Nominal power	100 W	
Maximum power	200 W	
Sensitivity (2.83V/m)	91.5 dB	
Cone	W	
Surround	Rubber	
Nom. impedance	4 ohm	
DC resistance	2.91 ohm	
VC diameter	40 mm	1.57 in
VC height	15 mm	0.6 in
Former	Black Kapton®	
Layers	2	
Wire	Copper	
Inductance	0.42 mH	
Xmax	4.5 mm	0.18 in
Magnet	Neodymium	
Flux density	0.8 T	
Gap height	6 mm	0.24 in
Net weight	0.85 kg	1.9 lbs

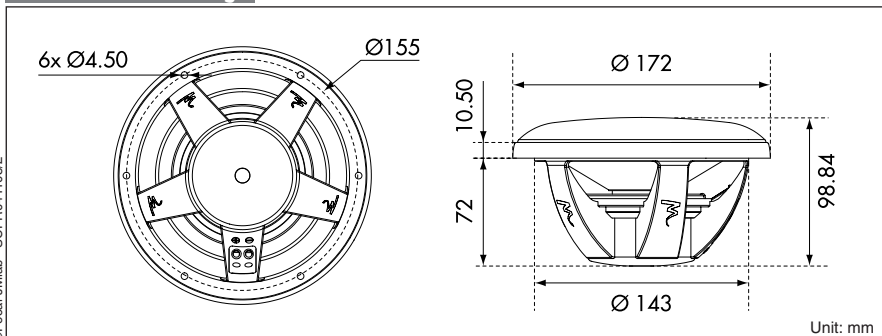
Frequency Response / Impedance



Parameters

Fs	64.39 Hz
Vas	9.19 l
Qts	0.75
Qes	0.79
Qms	14.73
Re	2.91 ohm
Sd	132.73 cm ²
Cas	6.54E-08 m ⁵ /N
Mas	93.37 kg/m ⁴
Ras	2564.53 ohm.ac
Cms	3.71E-04 m/N
Mms	16.45 g
Rms	0.452 kg/s
Ces	671.02 mF
Les	9.1 mH
Res	54.26 ohm
BI	4.95 N/A
SPL	86.76 dB/W/m

Mechanical Drawing



Focal® is a trademark of Focal-JMLab®