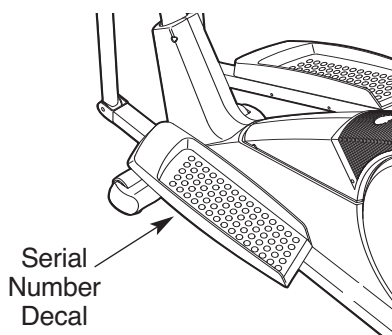


# HEALTHRIDER®

## C515e

Model No. HREL3006.0

Serial No. \_\_\_\_\_



## USER'S MANUAL

### QUESTIONS?

As a manufacturer, we are committed to providing complete customer satisfaction. If you have questions, or if parts are damaged or missing, PLEASE CONTACT OUR CUSTOMER SERVICE DEPARTMENT DIRECTLY.

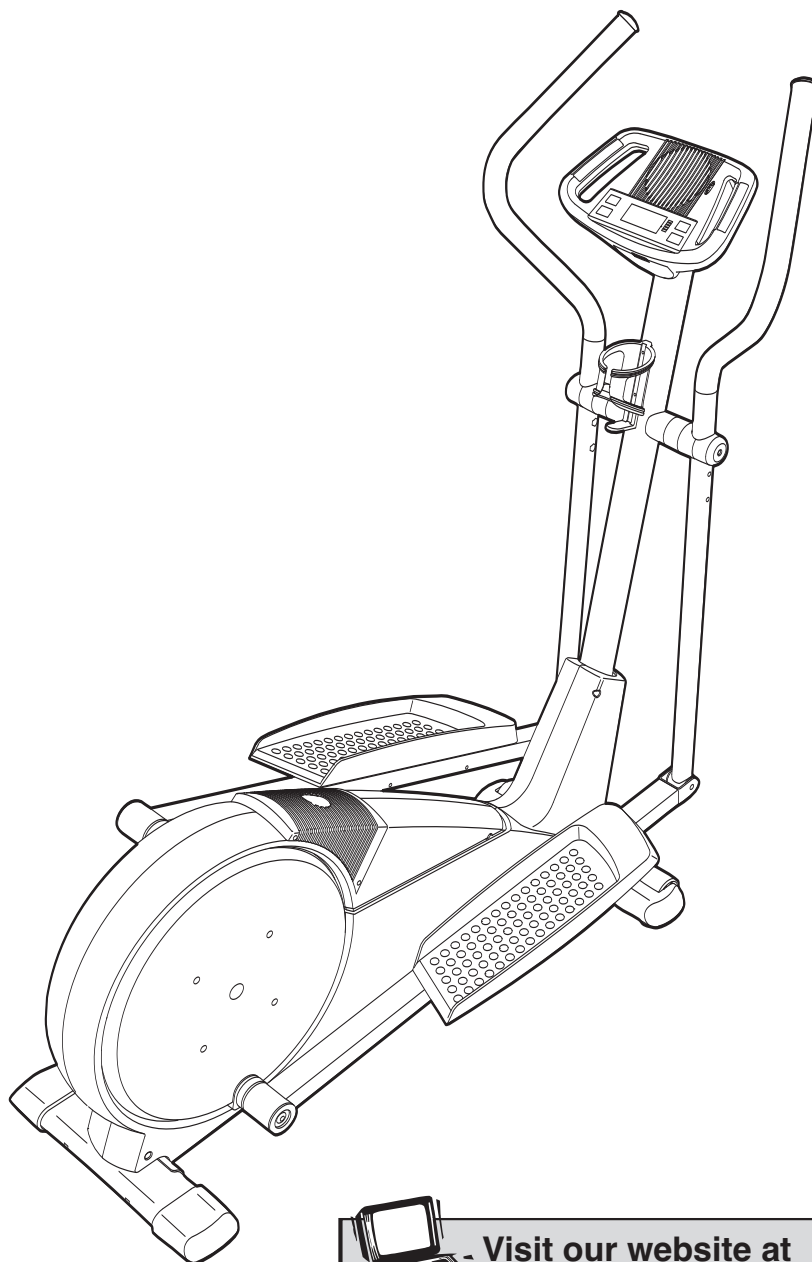
CALL TOLL-FREE:

**1-888-922-4222**

Mon.–Fri., 6 a.m.–6 p.m. MST  
(closed on holidays)

ON THE WEB:

[www.healthriderservice.com](http://www.healthriderservice.com)



### ⚠ CAUTION

Read all precautions and instructions in this manual before using this equipment. Keep this manual for future reference.



Visit our website at

[www.healthrider.com](http://www.healthrider.com)

new products, prizes,  
fitness tips, and much more!

# **HEALTHRIDER®**

## **C515e**

---

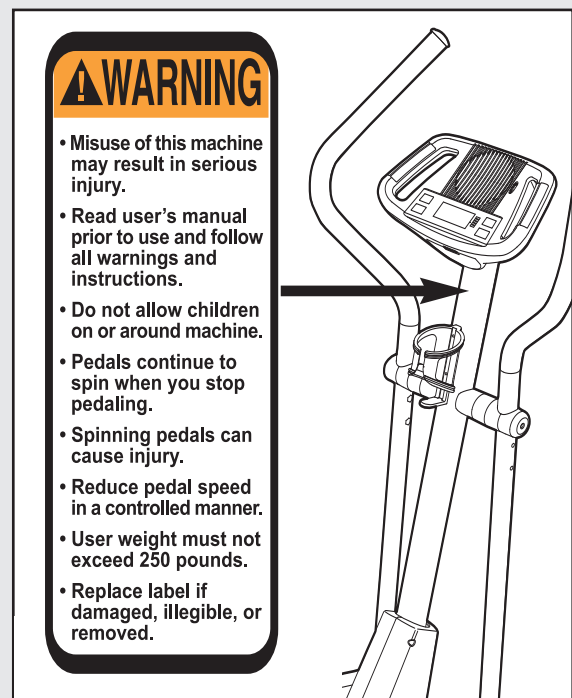
### **TABLE OF CONTENTS**

IMPORTANT PRECAUTIONS .....	.3
BEFORE YOU BEGIN .....	.4
ASSEMBLY .....	.5
HOW TO USE THE ELLIPTICAL EXERCISER .....	.9
MAINTENANCE AND TROUBLESHOOTING .....	.13
CONDITIONING GUIDELINES .....	.14
PART LIST .....	.18
EXPLODED DRAWING .....	.19
HOW TO ORDER REPLACEMENT PARTS .....	.Back Cover
LIMITED WARRANTY .....	.Back Cover

# IMPORTANT PRECAUTIONS

**⚠ WARNING:** To reduce the risk of serious injury, read the following important precautions before using the elliptical exerciser.

1. Read all instructions in this manual before using the elliptical exerciser.
2. It is the responsibility of the owner to ensure that all users of the elliptical exerciser are adequately informed of all precautions.
3. The elliptical exerciser is intended for home use only. Do not use the elliptical exerciser in a commercial, rental, or institutional setting.
4. Place the elliptical exerciser on a level surface, with a mat beneath it to protect the floor or carpet. Keep the elliptical exerciser indoors, away from moisture and dust.
5. Inspect and properly tighten all parts regularly. Replace any worn parts immediately.
6. Keep children under 12 and pets away from the elliptical exerciser at all times.
7. The elliptical exerciser should not be used by persons weighing more than 250 pounds.
8. Wear appropriate exercise clothes while using the elliptical exerciser. Always wear athletic shoes for foot protection while exercising.
9. Hold the handgrip pulse sensor or the handlebars when mounting, dismounting, or using the elliptical exerciser.
10. The pulse sensor is not a medical device. Various factors may affect the accuracy of heart rate readings. The pulse sensor is intended only as an exercise aid in determining heart rate trends in general.
11. Keep your back straight while using the elliptical exerciser; do not arch your back.
12. If you feel pain or dizziness at any time while exercising, stop immediately and cool down.
13. When you stop exercising, allow the pedals to slowly come to a stop.
14. The decal shown below has been placed on the elliptical exerciser. If the decal is missing or illegible, call the toll-free telephone number on the front cover of this manual and order a free replacement decal. Apply the decal in the location shown.



**⚠ WARNING:** Before beginning this or any exercise program, consult your physician. This is especially important for persons over the age of 35 or persons with pre-existing health problems. Read all instructions before using. ICON assumes no responsibility for personal injury or property damage sustained by or through the use of this product.

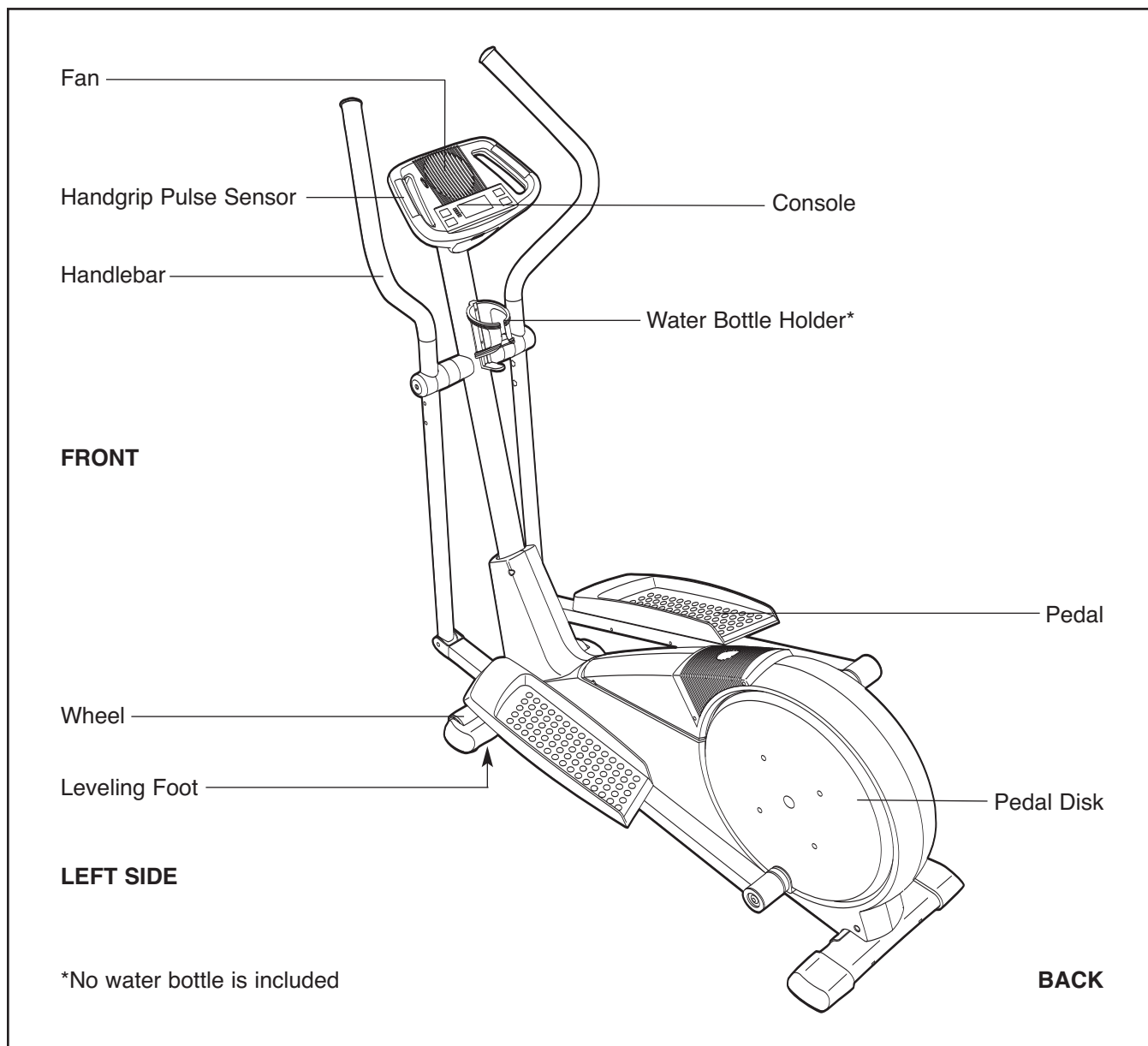
# BEFORE YOU BEGIN

Congratulations for selecting the versatile new HEALTHRIDER® C515e. The HEALTHRIDER C515e is an incredibly smooth exerciser that moves your feet in a natural elliptical path, minimizing the impact on your knees and ankles. And the unique C515e features adjustable resistance and a state-of-the-art console to help you get the most from your exercise.

**For your benefit, read this manual carefully before you use the elliptical exerciser.** If you have questions after reading this manual, please see the front

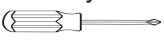


cover of this manual. To help us assist you, please note the product model number and serial number before contacting us. The model number is HREL3006.0. The serial number can be found on a decal attached to the elliptical exerciser (see the front cover of this manual for the location of the decal).

Before reading further, please familiarize yourself with the parts that are labeled in the drawing below.

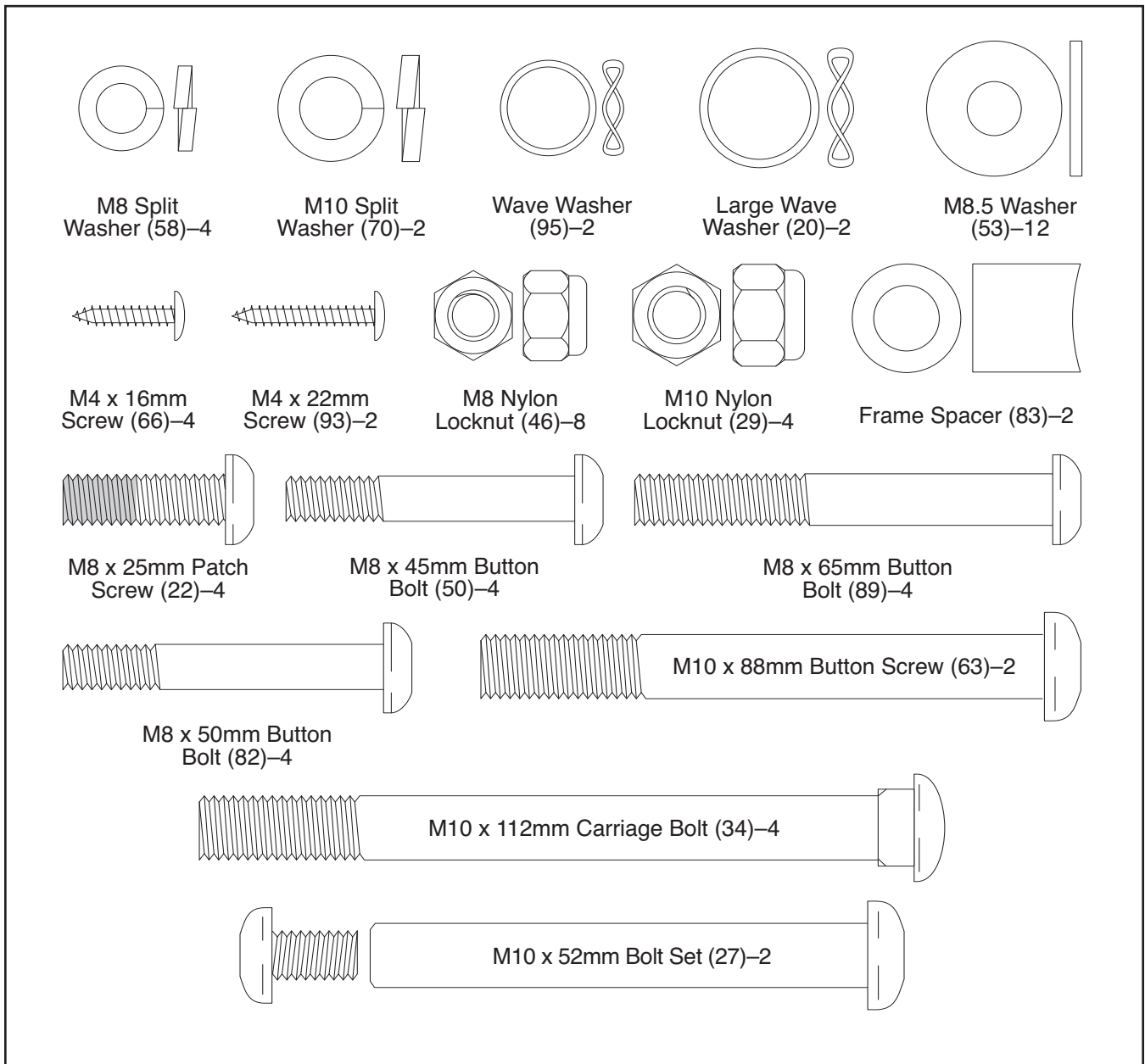


# ASSEMBLY

To hire an authorized service technician to assemble the elliptical exerciser, call toll-free 1-800-445-2480.

**Assembly requires two persons.** Place all parts of the elliptical exerciser in a cleared area and remove the packing materials. Do not dispose of the packing materials until assembly is completed. **In addition to the included hex keys, assembly requires a phillips screwdriver** , **an adjustable wrench** , **and a rubber mallet** .

Use the drawings below to identify the small parts used in assembly. The number in parentheses below each drawing refers to the key number of the part, from the PART LIST on page 18. The second number refers to the quantity needed for assembly. **Note: Some small parts may have been pre-assembled. If a part is not in the parts bag, check to see if it has been pre-assembled.**



1.

**To make assembly easier, read the information on page 5 before you begin assembling the elliptical exerciser.**

Identify the Front Stabilizer (3). While another person lifts the front of the Frame (1), attach the Front Stabilizer to the Frame with two M10 x 112mm Carriage Bolts (34) and two M10 Nylon Locknuts (29). **Make sure that the Front Stabilizer is turned so the Wheels (32) are not touching the floor.**

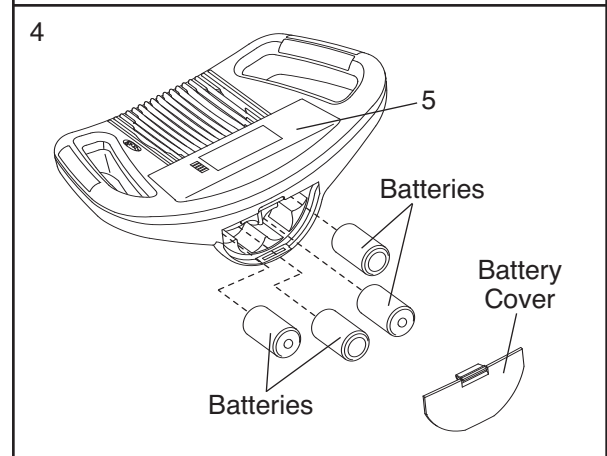
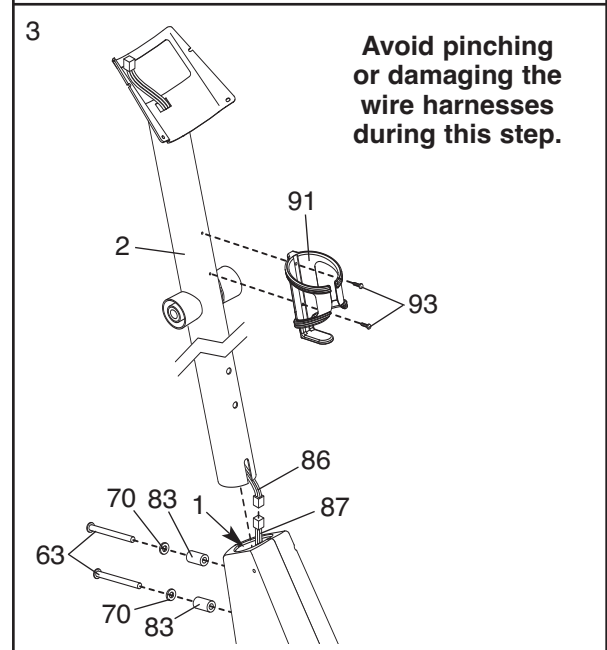
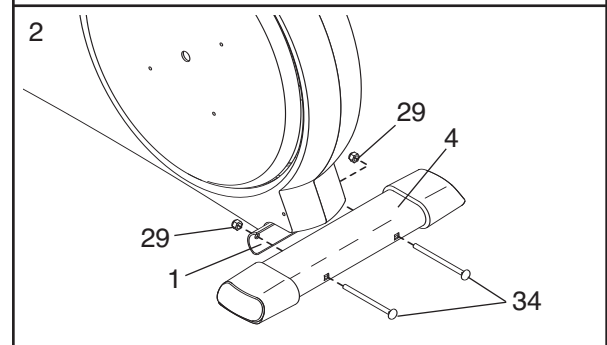
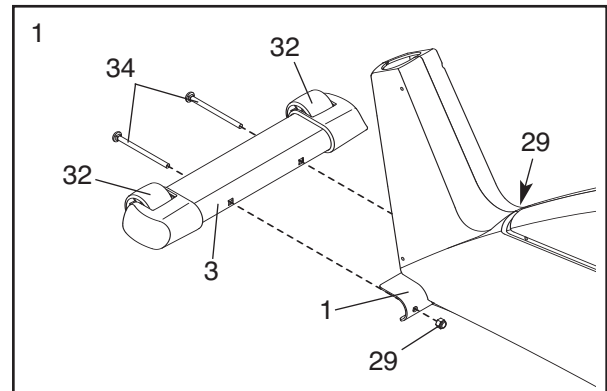
2. While another person lifts the back of the Frame (1), attach the Rear Stabilizer (4) to the Frame with two M10 x 112mm Carriage Bolts (34) and two M10 Nylon Locknuts (29).

3. While another person holds the Upright (2) in the position shown, connect the Upper Wire Harness (86) to the Lower Wire Harness (87). **Carefully pull the upper end of the Upper Wire Harness to remove any slack. While holding the upper end of the Upper Wire Harness, insert the Upright into the Frame (1). Do not pinch the Wire Harnesses.**

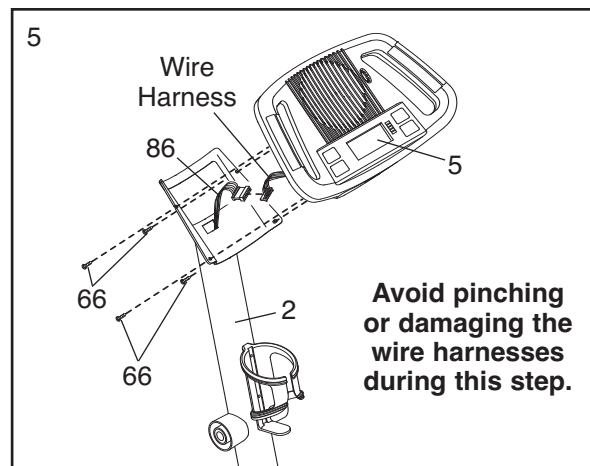
Slide two M10 Split Washers (70) and two Frame Spacers (83) onto two M10 x 88mm Button Screws (63). Insert the Button Screws into the Frame (1) and the Upright (2). **Make sure that the concave end of the Frame Spacer is turned toward the Frame. Do not tighten the Button Screws yet.**

Attach the Water Bottle Holder (91) to the Upright (2) with two M4 x 22mm Screws (93).

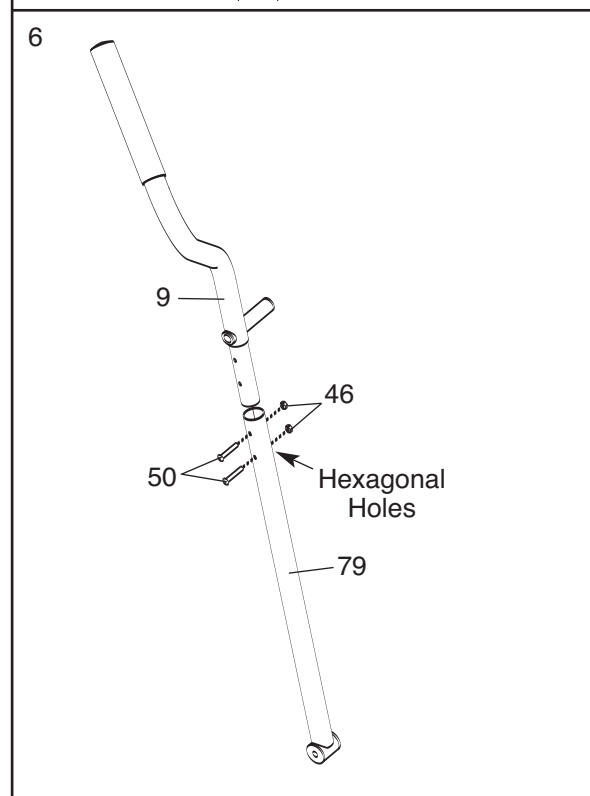
4. The Console (5) requires four "D" batteries (not included); alkaline batteries are recommended. Remove the battery cover from the Console and insert four batteries into the Console. **Make sure that the batteries are oriented as shown by the markings on the battery cover.** Then, reattach the battery cover.



5. While another person holds the Console (5) in the position shown, connect the wire harness on the Console to the Upper Wire Harness (86). Insert the excess wire harness into the Upright (2). Next, attach the Console to the Upright with four M4 x 16mm Screws (66). **Be careful to avoid pinching the wire harnesses.**

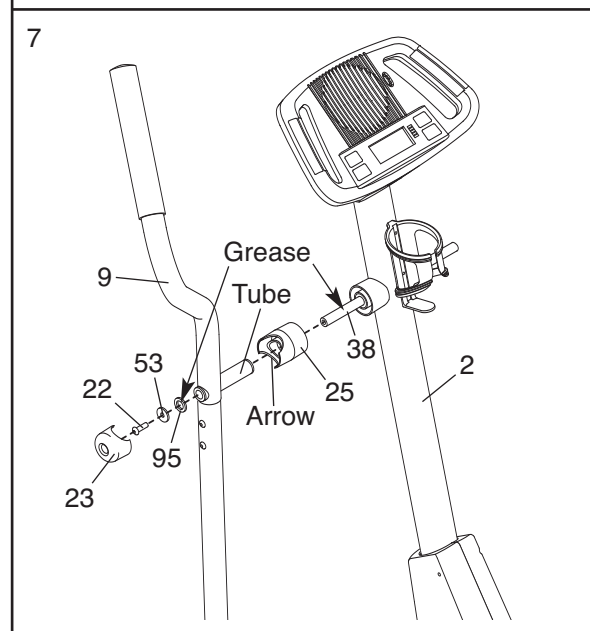


6. Identify the Left Handlebar (9), which is marked with a "Left" sticker. Insert the Left Handlebar into one of the Handlebar Legs (79); **make sure that the Handlebar Leg is turned so the hexagonal holes are on the indicated side.** Attach the Left Handlebar to the Handlebar Leg with two M8 x 45mm Button Bolts (50) and two M8 Nylon Locknuts (46). **Make sure that the Nylon Locknuts are inside the hexagonal holes. Do not tighten the Button Bolts yet.**



7. Apply a generous amount of the included grease to the Pivot Axle (38) and to an M8.5 Washer (53). Next, insert the Pivot Axle into the Upright (2) and center it. Reapply grease to both ends of the Pivot Axle.

Slide a Handlebar Spacer (25) onto the short tube on the Left Handlebar (9), and rotate the Handlebar Spacer so the small arrow is pointing downward. Next, slide the Left Handlebar onto the **left end** of the Pivot Axle (38). Hand tighten an M8 x 25mm Patch Screw (22) with an M8.5 Washer (53) and a Wave Washer (95) into the end of the Pivot Axle. Then, press the small tabs on a Handlebar Cap (23) into the Handlebar Spacer.



**Assemble the Right Handlebar (not shown) and the other Handlebar Leg in the same way.**

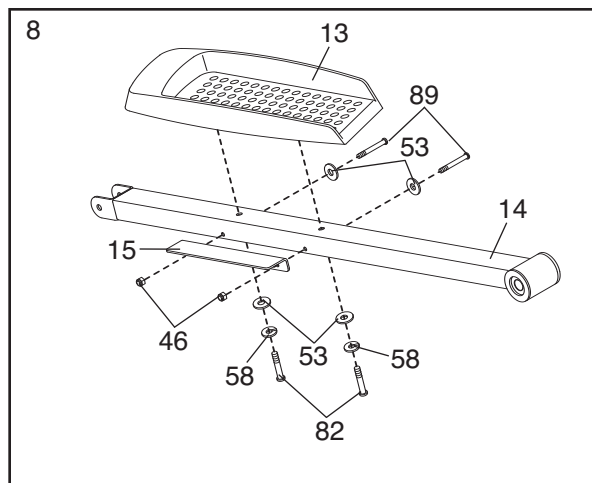
Tighten both M8 x 25mm Patch Screws (22) at the same time.



- Identify the Left Pedal Leg, which is marked with a "Left" sticker. Attach a Pedal Bracket (15) to the Left Pedal Leg with two M8 x 65mm Button Bolts (89), two M8.5 Washers (53), and two M8 Nylon Locknuts (46).

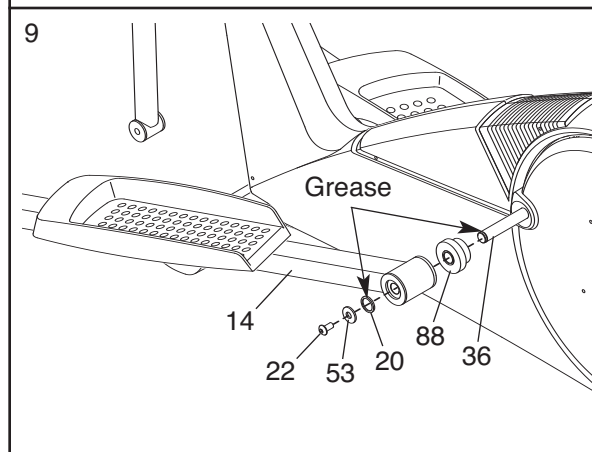
Identify the Left Pedal (13). Attach the Left Pedal to the Left Pedal Leg (14) with two M8 x 50mm Button Screws (82), two M8 Split Washers (58), and two M8.5 Washers (53).

**Attach the Right Pedal (not shown) in the same way. Make sure that both Pedals are in the same position.**



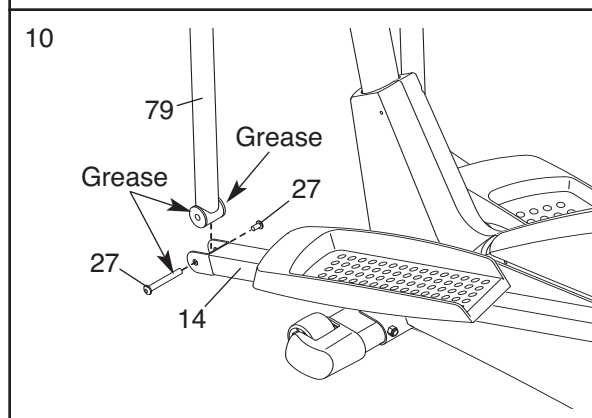
- Apply a generous amount of grease to the Left Crank Arm (36) and a Large Wave Washer (20). Then, slide a Pedal Leg Spacer (88) and the Left Pedal Leg (14) onto the Left Crank Arm.

Attach the Left Pedal Leg (14) to the Left Crank Arm (36) with an M8 x 25mm Patch Screw (22), an M8.5 Washer (53), and the Large Wave Washer (20).



- Hold the lower end of the left Handlebar Leg (79) inside of the Left Pedal Leg (14). Apply a small amount of grease to an M10 x 52mm Bolt Set (27). Attach the left Handlebar Leg to the Left Pedal Leg with the Bolt Set. **Do not overtighten the Bolt Set; the left Handlebar Leg must be able to pivot freely.**

**Attach the right Handlebar Leg (not shown) to the Right Pedal Leg in the same way.**



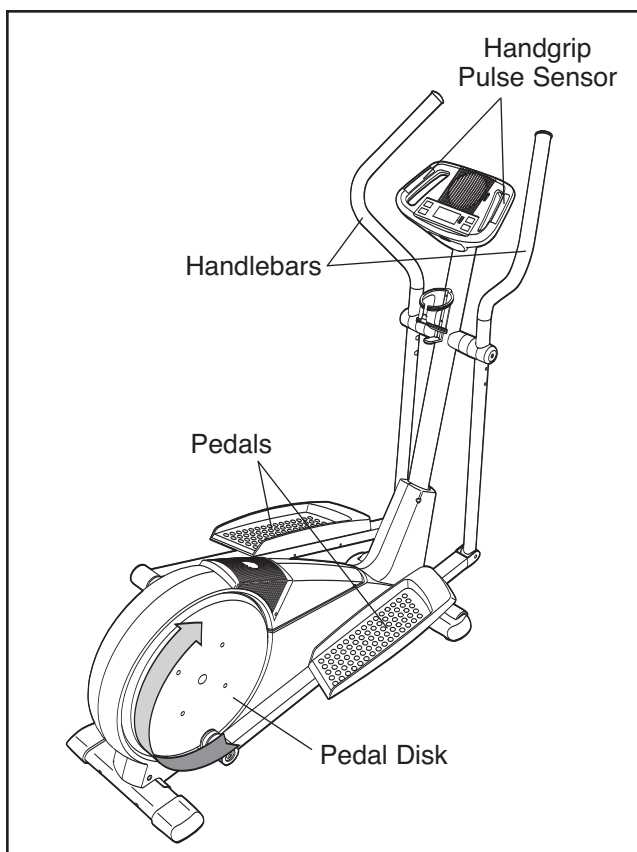
- Make sure that all parts of the elliptical exerciser are properly tightened.** Note: Some hardware may be left over after assembly is completed. To protect the floor or carpet from damage, place a mat under the elliptical exerciser.



# HOW TO USE THE ELLIPTICAL EXERCISER

## HOW TO EXERCISE ON THE ELLIPTICAL EXERCISER

To mount the elliptical exerciser, hold the handgrip pulse sensor and step onto the pedal that is in the lowest position. Then, step onto the other pedal. Push the pedals until they begin to move with a continuous motion. **Note: The pedal disks can turn in either direction. It is recommended that you move the pedal disks in the direction shown by the arrow below; however, for variety, you can turn the pedal disks in the opposite direction.**

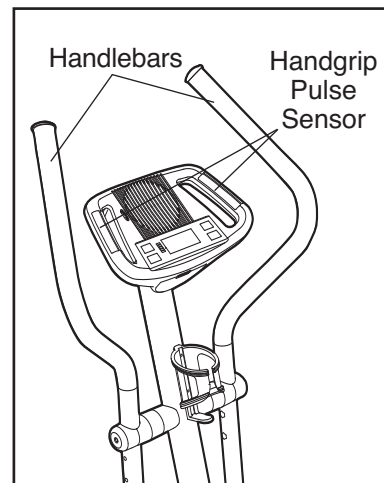


To dismount the elliptical exerciser, wait until the pedals come to a complete stop. **Note: The elliptical exerciser does not have a free wheel; the pedals will continue to move until the flywheel stops.** When the pedals are stationary, step off the higher pedal first. Then, step off the lower pedal.

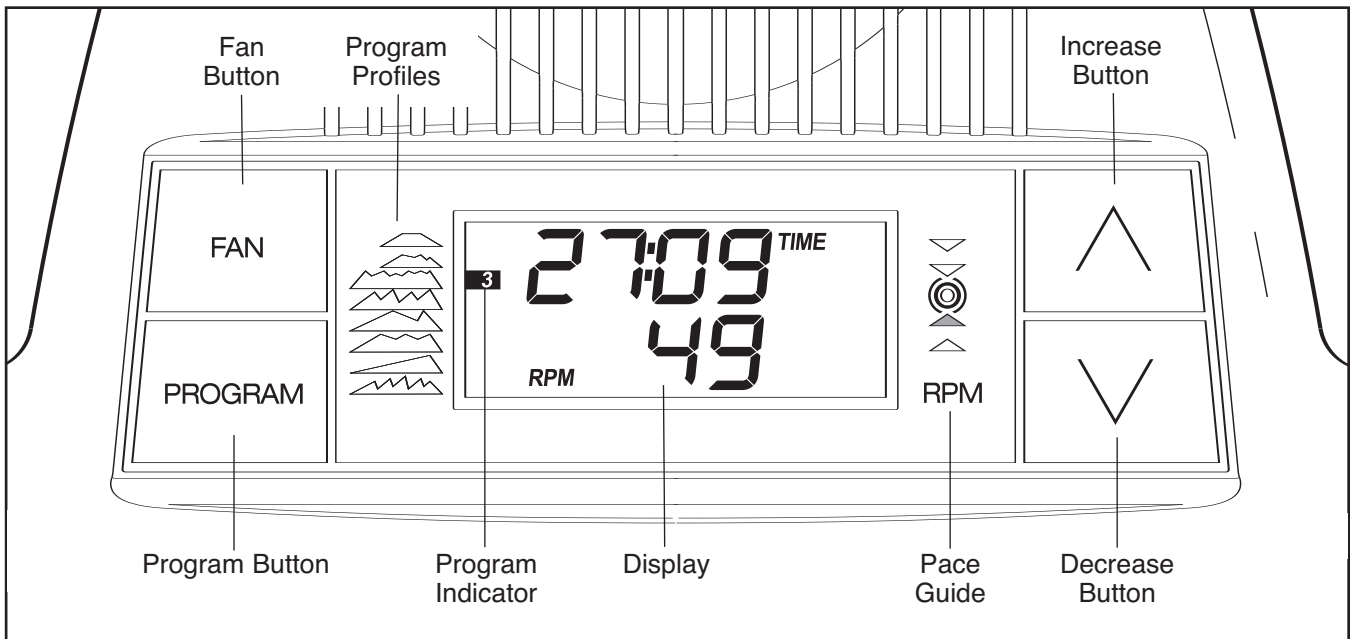
## HOW TO USE THE HANDLEBARS

The handlebars are designed to add upper-body exercise to your workouts. Push and pull the handlebars as you exercise to work your arms, shoulders, and back.

To exercise only your lower body, hold the handgrip pulse sensor as you exercise.



## DIAGRAM OF THE CONSOLE



### FEATURES OF THE CONSOLE

This advanced console offers a selection of features designed to make your workouts more effective. When you use the manual mode of the console, you can change the resistance of the pedals with the touch of a button. As you pedal, the console will provide continuous exercise feedback. You can even measure your heart rate using the built-in handgrip pulse sensor.

The console also offers eight preset programs that automatically change the resistance of the pedals and prompt you to vary your pedaling pace while guiding you through an effective workout.

**To use the manual mode of the console,** see the instructions on page 11. **To use a preset program,** see page 12.

Before using the console, make sure that batteries are installed (see assembly step 4 on page 6). If there is a sheet of clear plastic on the display, remove the plastic.

## HOW TO USE THE MANUAL MODE

### 1 Turn on the console.

To turn on the console, press the Increase button or begin pedaling. The pace guide will light for a moment; the console will then be ready for use.

### 2 Select the manual mode.

When you turn on the console, the manual mode will be selected. If you have selected a program, reselect the manual mode by pressing the Program button repeatedly until no program indicators (see the drawing on page 10) appear along the left side of the display.

### 3 Change the resistance of the pedals as desired.

As you pedal, change the resistance of the pedals by pressing the Increase and Decrease buttons.

There are ten resistance levels. Note: After you press the buttons, it will take a moment for the pedals to reach the selected resistance level.



### 4 Follow your progress with the display.

The upper half of the display will show the elapsed time, the distance (in total revolutions) you have pedaled, and the resistance level of the pedals. The display will change modes every few seconds. Note: When a preset program is selected, the display will show the time remaining in the program instead of the elapsed time.

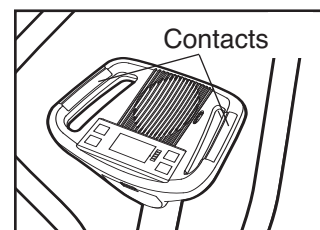


The lower half of the display will show your pedaling speed, in revolutions per minute (RPM), and the approximate number of calories you have burned. The display will change modes every few seconds. The lower half of the display will also show your heart rate when you use the handgrip pulse sensor (see step 5).



### 5 Measure your heart rate if desired.

If there are sheets of clear plastic on the metal contacts on the handgrip pulse sensor, remove the plastic. Next, hold the handgrip pulse



sensor with your palms resting on the contacts. When your pulse is detected, the heart-shaped indicator in the lower half of the display will flash each time your heart beats, and then your heart rate will appear in the display.

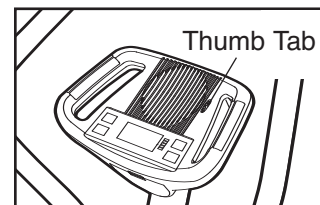
For the most accurate heart rate reading, continue to hold the handgrip pulse sensor for about 30 seconds. Note: If you continue to hold the handgrip pulse sensor, the display will show your heart rate for about 30 seconds. The display will then show your heart rate along with the other modes.

If your heart rate does not appear, make sure that your hands are positioned as described. Avoid moving your hands excessively or squeezing the metal contacts too tightly. For optimal performance, periodically clean the metal contacts using a soft cloth; **never use alcohol, abrasives, or chemicals to clean the contacts.**

### 6 Turn on the fan if desired.

To turn on the fan at low speed, press the Fan button. To turn on the fan at high speed, press the Fan button a second time. To turn off the fan, press the Fan button a third time. Note: If the fan is turned on but the pedals do not move for thirty seconds, the fan will automatically turn off to conserve the batteries.

Rotate the thumb tab on the right side of the fan to adjust the angle of the fan.



### 7 When you are finished exercising, the console will turn off automatically.

If the pedals do not move for a few seconds, the time will begin to flash in the display and the console will pause. If the pedals do not move for a few minutes, the console will turn off and the display will be reset.

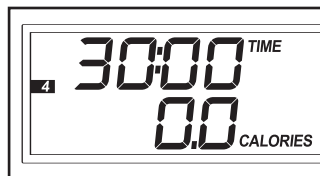
## HOW TO USE A PRESET PROGRAM

### 1 Turn on the console.

See step 1 on page 11.

### 2 Select a preset program.

To select a preset program, press the Program button repeatedly until the number 1, 2, 3, 4, 5, 6, 7, or 8 appears along the left side of the display. When you select a preset program, the display will show the length of the program.



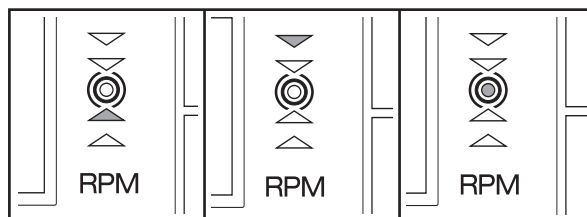
### 3 Begin pedaling to start the program.

Each preset program consists of several one-minute segments. One resistance level and one target pace are programmed for each segment.

At the end of each segment, the resistance level will flash in the display for a few seconds. The resistance of the pedals will then automatically change to the resistance level programmed for the next segment. Note: If the resistance level is too low or too high, you can override it by pressing the Increase and Decrease buttons. However, when the current segment ends, the resistance will automatically change to the resistance level programmed for the next segment.

During the program, the pace guide will prompt you to increase or decrease your pedaling pace.

When one of the two lower indicators lights, increase your pace; when one of the two upper indicators lights, decrease your pace. When the center indicator lights, maintain your current pace. **Important: The pace guide is intended only to provide a goal. Make sure to pedal at a pace that is comfortable for you.**



The display will show the time remaining in the program. If you stop pedaling for a few seconds, the program will pause and the time will flash in the display. To restart the program, simply resume pedaling.

### 4 Follow your progress with the display.

See step 4 on page 11.

### 5 Measure your heart rate if desired.

See step 5 on page 11.

### 6 Turn on the fan if desired.

See step 6 on page 11.

### 7 When you are finished exercising, the console will turn off automatically.

See step 7 on page 11.

---

# MAINTENANCE AND TROUBLESHOOTING

Inspect and tighten all parts of the elliptical exerciser regularly. Replace any worn parts immediately.

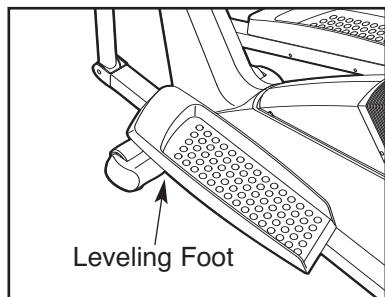
To clean the elliptical exerciser, use a damp cloth and a small amount of mild soap. **Important: To avoid damage to the console, keep liquids away from the console and keep the console out of direct sunlight.**

## BATTERY REPLACEMENT

If the console display becomes dim, the batteries should be replaced; most console problems are the result of low batteries. See assembly step 4 on page 6 for replacement instructions.

## HOW TO LEVEL THE ELLIPTICAL EXERCISER

After the elliptical exerciser has been moved to the location where it will be used, make sure that the ends of both stabilizers are touching the floor. If the elliptical exerciser



rocks slightly during use, turn one or both of the leveling feet under the front stabilizer until the rocking motion is eliminated.

## HANDGRIP PULSE SENSOR TROUBLESHOOTING

- Avoid moving your hands while using the handgrip pulse sensor. Excessive movement may interfere with heart rate readings.
- Do not hold the metal contacts too tightly; doing so may interfere with heart rate readings.
- For the most accurate heart rate reading, hold the metal contacts for about 30 seconds.
- For optimal performance of the handgrip pulse sensor, keep the metal contacts clean. The contacts can be cleaned with a soft cloth—never use alcohol, abrasives, or chemicals to clean the contacts.

# CONDITIONING GUIDELINES




## WARNING:

- Before beginning this or any exercise program, consult your physician. This is especially important for persons over the age of 35 or persons with pre-existing health problems.
- The pulse sensor is not a medical device. Various factors may affect the accuracy of heart rate readings. The pulse sensor is intended only as an exercise aid in determining heart rate trends in general.

The following guidelines will help you to plan your exercise program. Remember that proper nutrition and adequate rest are essential for successful results.

### EXERCISE INTENSITY

Whether your goal is to burn fat or to strengthen your cardiovascular system, the key to achieving the desired results is to exercise with the proper intensity. The proper intensity level can be found by using your heart rate as a guide. The chart below shows recommended heart rates for fat burning, maximum fat burning, and cardiovascular (aerobic) exercise.

165	155	145	140	130	125	115	
145	138	130	125	118	110	103	
125	120	115	110	105	95	90	
20	30	40	50	60	70	80	

To find the proper heart rate for you, first find your age at the bottom of the chart (ages are rounded off to the nearest ten years). Next, find the three numbers above your age. The three numbers are your “training zone.” The lower two numbers are recommended heart rates for fat burning; the highest number is the recommended heart rate for aerobic exercise.

### Fat Burning

To burn fat effectively, you must exercise at a relatively low intensity level for a sustained period of time.

During the first few minutes of exercise, your body uses easily accessible *carbohydrate* calories for energy. Only after the first few minutes of exercise does your body begin to use stored *fat* calories for energy. If your goal is to burn fat, adjust the intensity of your exercise until your heart rate is near the lowest number in your training zone as you exercise.

For maximum fat burning, adjust the intensity of your exercise until your heart rate is near the middle number in your training zone as you exercise.

### Aerobic Exercise

If your goal is to strengthen your cardiovascular system, your exercise must be “aerobic.” Aerobic exercise is activity that requires large amounts of oxygen for prolonged periods of time. This increases the demand on the heart to pump blood to the muscles, and on the lungs to oxygenate the blood. For aerobic exercise, adjust the intensity of your exercise until your heart rate is near the highest number in your training zone as you exercise.

### WORKOUT GUIDELINES

Each workout should include the following three parts:

**A warm-up**, consisting of 5 to 10 minutes of stretching and light exercise. A proper warm-up increases your body temperature, heart rate, and circulation in preparation for exercise.

**Training zone exercise**, consisting of 20 to 30 minutes of exercising with your heart rate in your training zone. Note: During the first few weeks of your exercise program, do not keep your heart rate in your training zone for longer than 20 minutes.

**A cool-down**, with 5 to 10 minutes of stretching. This will increase the flexibility of your muscles and will help to prevent post-exercise problems.

### EXERCISE FREQUENCY

To maintain or improve your condition, complete three workouts each week, with at least one day of rest between workouts. After a few months of regular exercise, you may complete up to five workouts each week if desired. The key to success is to make exercise a regular and enjoyable part of your everyday life.

## SUGGESTED STRETCHES

The correct form for several basic stretches is shown at the right. Move slowly as you stretch—never bounce.

### 1. Toe Touch Stretch

Stand with your knees bent slightly and slowly bend forward from your hips. Allow your back and shoulders to relax as you reach down toward your toes as far as possible. Hold for 15 counts, then relax. Repeat 3 times. Stretches: Hamstrings, back of knees and back.

### 2. Hamstring Stretch

Sit with one leg extended. Bring the sole of the opposite foot toward you and rest it against the inner thigh of your extended leg. Reach toward your toes as far as possible. Hold for 15 counts, then relax. Repeat 3 times for each leg. Stretches: Hamstrings, lower back and groin.

### 3. Calf/Achilles Stretch

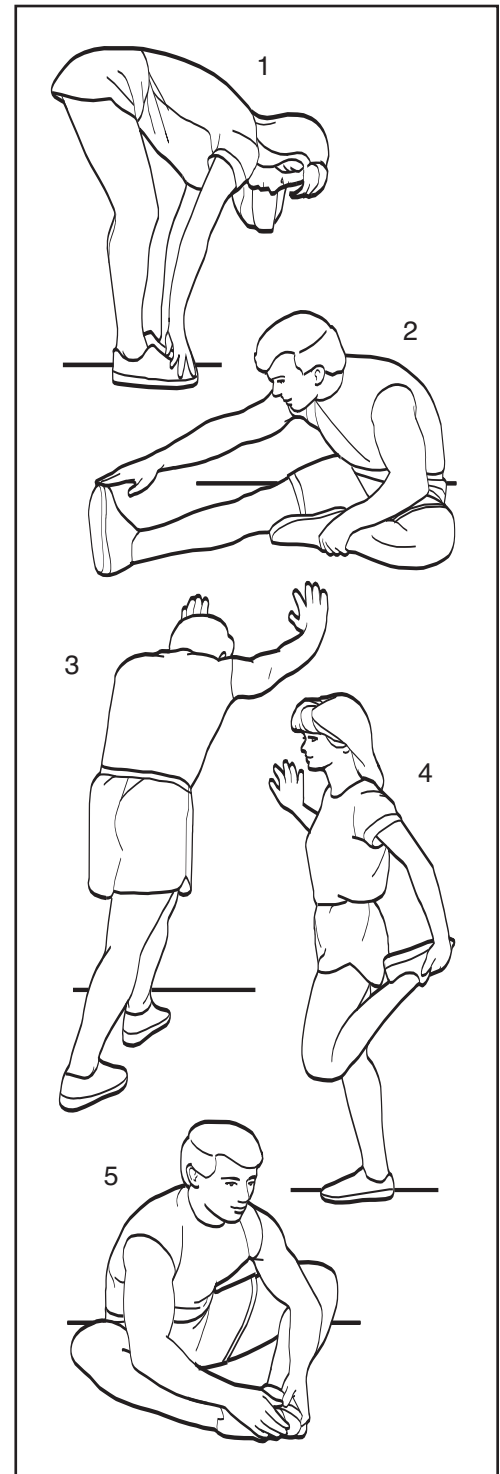
With one leg in front of the other, reach forward and place your hands against a wall. Keep your back leg straight and your back foot flat on the floor. Bend your front leg, lean forward and move your hips toward the wall. Hold for 15 counts, then relax. Repeat 3 times for each leg. To cause further stretching of the achilles tendons, bend your back leg as well. Stretches: Calves, achilles tendons and ankles.

### 4. Quadriceps Stretch

With one hand against a wall for balance, reach back and grasp one foot with your other hand. Bring your heel as close to your buttocks as possible. Hold for 15 counts, then relax. Repeat 3 times for each leg. Stretches: Quadriceps and hip muscles.

### 5. Inner Thigh Stretch

Sit with the soles of your feet together and your knees outward. Pull your feet toward your groin area as far as possible. Hold for 15 counts, then relax. Repeat 3 times. Stretches: Quadriceps and hip muscles.





---

# NOTES

---

# NOTES

# PART LIST—Model No. HREL3006.0

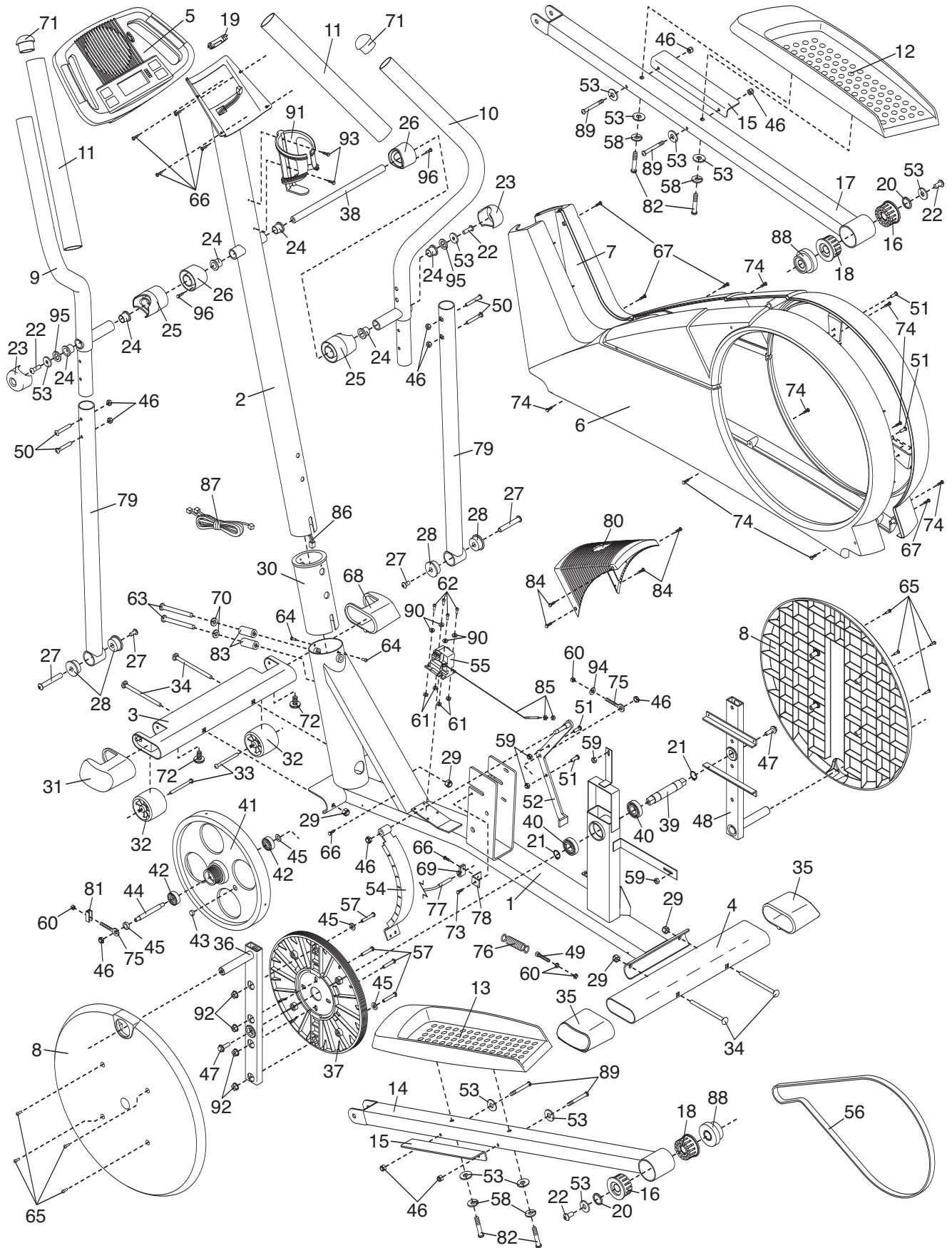
R0706A

Key No.	Qty.	Description	Key No.	Qty.	Description
1	1	Frame	51	4	M6 x 18mm Bolt
2	1	Upright	52	1	“C” Magnet Bracket
3	1	Front Stabilizer	53	12	M8.5 Washer
4	1	Rear Stabilizer	54	1	“C” Magnet
5	1	Console	55	1	Motor
6	1	Left Side Shield	56	1	Belt
7	1	Right Side Shield	57	4	M8 x 47mm Button Bolt
8	2	Pedal Disc	58	4	M8 Split Washer
9	1	Left Handlebar	59	4	M6 Nylon Locknut
10	1	Right Handlebar	60	4	M6 Nut
11	2	Foam Grip	61	4	M5 Nylon Locknut
12	1	Right Pedal	62	4	M5 x 12mm Bolt
13	1	Left Pedal	63	2	M10 x 88mm Button Screw
14	1	Left Pedal Leg	64	2	M4 x 6mm Self-tapping Screw
15	2	Pedal Bracket	65	8	M5 x 33mm Screw
16	2	Outer Pedal Leg Bushing	66	6	M4 x 16mm Screw
17	1	Right Pedal Leg	67	4	M4 x 25mm Screw
18	2	Inner Pedal Leg Bushing	68	1	Right Front Endcap
19	1	Upright Endcap	69	1	Reed Switch Clamp
20	2	Large Wave Washer	70	2	M10 Split Washer
21	2	Snap Ring	71	2	Handlebar Endcap
22	4	M8 x 25mm Patch Screw	72	2	Leveling Foot
23	2	Handlebar Cap	73	1	M5 x 16mm Screw
24	6	Handlebar Bushing	74	8	M4 x 19mm Screw
25	2	Handlebar Spacer	75	2	M6 Eyebolt
26	2	Upright Spacer	76	1	Spring
27	2	M10 x 52mm Bolt Set	77	1	Reed Switch
28	4	Front Flex Bushing	78	1	Reed Switch Bracket
29	4	M10 Nylon Locknut	79	2	Handlebar Leg
30	1	Upright Bushing	80	1	Side Shield Cover
31	1	Left Front Endcap	81	1	“U” Bracket
32	2	Wheel	82	4	M8 x 50mm Button Screw
33	2	M6 x 72mm Button Screw	83	2	Frame Spacer
34	4	M10 x 112mm Carriage Bolt	84	4	M4 x 12mm Tap Screw
35	2	Rear Stabilizer Endcap	85	1	Resistance Cable
36	1	Left Crank Arm	86	1	Upper Wire Harness
37	1	Pulley	87	1	Lower Wire Harness
38	1	Pivot Axle	88	2	Pedal Leg Spacer
39	1	Crank	89	4	M8 x 65mm Button Bolt
40	2	Crank Bearing	90	4	Motor Washer
41	1	Flywheel	91	1	Water Bottle Holder
42	2	Flywheel Bearing	92	4	M8 Nut
43	1	Magnet	93	2	M4 x 22mm Screw
44	1	Flywheel Axle	94	1	M6 Large Washer
45	4	M8.5mm Small Washer	95	2	Wave Washer
46	11	M8 Nylon Locknut	96	2	M3 x 16mm Screw
47	2	Crank Screw	#	2	Hex Key
48	1	Right Crank Arm	#	1	Grease
49	1	M6 x 25mm Bolt	#	1	User’s Manual
50	4	M8 x 45mm Button Bolt			

Note: “#” indicates a non-illustrated part. Specifications are subject to change without notice. See the back cover of this manual for information about ordering replacement parts.

# EXPLODED DRAWING—Model No. HREL3006.0

R0706A



---

# HOW TO ORDER REPLACEMENT PARTS

To order replacement parts, please see the front cover of this manual. To help us assist you, please be prepared to give the following information when contacting us:

- the MODEL NUMBER of the product (HREL3006.0)
- the NAME of the product (HEALTHRIDER C515e)
- the SERIAL NUMBER of the product (see the front cover of this manual)
- the KEY NUMBER and DESCRIPTION of the part(s) (see page 18)

## LIMITED WARRANTY

ICON Health & Fitness, Inc. (ICON) warrants this product to be free from defects in workmanship and material, under normal use and service conditions, for a period of ninety (90) days from the date of purchase. This warranty extends only to the original purchaser. ICON's obligation under this warranty is limited to replacing or repairing, at ICON's option, the product through one of its authorized service centers. All repairs for which warranty claims are made must be pre-authorized by ICON. If the product is shipped to a service center, freight charges to and from the service center will be the customer's responsibility. For in-home service, the customer will be responsible for a minimal trip charge. This warranty does not extend to any product or damage to a product caused by or attributable to freight damage, abuse, misuse, improper or abnormal usage or repairs not provided by an ICON authorized service center; products used for commercial or rental purposes; or products used as store display models. No other warranty beyond that specifically set forth above is authorized by ICON.

ICON is not responsible or liable for indirect, special or consequential damages arising out of or in connection with the use or performance of the product or damages with respect to any economic loss, loss of property, loss of revenues or profits, loss of enjoyment or use, costs of removal or installation or other consequential damages of whatsoever nature. Some states do not allow the exclusion or limitation of incidental or consequential damages. Accordingly, the above limitation may not apply to you.

The warranty extended hereunder is in lieu of any and all other warranties and any implied warranties of merchantability or fitness for a particular purpose is limited in its scope and duration to the terms set forth herein. Some states do not allow limitations on how long an implied warranty lasts. Accordingly, the above limitation may not apply to you.

This warranty gives you specific legal rights. You may also have other rights which vary from state to state.

**ICON HEALTH & FITNESS, INC., 1500 S. 1000 W., LOGAN, UT 84321-9813**