

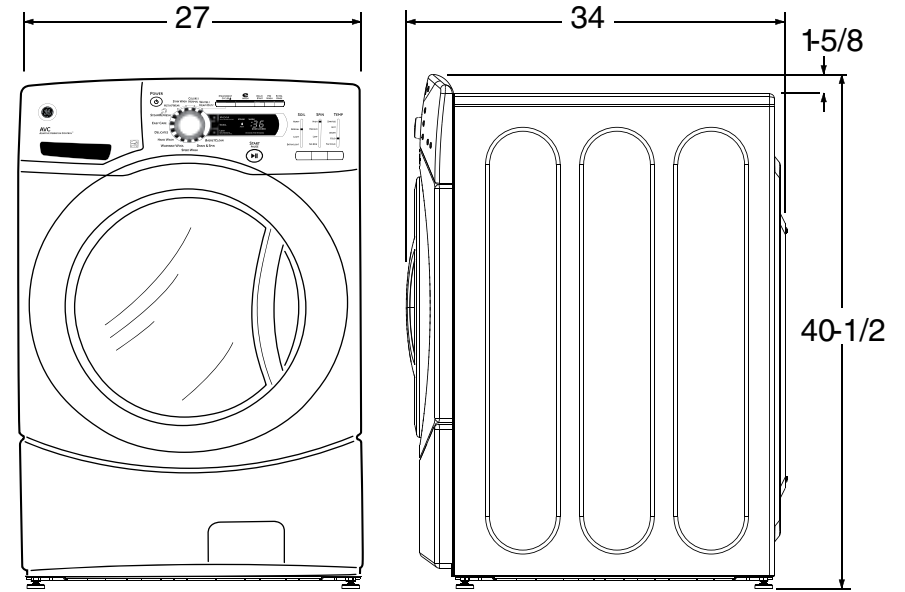
# GFWH2400L/GFWH2405L

GE® 4.9 IEC\* cu. ft. stainless steel capacity frontload washer

## Dimensions and Installation Information (in inches)

Electric Dryer Rating	
120V	12.0A, 60Hz

**Installation Information:** For complete information, see installation instructions packed with your washer.



For answers to your Monogram®, GE Profile™ or GE® appliance questions, visit our website at [ge.com](http://ge.com) or call GE Answer Center® service, 800.626.2000.



# GFWH2400L/GFWH2405L

## GE® 4.9 IEC\* cu. ft. stainless steel capacity frontload washer

### Alcove or Closet Installation:

- If your dryer is approved for installation in an alcove or closet, it will be stated on a label on the dryer back.
- The dryer MUST be exhausted to the outside.
- Minimum clearances between dryer cabinet and adjacent walls or other surfaces are: 0" either side, 3" front and rear
- Minimum vertical space from floor to overhead cabinets, ceilings, etc. is 52".
- Closet doors must be louvered or otherwise ventilated and must contain a minimum of 60 sq. in. of open area equally distributed. If this closet contains both a washer and a dryer, doors must contain a minimum of 120 sq. in. of open area equally distributed.
- No other fuel-burning appliance shall be installed in the same closet with a gas dryer.

### Bathroom or Bedroom Installation:

- The dryer MUST be exhausted to the outdoors.
- The installation must conform with the local codes, or in the absence of local codes, with the National Fuel Gas Code, ANSI Z223.

### Minimum Clearance other than Alcove or Closet Installations:

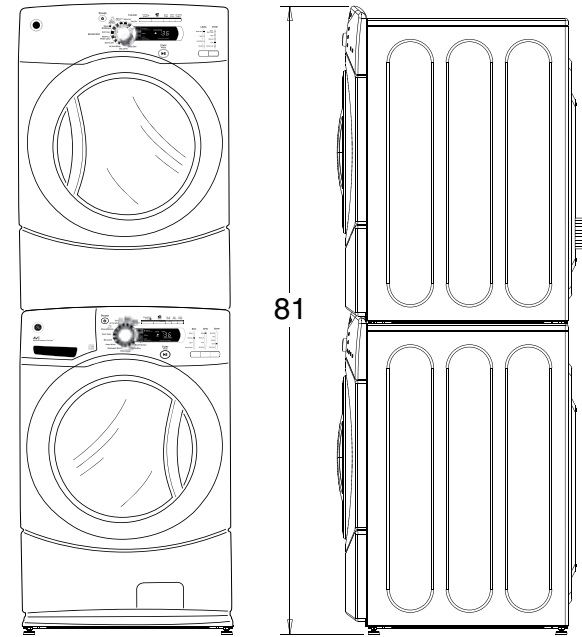
- Minimum clearances to combustible surfaces 0" both sides, 3" rear.

For more information on venting kits and accessories, please call 1-800-GE-CARES.

For answers to your Monogram®, GE Profile™ or GE® appliance questions, visit our website at [ge.com](http://ge.com) or call GE Answer Center® service, 800.626.2000.



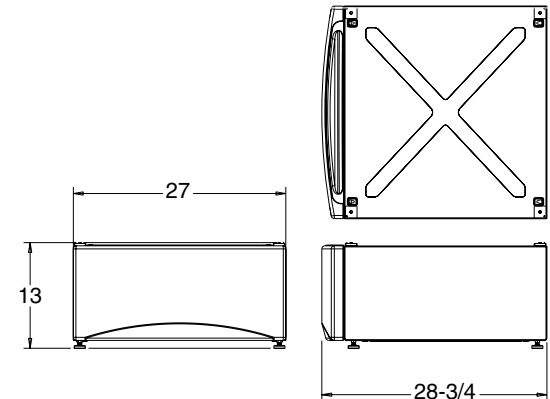
### Stacked Dimensions (in inches)



### Pedestal Dimensions (in inches)

#### SBSD137HWW - white

This optional 13" pedestal raises the door opening and height of the washer or dryer. Feet on 13" pedestal allow it to adjust to 13-3/8" height.

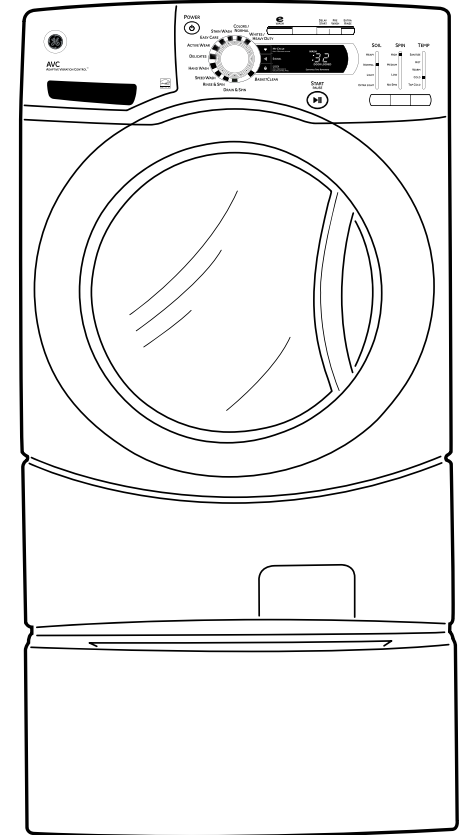


# GFWH2400L/GFWH2405L

## GE® 4.9 IEC\* cu. ft. stainless steel capacity frontload washer

### Features and Benefits

- ENERGY STAR® qualified and CEE Tier III rated - Meets or exceeds federal guidelines for energy efficiency for year-round energy and money savings
- Adaptive Vibration Control (AVC) - Laundry room on the second floor? No problem! AVC adapts and optimizes spin patterns reducing vibration and sound no matter where your laundry room is located
- eWash option - Energy-saving option uses a cold water wash on select cycles without sacrificing performance
- HydroHeater™ with sanitization - Internal water heater boosts incoming water temperature to brighten whites while helping eliminate common bacteria
- 1200 RPM spin speed - Fast spin speeds remove water efficiently and minimize dry time
- Stain wash cycle - Special cycle is designed to fight tough stains and provide a deep, thorough clean
- Speed Wash - Provides a quick wash for lightly soiled items that are needed in a hurry
- Adaptive fill - Washer automatically fills with just the right amount of water for the load
- Rinse and Spin - A fast, convenient way to remove odors and residue from items like swimsuits and towels
- ADA Compliant
- Model GFWH2400LWW – White on white
- Model GFWH2405LMS – Metallic silver
- Model GFWH2405LMV – Vermillion red



Modified Energy Factor (MEF)	2.61
Water Factor (WF)	3.9

