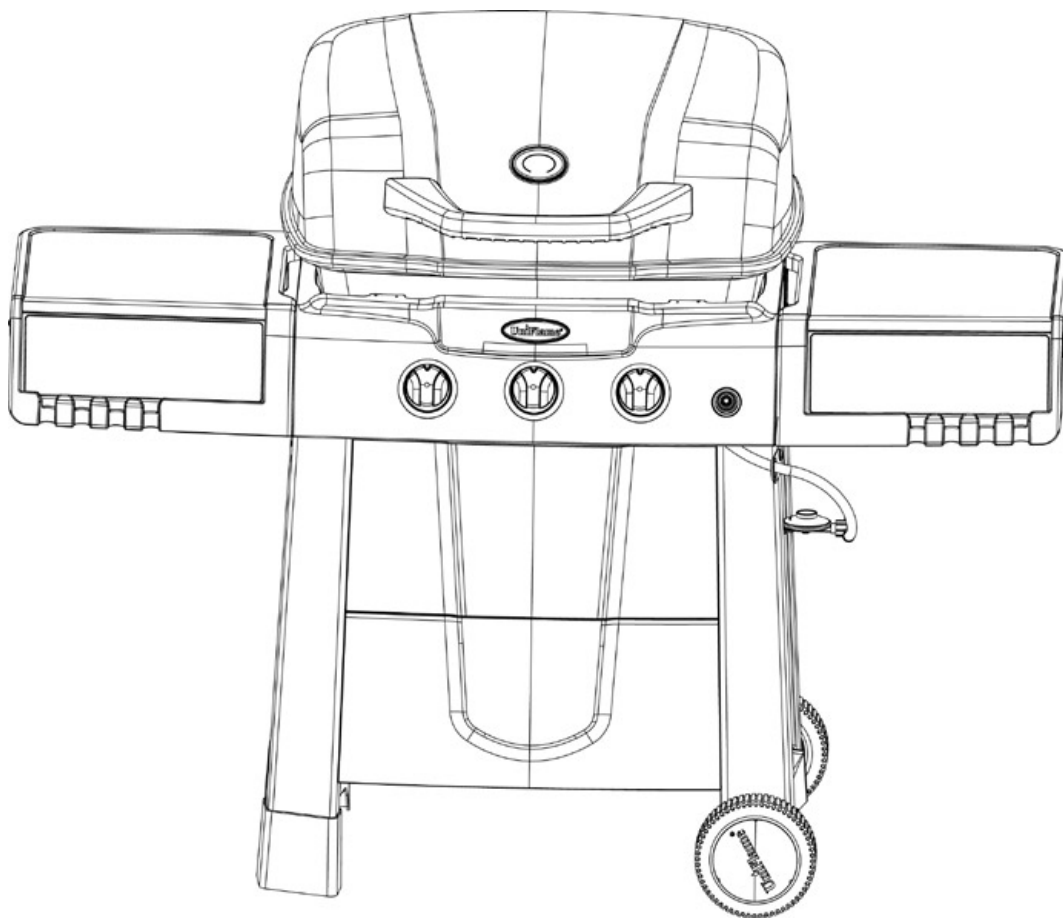




Outdoor LP Gas Barbecue Grill

Model No. GBC621CR-C



WARNING
FOR YOUR SAFETY:
 For Outdoor Use Only
 (outside any enclosure)

WARNING
FOR YOUR SAFETY:

1. Improper installation, adjustment, alteration, service or maintenance can cause injury or property damage.
2. Read the installation, operation, and maintenance instructions thoroughly before installing or servicing this equipment.
3. Failure to follow these instructions could result in fire or explosion, which could cause property damage, personal injury, or death.

California Proposition 65:
 Chemicals known to the State of California to cause cancer, birth defects, or other reproductive harm are created by the combustion of propane.

Save these instructions for future reference. If you are assembling this unit for someone else, give this manual to him or her to read and save for future reference.

Table of Contents

Important Safeguards	2
Assembly Instructions	3
Installing LP Gas Tank	6
Insert LP Gas Tank	6
Secure LP Gas Tank	6
Connect LP Gas Tank	6
Operating Instructions	7
Checking for Leaks	7
Operating Main Burners	7
Cleaning and Care	7
Product Registration	8
Limited Warranty	8
Troubleshooting	8
Exploded View & Hardware	Appendix A

The use and installation of this product must conform to local codes. In absence of local codes, use the *National Fuel Gas Code, ANSI Z223.1/NFPA 54, CAN/CGA-B149.1, Natural Gas and Propane Installation Code.*

Manufactured in China for:
 Blue Rhino Global Sourcing, LLC
 104 Cambridge Plaza Drive, Winston-Salem, NC 27104 USA
 1.800.762.1142, www.bluerhino.com

© 2005 Blue Rhino Global Sourcing, LLC. All Rights Reserved
 UniFlame® is a Registered Trademark of Blue Rhino Global Sourcing, LLC. All Rights Reserved





WARNING
FOR YOUR SAFETY

If you smell gas -

1. Shut off gas to appliance.
2. Extinguish any open flame.
3. Open lid.
4. If odor continues, immediately call your gas supplier or your fire department.

1. Do not store spare LP cylinder within 10 feet (3.05 m) of this appliance.
2. Do not store or use gasoline or other liquids with flammable vapors within 25 feet (7.62 m) of this or any other appliance.
3. An LP cylinder not connected for use shall not be stored in the vicinity of this or any other appliance.

Safety First

DANGERS and *Cautions*

1. This grill is for outdoor use only, and shall not be used in a building, garage, or any other enclosed area.
2. This grill is NOT for commercial use.
3. This grill is for use with liquid propane (LP) gas only. The conversion to or attempted use of natural gas in this LP gas grill is dangerous and will void your warranty.
4. LP gas Characteristics:
 - a. LP gas is flammable and hazardous if handled improperly. Become aware of the characteristics before using any LP gas product.
 - b. LP gas is explosive under pressure, heavier than air, and settles and pools in low areas.
 - c. LP gas in its natural state has no odor. For your safety, an odorant is added that smells like rotten cabbage.
 - d. Contact with LP gas can cause freeze burns to skin.
5. LP gas tank needed to operate. Only tanks marked "propane" may be used.
6. The LP gas supply tank must be constructed and marked in accordance with the *Specifications for LP gas Cylinders* of the U.S. Department of Transportation (DOT) or the National Standard of Canada, *CAN/CSA-B339, Cylinders, Spheres and Tubes for the Transportation of Dangerous Goods; and Commission*.
7. LP gas tank must be arranged for vapor withdrawal.
8. The LP gas tank must have a listed overfilling prevention device (OPD).
9. Only use 20-pound cylinders equipped with a cylinder connection device compatible with the connection for outdoor cooking appliances.
10. The LP gas tank must have a tank collar to protect the tank valve.
11. Never use an LP gas tank with a damaged body, valve, collar, or footing.
12. Dented or rusted LP gas tanks may be hazardous and should be checked by your LP gas supplier prior to use.
13. The LP gas tank should not be dropped or handled roughly.
14. Tanks must be stored outdoors out of the reach of children and must not be stored in a building, garage, or any other enclosed area. Your tank must never be stored where temperatures can reach over 125°F.
15. Never keep a filled LP gas tank in a hot car or car trunk. Heat will cause the gas pressure to increase, which may open the relief valve and allow gas to escape.
16. Never attempt to attach this grill to the self-contained LP gas system of a camper trailer, motor home, or house.
17. The use of alcohol, or prescription or non-prescription drugs may impair the consumer's ability to properly assemble or safely operate the appliance.
18. Never use charcoal, lighter fluid, lava rocks, gasoline, kerosene, or alcohol with this product.
19. Your grill has been checked at all factory connections for leaks. Recheck all connections, as movement in shipping can loosen connections.
20. Check for leaks even if your unit was assembled for you by someone else.
21. Do not operate if gas leak is present. Gas leaks may cause a fire or explosion.
22. You must follow all leak-checking procedures before operating. To prevent fire or explosion hazard when testing for a leak:
 - a. Always perform leak test before lighting the grill and each time the tank is connected for use.
 - b. No smoking. Do not use or permit sources of ignition in the area while conducting a leak test.
23. Do not store or use gasoline or other flammable liquids or vapors within 25 feet (7.62 m) of this appliance.
24. Do not use in an explosive atmosphere. Keep grill area clear and free from combustible materials, gasoline and other flammable vapors and liquids.
25. Keep all combustible items and surfaces at least 21 inches (53 cm) away from the grill at all times. DO NOT use this grill or any gas product under any overhead or near any unprotected combustible constructions.
26. It is essential to keep the grill's valve compartment, burners, and circulating air passages clean. Inspect grill before each use.
27. Do not alter grill in any manner.
28. Do not use the grill unless it is COMPLETELY assembled and all parts are securely fastened and tightened.
29. This grill should be thoroughly cleaned and inspected on a regular basis. Clean and inspect the hose before each use of the appliance. If there is evidence of abrasion, wear, cuts, or leaks, the hose must be replaced prior to the appliance being put into operation.
30. Use only the regulator and hose assembly provided. The replacement regulator and hose assembly shall be that specified by the manufacturer.
31. Use only Blue Rhino Global Sourcing, LLC. factory authorized parts. The use of any part that is not factory authorized can be dangerous. This will also void your warranty. Contact 1.800.762.1142.
32. Do not use this appliance without reading "Operating Instructions" in this manual.
33. Do not touch metal parts of grill until it has completely cooled (about 45 min.) to avoid burns, unless you are wearing protective gear (pot holders, gloves, BBQ mittens, etc.).
34. When cooking, fire extinguishing materials shall be readily accessible. In the event of an oil grease fire, do not attempt to extinguish with water. Use type BC dry chemical fire extinguisher or smother with dirt, sand or baking soda.
35. Do not install or use in or on boats or recreational vehicles.
36. Do not use grill in high winds.
37. Never lean over the grill when lighting.
38. Do not leave a lit grill unattended, especially keep children and pets away from grill at all times.
39. Do not attempt to move grill when in use. Allow the grill to cool before moving or storing.
40. Storage of grill indoors is permissible only if the tank is disconnected, removed from the grill and properly stored outdoors.
41. Always open grill lid carefully and slowly as heat and steam trapped within grill can severely burn you.
42. Do not attempt to disconnect the gas regulator from the tank or any gas fitting while the grill is in use.
43. Always place your grill on a hard non-combustible, level surface. An asphalt or blacktop surface may not be acceptable for this purpose.
44. Do not use on wooden decks.
45. Move gas hoses as far away as possible from hot surfaces and dripping hot grease.
46. Keep all electrical cords away from a hot grill.
47. Do not use grill for indoor cooking or heating. TOXIC fumes can accumulate and cause asphyxiation.
48. After a period of storage and/or nonuse, check for leaks, burner obstructions and inspect for any abrasion, wear, cuts to the hose.
49. Failure to open lid while igniting the grill's burners, or not waiting 5 minutes to allow the gas to clear if the grill does not light, may result in an explosive flame-up.
50. If grill is not in use, the gas must be turned off at the supply tank.
51. Never operate grill without heat plates installed.
52. Always use a meat thermometer to ensure food is cooked to a safe temperature.
53. Do not store a spare LP gas tank under or near this appliance.
54. Never fill the tank beyond 80 percent full.
55. Deaths, serious injury or damage to property may occur if the above is not followed exactly.

Assembly Instructions

DO NOT RETURN PRODUCT TO STORE.

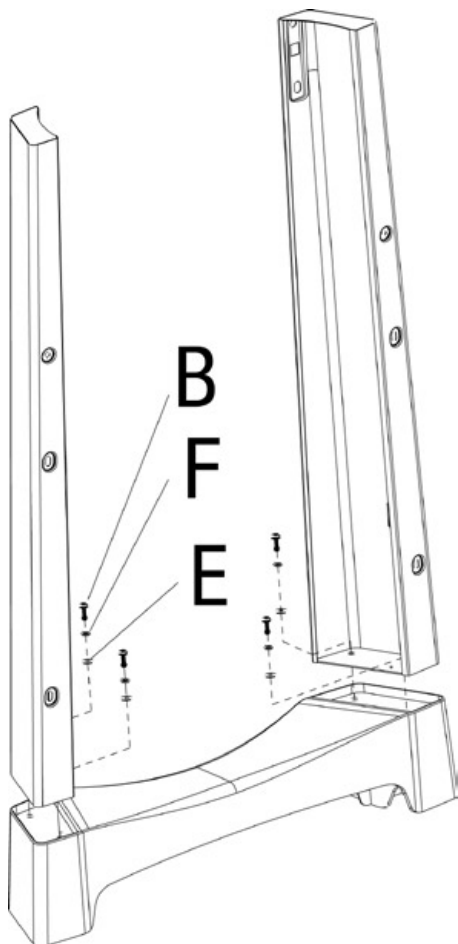
For assistance call 1.800.762.1142 toll free. Please have your owner's manual and serial number available for reference.

For Easiest Assembly:

- To avoid losing any small components or hardware, assemble your product on a hard level surface that does not have cracks or openings.
- Clear an area large enough to layout all components and hardware.
- When applicable, tighten all hardware connections by hand first. Once the step is completed, go back and fully tighten all hardware.
- Follow all steps in order to properly assemble your product.

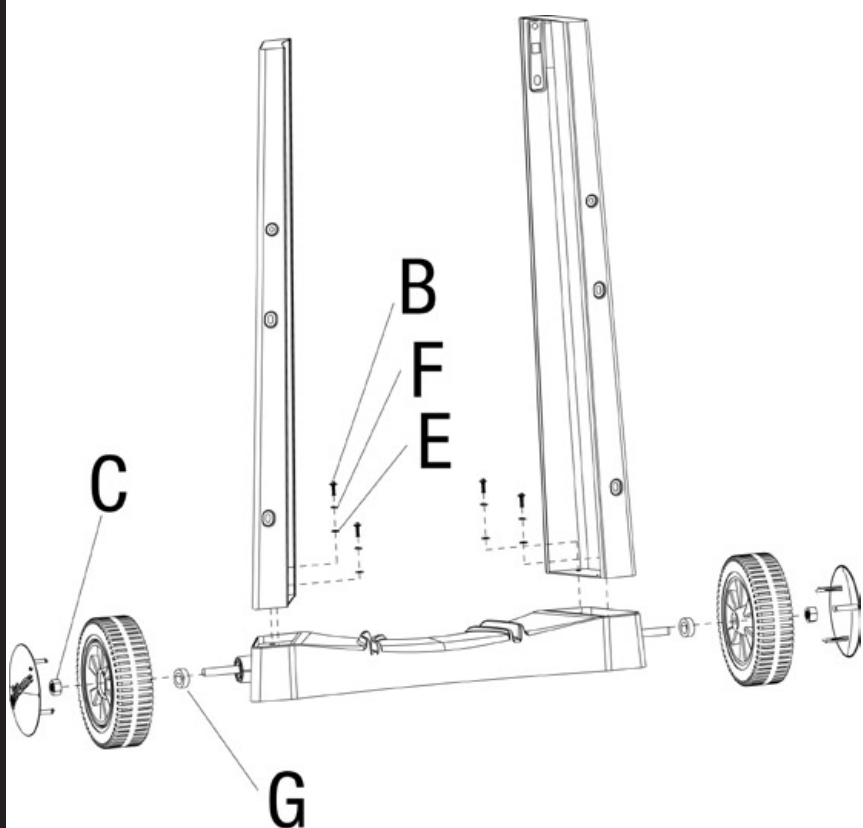
Step 1 Assemble left cart frame

Attach left front and rear legs to frame support using 4 sets of large screws (B), lock washers (F), and washers (E).



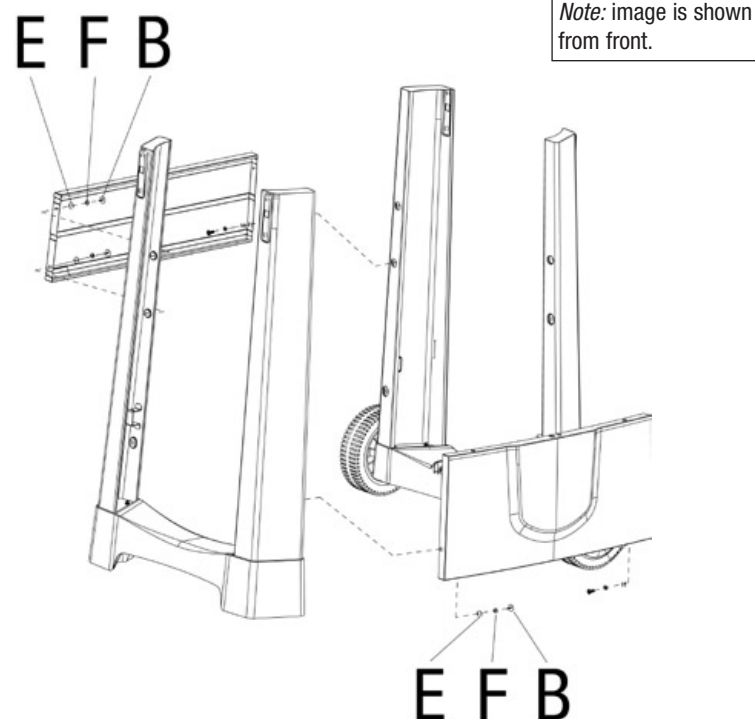
Step 2 Assemble right cart frame

- Attach right front and rear legs to LP tank support using 4 sets of large screws (B), lock washers (F), and washers (E).
- Insert axle into LP tank support.
- Insert rubber spacer (G) and wheels onto axle. Secure using 2 nuts (C).
- Place hub caps onto wheels.



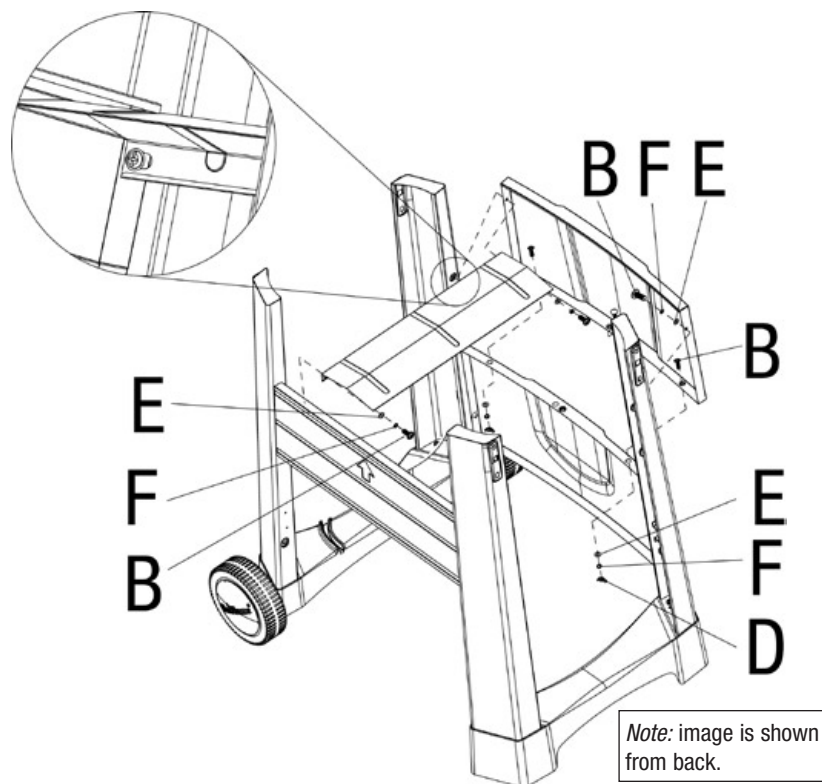
Step 3 Assemble cart

- Attach back frame support to left and right legs using 3 sets of large screws (B), lock washers (F), and washers (E).
- Attach front bottom panel to left and right legs using 2 sets of large screws (B), lock washers (F), and washers (E).



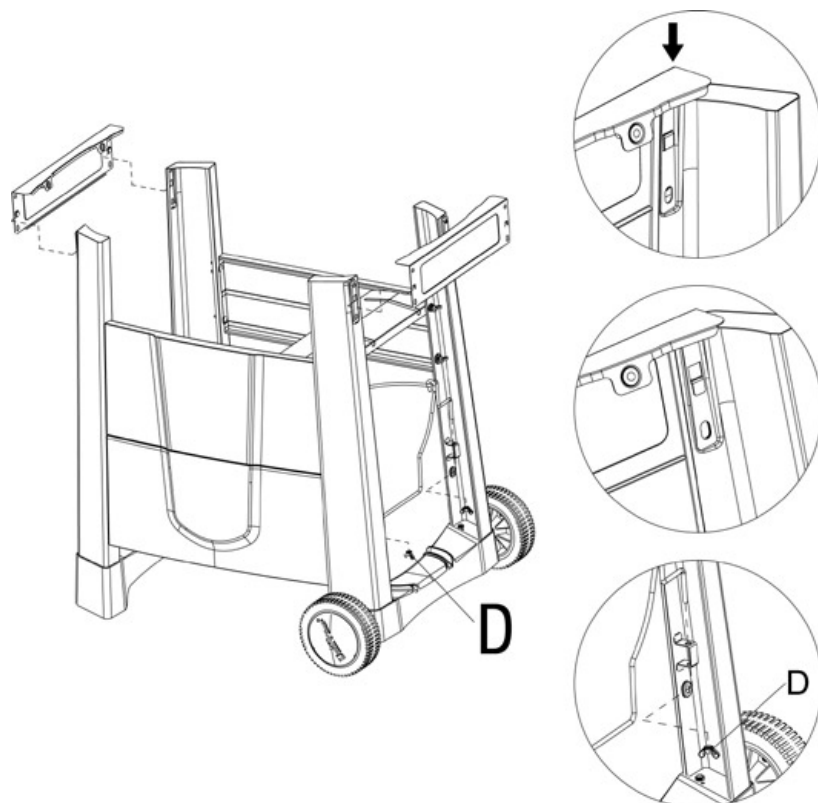
Step 4 Assemble cart 2

- Attach front top panel and LP tank heat resistant plate to left and right legs using 3 sets of large screws (B), lock washers (F), and washers (E).
- Secure front bottom panel to front top panel using 2 sets of large screw (B), lock washer (F), washer (E), and wing nuts (D).



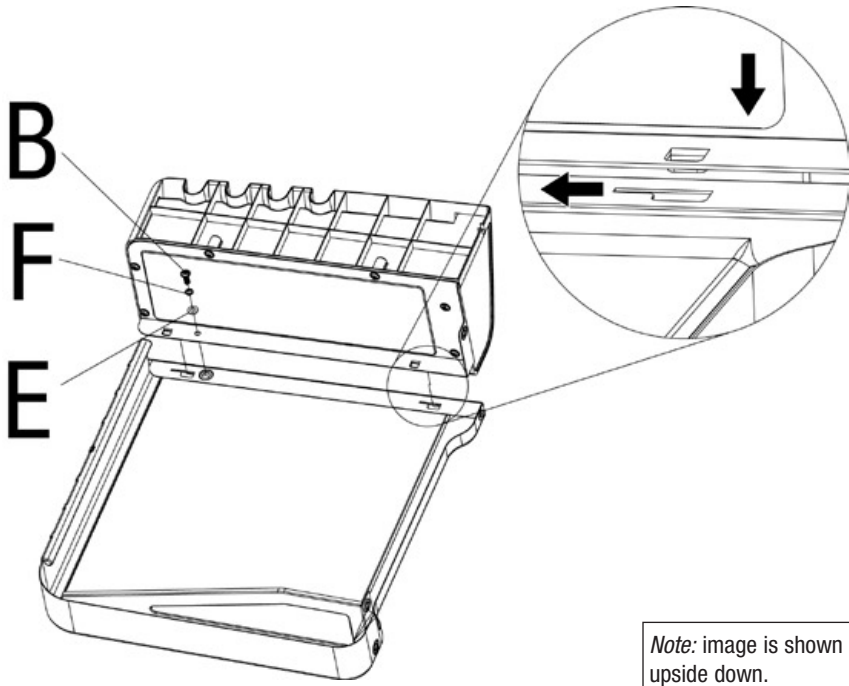
Step 5 Attach frame braces and LP tank support wire

- Insert frame braces into slots on left and right cart frames.
- Attach LP tank support wire to right cart frame using 2 wing nuts (D).



Step 6 Assemble left side shelf

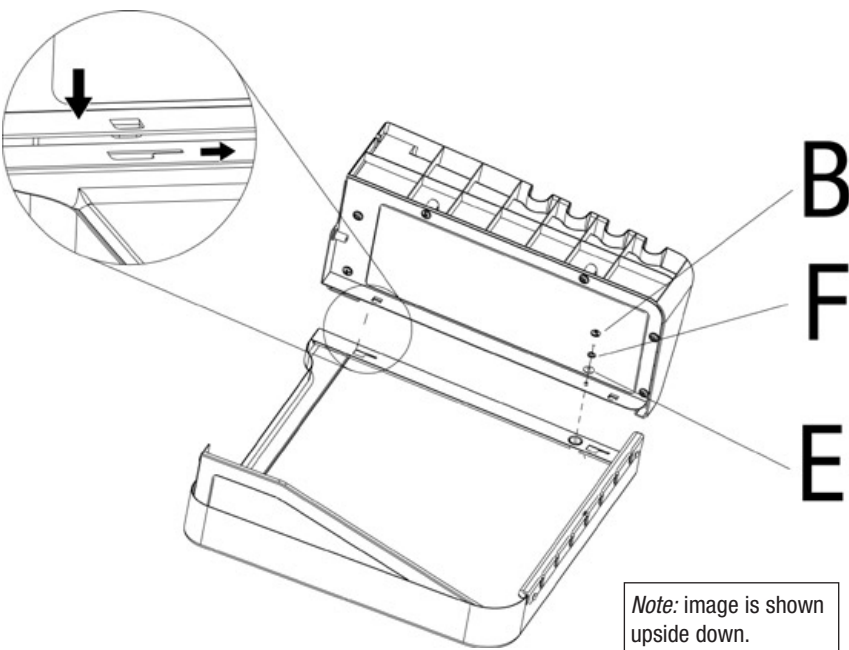
- A. Insert tabs on left condiment holder into slots on left side shelf and slide left.
- B. Secure left condiment holder to left side shelf using large screw (B), lock washer (F) and washer (E).



Note: image is shown upside down.

Step 7 Assemble right side shelf

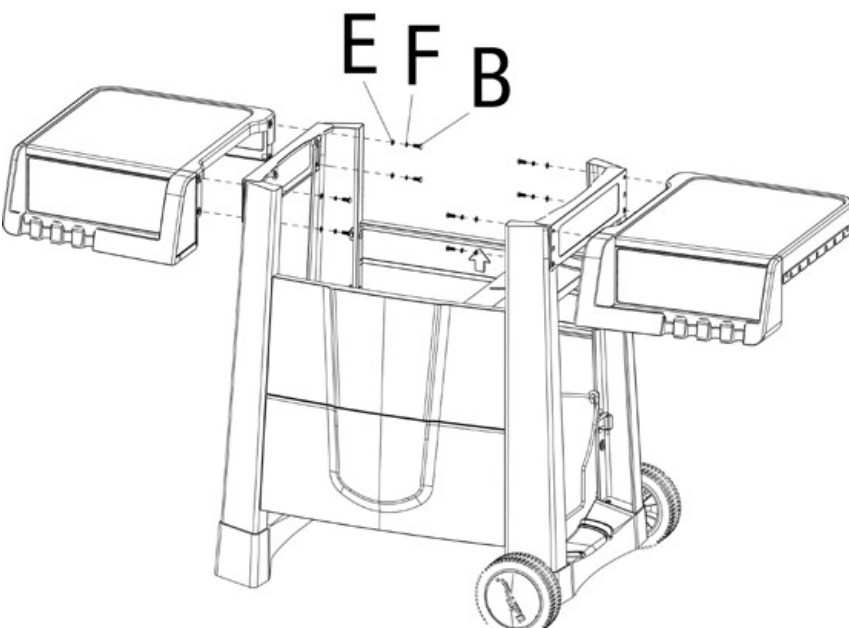
- A. Insert tabs on right condiment holder into slots on right side shelf and slide right.
- B. Secure right condiment holder to right side shelf using large screw (B), lock washer (F) and washer (E).



Note: image is shown upside down.

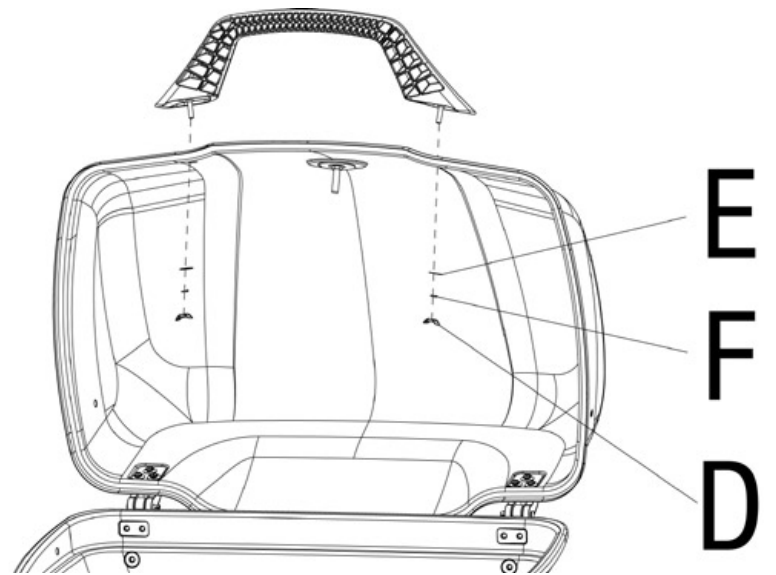
Step 8 Attach side shelves

- A. Attach left and right side shelves to cart frame using 8 sets of large screws (B), lock washers (F), and washers (E).



Step 9 Attach handle to lid

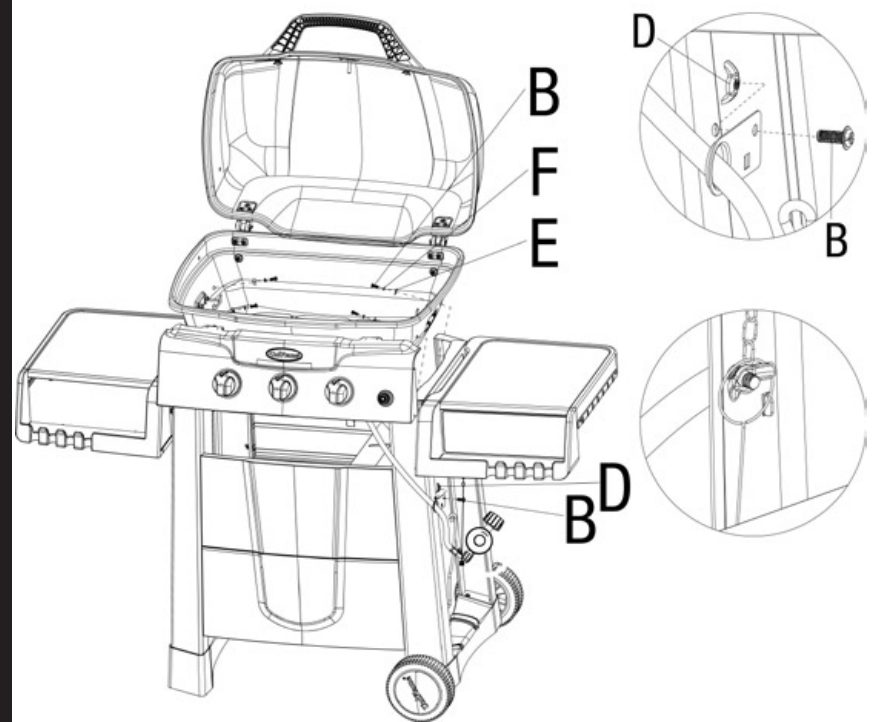
- A. Attach handle to lid using 2 sets of washers (E), lock washers (F), and wing nuts (D).



Step 10 Secure grill body to cart frame

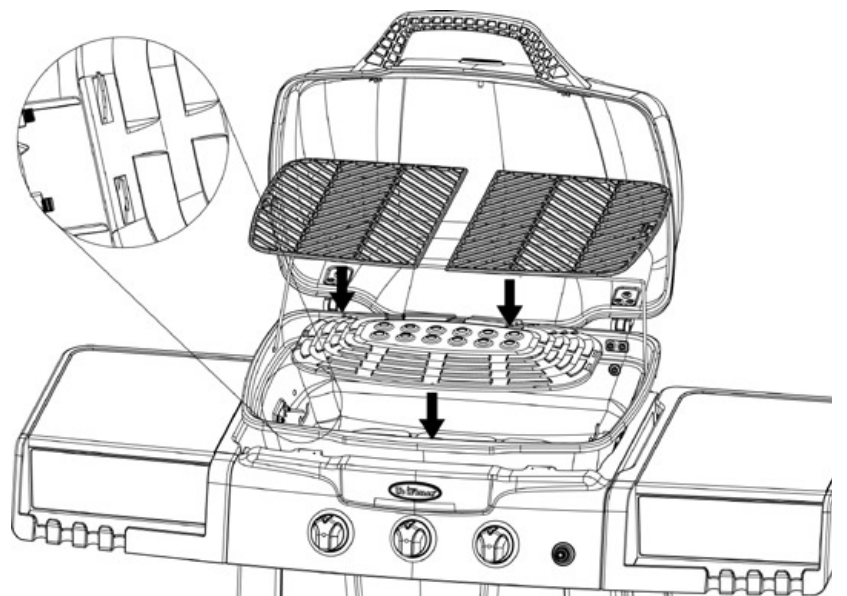
- A. Secure grill body to cart frame using 4 sets of large screws (B), lock washers (F), and washers (E).
- B. Attach regulator hose bracket to cart frame using large screw (B) and wing nut (D).

Note: When not in use, the lighting hook can be hung from regulator hose bracket wing nut.



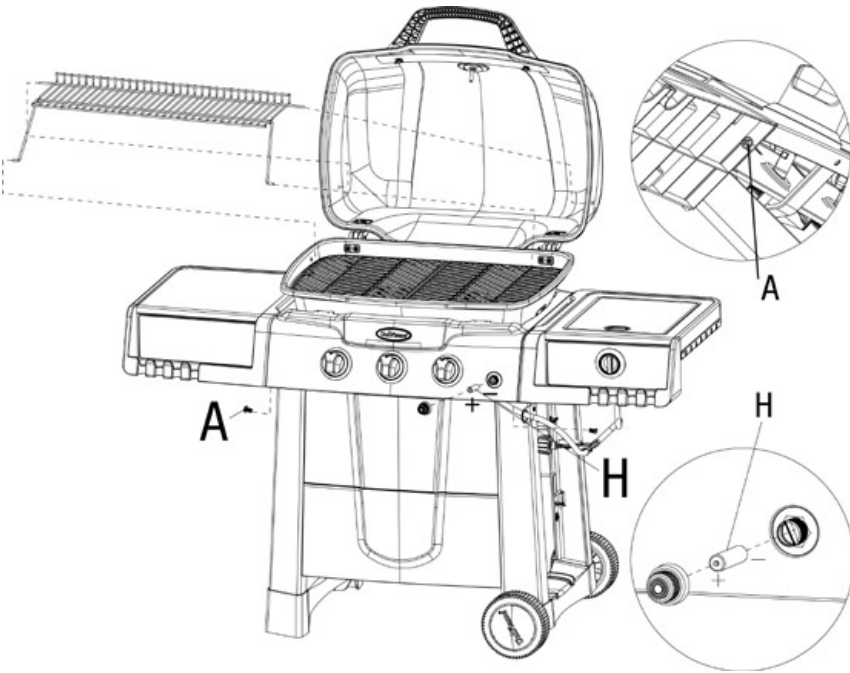
Step 11 Insert heat plate and cooking grids

- A. Place heat plate onto heat plate supports.
- B. Place left and right cooking grids into grill body.



Step 12 **Secure side shelves, attach warming rack and insert battery**

- A. Place warming rack with legs down onto sides of grill body and lid.
- B. Unscrew ignition button on control panel.
- C. Remove protective cover from AA Battery (H).
- D. Insert battery with positive (+) end facing out.
- E. Replace ignition button turning clockwise.
- F. Secure control panel to left and right side shelf using 2 small screws (A).

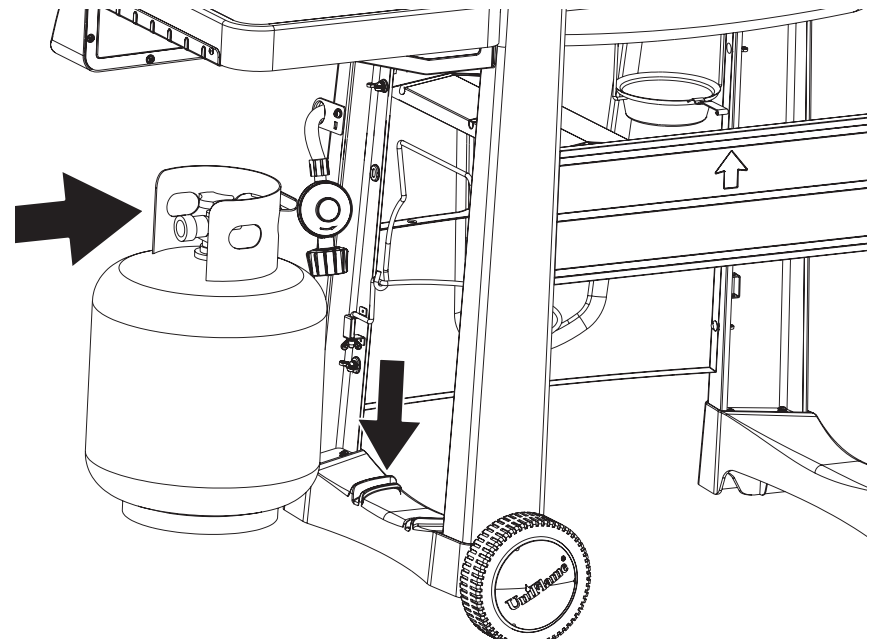


Installing LP Gas Tank

To operate you will need (1) precision-filled standard grill LP gas tank (20#) with external valve threads.

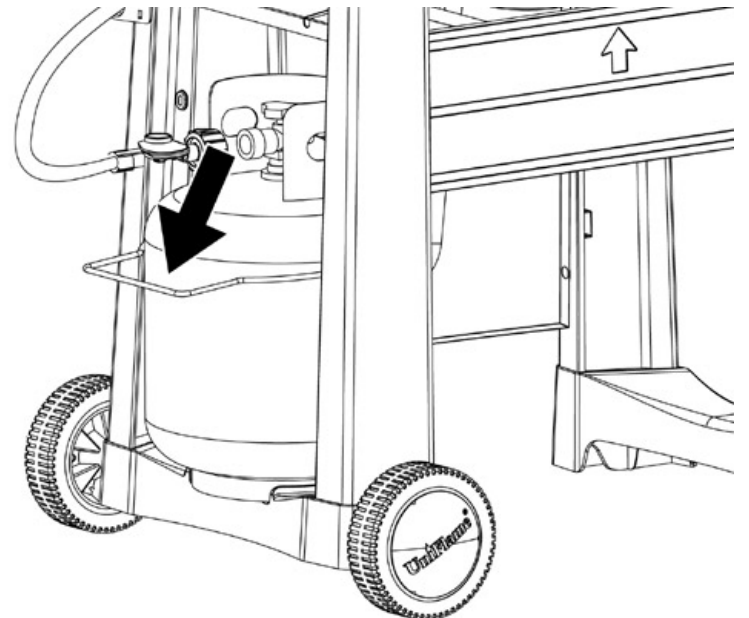
Insert LP Gas Tank

Place precision filled LP gas tank into hole in grill body upright so it is arranged for vapor withdrawal.



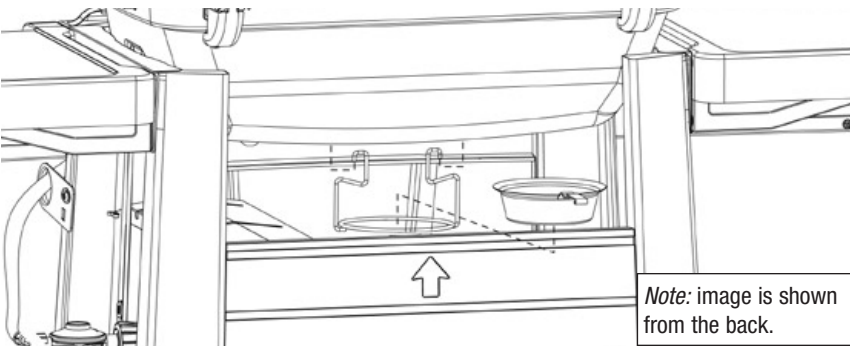
Secure LP Gas Tank

Secure tank by sliding tank retainer wire over shoulder of LP gas tank.



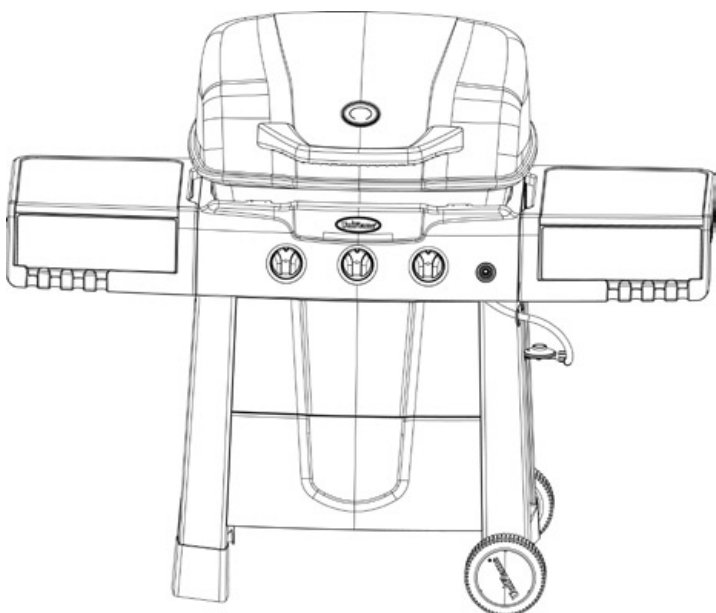
Step 13 **Attach grease cup**

- A. Hang grease cup support from bottom of grill body.
- B. Insert grease cup into grease cup support.



Step 14 **Completed**

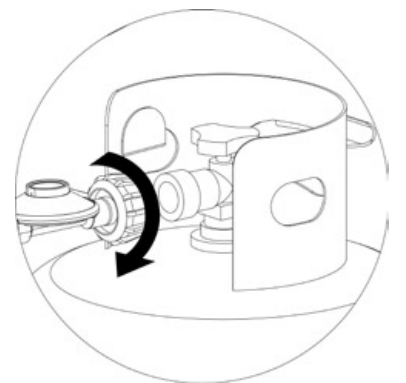
Congratulations your assembly is now complete. Read Operating Instructions before proceeding.



Connect LP Gas Tank

Before connecting, be sure that there is no debris caught in the head of the gas tank, head of the regulator valve or in the head of the burner and burner ports.

Connect gas line to tank by turning knob clockwise until it stops.





Operating Instructions

Checking for Leaks

Burner Connections

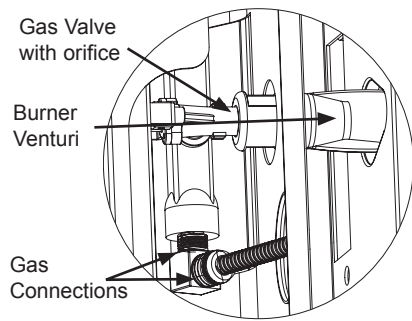
Make sure the regulator valve and hose connections are securely fastened to the burner and the tank.

If your unit was assembled for you, visually check the connection between the burner pipe and orifice. Make sure the burner pipe fits over the orifice.

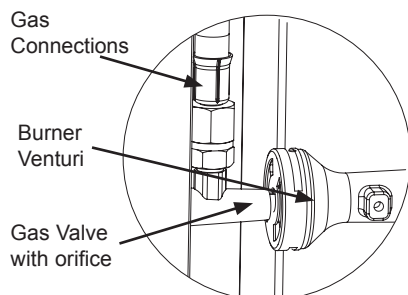
WARNING: Failure to inspect this connection or follow these instructions could cause a fire or an explosion which can cause death, serious bodily injury, or damage to property.

Please refer to diagram for proper installation.

If the burner pipe does not rest flush to the orifice, please contact 1.800.762.1142 for assistance.



Main Burners



Side Burner

Tank/Gas Line Connection

Make 2-3 oz. of leak solution by mixing one part liquid dishwashing soap with three parts water.

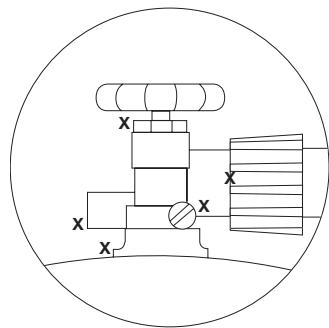
Make sure control knobs are off.

Turn LP gas tank ON at valve.

Spoon leak check solution at all "x" locations

If any bubbles appear turn LP gas tank OFF, reconnect and re-test. If you continue to see bubbles after several attempts, disconnect LP gas source and contact 1.800.762.1142 for assistance.

If no bubbles appear after one minute turn tank OFF, wipe away solution and proceed.



Operating Main Burners

Lighting

1. Open lid. **Attempting to light the burner with the lid closed may cause an explosion!**

2. Make sure there are no obstructions of airflow to the gas unit. Spiders and insects can nest within and clog the burner / venturi tube at the orifice. **A clogged burner tube can lead to a fire beneath the appliance.**

3. All control knobs must be in the OFF position.

4. Turn on gas at LP gas tank.

5. Push and turn control knob counterclockwise to HIGH.

6. Press the electronic igniter button and hold for 5 seconds to light burner.

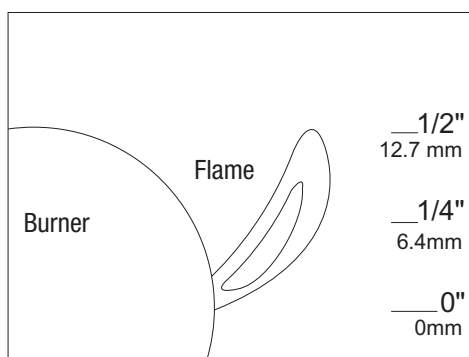
7. If ignition does not occur in 5 seconds, turn burner control knob OFF, wait 5 minutes, and repeat lighting procedure.

8. If igniter does not light burner, use a lit match secured with the lighting rod provided to light burners manually. Access the burners through the cooking grid and heat plates. Position the lit match near side of the burner.

Important: Always use the lighting rod provided when lighting burners with a match.

9. After lighting, observe the burner flame, make sure all burner ports are lit and flame height matches illustration.

CAUTION: If burner flame goes out during operation, immediately turn the gas "OFF" and open lid to let the gas clear for about 5 minutes before re-lighting.



Main burner proper flame height.

Turning Off

1. Turn all control knobs clockwise to the OFF position one at a time.

2. Turn gas off at LP tank.

Initial Use

Before cooking on this grill for the first time, operate the grill for about 15 minutes with the lid closed and the gas turned on "HIGH." This will "heat clean" the internal parts and dissipate odor from the manufacturing processes.

Direct Cooking

1. Light burners per lighting instructions.
2. Set burners to desired level and allow temperature to be reached.
3. Place food directly over burners.
4. With lid open or closed, cook until desired internal temperatures are achieved.

Indirect Cooking

Ideal for roasts and larger cuts of meat.

1. Remove cooking grid.
2. Place metal tray in center, on heat plates.
3. Replace cooking grid.
4. Light burners.
5. Turn center burner off. Set outside burners to desired level and allow temperature to be reached.
6. Place food on cooking grid, directly over metal tray.
7. With lid closed, cook until desired internal temperatures are achieved.

Tips For Better Cook Outs and Longer Product Life

1. Spray or coat cooking surfaces with vegetable oil before cooking to avoid sticking.
2. Place vegetables or delicate foods into aluminum foil pouches.
3. Use a quality grill brush after each event to keep cooking surfaces clean and rust free.
4. Empty grease pan after every use.

CAUTION: Do not cover grill until it is completely cool to the touch.

Cleaning and Care

Caution

1. All cleaning and maintenance should be done when grill is cool and with the fuel supply disconnected.
2. DO NOT clean any grill part in a self cleaning oven. The extreme heat will damage the finish.

Notices

1. Abrasive cleaners will damage this product.
2. Never use oven cleaner to clean any part of grill.
3. Do not clean any grill part in a self cleaning oven. The extreme heat will damage the finish.

Cleaning Surfaces

1. Wipe surfaces clean with mild dishwashing detergent or baking soda.
2. For stubborn surfaces use a citrus based degreaser and a nylon scrubbing brush.
3. Rinse clean with water.

Cleaning Main Burner

1. Turn gas off at the control knobs and LP gas tank.
2. Remove cooking grates and heat plates.
3. Remove burner by removing the fasteners securing the burner to the grill bottom.
4. Lift burner up and away from gas valve orifice.
5. Disconnect wire from spark electrode.
6. Clean inlet (venturi) of burner with small bottle brush or compressed air.
7. Remove all food residue and dirt on burner surface.
8. Clean any clogged ports with a stiff wire (such as an opened paper clip)
9. Inspect burner for any damage (cracks or holes). If damage is found, replace with new burner.
10. Reinstall burner, check to insure that gas valve orifice is correctly positioned inside burner inlet (venturi). Also check position of spark electrode.

Product Registration

Please register your product immediately at www.BlueRhino.com or call 1.800.762.1142.

Limited Warranty

Blue Rhino Global Sourcing, LLC (“Vendor”) warrants to the original retail purchaser of this grill, and to no other person, that if this grill is assembled and operated in accordance with the printed instructions accompanying it, then for a period of one (1) year from the date of purchase, all parts in such grill shall be free from defects in material and workmanship. Vendor may require reasonable proof of your date of purchase from an authorized retailer or distributor. Therefore, you should retain your sales slip or invoice. This Limited Warranty shall be limited to the repair or replacement of parts, which prove defective under normal use and service and which Vendor shall determine in its reasonable discretion upon examination to be defective. Before returning any parts, you should contact Vendor’s Customer Service Department using the contact information listed below. If Vendor confirms, after examination, a defect covered by this Limited Warranty in any returned part, and if Vendor approves the claim, Vendor will replace such defective part without charge. If you return defective parts, transportation charges must be prepaid by you. Vendor will return replacement parts to the original retail purchaser, freight or postage prepaid.

This Limited Warranty does not cover any failures or operating difficulties due to accident, abuse, misuse, alteration, misapplication, improper installation or improper maintenance or service by you or any third party, or failure to perform normal and routine maintenance on the grill, as set out in this owner’s manual. In addition, the Limited Warranty does not cover damage to the finish, such as scratches, dents, discoloration, rust or other weather damage, after purchase.

This Limited Warranty is in lieu of all other express warranties. Vendor disclaims all warranties for products that are purchased from sellers other than authorized retailers or distributors. AFTER THE PERIOD OF THE ONE (1)-YEAR EXPRESS WARRANTY, VENDOR DISCLAIMS ANY AND ALL IMPLIED WARRANTIES, INCLUDING WITHOUT LIMITATION THE IMPLIED WARRANTIES OF MERCHANTABILITY AND FITNESS FOR A PARTICULAR PURPOSE. FURTHER, VENDOR SHALL HAVE NO LIABILITY WHATSOEVER TO PURCHASER OR ANY THIRD PARTY FOR ANY SPECIAL, INDIRECT, PUNITIVE, INCIDENTAL, OR CONSEQUENTIAL DAMAGES. Vendor assumes no responsibility for any defects caused by third parties. This Limited Warranty gives the purchaser specific legal rights; a purchaser may have other rights depending upon where he or she lives. Some jurisdictions do not allow the exclusion or limitation of special, incidental or consequential damages, or limitations on how long a warranty lasts, so the above exclusion and limitations may not apply to you.

Vendor does not authorize any person or company to assume for it any other obligation or liability in connection with the sale, installation, use, removal, return, or replacement of its equipment, and no such representations are binding on Vendor.

Blue Rhino Global Sourcing, LLC
104 Cambridge Plaza Drive
Winston-Salem, North Carolina 27104 USA
(800) 762-1142
24 Hour Fax: (336) 659-6743
CustomerService@BlueRhino.com



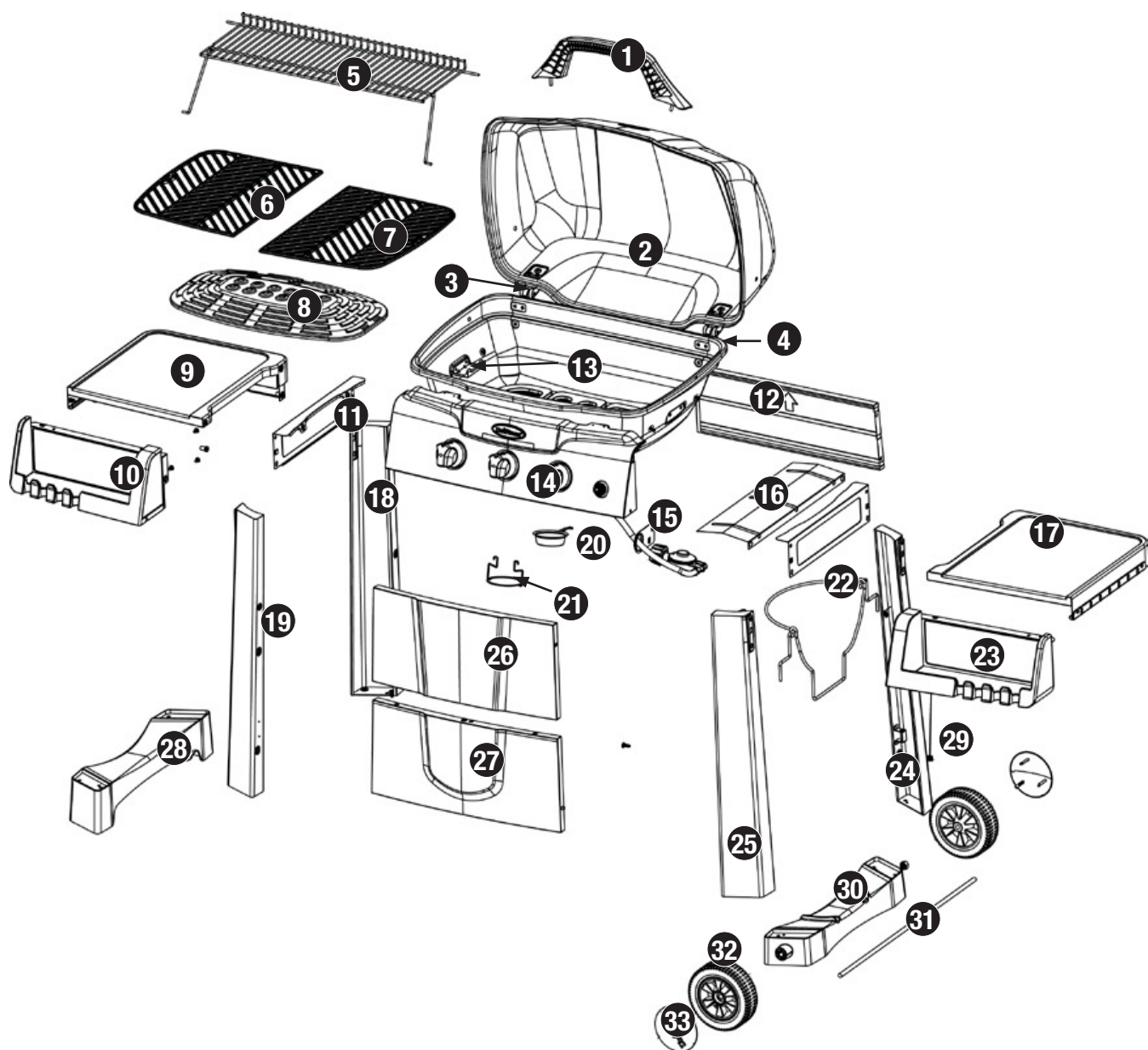
Troubleshooting

Problem	Possible Cause	Prevention/Cure
Burner will not light using ignitor	Wires or electrode covered with cooking residue.	Clean wire and/or electrode with rubbing alcohol.
	Electrode and burners are wet.	Wipe dry with cloth.
	Electrode cracked or broken - sparks at crack.	Replace electrode.
	Wire loose or disconnected.	Reconnect wire or replace electrode/wire assembly
	Wire is shorting (sparking) between ignitor and electrode.	Replace ignitor wire/electrode assembly
	Bad ignitor.	Replace ignitor
Burner will not light with match	No gas flow.	Check if LP gas tank is empty. If LP gas tank is not empty, refer to "Sudden drop in gas flow (reduced flame height). If empty, replace or refill.
	Coupling nut and regulator not fully connected.	Turning the coupling nut about one-half to three quarters additional turn until solid stop. Tighten by hand only-do not use tools.
	Obstruction of gas flow.	Clear burner tubes. Check for bent or kinked hose.
	Disengagement of burner to valve.	Reengage burner and valve.
	Spider webs or insect nest in venturi.	Clean venturi.
	Burner ports clogged or blocked.	Clean burner ports.
Sudden drop in gas flow or reduced flame height	Out of gas.	Check for gas in the LP gas tank
	Excess flow safety device may have been activated.	Turn off knobs, wait 30 seconds and light grill. If flames are still too low Reset the excessive flow safety device by turning off knobs and LP gas tank valve. Disconnect regulator. Turn burner control knobs to HIGH. Wait 1 minute. Turn burner control knobs off. Reconnect regulator and leak check connections. Turn LP gas tank valve on slowly, wait 30 seconds and then light grill.
Irregular flame pattern, flame does not run the full length of burner.	Burner ports are clogged or blocked.	Clean burner ports.
Flame is yellow or orange.	New burner may have residual manufacturing oils.	Burn grill for 15 minutes with the lid closed
	Spider webs or insect nest in venturi	Clean venturi.
	Food residue, grease or seasoning salt on burner.	Clean burner.
	Poor alignment of valve to burner venturi.	Assure burner venturi is properly engaged with valve
Flame blow out	High or gusting winds	Turn front of grill to face wind or increase flame height to HIGH setting
	Low on LP Gas	Replace or refill LP gas tank
	Excess flow valve tripped	Refer to "Sudden drop in gas flow"
Flare-up	Grease buildup.	Clean grill.
	Excess fat in meat.	Trim fat from meat before grilling.
	Excessive cooking temperature.	Adjust (lower) temperature accordingly.
Persistent grease fire.	Grease trapped by food buildup around burner system	Turn knobs to OFF. Turn gas off at LP gas tank. Leave lid in closed position and let fire burn out. After grill cools, remove and clean all parts.
Flashback (fire in burner tube(s))	Burner and/or burner tubes are blocked	Clean burner and/or burner tubes
Inside of lid is peeling-like paint peeling	The lid is stainless steel, not paint.	Baked on grease buildup has turned to carbon and is flaking off. Clean thoroughly.

Exploded View

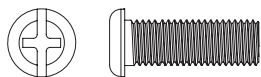
- 1. Handle 55-15-183
- 2. Lid 55-15-182
- 3. Top Hinge (2)* 55-15-209
- 4. Bottom Hinge (2)* 55-15-152
- 5. Warming Rack 55-15-210
- 6. Left Cooking Grid 55-15-177
- 7. Right Cooking Grid 55-15-192
- 8. Heat Plate 55-15-167
- 9. Left Side Shelf 55-15-181
- 10. Left Condiment Holder 55-15-176
- 11. Frame Brace (2) 55-15-160
- 12. Back Frame Support 55-15-149
- 13. Heat Plate Support (2)* 55-15-168
- 14. Grill Body Assembly 55-15-150
- 15. Regulator Hose Bracket* 55-15-397
- 16. LP Tank Heat Resistant Plate 55-15-204
- 17. Right Side Shelf 55-15-196
- 18. Left Rear Leg 55-15-179
- 19. Left Front Leg 55-15-178
- 20. Grease Cup 55-15-162
- 21. Grease Cup Support 55-15-163
- 22. LP Tank Support Wire 55-15-206
- 23. Right Condiment Holder 55-15-191
- 24. Right Rear Leg 55-15-194
- 25. Right Front Leg 55-15-193
- 26. Top Front Panel 55-15-208
- 27. Bottom Front Panel 55-15-151
- 28. Frame Support 55-15-161
- 29. Lighting Hook* 55-14-308
- 30. LP Tank Support 55-15-205
- 31. Axle 55-15-148
- 32. Wheel (2) 55-15-211
- 33. Hub Cap (2) 55-15-170

* Pre-assembled

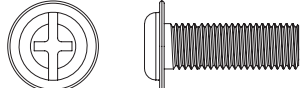


Hardware

- A. Small Screw 2 pcs
M6x16 Nickel Plated Phillips Truss Head Screw



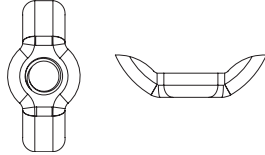
- B. Large Screw 33 pcs
M6x16 Nickel Plated Phillips Truss Head Screw



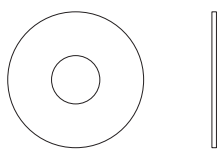
- C. Nut 2 pcs
M10 Nickel Plated Hex Nut



- D. Wing Nut 7 pcs
M6 Nickel Plated Wing Nut



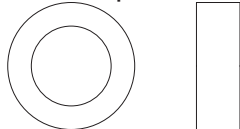
- E. Washer 34 pcs
ø6.4 Nickel Plated Washer



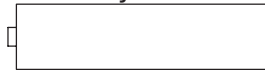
- F. Lock Washer 34 pcs
ø6.4 Nickel Plated Lock Washer



- G. Rubber Spacer 2 pcs

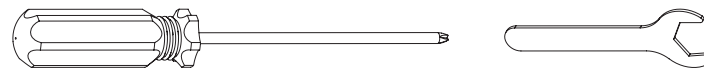


- H. AA Battery** 1 pc



Tools Included

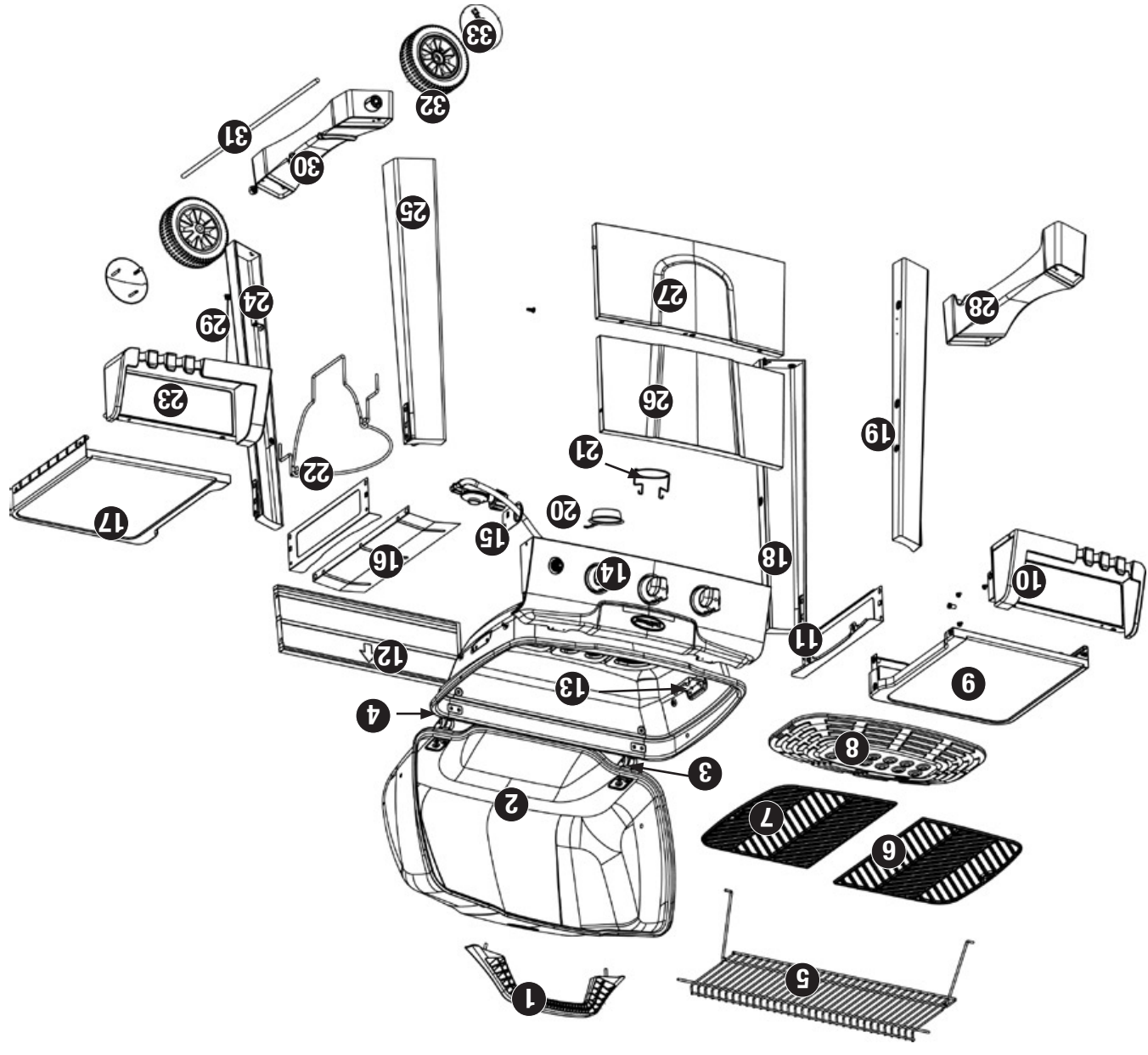
- I. Screwdriver** 1 pc J. Wrench** 2 pcs



** Not shown at actual size.



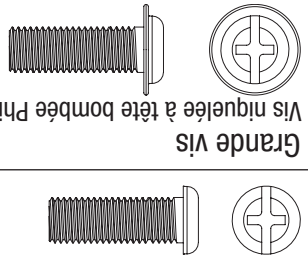
Vue éclatée



- 1. Poignée 55-15-183
- 2. Couvercle supérieure (2)* 55-15-182
- 3. Charnière supérieure (2)* 55-15-209
- 4. Charnière inférieure (2)* 55-15-152
- 5. Grille de réchauffage 55-15-210
- 6. Grille de cuisson gauche 55-15-177
- 7. Grille de cuisson droite 55-15-192
- 8. Plaque déflectrice de chaleur 55-15-167
- 9. Tablette latérale gauche 55-15-181
- 10. Porte-condiments gauche 55-15-176
- 11. Entretoise du cadre (2) 55-15-160
- 12. Support arrière du cadre 55-15-149
- 13. Support de la plaque déflectrice de chaleur (2) 55-15-168
- 14. Partie inférieure du barbecue 55-15-150
- 15. Support du tuyau du régulateur* 55-15-397
- 16. Plaque résistante à la chaleur pour la bonbonne de propane 55-15-204
- 17. Tablette latérale droite 55-15-196
- 18. Pied arrière gauche 55-15-179
- 19. Pied avant gauche 55-15-178
- 20. Tasse de récupération de graisse 55-15-162
- 21. Support de la tasse de récupération de graisse 55-15-163
- 22. Étrier de retenue de la bonbonne de propane 55-15-206
- 23. Porte-condiments droit 55-15-191
- 24. Pied arrière droit 55-15-194
- 25. Pied avant droit 55-15-193
- 26. Panneau avant supérieur 55-15-208
- 27. Panneau avant inférieur 55-15-151
- 28. Support du cadre 55-15-161
- 29. Crochet d'allumage* 55-14-308
- 30. Support de la bonbonne de propane 55-15-205
- 31. Essieu 55-15-148
- 32. Roue (2) 55-15-211
- 33. Enjoliveur (2) 55-15-170

Pièces de quincaillerie

- A. Petite vis
Vis niquelée à tête bombée Phillips M6x16 2
- B. Grande vis
Vis niquelée à tête bombée Phillips M6x16 33



- C. Écrou
Écrou niquelé hexagonal M10 2



- D. Écrou à oreilles
Écrou à oreilles niquelé M6 7



- E. Rondelle
Rondelle niquelée ø6,4 34



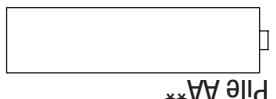
- F. Rondelle de blocage
Rondelle de blocage niquelée de ø6,4 34



- G. Entretoise en caoutchouc 2

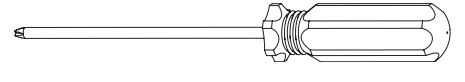


- H. Pile AA** 1



Outils fournis

- I. Tournevis** 1



- J. Clé à molette** 2



** Cet article n'est pas indiqué à sa taille réelle.



Guide de dépannage

Problème		Cause Possible		Prévention/Mesure corrective	
Le brûleur ne s'allume pas avec l'allumeur électrique.		Les fils ou l'électrode sont recouverts de résidus de cuisson.		Nettoyez le fil conducteur et/ou l'électrode avec de l'alcool isopropylique.	
Le brûleur ne s'allume pas avec une allumette		Allumeur défectueux.		Remplacez l'allumeur.	
Le brûleur ne s'allume pas avec une allumette		Absence de propane.		Vérifiez si la bonne propane de propane est vide. Si la bonne propane n'est pas vide, reportez-vous à "Baisse soudaine du débit du propane" (hauteur réduite de flamme.). Si elle est vide, remplacez-la ou remplissez-la.	
Le brûleur ne s'allume pas avec une allumette		L'écran de couplage et le régulateur ne sont pas complètement raccordés.		Tournez l'écran de couplage d'un demi ou de trois quart de tour de plus jusqu'à l'arrêt complet. Serrez manuellement sans utiliser d'outils.	
Le brûleur ne s'allume pas avec une allumette		Obstruction du débit du propane.		Nettoyez les tubes des brûleurs. Assurez-vous que le tuyau n'est pas plié ou déformé.	
Le brûleur ne s'allume pas avec une allumette		Le brûleur n'est plus raccordé à la valve.		Raccordez à nouveau le brûleur et la valve.	
Le brûleur ne s'allume pas avec une allumette		Araignées ou insectes dans le venturi.		Nettoyez le venturi.	
Le brûleur ne s'allume pas avec une allumette		Les orifices du brûleur sont bouchés ou bloqués.		Nettoyez les orifices du brûleur.	
Baisse soudaine du débit de propane de hauteur réduite de flamme.		Il n'y a plus de propane.		Assurez-vous que la bonne propane contient du propane.	
Baisse soudaine du débit de propane de hauteur réduite de flamme.		Le dispositif de sécurité de débit excessif a peut-être été déclenché.		Les boutons étant en position fermée, attendez 30 secondes et allumez le barbecue. Si les flammes restent trop basses, réarmez le dispositif de sécurité de débit excessif en fermant les boutons et la valve de contrôle de la bonne propane. Débranchez le régulateur. Tournez les boutons du brûleur sur HIGH (max). Attendez 1 minute. Tournez les boutons du brûleur sur «OFF» (arrêt). Rebranchez le régulateur et assurez-vous que le raccord ne présente pas de fuite.	
Flamme irrégulière, flamme ne se répartissant pas sur toute la longueur du brûleur.		Les orifices du brûleur sont bouchés ou bloqués.		Nettoyez les orifices du brûleur.	
Flamme irrégulière, flamme ne se répartissant pas sur toute la longueur du brûleur.		Le nouveau brûleur peut contenir des huiles résiduelles de fabrication.		Laissez le barbecue fonctionner pendant encore 15 minutes avec le couvercle fermé.	
Flamme irrégulière, flamme ne se répartissant pas sur toute la longueur du brûleur.		Toiles d'araignées ou nid d'insectes dans le venturi.		Nettoyez le venturi.	
Flamme irrégulière, flamme ne se répartissant pas sur toute la longueur du brûleur.		Restes de nourriture, de graisse ou d'assaisonnement sur le brûleur.		Nettoyez le venturi.	
Flamme s'éteint.		Mauvais alignement de la valve sur le venturi du brûleur.		Assurez-vous que le venturi du brûleur est correctement inséré dans la valve.	
Flamme s'éteint.		Vent fort ou bourrasques.		Présentez l'avant du barbecue face au vent ou réglez-le sur «OFF» afin d'augmenter la hauteur de la flamme.	
Flamme s'éteint.		La bonne propane de propane est presque vide.		Remplacez ou remplissez la bonne propane de propane.	
Flamme s'éteint.		La valve régulatrice de débit s'est déclenchée.		Reportez-vous à "Baisse soudaine du débit de propane".	
Le feu s'enflamme brusquement.		Accumulation de graisse.		Nettoyez le barbecue.	
Le feu s'enflamme brusquement.		La viande est trop grasse.		Éliminez la graisse de la viande avant de la barbecuer.	
Le feu s'enflamme brusquement.		La température de cuisson est trop élevée.		Réglez à la baisse la température.	
Le feu s'enflamme brusquement.		Graisse piégée par accumulation de nourriture autour des brûleurs.		Tournez les boutons sur «OFF» (arrêt). Fermez le propane au niveau de la bonne propane. Laissez le couvercle fermé et laissez la graisse se consumer. Après que le barbecue se soit refroidi, retirez et nettoyez toutes les pièces.	
Feu de graisse persistant.		Le brûleur et/ou ses tubes sont bouchés.		Nettoyez le brûleur et/ou les tubes du brûleur.	
Retour de flammes (feu dans les tubes de brûleurs)		Le couvercle est en acier inoxydable sans peinture.		L'accumulation de graisse cuite s'est transformée en carbone et s'écaille.	
L'intérieur du couvercle s'écaille comme de la peinture.					

Nettoyage du brûleur principal

1. Fermez l'arrivée de gaz au niveau des boutons de contrôle et de la bonbonne de propane.

2. Retirez les grilles de cuisson et les plaques déflectrices de chaleur.

3. Retirez le brûleur en retirant les trois dispositifs de fixation retenant le brûleur à la partie inférieure du barbecue.

4. Soulevez et éloignez le brûleur de l'orifice de la valve de gaz.

5. Déconnectez le fil de l'électrode d'allumage.

6. Nettoyez l'entrée (venturi) du brûleur avec un petit goupillon ou de l'air comprimé.

7. Nettoyez les restes de nourriture et la saleté de la surface du brûleur.

8. Nettoyez les orifices bouchés avec un fil métallique (un trombone ouvert, par exemple).

9. Vérifiez le brûleur à la recherche de détériorations (fissures ou trous). En cas de détériorations, remplacez-le par un brûleur neuf.

10. Réinstallez le brûleur, vérifiez que les orifices de la valve de gaz sont correctement positionnés à l'intérieur de l'entrée du brûleur (venturi). Vérifiez aussi la position de l'électrode d'allumage.

Garantie limitée

La société Blue Rhino Sourcing, LLC ("le fabricant") garantit ce barbecue au premier acheteur et à aucune autre personne, contre tout vice de fabrication et matériau de

fabrication défectueux pendant un (1) an à partir de la date d'achat si l'appareil est

monté et utilisé conformément aux instructions imprimées fournies. Le fabricant vous

demandera sans doute une preuve raisonnable d'achat provenant du détaillant ou du

distributeur agréé. Veuillez donc conserver votre facture ou votre reçu. Cette garantie

limitée se limitera à la réparation ou au remplacement de pièces ayant été déterminées

défectueuses par le fabricant lors de conditions d'utilisation et d'entretien normales.

Avant de renvoyer une pièce, contactez le service à la clientèle du fabricant (Customer

Service Department) à l'adresse ci-dessous. Si le fabricant confirme le défaut de

fabrication comme étant couvert par la garantie et approuve la réclamation, ce

dernier remplacera gratuitement les dites pièces. Si vous devez renvoyer des pièces

défectueuses, les pièces devront être expédiées port-payé. Le fabricant s'engage à

renvoyer les pièces à l'acheteur initial port-payé

Cette garantie limitée ne couvre pas les pannes et dysfonctionnements survenant suite

à tout accident, mauvais usage, entretien incorrect du barbecue, ou toute modification,

mauvaise installation ou négligence comme il a été établi dans ce manuel. De plus,

cette garantie limitée ne couvre pas le fini, à savoir les rayures, les bosses, les traces

de décoloration, de rouille ou les dommages résultant des intempéries après achat de

l'appareil.

Cette garantie remplace toute autre garantie expressée et il n'existe aucune autre

garantie expressée à l'exception de la couverture indiquée ici. Le fabricant désavoue

toute garantie couvrant des produits ayant été achetés auprès de revendeurs autres

que les revendeurs et distributeurs agréés. APRES UN (1) AN, À SAVOIR LA DURÉE DE

LA COUVERTURE DE LA GARANTIE EXPRESSE, LE FABRICANT DÉSAVOUE ET DÉCLINE

TOUTE GARANTIE IMPLICITE Y COMPRIS TOUTE GARANTIE DE COMMERCIALITÉ

ET D'ADAPTATION À UN USAGE PARTICULIER. DE PLUS, LE FABRICANT NE POURRA

ÊTRE TENU RESPONSABLE PAR L'ACHETEUR OU UN TIERS POUR TOUTS DÉGÂTS ET

DOMMAGES PARTICULIERS, INDIRECTS, PUNITIFS OU CONSÉCUTIFS. Le fabricant

décline toute responsabilité en cas de panne ou dysfonctionnement résultant d'une

modification ou altération effectuée par un tiers. Cette garantie limitée octroie des

droits juridiques spécifiques à l'acheteur et il est possible que ce dernier en possède

d'autres selon sa localité. Certaines juridictions ne permettent pas l'exclusion ni la

limitation de dommages consécutifs ou accessoires et ces limitations peuvent ne pas

vous être applicables.

Le fabricant ne permet en aucun cas à une personne ou à une société de s'attribuer les

responsabilités et les obligations liées à la vente, l'installation, l'utilisation, la dépose

ou le remplacement de cet appareil, et aucune de ces représentations n'engage la

responsabilité du fabricant.

Blue Rhino Global Sourcing, LLC

104 Cambridge Plaza Drive

Winston-Salem, North Carolina 27104, États-Unis

Téléphone (800) 762-1142

Télécopie 24h par jour: (336) 659-6743

CustomerService@BlueRhino.com

Utilisation

Rechercher une fuite potentielle

Raccordements du brûleur

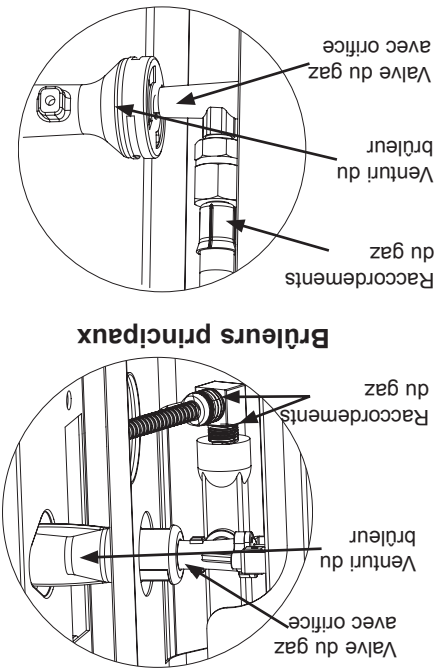
Assurez-vous que les branchements de la valve du régulateur et du tuyau ont été correctement effectués au niveau du brûleur et de la bonbonne de gaz.

Si l'appareil a été assemblé pour vous, vérifiez visuellement le branchement du tuyau du brûleur sur l'orifice. Assurez-vous que le tuyau du brûleur est correctement placé sur l'orifice.

MISE EN GARDE: Si vous ne

vérifiez pas ce raccord et ne respectez pas ces instructions, vous risquez de provoquer un incendie ou une explosion pouvant entraîner des dégâts matériels, des blessures graves voire la mort.

Reportez-vous à l'illustration afin d'effectuer correctement l'installation.



Si le tuyau du brûleur ne repose pas au ras de l'orifice, veuillez appeler notre service à la clientèle au 1.800.762.1142.

Raccordement du tuyau de gaz à la bonbonne

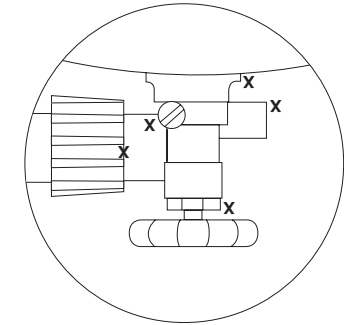
Préparez une solution d'environ 80 ml destinée à détecter les fuites en mélangeant un volume de liquide à vaisselle et 3 volumes d'eau.

Vérifiez que les boutons de contrôle du barbecue sont tous sur « Off » (arrêt).

Versez quelques gouttes de la solution sur tous les points de raccordement indiqués par un «X».

Si des bulles apparaissent, fermez la bonbonne (OFF), desserrez le raccord puis rebranchez en vous assurant qu'il est étanche en

effectuant un autre test d'étanchéité. Si des bulles persistent après plusieurs tentatives, débranchez la bonbonne de gaz et appelez le 1.800.762.1142.



Fonctionnement des brûleurs principaux

Pour allumer

1. Ouvrez le couvercle du barbecue.

Toute tentative d'allumage du brûleur avec le couvercle fermé peut provoquer une explosion!

2. Assurez-vous qu'il n'existe aucune obstruction et que rien ne gêne le débit d'air vers les brûleurs.

Des araignées et autres insectes peuvent y élire domicile et boucher le brûleur et le tube venturi au

niveau de l'orifice. Si la tubulure du brûleur est bouchée, ceci risque de

provoquer un feu en-dessous de l'appareil.

3. Tous les boutons et toutes les valves doivent être réglés sur « Off » (fermé).

4. Ouvrez le gaz au niveau de la bonbonne de propane.

5. Pressez et tournez le bouton de contrôle dans le sens inverse à celui des aiguilles d'une montre jusqu'à « High » (maximum).

6. Pressez le bouton de l'allumeur électronique et maintenez-le pendant 5 secondes pour allumer le brûleur.

7. Si l'allumage ne se produit pas dans les 5 secondes suivantes, tournez le bouton de contrôle du brûleur à la position « Off » (fermé/ arrêt); attendez 5 minutes et répétez la procédure d'allumage.

8. Si l'allumeur ne parvient pas à allumer le brûleur, fixez une allumette allumée au bout de la tige d'allumage fournie afin d'allumer manuellement les brûleurs. Accédez

aux brûleurs en introduisant l'allumette à travers la grille de cuisson et les plaques déflectrices de chaleur. Placez l'allumette allumée sur le côté du brûleur.

Important: Veillez à toujours utiliser la tige d'allumage lorsque vous allumez les brûleurs avec une allumette.

Nettoyage et entretien

Attention

1. Tout nettoyage ou entretien doit être effectué lorsque le barbecue est froid et après avoir fermé et débranché l'alimentation en gaz.

2. NE placez aucune pièce du barbecue dans un four autonettoyant. La chaleur extrême endommagera le fini du barbecue.

Avis

1. N'utilisez pas de produits de nettoyage abrasifs car ils risquent d'endommager le barbecue.

2. N'utilisez jamais de produit à nettoyer les fours sur une pièce quelle qu'elle soit du barbecue.

3. NE placez aucune pièce du barbecue dans un four autonettoyant. La chaleur extrême endommagera le fini du barbecue.

3. Rincez à l'eau.

2. Pour les tâches coriaces, utilisez un dégraissant au citron et une brosse de nettoyage en nylon.

1. Essayez les surfaces du barbecue avec un liquide à vaisselle doux ou du bicarbonate de soude.

Nettoyage des surfaces du barbecue

ATTENTION: Ne recouvrez pas le barbecue avant qu'il n'ait complètement refroidi.

1. Vaporisez ou appliquez une couche d'huile végétale sur les surfaces de cuisson avant de cuire les aliments afin d'éviter qu'ils ne collent.
2. Placez les légumes ou les aliments délicats dans du papier d'aluminium.
3. Utilisez une brosse de barbecue de bonne qualité pour nettoyer les surfaces de cuisson après chaque utilisation et afin d'éviter toute apparition de rouille.
4. Videz le bac à graisse après chaque utilisation.

Quelques conseils pour un meilleur barbecue et afin d'assurer la pérennité de cet article

1. Retirez la grille de cuisson.
2. Placez un plateau métallique au centre, sur les plaques déflectrices de chaleur.
3. Remettez en place la grille de cuisson.
4. Allumez les brûleurs.
5. Éteignez le brûleur central en le réglant sur « Off ». Réglez les brûleurs extérieurs sur le niveau désirée et laissez le barbecue atteindre la température consignée.
6. Placez la nourriture sur la grille de cuisson directement par-dessus le plateau métallique.
7. Avec le couvercle fermé, laissez la nourriture cuire jusqu'à ce que la température interne désirée des aliments soit atteinte.

Pour une cuisson indirecte

1. Allumez les brûleurs.
2. Réglez les brûleurs sur la puissance désirée et laissez le barbecue atteindre la température consignée.
3. Placez la nourriture directement sur les brûleurs.
4. Avec le couvercle ouvert ou fermé, laissez la nourriture cuire jusqu'à ce que la température interne désirée des aliments soit atteinte.

Pour une cuisson directe

Avant de cuire quoi que ce soit sur le barbecue pour la première fois, faites fonctionner le barbecue pendant environ 15 minutes avec le couvercle fermé et le bouton de contrôle du gaz sur « High » (« maximum»). La chaleur « nettoiera » les pièces internes et dissipera l'odeur du fini de peinture.

Lorsque vous utilisez le barbecue pour la première fois

1. Tournez tous les boutons de contrôle dans le sens des aiguilles d'une montre afin de les régler sur « Off » (« arrêt») les uns après les autres.
2. Fermez l'admission de gaz au niveau de la bonbonne de propane.

Pour éteindre

ATTENTION: Si la flamme du brûleur s'éteint lors du fonctionnement du barbecue, fermez immédiatement l'arrivée de gaz (OFF) et ouvrez le couvercle afin que le gaz se dissipe et attendez 5 minutes avant de tenter à nouveau d'allumer le barbecue.

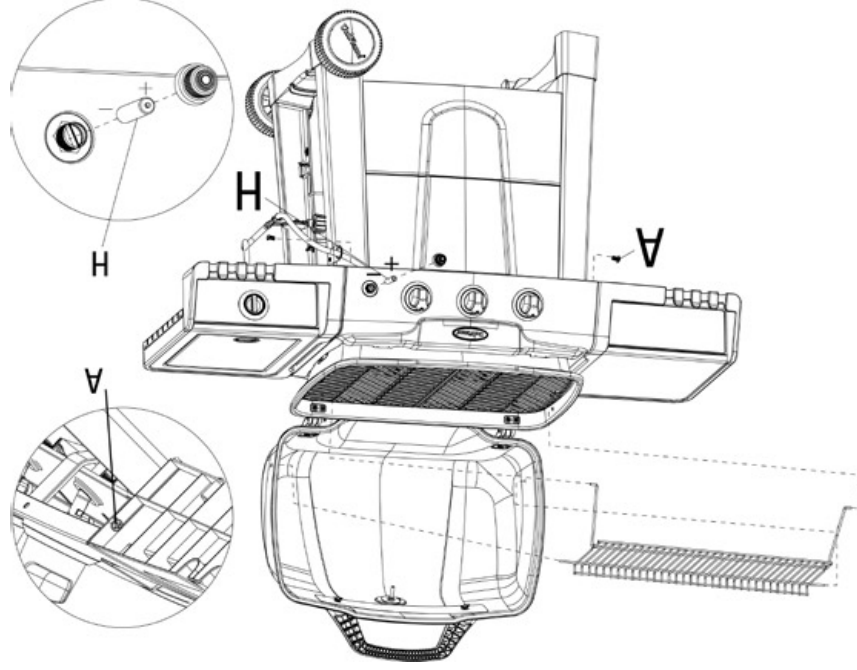
9. Après avoir allumé les brûleurs, veuillez observer la flamme du brûleur et vérifiez que tous les orifices du brûleur sont allumés et que la hauteur de la flamme correspond à celle de l'illustration.

Étape 12

Fixer les tablettes latérales, fixer la grille de réchauffage et

insérer la pile

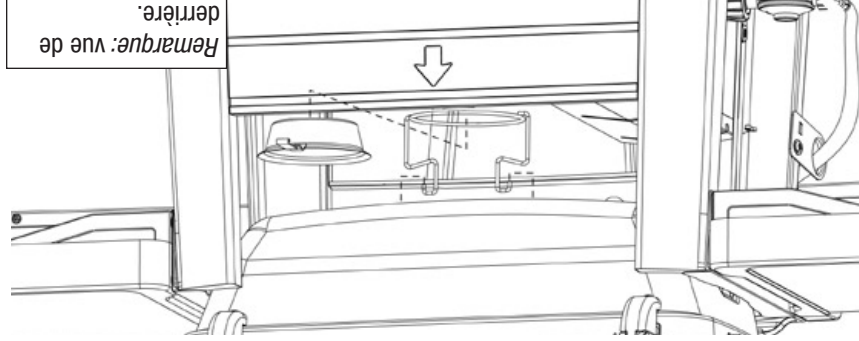
- A. Placez la grille de réchauffage avec les pieds vers le bas, en les plaçant sur les côtés de la moitié inférieure du barbecue et du couvercle.
- B. Dévissez le bouton d'allumage du panneau de commande.
- C. Retirez le cache de protection de la pile AA (L).
- D. Insérez la pile avec le côté positif (+) vers le bas.
- E. Remettez en place le bouton d'allumage en le tournant dans le sens des aiguilles d'une montre.
- F. Fixez le panneau de commande aux étagères gauche et droite en utilisant deux petites vis (A).



Étape 13

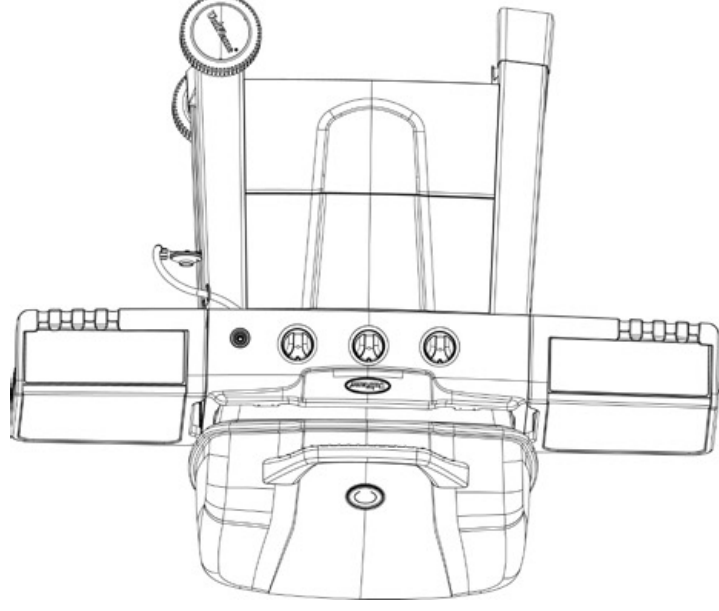
Fixer la tasse de récupération de graisse

- A. Accrochez le support de la tasse de récupération de graisse à la moitié inférieure du barbecue.
- B. Insérez la tasse de récupération de graisse dans son support.



Terminé

Félicitations, vous venez de terminer l'assemblage. Veuillez lire les instructions d'utilisation avant de poursuivre.

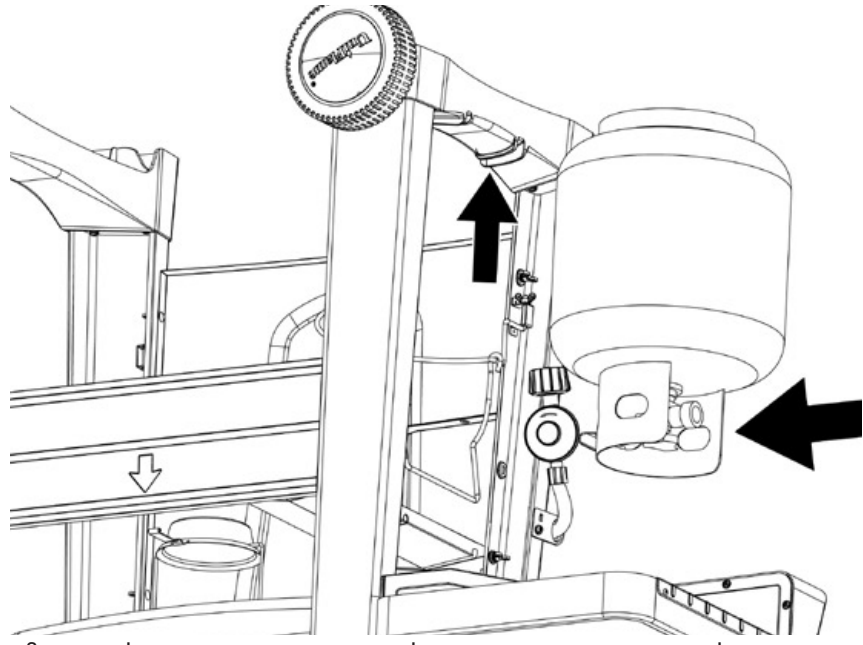


Installer la bonbonne de propane (LP)

Il est nécessaire de brancher une bonbonne de propane LP standard de 20 livres (9 kg) pour barbecue avec valve de contrôle à filetage externe.

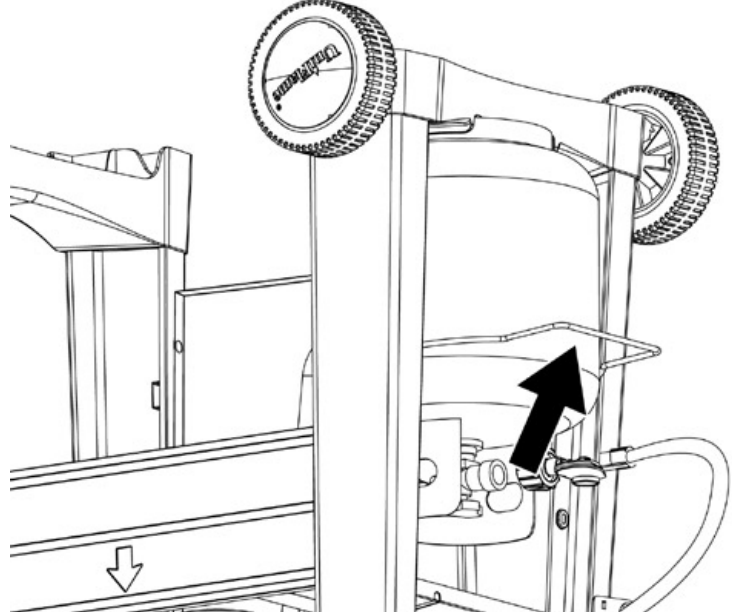
insérer la bonbonne de propane

Placez une bonbonne de propane pleine de 20 livres (9 kg) debout dans la cavité du barbecue afin que le circuit soit établi afin de permettre l'extraction des vapeurs de gaz.



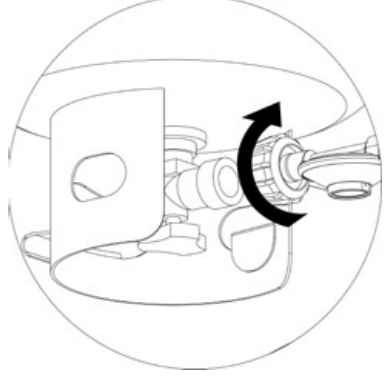
Fixer la bonbonne de propane

Fixez la bonbonne en glissant l'étrier de retenue par-dessus l'épaule de la bonbonne.



Brancher la bonbonne de propane

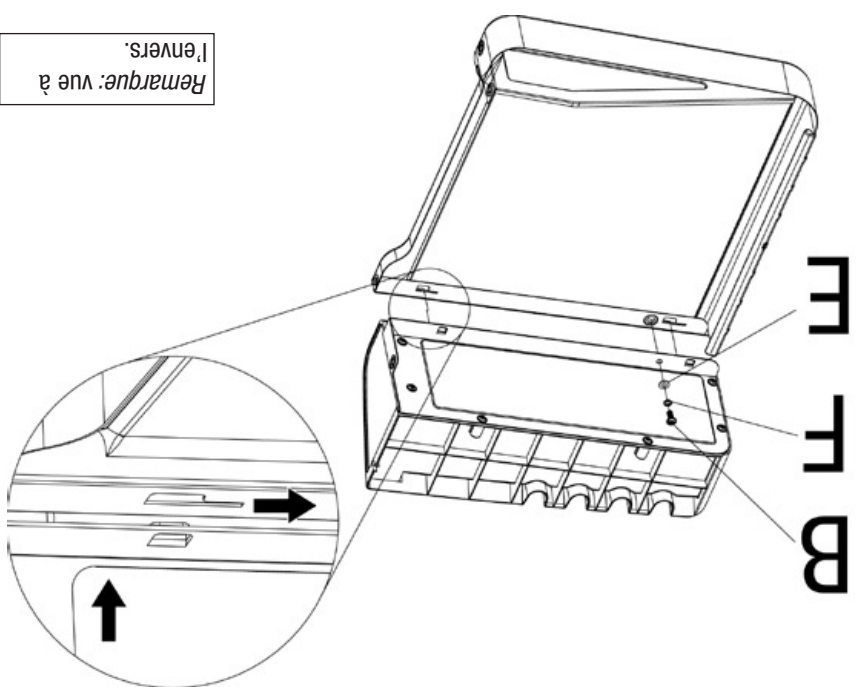
Avant de procéder au branchement, assurez-vous de l'absence de débris dans la tête de la bonbonne, autour de la tête de la valve du régulateur ainsi que dans la tête du brûleur et les orifices du brûleur. Branchez le tuyau de gaz sur la bonbonne en tournant dans le sens des aiguilles d'une montre jusqu'au blocage.



Étape 6

Assembler la tablette latérale gauche

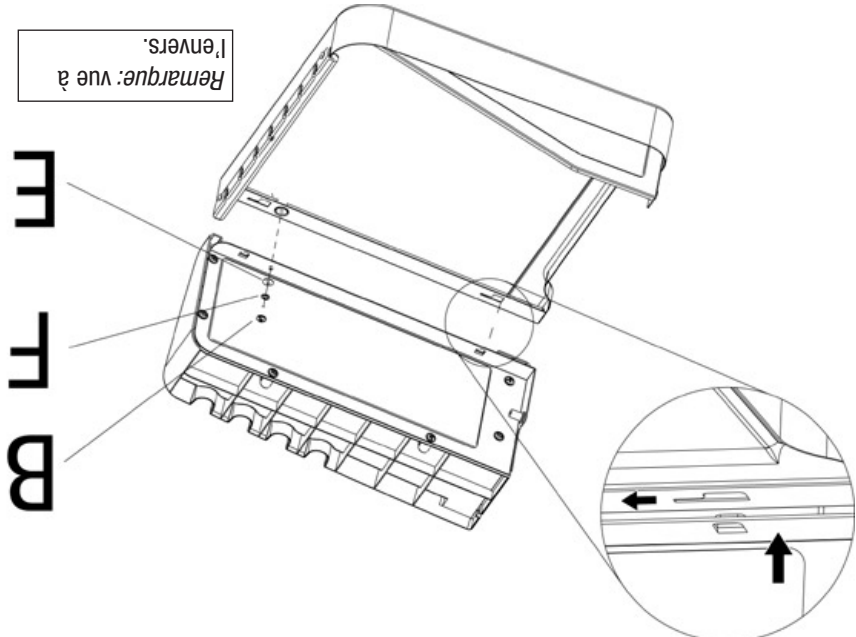
A. Insérez les languettes du porte-condiments gauche dans les fentes de la tablette latérale gauche et glissez la tablette vers la gauche pour la mettre en place.
 B. Fixez le porte-condiments gauche à la tablette latérale gauche en utilisant une grande vis (B), une rondelle de blocage (F) et une rondelle (E).



Étape 7

Assembler la tablette latérale droite

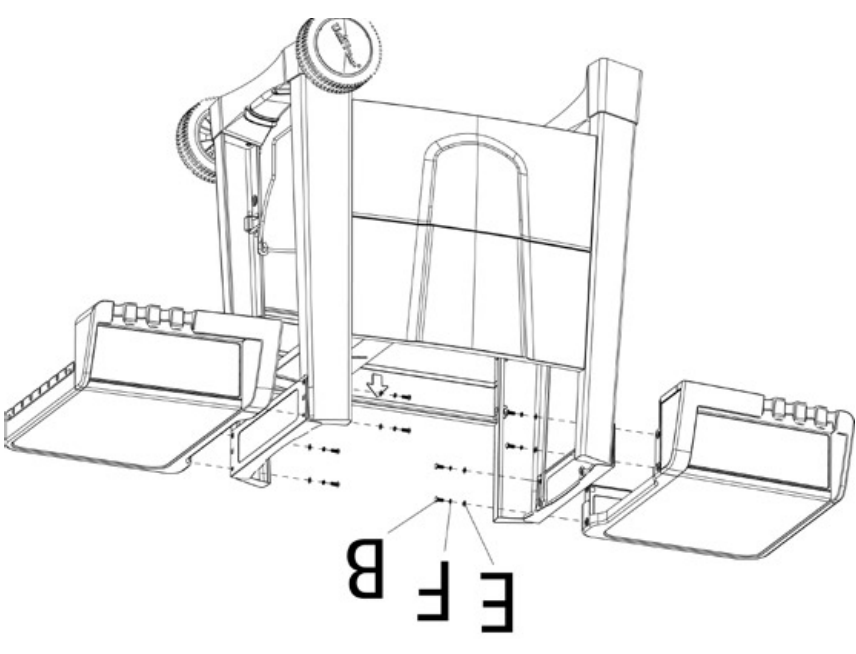
A. Insérez les languettes du porte-condiments droit dans les fentes de la tablette latérale droite et glissez la tablette vers la droite pour la mettre en place.
 B. Fixez le porte-condiments droit à la tablette latérale droite en utilisant une grande vis (B), une rondelle de blocage (F) et une rondelle (E).



Étape 8

Fixer les tablettes latérales

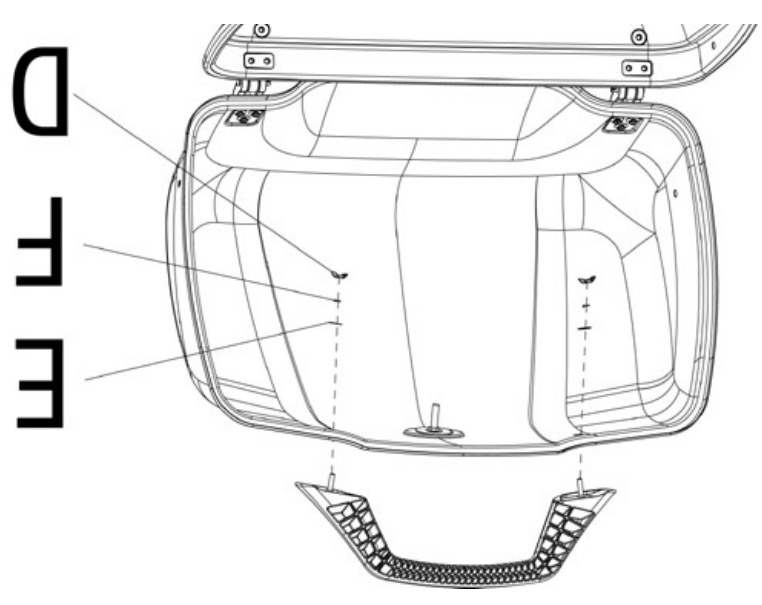
Fixez les tablettes latérales gauche et droite au chariot en utilisant huit grandes vis (B), huit rondelles de blocage (F), et huit rondelles (E).



Étape 9

Fixer la poignée au couvercle

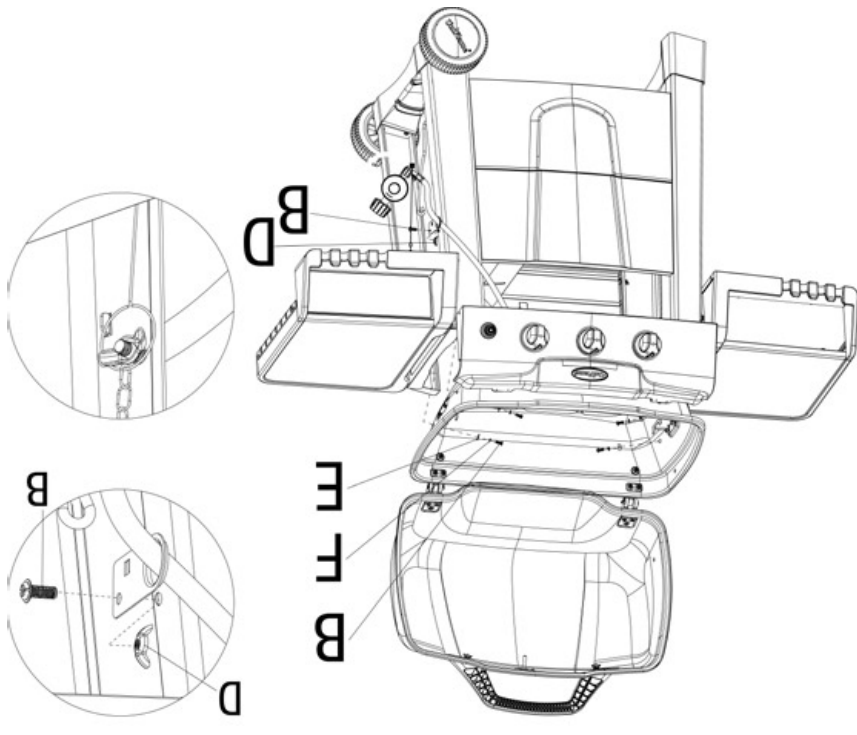
Fixez la poignée au couvercle en utilisant deux rondelles (E), deux rondelles de blocage (F) et deux écrous à oreilles (D).



Étape 10

Fixer la moitié inférieure du barbecue au cadre du chariot

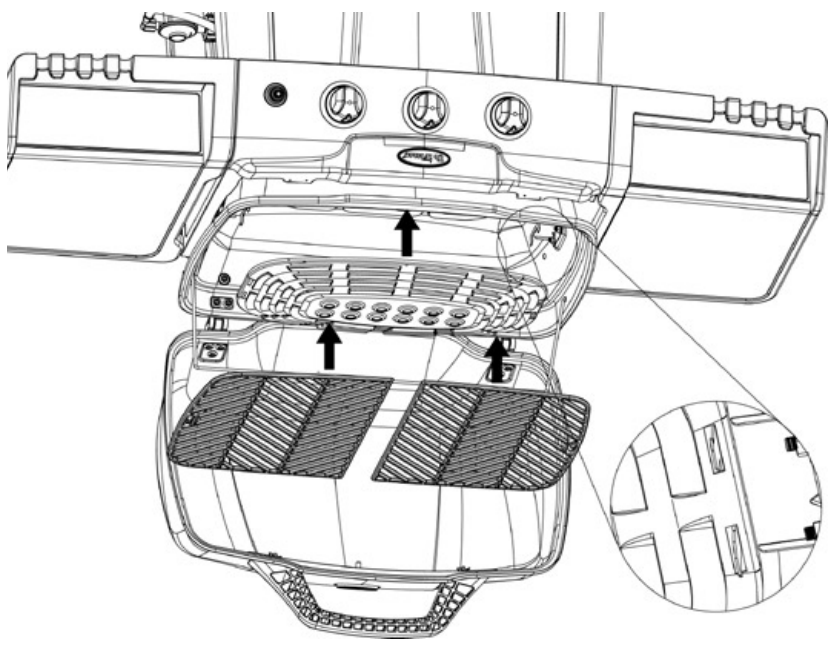
A. Fixez la moitié inférieure du barbecue au cadre du chariot en utilisant quatre grandes vis (B), quatre rondelles de blocage (F) et quatre rondelles (E).
 B. Fixez le support du tuyau du régulateur au cadre du chariot en utilisant une grande vis (B) et un écrou à oreilles (D).
 Remarque: Lorsque vous n'utilisez pas le crochet d'allumage, accrochez-le sur l'écrou à oreilles du support du tuyau du régulateur.



Étape 11

Cuisson

A. Placez la plaque déflectrice de chaleur sur ses supports.
 B. Placez les grilles de cuisson gauche et droite sur la moitié inférieure du barbecue.



Directives d'assemblage

NE PAS RETOURNER AU MAGASIN AVEC CET ARTICLE.

Pour toute assistance technique, appelez le numéro sans frais 1.800.762.1142. Faites en sorte que votre manuel d'utilisation et le numéro de série soient à portée de main afin de pouvoir vous y référer.

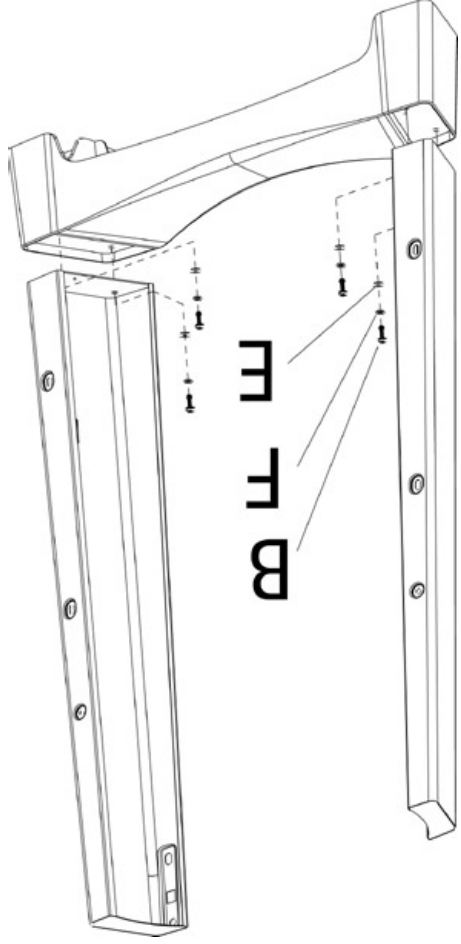
Pour faciliter l'installation:

- Pour éviter de perdre des petites pièces ou la quincaillerie d'installation, assemblez cet article sur une surface dure et plane qui ne comporte pas de trous ou de fissures.
- Prévoyez une surface de travail suffisamment grande afin d'étaler toutes les pièces et la quincaillerie d'installation.
- Lorsque nécessaire, serrez toute les fixations et la visserie en premier, puis une fois l'étape terminée, serrez-les à bloc.
- Suivez toutes les étapes dans l'ordre afin d'assembler correctement cet article.

Étape 1

Assembler le cadre gauche du chariot

Fixer les pieds gauches à l'avant et à l'arrière sur le support du cadre, en utilisant quatre grandes vis (B), quatre rondelles de blocage (F), et quatre rondelles (E).



Étape 2

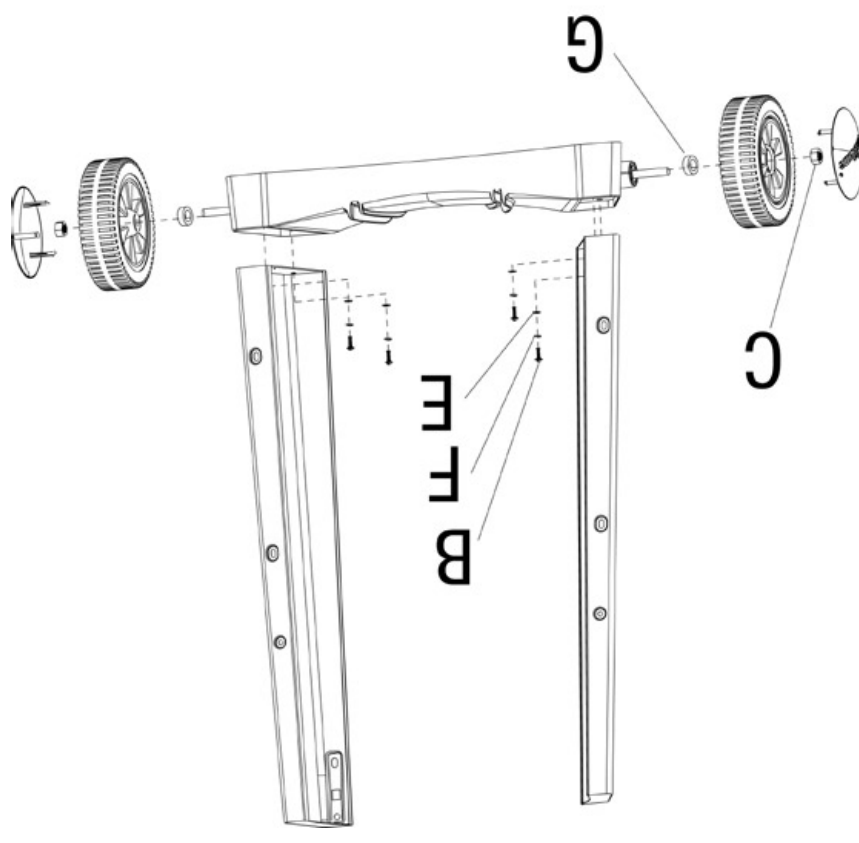
Assembler le cadre droit du chariot

A. Fixer les pieds droits à l'avant et à l'arrière au support de la bonbonne de propane en utilisant quatre grandes vis (B), quatre rondelles de blocage (F), et quatre rondelles (E).

B. Insérez l'essieu dans le support de la bonbonne de propane.

C. Placez les entretoises en caoutchouc (G) et les roues sur l'essieu. Fixez les roues en utilisant deux écrous (C).

D. Placez les enjoliveurs sur les roues.



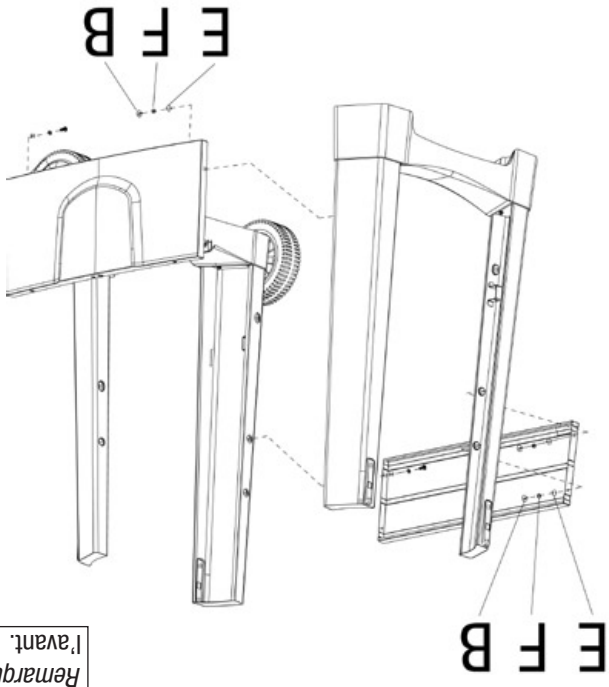
Étape 3

Assemblage du chariot, phase n°1

A. Fixez le support arrière du cadre aux pieds gauche et droit en utilisant trois grandes vis (B), trois rondelles de blocage (F), et trois rondelles (E).

B. Fixez le panneau avant inférieur aux pieds gauche et droit en utilisant deux grandes vis (B), deux rondelles de blocage (F), et deux rondelles (E).

Remarque: vue de l'avant.

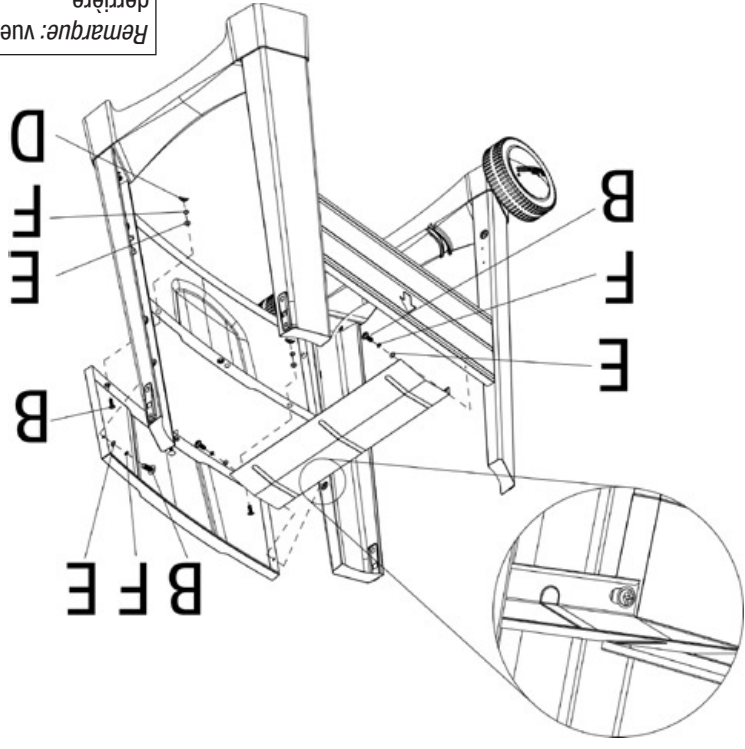


Étape 4

Assemblage du chariot, phase n°2

A. Fixez le panneau avant supérieur et la plaque résistante à la chaleur de la bonbonne de propane aux pieds gauche et droit, en utilisant trois grandes vis (B), trois rondelles de blocage (F), et trois rondelles (E).

B. Fixez le panneau avant inférieur au panneau avant supérieur en utilisant deux grandes vis (B), deux rondelles de blocage (F), deux rondelles (E) et deux écrous à oreilles (D).



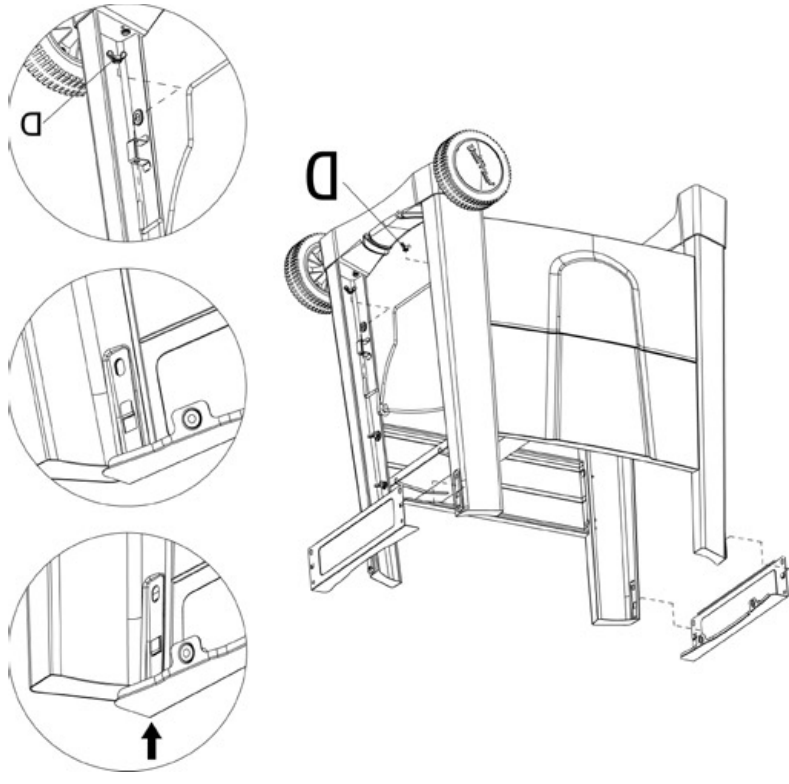
Remarque: vue de derrière.

Étape 5

Fixer les entretoises du cadre et l'étrier de retenue de la bonbonne de propane

A. Insérez les entretoises dans les fentes des cadres gauche et droit du chariot.

B. Fixez l'étrier de retenue de la bonbonne de propane au cadre droit, en utilisant deux écrous à oreilles (D).



MISE EN GARDE

POUR VOTRE SÉCURITÉ:



- Si vous sentez une odeur de gaz:
1. Fermez le robinet de gaz alimentant l'appareil.
 2. Éteignez toute flamme.
 3. Ouvrez le couvercle.
 4. Si l'odeur persiste, contactez immédiatement votre fournisseur de bouteilles de gaz ou les pompiers.

1. Ne remisez pas une bonne propane de recharge à moins de 10 pieds (3,05 mètres) de cet appareil.
2. Ne pas utiliser ni stocker d'essence ou de liquides et autres vapeurs inflammables à moins de 25 pieds (7,62 m) de cet appareil ou de tout autre appareil.
3. Ne pas utiliser ni stocker d'essence ou de liquides et autres vapeurs inflammables à proximité de cet appareil ou de tout autre appareil.

La sécurité avant tout

DANGERS et Mises en garde

1. Ce barbecue doit être utilisé uniquement à l'extérieur et ne doit pas être utilisé dans un immeuble, un garage ou tout autreabri clos.
2. Ce barbecue N'est PAS destiné à un usage commercial.
3. Ce barbecue doit être utilisé uniquement avec du propane liquide (LP). Toute utilisation de gaz naturel avec ce barbecue ou tentative de conversion au gaz naturel de ce barbecue est dangereuse et annulera la garantie.
4. Caractéristiques du propane (LP) :
 - a. Le propane est un gaz inflammable et dangereux si ce dernier n'est pas manipulé correctement. Il est indispensable de connaître les dangers encourus avant d'utiliser tout appareil fonctionnant au propane.
 - b. Le propane est un gaz inflammable qui risque d'exploser sous pression. Le propane est un gaz plus lourd que l'air présent en gisements dans les régions basses.
 - c. Le propane à l'état naturel est inodore. Pour votre sécurité, un odorisant ayant l'odeur de choux avariés a été ajouté.
 - d. Tout contact du propane avec la peau risque d'entraîner des brûlures.
5. Il est nécessaire de brancher une bonne propane pour faire fonctionner le barbecue. Seules les bonnes marquées « propane » peuvent être utilisées.

La bonne propane doit être fabriquée, marquée et mise en service conformément à la *Réglementation sur les bouteilles de gaz de pétrole liquéfié* établie par le Ministère des Transports des États-Unis (DOT) ou répondre à la Norme nationale du Canada, *CAN/CSA-B339 sur les bouteilles, bonnes, sphères et tubes destinés au transport de produits dangereux et la commission*.

7. La bonne propane doit être placée et homologuée afin de permettre l'extraction des vapeurs de gaz.
8. La bonne propane doit être équipée d'un système d'arrêt volumétrique (OPD) empêchant tout remplissage excessif.
9. Utiliser uniquement des bonnes propane de 20 livres (9 kg) équipées d'un dispositif de branchement compatible avec le raccord d'un appareil de cuisson en plein air.
10. La bonne propane de gaz doit posséder un col afin de protéger la valve de contrôle.
11. Ne jamais utiliser une bonne propane si le corps, la valve, le col ou le socle sont endommagés.
12. Toute bonne propane bosselée ou présentant des traces de rouille risque d'être dangereuse et devrait être vérifiée par votre fournisseur avant de l'utiliser.
13. Ne pas laisser tomber la bonne propane ni la manipuler brusquement ou brutalement.

14. Les bonnes propane de gaz doivent être stockées à l'extérieur, hors de portée des enfants et ne doivent pas être entreposées dans un bâtiment, un garage ou dans tout autre lieu fermé. Les bonnes propane de gaz ne doivent jamais être entreposées dans un endroit où la température risque de dépasser 51,6°C (125°F).
15. Ne jamais garder une bonne propane pleine dans une voiture ou dans le coffre d'une voiture sous une forte chaleur. La chaleur peut provoquer une augmentation de la pression du gaz, pouvant provoquer l'ouverture de la soupape de sécurité et lui permettre de s'échapper.
16. Ne jamais essayer de raccorder ce barbecue au circuit de propane d'une caravane, maison mobile ou de votre maison.
17. La prise d'alcool, de médicaments ou de drogues risque de nuire à l'aptitude de l'utilisateur à assembler ou à utiliser cet appareil en toute sécurité.
18. Ne jamais utiliser de charbon de bois, de liquide allume-barbecue, de pierres de lave, d'essence, de kérosène ou d'alcool avec ce barbecue.
19. Votre barbecue a été vérifié en usine afin de s'assurer que les raccords ne présentent aucune fuite. Vérifier à nouveau tous les raccords car il est possible qu'ils se soient desserrés lors du transport.
20. Vérifier que l'appareil ne présente aucune fuite même si ce dernier a été assemblé pour vous par quelqu'un d'autre.
21. Ne pas utiliser le barbecue en cas de fuite de gaz. Toute fuite de gaz risque de provoquer un incendie ou une explosion.
22. Il est obligatoire de suivre toutes les procédures de détection de fuite d'explosion lorsque l'on recherche une fuite :

a. Vérifier que le circuit ne présente pas de fuite en effectuant un "test d'étanchéité" avant d'allumer le barbecue à chaque fois que la bonne propane de gaz est branchée afin de l'utiliser.

- a. Interdiction de fumer. Ne pas utiliser ni laisser de sources d'ignition à proximité du barbecue lorsque l'on recherche une fuite.
- b. Effectuer le test d'étanchéité en plein air, dans un emplacement bien aéré.
- d. Ne pas utiliser d'allumettes, de briquets ou de flamme nue afin de rechercher une fuite.
- e. Ne pas utiliser le barbecue avant d'avoir réparé toute les fuites. S'il s'avère impossible d'arrêter une fuite, débrancher la bonne propane. Contacter un réparateur ou votre fournisseur de bouteilles de propane.
23. Ne pas utiliser ni stocker d'essence ou de liquides et autres vapeurs inflammables à moins de 25 pieds (7,62 m) de cet appareil.
24. Ne pas utiliser le barbecue en présence de vapeurs et émanations explosives. Veiller à ce que la zone autour du barbecue demeure dégagée et dépourvue de matières combustibles, d'essence et d'autres liquides et vapeurs inflammables.
25. S'assurer que toute surface et matière combustible se trouve toujours au minimum à 53 cm (21 po.) du barbecue. NE PAS utiliser ce barbecue sous un abri, une structure suspendue ou en saillie ou à proximité de toute construction combustible non-protégée.
26. Il est primordial que le compartiment de la valve de contrôle de l'appareil, les brûleurs et les passages par où l'air circule demeurent propres. Vérifier le barbecue avant chaque utilisation.
27. Ne modifier en aucune façon le barbecue.
28. Ne pas utiliser le barbecue à moins qu'il soit COMPLÈTEMENT assemblé et que les pièces soient toutes fixées et serrées.
29. Ce barbecue doit être vérifié et nettoyé en entier régulièrement. Nettoyer et inspecter le tuyau à chaque fois, avant d'utiliser l'appareil. En cas d'abrasion, d'usure, de coupures ou de fuite, le tuyau doit être remplacé avant que cet appareil ne soit mis en fonctionnement.
30. Utiliser uniquement le régulateur et le tuyau fournis. Le régulateur et le tuyau de recharge doivent être ceux spécifiés par le fabricant.
31. Utiliser uniquement des pièces agréées de l'usine Blue Rhino Global Sourcing, LLC. L'emploi de toute pièce non agréée peut être dangereuse et entraînera l'annulation de la garantie. Appelez le 1.800.762.1142.
32. Ne pas utiliser cet appareil avant de lire les instructions d'utilisation de ce manuel.
33. Ne pas toucher les pièces métalliques du barbecue avant qu'il n'ait complètement refroidi (attendre environ 45 minutes) afin de ne pas se brûler à moins de porter des vêtements de protection (gants, maniques, attirail de barbecue, etc.).
34. Lors de la cuisson, conserver toujours à portée de main des articles ou matières capables d'éteindre le feu. En cas de feu de graisse, ne tentez pas d'éteindre le feu avec de l'eau. Utiliser un extincteur à poudre BC ou étouffez le feu avec de la terre, du sable ou du bicarbonate de soude.
35. Ne pas installer ni utiliser cet appareil à bord d'un bateau ou d'un véhicule récréatif.
36. Ne pas utiliser le barbecue par grand vent.
37. Ne jamais se pencher au-dessus du barbecue pour l'allumer.
38. Ne jamais laisser un barbecue allumé sans surveillance surtout si des enfants ou des animaux domestiques et de compagnie sont à proximité.
39. Ne pas essayer de déplacer le barbecue quand il est allumé. Laisser le barbecue refroidir avant de le déplacer ou de le remiser.
40. Le remisage du barbecue à l'intérieur est autorisé seulement si la bonne propane a été débranchée et retirée de l'appareil et correctement entreposé à l'extérieur.
41. Veiller à toujours ouvrir le couvercle du barbecue lentement et avec précaution car la chaleur et la vapeur piégées à l'intérieur risquent de provoquer de graves brûlures.
42. Ne pas tenter de débrancher le régulateur de gaz de la bonne propane ou de débrancher une pièce quelconque de l'alimentation du gaz lorsque le barbecue est allumé.
43. Placer toujours le barbecue sur une surface plane et dure. Il est déconseillé de le placer sur de l'asphalte ou du bitume.
44. Faire preuve d'une extrême précaution si le barbecue doit être utilisé sur une terrasse en bois.
45. Placer les tuyaux de gaz le plus loin possible des surfaces chaudes et de l'égoûtage des graisses brûlantes.
46. Veiller à ce que les câbles et cordons électriques demeurent toujours loin du barbecue lorsqu'il est chaud.
47. Ne pas utiliser le barbecue pour se chauffer ou pour cuisiner à l'intérieur d'une maison. Des émanations TOXIQUES de monoxyde de carbone peuvent s'accumuler et provoquer l'asphyxie.
48. Après une période de remisage ou si le barbecue n'a pas été utilisé pour une certaine période, s'assurer qu'il n'y a pas de fuite et que les brûleurs ne sont pas bouchés. Vérifier également que le tuyau ne présente pas de traces d'abrasion, d'usure ou de coupures.
49. Le fait de ne pas maintenir le couvercle ouvert lors de l'allumage des brûleurs du barbecue ou de ne pas attendre 5 minutes afin que le gaz se dissipe au cas où le barbecue ne s'allume pas, risque de provoquer un retour de flammes explosif.
50. Lorsque l'on n'utilise pas le barbecue, fermer l'alimentation du gaz au niveau de la bonne propane.
51. Ne jamais utiliser le barbecue sans avoir installé auparavant les plaques déflectrices de chaleur.
52. Veiller à toujours utiliser un thermomètre à viande afin de s'assurer que la nourriture est cuite à une température adéquate.
53. Ne jamais remiser une bonne propane de recharge sous ou à proximité de cet appareil.
54. Ne jamais remplir la bonne propane à plus de 80% de sa capacité.
55. Les consignes ci-dessus doivent être strictement respectées et le non-respect de ces consignes risque de provoquer des dégâts matériels ou d'entraîner des blessures graves voire la mort.



Barbecue au propane pour usage extérieur

Modèle n° GBC621CR-C

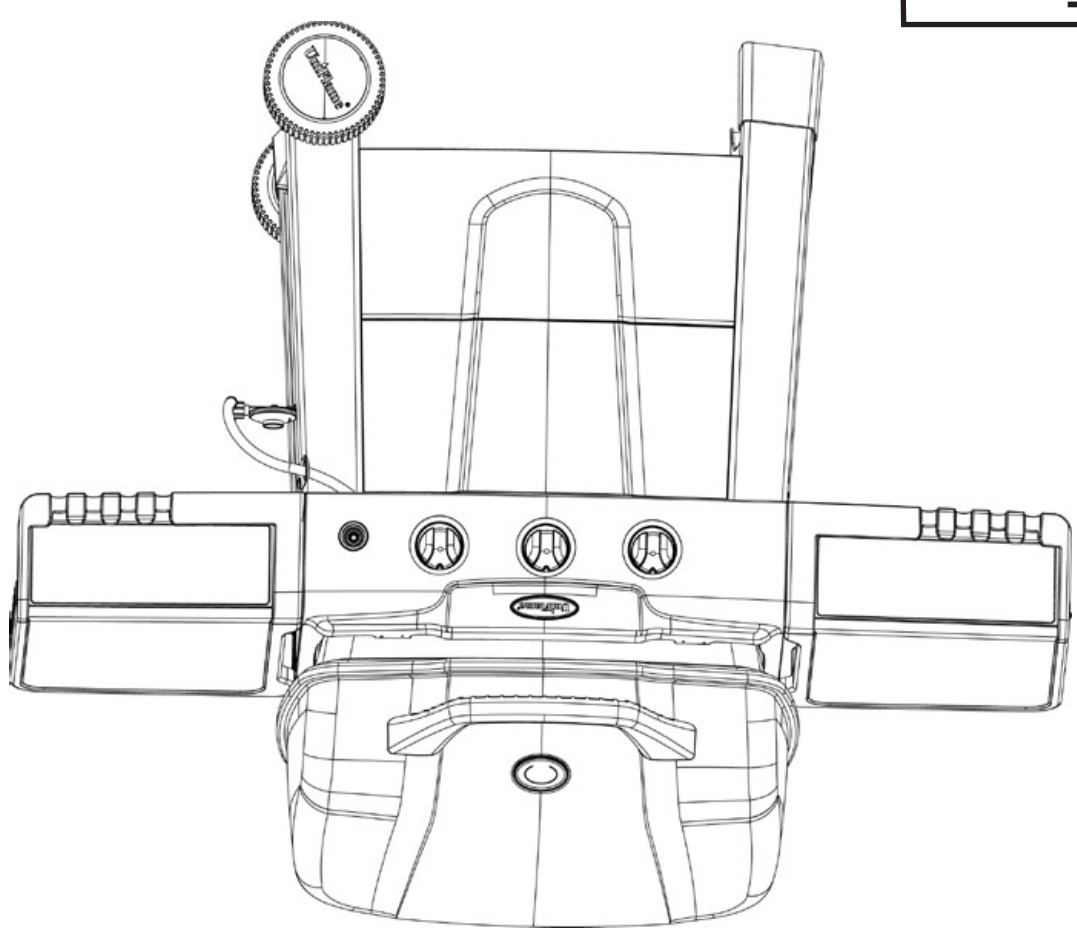


Table des matières

Consignes de sécurité importantes 2

Directives d'assemblage 3

Installer la bonne de propane 6

Insérer la bonne de propane 6

Fixer la bonne de propane 6

Brancher la bonne de propane 6

Utilisation 7

Rechercher une fuite potentielle 7

Fonctionnement des brûleurs principaux 7

Nettoyage et entretien 7

Enregistrement de l'appareil 8

Garantie limitée 8

Guide de dépannage 8

Vue éclatée des pièces et quincaillerie Annexe A

L'utilisation et l'installation de cet appareil doivent être conformes aux codes locaux. En l'absence de codes locaux, suivez le Code national du gaz et des carburants, la réglementation ANSI Z223.1/NFPA 54, CAN/CGA-B149.1 et le Code d'installation du gaz naturel et du propane.

Fabriquée en Chine pour:
 Blue Rhino Global Sourcing, LLC
 104 Cambridge Plaza Drive, Winston-Salem, NC 27104 États-Unis
 1.800.762.1142, www.bluerhino.com
 © 2005 Blue Rhino Global Sourcing, LLC. Tous droits réservés.
 UniFlame® est une marque déposée de Blue Rhino Global Sourcing, LLC. Tous droits réservés.
 GBC621CR-C-OM-108 EF



Conservez ces instructions afin de pouvoir les consulter ultérieurement. Si vous êtes en train d'assembler cet appareil pour une autre personne, veuillez lui fournir le manuel afin qu'elle puisse le lire et le consulter plus tard.

Proposition 65 de Californie
 L'État de la Californie reconnaît que la combustion du propane produit des émanations et des résidus chimiques qui provoquent le cancer, des malformations congénitales et sont nocifs pour le système reproductif.

MISE EN GARDE
 POUR VOTRE SÉCURITÉ:

1. Toute installation défectueuse ou modification incorrecte ainsi que tout mauvais réglage ou entretien incorrect risque d'entraîner des blessures ou des dégâts matériels.

2. Lire complètement les instructions d'installation, d'utilisation et d'entretien avant de procéder à la maintenance de l'appareil ou à son entretien.

3. Le non-respect de ces consignes risque de provoquer un incendie ou une explosion et entraîner des dégâts matériels, des blessures graves voire la mort.

MISE EN GARDE
 POUR VOTRE SÉCURITÉ:

Pour usage à l'extérieur seulement (hors de tout abri clos)