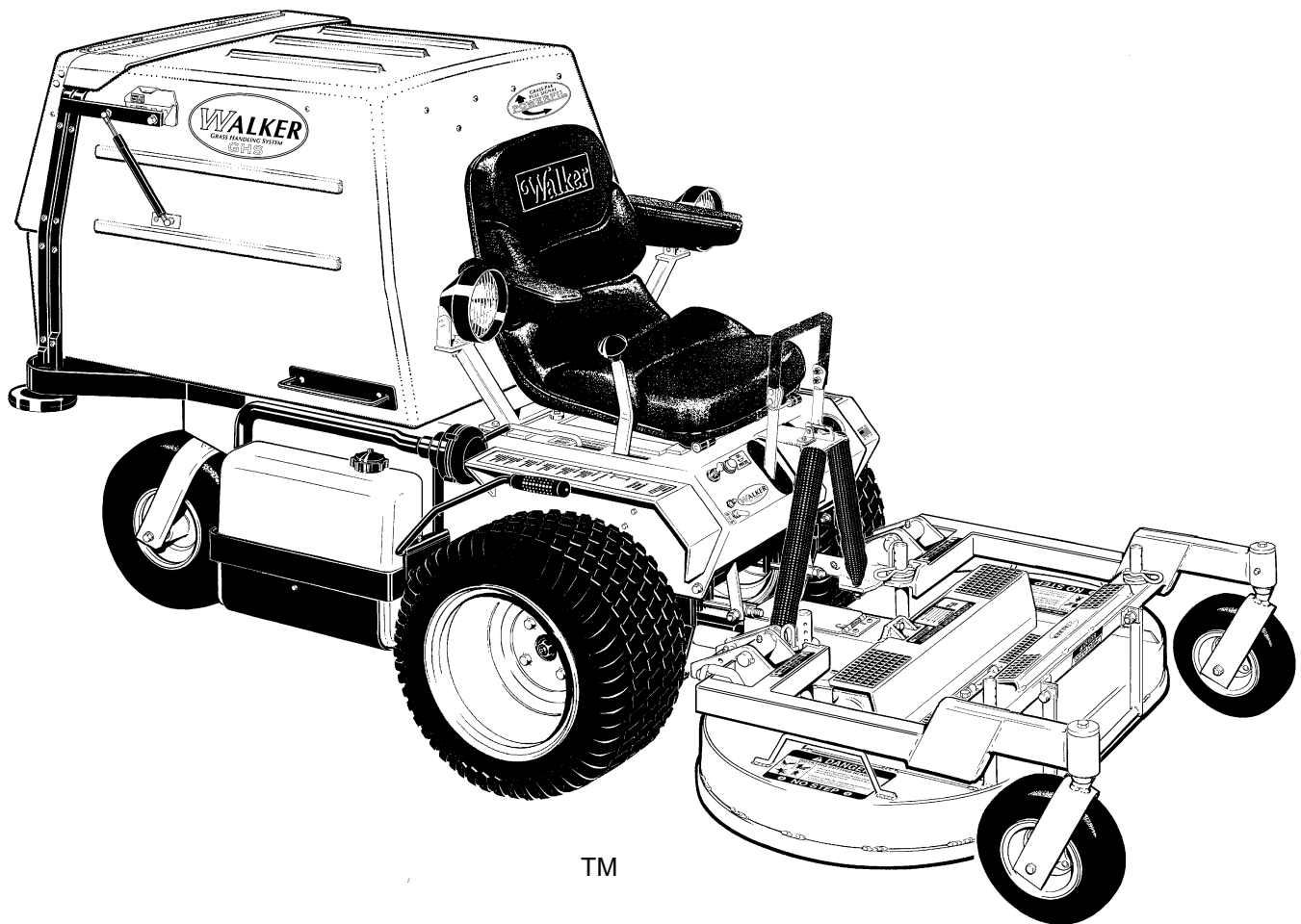


# Walker Rider Lawnmowers

## ILLUSTRATED PARTS MANUAL

Model MC (16 HP)  
(Covers Serial Numbers 01-49733 and on)



TM

CE

Effective Date:  
12-01-00

P/N 6000-6  
Price \$5.00

# KEY TO ABBREVIATIONS USED IN THIS MANUAL

<i>Abbreviation</i>	<i>What it Represents</i>
° (Dimension)	Degrees (Angle)
" (Dimension)	inches
(-)	Negative (Polarity)
(+)	Positive (Polarity)
AT	All-Terrain
CCW	Counter-clockwise
Conn.	Connector
CW	Clockwise
D	Diameter
DGHS	Deck, Grass Handling System (number refers to size in inches)
DML	Deck, Mulching (number refers to size in inches)
DSD	Deck, Side Discharge (number refers to size in inches)
DU	Garlock (Bearing)
ESNA (Fastener)	Nylon Insert Locknut
FSC	Forward Speed Control
GA	Gauge
gal.	gallon
GHS	Grass Handling System
GR (Fastener)	Grade
HP	Horse Power
HT	Heat-Treated
ID	Identification or Inside Diameter
L	Length
LH	Left Hand (orientated with operator on seat)
LP	Low Profile
mm (Dimension)	millimeters
MS (Fastener)	Machine Screw
NS (as part number)	Item is not sold by Walker Manufacturing
OD	Outside Diameter
oz.	ounce
PFH (Fastener)	Phillips Flat Head
P/N	Part Number
PPH (Fastener)	Phillips Pan Head
PTH (Fastener)	Phillips Truss Head
PTO	Power Take-Off
QKS	Quick Slide
qt.	quart
RH	Right Hand (orientated with operator on seat)
SAE (Fastener)	Society of Automotive Engineers
SBH (Fastener)	Socket Button Head (Bolt)
SD	Side Discharge
SFH (Fastener)	Slotted Flat Head
SHC (Fastener)	Socket Head Cap
SHL (Fastener)	Shoulder (Bolt)
SM (Fastener)	Sheet Metal (Screw)
S/N	Serial Number
Spg.	Spring
SQH (Fastener)	Square Head
SS (Fastener)	Stainless Steel
ST (Fastener)	Self-Tapping (Screw)
Term.	Terminal
V	Volts

**NOTE:** In some instances, combinations of abbreviations may be used (e.g. PPHMS - Phillips Pan Head Machine Screw).

Use only genuine **Walker**<sup>®</sup> replacement parts.

Effective Date 12-01-00

# ILLUSTRATED PARTS LIST

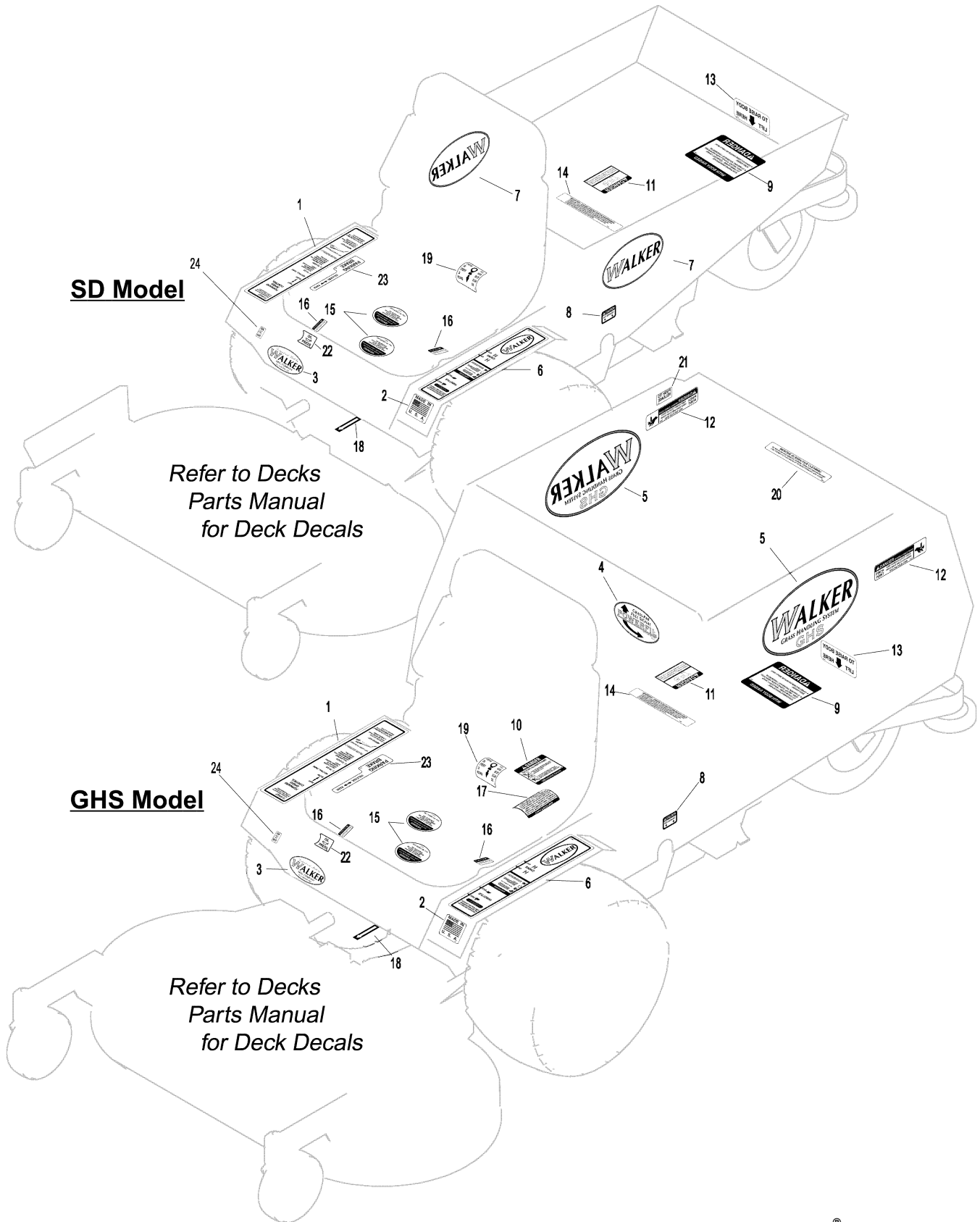
<i>Section of Mower Covered</i>	<i>Page</i>	<i>Section of Mower Covered</i>	<i>Page</i>
<hr/>		<hr/>	
<b>Decals</b>		<b>Electrical Components</b>	
Tractor Decals.....	2	Electrical Assemblies	
		(Chassis Components).....	32
<b>Body / Chassis Assemblies</b>		(Body Components).....	34
Body / Chassis Assembly (GHS Models).....	4	(GHS 6.7 Bushel Components).....	36
Body Assembly		(GHS 9.5 Bushel Components).....	38
(GHS 9.5 Bushel Models).....	6	Electrical Connectors.....	40
(SD Models).....	8		
<b>Tractor Components</b>		<b>Options and Kits</b>	
Main Component Power Transmission		Armrest Kit / Touch-Up Paint .....	42
(GHS Models).....	10	Comfort Seat / Armrest Kit .....	44
(SD Models).....	12	Suspension Seat Kit.....	46
Engine Group .....	14	Light Kit .....	48
Hydrostatic Ground Drive Assemblies .....	16	Case-Hardened Blower Kit .....	50
Steering Control Assemblies.....	18	No Catch Deflector Kit (6.7 Bushel) .....	52
Throttle & Choke Control Assemblies .....	20	No Catch Deflector Kit (9.5 Bushel) .....	54
Parking Brake Assembly .....	22	All-Terrain Tire Kit & Tire Chain Sets .....	56
GHS Group .....	24		
GHS Powerfil® Assembly .....	26	<b>Maintenance</b>	
GHS 6.7 Bushel Catcher &		Lubrication Points .....	58
Exhaust Deflector Assemblies .....	28	Wiring Schematic .....	60
GHS 9.5 Bushel Catcher &			
Exhaust Deflector Assemblies .....	30	<b>Warranty</b>	
		Limited Warranty .....	61

# TRACTOR DECALS

ITEM NO.	PART NO.	DESCRIPTION	LOCATION	NO. REQ'D. GHS	NO. REQ'D SD
<b>Walker Product and Operation Decals</b>					
1	7802	RH Fender	Body, RH near Seat	1	1
2	5856	Made in USA	Body, Spring Bracket	1	1
3	5803	Walker Manufacturing Logo	Body	1	1
4	5813-1	Powerfil®	6.7 / 9.5 Bushel Catcher, Front	1	0
5	5801	GHS	6.7 / 9.5 Bushel Catcher (one on each side)	2	0
6	5802-2	LH Fender	Body, LH near Seat	1	1
7	5800	Walker Mower (4 x 7-1/2)	Utility Bed (one on each side)	0	2
<b>Danger Decals Warning Decals Caution Decals</b>					
8	5805	Caution, Engine Exhaust	Body, LH Side	1	1
9	5861	Danger, Raised Body	Body - Underside, Center	1	1
10	5804	Danger, Rotating Blower Blades	Body near Body Chute	1	0
11	6810	Danger, Engine Exhaust	Engine	1	1
12	5868	Danger, Pinch Point	6.7 / 9.5 Bushel Catcher Mounting Frame Assembly (one on each side)	2	0
<b>Maintenance Decals</b>					
13	5815	Body Lift	Rear Bumper	1	1
14	5855	Important, Engine Cooling	Engine	1	1
15	5810-2	Reservoir	Hydrostatic Drives (one on each)	2	2
16	5810-1	Axle Oil Level	Gear Axle Drive Assemblies (one on each)	2	2
17	5819	Blower Maintenance	Blower Housing	1	0
18	6875	PTO Alignment Arrow	Universal Joint Tube Assembly	1	1
19	7827	Oil Level	Jackshaft Support	1	1
20	5869	Removable Screen	6.7 / 9.5 Bushel Catcher Removable Screen	1	0
21	5874	Push to Release	6.7 / 9.5 Bushel Catcher Safety Latch	1	0
22	6807	Oil Pressure	Body	1	1
23	7809	Parking Brake	Body, RH below seat	1	1
<b>Option Decals (applied only to units with corresponding Options installed)</b>					
24	5877	Lights, On-Off	Body	1	1
	8500-8	No Catch Deflector	6.7 / 9.5 Bushel No Catch Deflector, LH Side (Refer to 6.7 or 9.5 Bushel No Catch Deflector Kit Listing)	1	0
	8500-9	No Catch Deflector, Off-On	Body, RH above fender (Refer to 6.7 Bushel No Catch Deflector Kit Listing)	1	0

**NOTE:** All parts requiring decals are shipped with decals applied.

# TRACTOR DECALS



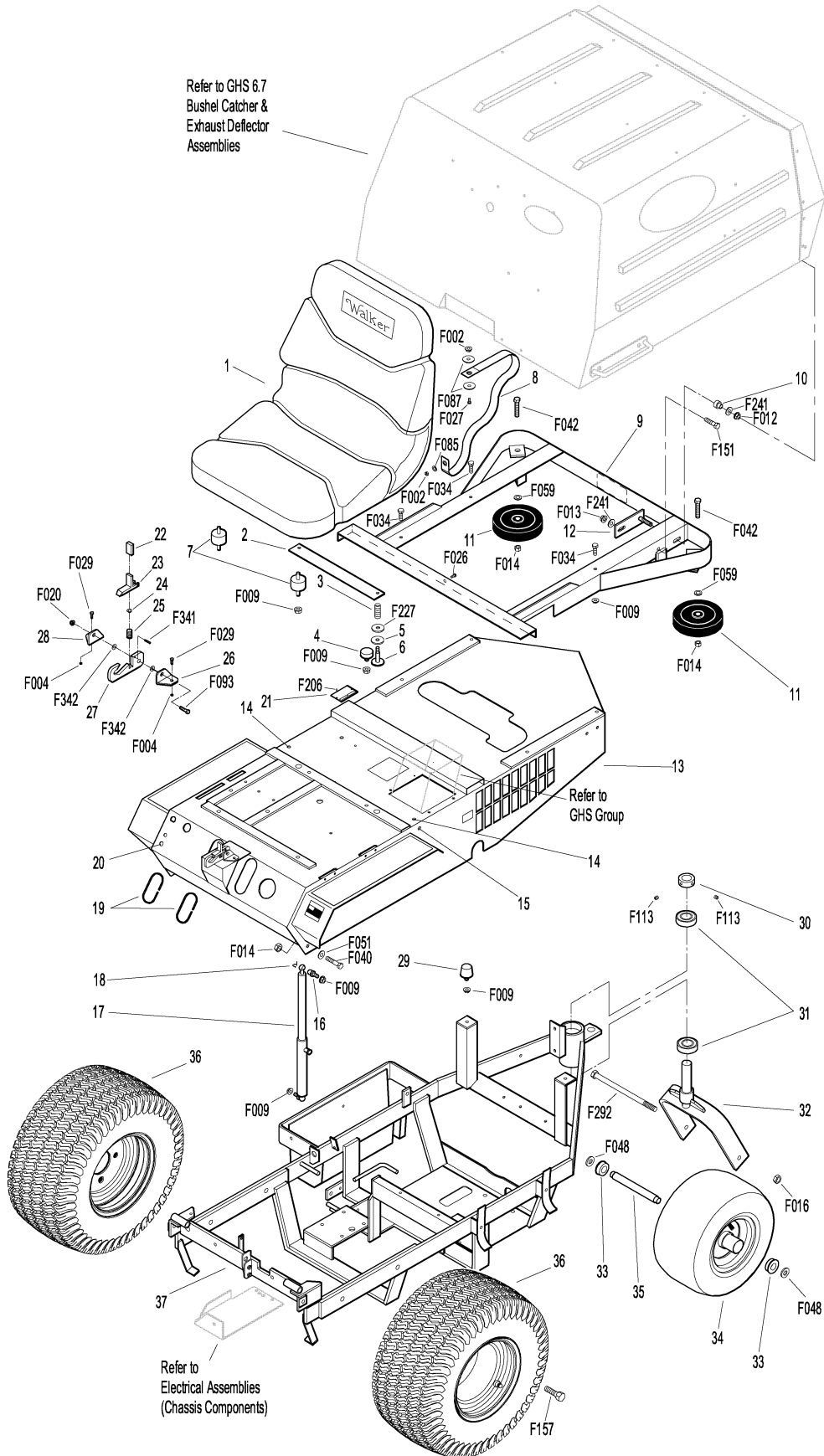
# BODY / CHASSIS ASSEMBLY (GHS MODELS)

ITEM NO.	PART NO.	DESCRIPTION	NO. REQ'D	ITEM NO.	PART NO.	DESCRIPTION	NO. REQ'D
<b>Seat Assembly</b>				36	5075	Wheel & Tire Assembly LP (18 x 8.50-10)	2
1	5103	Seat	1		5070-2	Tire Only (18 x 8.50-8)	**
2	7203	Seat Spring Plate	1		5070-4	Wheel Only (8 x 7)	**
3	7223	Compression Spring (1/2 x 1)	2		5033-2	Wheel & Tire Assembly (18 x 6.50-8)	***
4	7845	Rubber Bumper (1.375 OD x .63)	2		5030-2	Tire Only (18 x 6.50-8)	**
5	7846	Rubber Washer (3/8 ID x 1-1/4 OD x 1/8)	2		5031-2	Wheel Only (8 x 5.5)	**
6	7204	Shoulder Bolt, Seat Mount	2		5030-4	Tire Tube (18 x 8.50-8)	**
7	7440-5	Shock Mount (1.25 D x .75)	2	37	6307-1	Chassis Frame	1
<b>Rear Bumper Assembly (GHS 6.7 Bushel Models Only)*</b>				<b>Fasteners</b>			
8	5566	Tilt Stop Strap	1		F002	10-24 Keps Nut	2
9	5516	Rear Bumper (6.7)	1		F004	1/4-20 Keps Nut	2
10	7516-5	Catcher Pivot Bushing	2		F009	5/16-18 Whiz Locknut	10
11	5162	Roller Wheel (5")	2		F012	3/8-16 Keps Nut	2
12	7517-2	Catcher Pivot Plate	2		F013	3/8-16 Whiz Locknut	2
<b>Body Assembly</b>					F014	3/8-16 ESNA Nut	4
13	6100-7	Welded Body	1		F016	1/2-13 Self-Locking Nut	1
14	5989-3	Dome Plug (5/16)	2		F020	5/16-18 ESNA Nut	1
15	5989-4	Dome Plug (3/8)	2		F026	10-24 x 1/2 PPHMS	1
16	7146	13mm Ball Stud	2		F027	10-24 x 5/8 PPHMS	1
17	5145	Gas Spring Assembly (Includes Items # 16 & 18)	1		F029	1/4-20 x 1/2 Hex Bolt	2
18	7147	Spring Clip	2		F034	5/16-18 x 3/4 Hex Bolt	4
19	5180	Edge Molding, Lever Opening	2		F040	3/8-16 x 1-1/2 Hex Bolt	2
20	5989-5	Dome Plug (7/16)	1		F042	3/8-16 x 2 1/4 Hex Bolt	2
21	NS	Body ID Plate	1		F048	1/2 SAE Washer	2
<b>Tilt-Up Latch Assembly</b>					F051	3/8 SAE Washer	2
22	5847	Plastic Tip	1		F059	3/8 Wave Spring Washer	2
23	5744-20	Tilt-Up Latch Spring Arm	1		F085	3/16 Rivet Backup Washer	1
24	5744-10	Spring Pivot Bushing	1		F087	#10 x 7/8 Fender Washer	2
25	5744-15	Compression Spring (3/8 x 5/8)	1		F093	5/16-18 x 1 Hex Bolt	1
26	5744-13	Mount Angle, LH	1		F113	5/16-18 x 5/16 Set Screw	2
27	5744-12	Hook, Tilt-Up Latch	1		F151	3/8-16 x 7/8 Hex Bolt	2
28	5744-14	Mount Angle, RH	1		F157	1/2-20 x 1-1/4 Wheel Lug Bolt	8
<b>Chassis Assembly</b>					F206	#2 x 3/16 Drive Pin	2
29	5845	Rubber Bumper (1.50 OD x 1.25)	2		F227	3/8 x 1-1/4 x 1/8 Plastic Washer	2
30	5267-1	Retainer Collar (1") (Includes Item # F113)	1		F241	.375 x .875 x .10 Washer	4
31	5270-1	Pivot Bearing	2		F292	1/2-13 x 8-1/2 Hex Bolt GR 2	1
32	5420-2	Tail Wheel Fork	1		F341	Coil Roll Pin (7/64 x 9/16)	1
33	5037-1	Bearing	2		F342	5/16 Conical Washer	2
34	5035	Tail Wheel & Tire Assembly (13 x 6.50-6)	1				
	5035-1	Tire Only (13 x 6.50-6)	**				
	5036	Wheel & Hub Only (6 x 4.5)	**				
35	5038-1	Axle Spacer Tube (6-5/8)	1				
				*		Rear Bumper Assembly for GHS 9.5 Bushel Models is not shown here. Refer to <b>BODY ASSEMBLY (GHS 9.5 BUSHEL MODELS)</b> , Page 6. Rear Bumper Assembly for SD Models is not shown here. Refer to <b>BODY ASSEMBLY (SD MODELS)</b> , Page 8.	
				**		Service Part Only	
				***		May be ordered as a factory-installed option or for dealer installation. Narrow Drive Tires are used when installing a 36" Deck. Contact your Walker dealer.	

Use only genuine **Walker**<sup>®</sup> replacement parts.

Effective Date 12-01-00

# BODY / CHASSIS ASSEMBLY (GHS MODELS)



## BODY ASSEMBLY (GHS 9.5 BUSHEL MODELS)

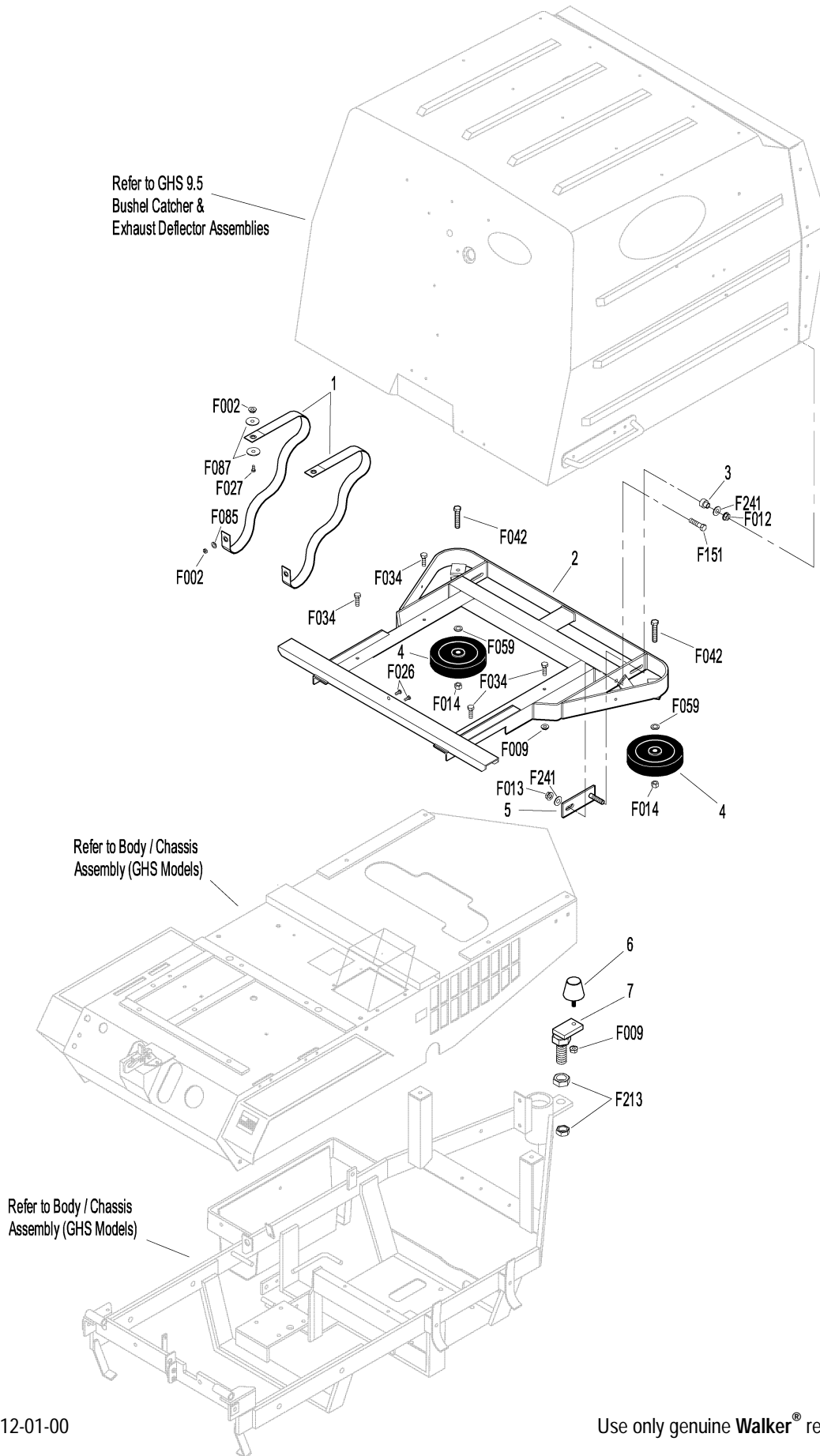
ITEM NO.	PART NO.	DESCRIPTION	NO. REQ'D	ITEM NO.	PART NO.	DESCRIPTION	NO. REQ'D
<b>Body Assembly (GHS 9.5 Bushel Models Only)*</b>				<b>Fasteners</b>			
1	5566	Tilt Stop Strap	2	F002		10-24 Keps Nut	4
2	5516-15	Rear Bumper (9.5) MC Twin	1	F009		5/16-18 Whiz Locknut	5
3	7516-5	Catcher Pivot Bushing	2	F012		3/8-16 Keps Nut	2
4	5162	Roller Wheel (5")	2	F013		3/8-16 Whiz Locknut	2
5	7517-2	Catcher Pivot Plate	2	F014		3/8-16 ESNA Nut	2
6	5845	Rubber Bumper (1.50 OD x 1.25)	1	F026		10-24 x 1/2 PPHMS	2
7	5516-10	Bumper Mount (C-Twin)	2	F027		10-24 x 5/8 PPHMS	2
				F034		5/16-18 x 3/4 Hex Bolt	4
				F042		3/8-16 x 2-1/4 Hex Bolt	2
				F059		3/8 Wave Spring Washer	2
				F085		3/16 Rivet Backup Washer	2
				F087		#10 x 7/8 Fender Washer	4
				F151		3/8-16 x 7/8 Hex Bolt	2
				F213		3/4-10 Jam Nut	2
				F241		.375 x .875 x .10 Washer	4

\* Rear Bumper Assembly for GHS 6.7 Bushel Models is not shown here. Refer to **BODY / CHASSIS ASSEMBLY (GHS MODELS)**, Page 4. Rear Bumper Assembly for SD Models is not shown here. Refer to **BODY ASSEMBLY (SD MODELS)**, Page 8.

**NOTE:** Refer to **BODY / CHASSIS ASSEMBLY (GHS MODELS)**, Page 4 for all common parts used on both GHS and SD models.



# BODY ASSEMBLY (GHS 9.5 BUSHEL MODELS)



Effective Date 12-01-00

Use only genuine Walker® replacement parts.

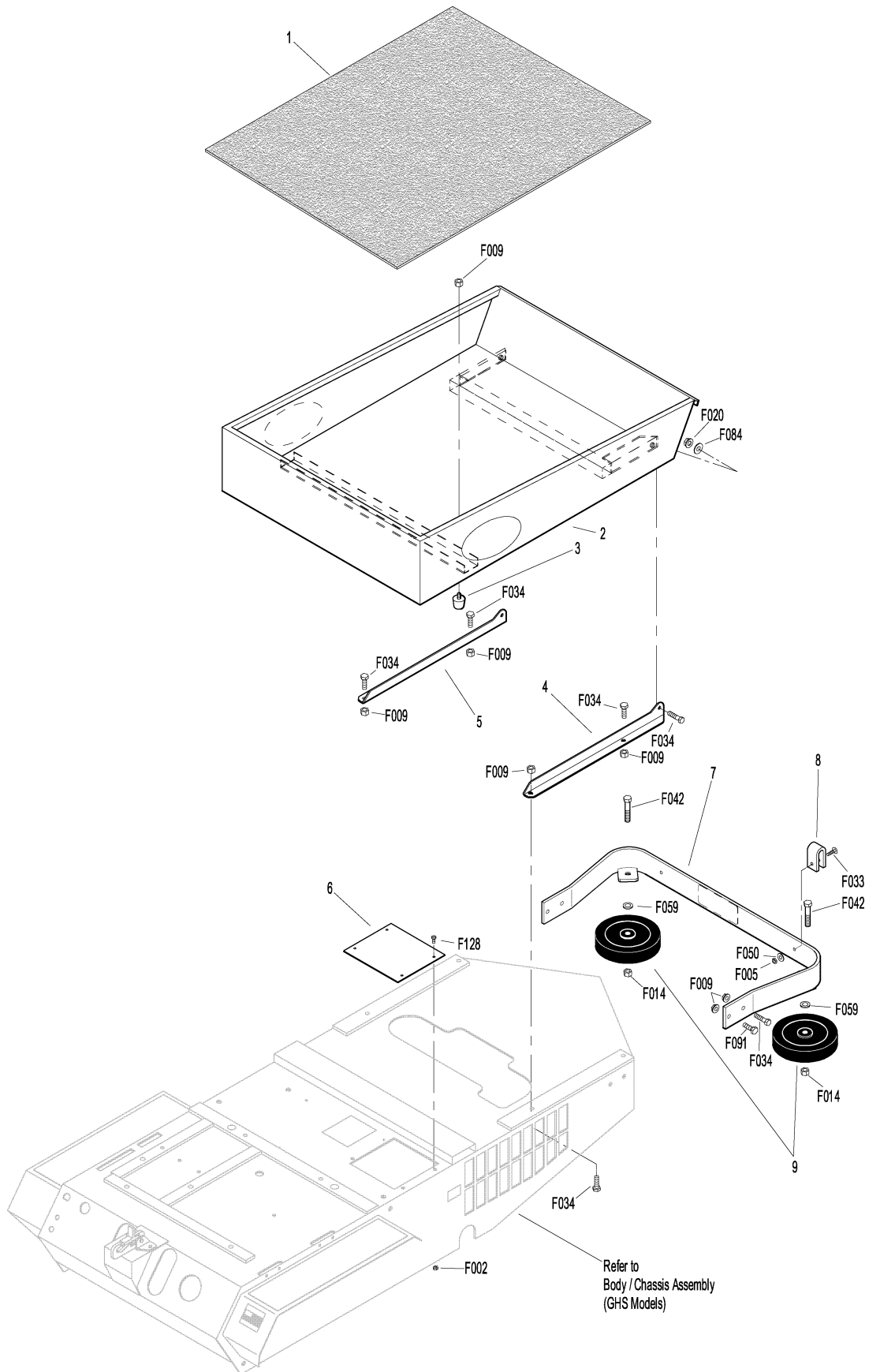
## BODY ASSEMBLY (SD MODELS)

ITEM NO.	PART NO.	DESCRIPTION	NO. REQ'D	ITEM NO.	PART NO.	DESCRIPTION	NO. REQ'D
<b>Utility Bed Assembly</b>				<b>Fasteners</b>			
1	8650-10	Bed Liner	1	F002		10-24 Keps Nut	4
2	5656	Utility Bed (Includes Items # 1 & 3)	1	F005		1/4-20 ESNA Nut	2
3	5845	Rubber Bumper (1.50 OD x 1.25)	2	F009		5/16-18 Whiz Locknut	10
4	5652-1	Utility Bed Mount, LH	1	F014		3/8-16 ESNA Nut	2
5	5651-1	Utility Bed Mount, RH	1	F020		5/16-18 ESNA Nut	2
<b>Rear Bumper Assembly (SD Models Only)*</b>				F033		1/4-20 x 1 PTH Bolt	2
6	7153-3	Cover Plate	1	F034		5/16-18 x 3/4 Hex Bolt	8
7	5112	Rear Bumper	1	F042		3/8-16 x 2-1/4 Hex Bolt	2
8	5161	Bumper Pad	2	F050		1/4 SAE Washer	2
9	5162	Roller Wheel (5")	2	F059		3/8 Wave Spring Washer	2
				F084		5/16 Wave Spring Washer	2
				F091		5/16-18 x 5/8 Hex Bolt	2
				F128		10-24 x 3/8 PTHMS	4

\* Rear Bumper Assembly for GHS Models is not shown here. Refer to **BODY / CHASSIS ASSEMBLY (GHS MODELS)**, Page 4, or **BODY ASSEMBLY (GHS 9.5 BUSHEL MODELS)**, Page 6.

**NOTE:** Refer to **BODY / CHASSIS ASSEMBLY (GHS MODELS)**, Page 4 for all common parts used on both GHS and SD models.

# BODY ASSEMBLY (SD MODELS)

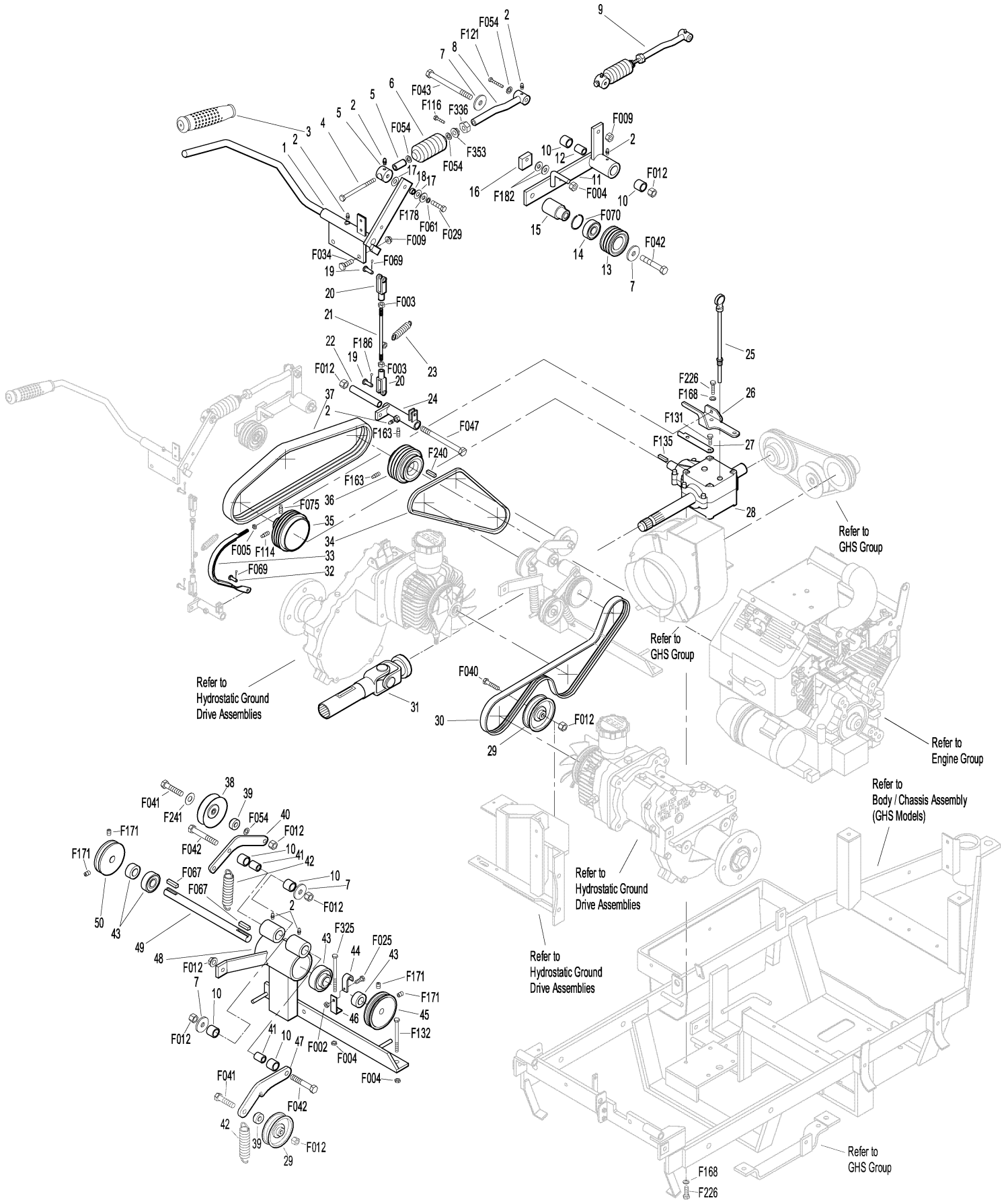


# MAIN COMPONENT POWER TRANSMISSION (GHS MODELS)

ITEM NO.	PART NO.	DESCRIPTION	NO. REQ'D	ITEM NO.	PART NO.	DESCRIPTION	NO. REQ'D
<b>Clutch Lever Assembly</b>				43	5268	Bearing (3/4)	2
1	6358-1	Clutch Lever (Includes Items # 2 & 3)	1	44	7833	Cable Clamp (7/8 x 1/4)	1
2	5830	Grease Fitting	6	45	7241-2	Transmission Drive Pulley, Micro-V (Includes Item # F171)	1
3	7860	Handle Grip	1	46	8539	Starter Relay Mount	1
4	7303-10	Clutch Actuator Bolt (3/8)	1	47	8349	Transmission Belt Tightener Arm	1
5	7380-5	Knuckle Joint, 3/8 ID	1	48	8393	Jackshaft Support	1
6	7226-10	Compression Spring (3/4 x 2-1/2)	1	49	8273	Jackshaft (3/4 x 7-1/2)	1
7	5841	Retainer Washer	4	50	7240-1	Jackshaft Drive Pulley (Includes Item # F171)	1
8	6130-5	Push Rod, Clutch Actuator	1		7240-2	Jackshaft Drive Pulley (2-3/4 / 3V)	*
9	6130-10	Clutch Actuator Rod Assembly (Includes Items # 2, 4-6, 8, F054, F336 & F353)	1	<b>Fasteners</b>			
10	7201-3	DU Bearing	6		F002	10-24 Keps Nut	1
11	8368	PTO Belt Tightener	1		F003	1/4-28 Hex Nut	2
12	7201-5	Inner Race (2-1/4)	1		F004	1/4-20 Keps Nut	3
13	8243-1	Clutch Idler Pulley	1		F005	1/4-20 ESNA Nut	1
	8243	Clutch Idler Pulley Assembly (Includes Items # 14, 15 & F070)	1		F009	5/16-18 Whiz Locknut	3
14	5265	Bearing (3/4)	1		F012	3/8-16 Keps Nut	8
15	8243-3	Hub, Idler Pulley	1		F025	10-24 x 3/8 PPHMS	1
16	8375	PTO Belt Tightener Stop	1		F029	1/4-20 x 1/2 Hex Bolt	1
17	7377	Plastic Washer (1 x .438 x .025)	2		F034	5/16-18 x 3/4 Hex Bolt	2
18	7378	Pivot Bearing (7/16 x 9/16)	1		F040	3/8-16 x 1-1/2 Hex Bolt	1
19	5281-5	Clevis Pin (1/4 x 0.80)	2		F041	3/8-16 x 1-3/4 Hex Bolt	2
20	5280	Clevis (1/4)	2		F042	3/8-16 x 2-1/4 Hex Bolt	3
21	8305	Brake Actuator Rod	1		F043	3/8-16 x 3 Hex Bolt	1
22	8370	Bearing, Brake Actuator	1		F047	3/8-16 x 4-1/2 Hex Bolt	1
23	8250	Brake Spring (1/2 x 2-1/2)	1		F054	AN960616 Washer	4
24	8369	Brake Actuator (Includes Items # 2 & 22)	1		F061	1/4 Internal Star Lock Washer	1
<b>PTO Drive Shaft Assembly</b>					F067	3/16 x 3/16 x 1 Key	2
25	7050-1	Dipstick, Gearbox	1		F069	3/32 x 1/2 Cotter Pin	2
26	8371-1	Mount Bracket, Brake Band	1		F070	1-3/4 Internal Snap Ring	1
27	8377	Brake Band Guide	1		F075	5/16-18 x 1/2 SQH Set Screw	1
28	8050	PTO Gearbox	1		F114	5/16-18 x 5/8 SQH Set Screw	1
29	5245	Idler Pulley (3")	2		F116	1/4-20 x 1-1/4 Hex Bolt	1
30	7248	Ground Drive Belt, Micro-V	1		F121	5/16-18 x 3/8 x 1 SHL Bolt	1
31	7275-15	Universal Joint Tube Assembly	1		F131	5/16-18 x 1/2 Hex Bolt	2
32	7523-2	Clevis Pin (1/4 x 5/8)	1		F132	1/4-20 x 2-3/4 Hex Bolt	1
33	8304	Brake Band (14-1/2)	1		F135	3/16 x 3/16 x 1-3/4 Key	1
34	6250	Drive Belt (3VX375)	1		F163	5/16-18 x 3/4 SQH Set Screw	2
35	7236	PTO Drive Pulley (Includes Items # F075 & F114)	1		F168	5/16 Split Lock Washer	6
36	8237	Engine Pulley (Includes Item # F163)	1		F171	5/16-18 x 3/8 Set Screw	4
37	8230	Engine PTO Belt	1		F178	1/4 x 1 Fender Washer	1
<b>Jackshaft Assembly</b>					F182	5/8 x 1/4 x 1/8 Washer	2
38	7245-1	Idler Pulley (3/8 Groove)	1		F186	5/64 x 1/2 Cotter Pin	1
39	6325-2	Spacer Bushing (5/16)	2		F226	5/16-18 x 7/8 Hex Bolt	6
40	7349-13	Idler Arm	1		F240	1/4 x 1/4 x 2-1/4 Key	1
41	7210-4	Inner Race (1-1/2)	2		F241	.375 x .875 x .10 Washer	1
42	5221	Extension Spring (3/4 x 4)	2		F325	1/4-20 x 3 Hex Bolt	1
					F336	3/8-16 Jam Nut	1
					F353	3/8-16 ESNA LP Nut	1

\* May be ordered as a kit for dealer installation. Contact your Walker dealer.

# MAIN COMPONENT POWER TRANSMISSION (GHS MODELS)



Effective Date 12-01-00

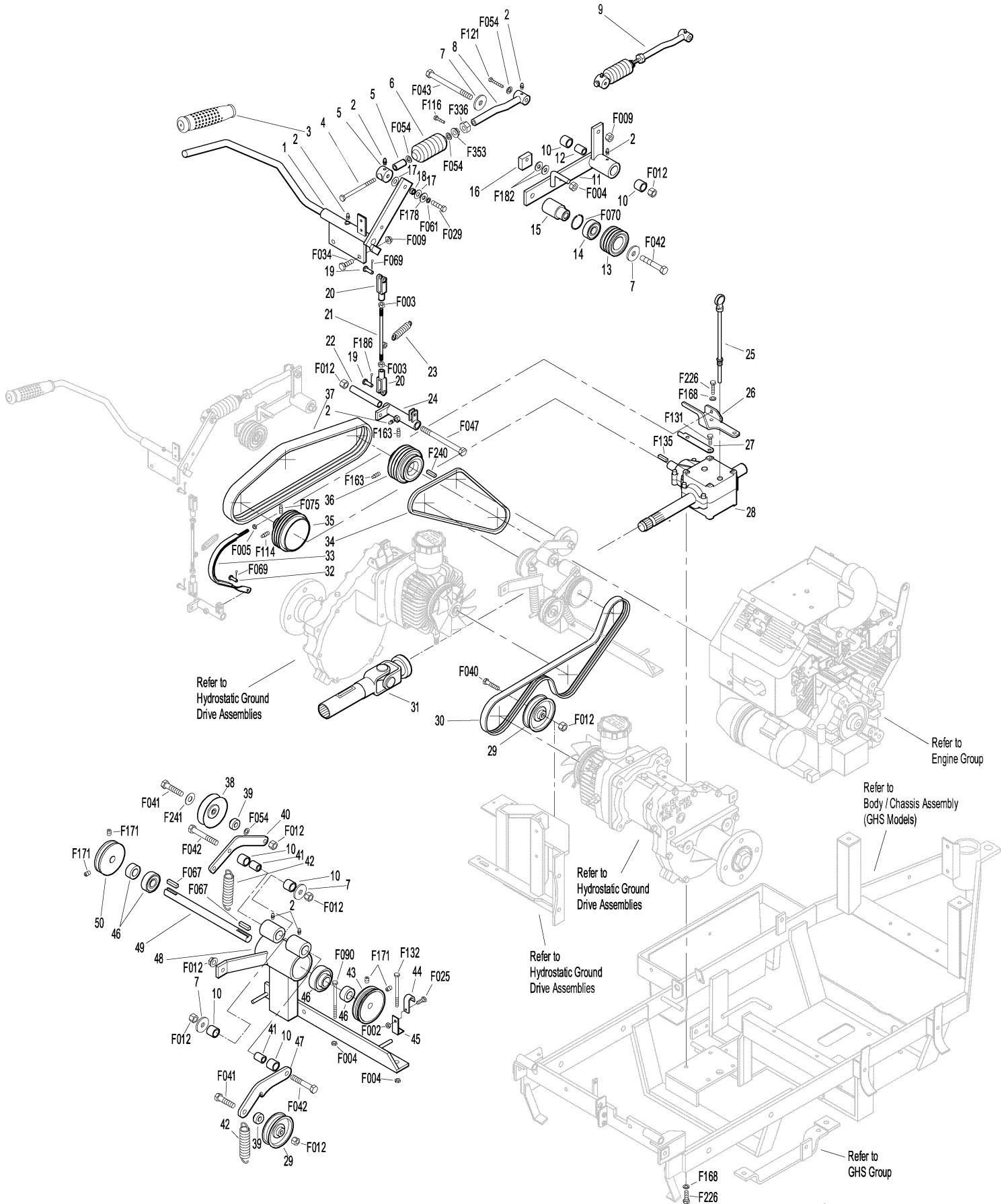
Use only genuine Walker® replacement parts.

# MAIN COMPONENT POWER TRANSMISSION (SD MODELS)

ITEM NO.	PART NO.	DESCRIPTION	NO. REQ'D	ITEM NO.	PART NO.	DESCRIPTION	NO. REQ'D
<b>Clutch Lever Assembly</b>				43	7241-2	Transmission Drive Pulley, Micro-V (Includes Item # F171)	1
1	6358-1	Clutch Lever (Includes Items # 2 & 3)	1	44	7833	Cable Clamp (7/8 x 1/4)	1
2	5830	Grease Fitting	6	45	8539	Starter Relay Mount	1
3	7860	Handle Grip	1	46	5268	Bearing (3/4)	2
4	7303-10	Clutch Actuator Bolt (3/8)	1	47	8349	Transmission Belt Tightener Arm	1
5	7380-5	Knuckle Joint, 3/8 ID	1	48	8393	Jackshaft Support	1
6	7226-10	Compression Spring (3/4 x 2-1/2)	1	49	8273	Jackshaft (3/4 x 7-1/2)	1
7	5841	Retainer Washer	4	50	7240-1	Jackshaft Drive Pulley (Includes Item # F171)	1
8	6130-5	Push Rod, Clutch Actuator	1		7240-2	Jackshaft Drive Pulley (2-3/4 / 3V)	*
9	6130-10	Clutch Actuator Rod Assembly (Includes Items # 2, 4-6, 8, F054, F336 & F353)	1	<b>Fasteners</b>			
10	7201-3	DU Bearing	6		F002	10-24 Keps Nut	1
11	8368	PTO Belt Tightener	1		F003	1/4-28 Hex Nut	2
12	7201-5	Inner Race (2-1/4)	1		F004	1/4-20 Keps Nut	3
13	8243-1	Clutch Idler Pulley	1		F005	1/4-20 ESNA Nut	1
	8243	Clutch Idler Pulley Assembly (Includes Items # 14, 15 & F070)	1		F009	5/16-18 Whiz Locknut	3
14	5265	Bearing (3/4)	1		F012	3/8-16 Keps Nut	8
15	8243-3	Hub, Idler Pulley	1		F025	10-24 x 3/8 PPHMS	1
16	8375	PTO Belt Tightener Stop	1		F029	1/4-20 x 1/2 Hex Bolt	1
17	7377	Plastic Washer (1 x .438 x .025)	2		F034	5/16-18 x 3/4 Hex Bolt	2
18	7378	Pivot Bearing (7/16 x 9/16)	1		F040	3/8-16 x 1-1/2 Hex Bolt	1
19	5281-5	Clevis Pin (1/4 x 0.80)	2		F041	3/8-16 x 1-3/4 Hex Bolt	2
20	5280	Clevis (1/4)	2		F042	3/8-16 x 2-1/4 Hex Bolt	3
21	8305	Brake Actuator Rod	1		F043	3/8-16 x 3 Hex Bolt	1
22	8370	Bearing, Brake Actuator	1		F047	3/8-16 x 4-1/2 Hex Bolt	1
23	8250	Brake Spring (1/2 x 2-1/2)	1		F054	AN960616 Washer	4
24	8369	Brake Actuator (Includes Items # 2 & 22)	1		F061	1/4 Internal Star Lock Washer	1
<b>PTO Drive Shaft Assembly</b>					F067	3/16 x 3/16 x 1 Key	2
25	7050-1	Dipstick, Gearbox	1		F069	3/32 x 1/2 Cotter Pin	2
26	8371-1	Mount Bracket, Brake Band	1		F070	1-3/4 Internal Snap Ring	1
27	8377	Brake Band Guide	1		F075	5/16-18 x 1/2 SQH Set Screw	1
28	8050	PTO Gearbox	1		F090	1/4-20 x 2-1/2 Hex Bolt	1
29	5245	Idler Pulley (3")	2		F114	5/16-18 x 5/8 SQH Set Screw	1
30	7248	Ground Drive Belt, Micro-V	1		F116	1/4-20 x 1-1/4 Hex Bolt	1
31	7275-15	Universal Joint Tube Assembly	1		F121	5/16-18 x 3/8 x 1 SHL Bolt	1
32	7523-2	Clevis Pin (1/4 x 5/8)	1		F131	5/16-18 x 1/2 Hex Bolt	2
33	8304	Brake Band (14-1/2)	1		F132	1/4-20 x 2-3/4 Hex Bolt	1
34	6250	Drive Belt (3VX375)	1		F135	3/16 x 3/16 x 1-3/4 Key	1
35	7236	PTO Drive Pulley (Includes Items # F075 & F114)	1		F163	5/16-18 x 3/4 SQH Set Screw	2
36	8237	Engine Pulley (Includes Item # F163)	1		F168	5/16 Split Lock Washer	6
37	8230	Engine PTO Belt	1		F171	5/16-18 x 3/8 Set Screw	4
<b>Jackshaft Assembly</b>					F178	1/4 x 1 Fender Washer	1
38	7245-1	Idler Pulley (3/8 Groove)	1		F182	5/8 x 1/4 x 1/8 Washer	2
39	6325-2	Spacer Bushing (5/16)	2		F186	5/64 x 1/2 Cotter Pin	1
40	7349-13	Idler Arm	1		F226	5/16-18 x 7/8 Hex Bolt	6
41	7210-4	Inner Race (1-1/2)	2		F240	1/4 x 1/4 x 2-1/4 Key	1
42	5221	Extension Spring (3/4 x 4)	2		F241	.375 x .875 x .10 Washer	1
					F336	3/8-16 Jam Nut	1
					F353	3/8-16 ESNA LP Nut	1

\* May be ordered as a kit for dealer installation. Contact your Walker dealer.

# MAIN COMPONENT POWER TRANSMISSION (SD MODELS)



Effective Date 12-01-00

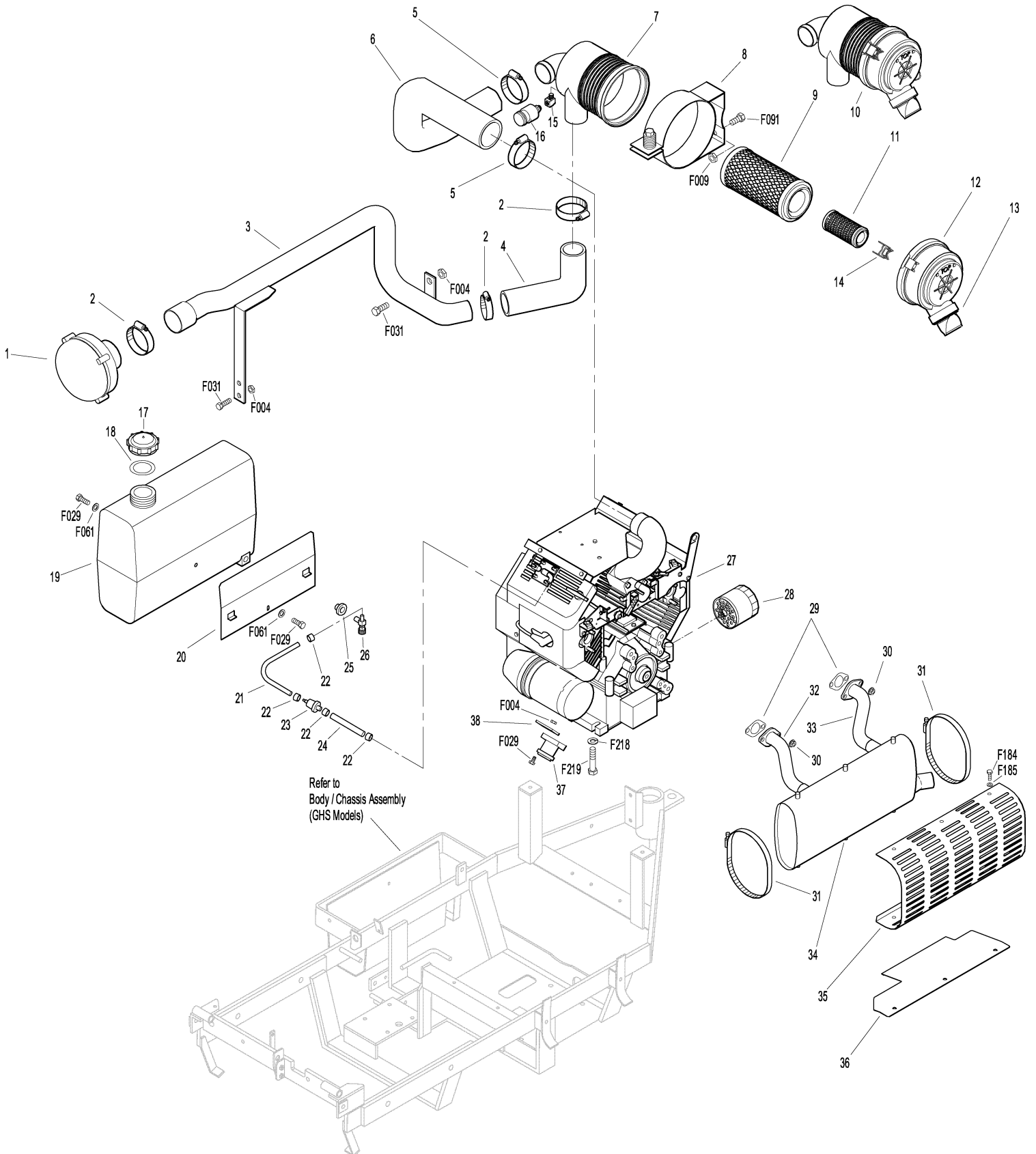
Use only genuine Walker® replacement parts.

# ENGINE GROUP

ITEM NO.	PART NO.	DESCRIPTION	NO. REQ'D	ITEM NO.	PART NO.	DESCRIPTION	NO. REQ'D
<b>Precleaner Assembly</b>				<b>Engine &amp; Exhaust Assemblies</b>			
1	7026-2	Remote Precleaner (Includes Item # 2)	1	27	NS	16 HP Engine (Kohler TH16S, Spec. # 52518)	1
2	7840	Hose Clamp (1-5/16 to 2-1/4)	3	28	NS	Oil Filter (Kohler 2805001)	1
3	6028-1	Precleaner Tube	1	29	NS	Gasket (Kohler 2404102)	2
4	7027	Elbow, Precleaner	1	30	NS	Nut (Kohler M-0841080)	4
5	6029	Hose Clamp (2-1/2)	2	31	8897	Muffler Band Clamp	2
6	6087	Air Intake Hose	1	32	6052	Exhaust Pipe, Rear	1
7	6090	Air Cleaner (Includes Item #11)	1	33	6051	Exhaust Pipe, Front	1
8	5088-1	Air Cleaner Band	1	34	8013-1	Muffler	1
9	5090-1	Air Cleaner Cartridge	1	35	8013-5	Muffler Heat Shield	1
10	6090-10	Air Cleaner Assembly (Includes Items # 7, 9, 11-13, 15 & 16)	*	36	8013-7	Muffler Heat Deflector	1
11	5090-3	Safety Filter	1	37	NS	Starter Solenoid (Kohler 2543502)	1
12	5088-11	Air Cleaner Cap	1	38	6327	Solenoid Mount	1
13	5090-2	Vacuator Valve	1	<b>Fasteners</b>			
14	5088-5	Air Cleaner Draw Latch	1		F004	1/4-20 Keps Nut	5
15	5091-9	Elbow, Brass 90°	1		F009	5/16-18 Whiz Locknut	2
16	5091-10	Air Flow Indicator & Nipple	1		F029	1/4-20 x 1/2 Hex Bolt	4
<b>Fuel Tank Assembly</b>					F031	1/4-20 x 5/8 Hex Bolt	3
17	5082	Fuel Tank Cap (Includes Item # 18)	*		F061	1/4 Internal Star Lock Washer	2
18	5082-2	Fuel Cap Seal	*		F091	5/16-18 x 5/8 Hex Bolt	2
19	6046	Fuel Tank, 3.0 gal., Gas (Includes Items # 17, 18, 25 & 26)	1		F184	1/4-20 x 1/2 Hex Bolt SS	6
20	8023	Fuel Tank Support	1		F185	1/4 Internal Star Lock SS	6
21	8015-2	Fuel Line, Tank (1/4 x 15)	1		F218	7/16 Split Lock Washer	4
22	5879-3	Hose Clamp (1/2)	4		F219	7/16-14 x 1-1/4 Hex Bolt	4
23	5020	Fuel Filter	1	* Service Part Only			
24	6015-3	Fuel Line, Engine (1/4 x 12-1/2)	1	<b>NOTE:</b> Refer to Kohler Engine Decal (NS) for Engine Identification Numbers.			
25	5083-1	Bushing, Rubber	*				
26	5083	Fuel Shut-Off Valve & Filter	*				



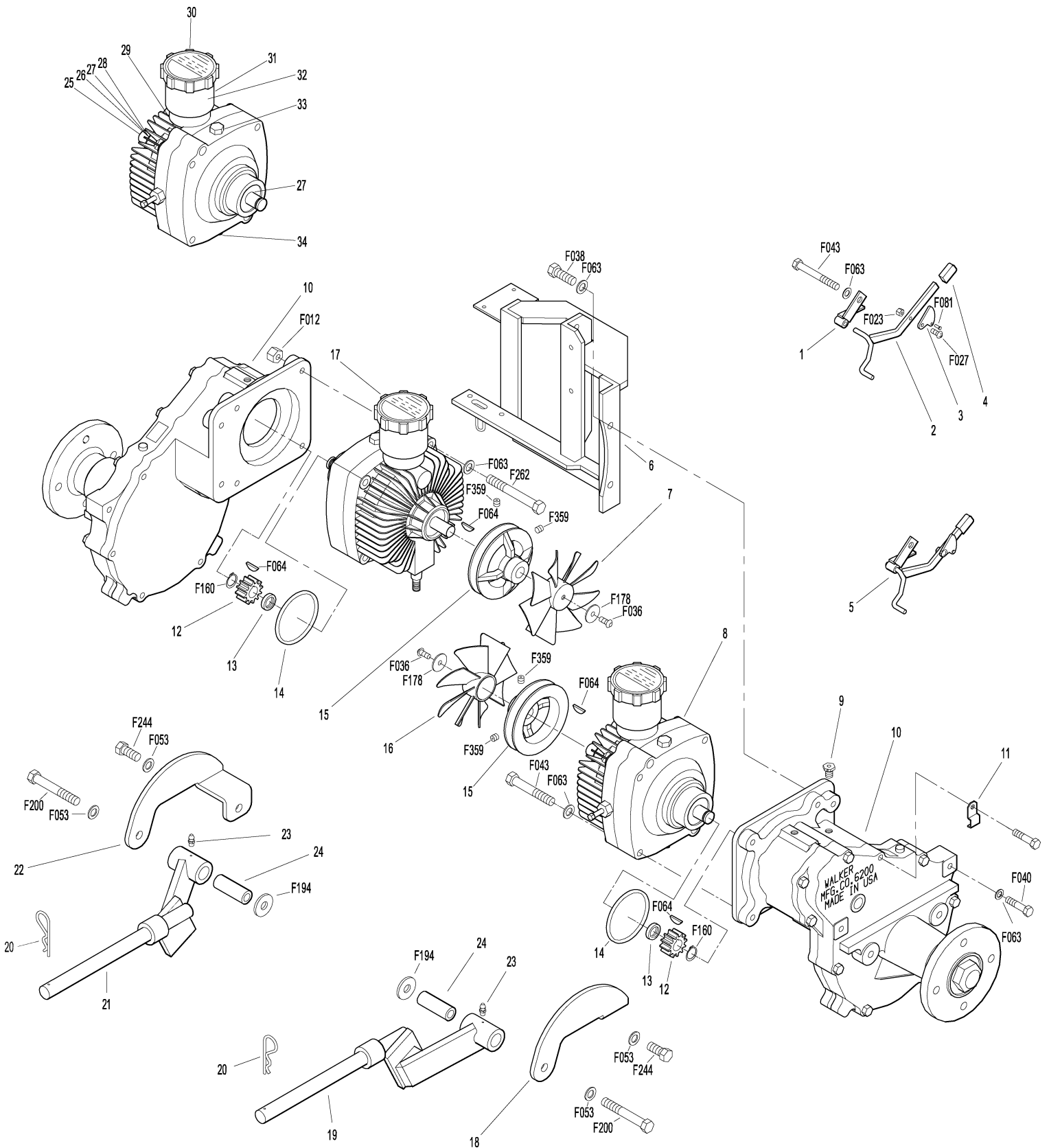
# ENGINE GROUP



# HYDROSTATIC GROUND DRIVE ASSEMBLIES

ITEM NO.	PART NO.	DESCRIPTION	NO. REQ'D	ITEM NO.	PART NO.	DESCRIPTION	NO. REQ'D
<b>Transmission Lockout Assembly</b>				<b>Transmission Repair Parts*</b>			
1	5027	Lockout Mount	2	25	5025-5	Input Shaft	*
2	5028	Lockout Lever	2	26	5025-8	Bearing, Input	*
3	5057	Lockout Cam (Includes Item # F081)	2	27	5025-7	Snap Ring	*
4	5847	Plastic Tip	2	28	5025-2	Seal, Input Shaft	*
5	5028-3	Transmission Lockout Assembly (Includes Items # 1-4, F023 & F027)	*	29	5022	Reservoir to Casting Gasket	*
				30	5024	Reservoir Cap and Gasket	*
				31	5023	Transmission Reservoir Kit (Includes Items # 29, 30 & 32)	*
<b>Ground Drive Assemblies</b>				32	5023-1	Rubber Bladder	*
6	6209-1	Bridge Assembly	1	33	5025-6	O-Ring & Plug Assembly	*
7	6243-2	Hydro Fan, CCW	1	34	5025-3	Seal, Control Shaft	*
8	5026	Hydrostatic Drive, CW (700-041)	1	<b>Fasteners</b>			
9	6206	Pressure Relief Valve	*	F012	3/8-16 Keps Nut	1	
10	6200-7	Gear Axle Drive Assembly (Includes Item # 9)	2	F023	10-24 ESNA Nut	2	
11	5126	Cable Retainer (Uses Existing Bolt on Gear Axle Drive Assembly)	1	F027	10-24 x 5/8 PPHMS	2	
12	6233-1	Pinion Gear	2	F036	1/4-20 x 1/2 SBH Screw	2	
13	6234	Spacer, Pinion Gear	2	F038	3/8-16 x 1 Hex Bolt	4	
14	6201	O-Ring Seal	2	F040	3/8-16 x 1-1/2 Hex Bolt	4	
15	7244	Hydro Pulley (3-7/8)	2	F043	3/8-16 x 3 Hex Bolt	7	
16	6243-1	Hydro Fan, CW	1	F053	7/16 Internal Star Lock Washer	4	
17	5025	Hydrostatic Drive, CCW (700-042)	1	F063	3/8 Internal Star Lock Washer	16	
<b>Deck Support Arm Assemblies</b>				F064	1/8 x 1/2 Woodruff Key (#3)	4	
18	6430-10	Outboard Mount, LH	1	F081	A/A45D Aluminum Pop Rivet	2	
19	6430-2	Deck Support Arm, LH (Includes Item # 23)	1	F160	External Snap Ring (.669 Shaft)	2	
20	5775-2	Hitch Pin (#6)	2	F178	1/4 x 1 Fender Washer	2	
21	6430-1	Deck Support Arm, RH (Includes Item # 23)	1	F194	7/16 x 1-1/4 x 1/8 Washer	2	
22	6430-9	Outboard Mount, RH	1	F200	7/16-20 x 3 Grade 8 Bolt	2	
23	5830	Grease Fitting	2	F244	7/16-20 x 3/4 Hex Bolt	2	
24	6840-1	Support Arm Bushing	2	F262	3/8-16 x 4 Hex Bolt (Spec) All Thread	1	
				F359	5/16-18 x 5/16 Set Screw (Unbrako Knurl Point)	4	
				* Service Part Only			

# HYDROSTATIC GROUND DRIVE ASSEMBLIES



Effective Date 12-01-00

Use only genuine Walker® replacement parts.

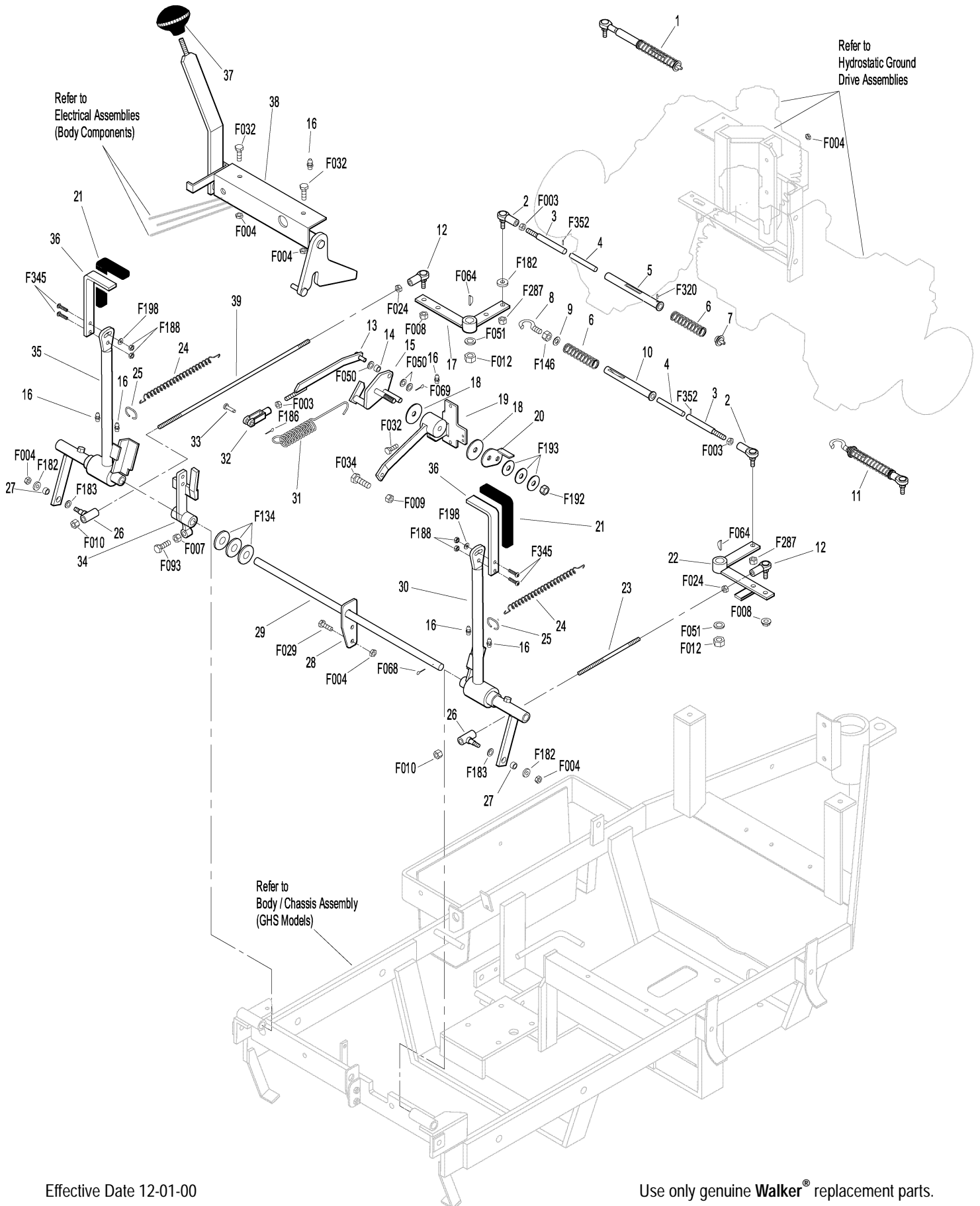
# STEERING CONTROL ASSEMBLIES

ITEM NO.	PART NO.	DESCRIPTION	NO. REQ'D	ITEM NO.	PART NO.	DESCRIPTION	NO. REQ'D
<b>Transmission Spring Assemblies</b>				33	5281-5	Clevis Pin (1/4 x 0.80)	1
1	6199	Transmission Spring Assembly (RH) (Includes Items # 2-7, F003, F287, F320 & F352)	*	34	5470-1	Speed Control Stop	1
2	5552	Ball Joint (1/4-28)	2	35	5450-3	Steering Lever Assembly, RH (Includes Items # 16, 21, 36, F188, F198 & F345)	1
3	5192-1	Spring Plunger (5/32) Hole	2		5450-5	Adjustable Steering Lever Arm, RH	1
4	5194	Plunger Sleeve	2	36	5453-10	Adjustable Steering Lever Handle (Includes Items # 21 & F345)	2
5	6191	Spring Slide (4-3/4)	1	37	5862	FSC Knob	1
6	5195	Compression Spring (1 x 5-1/8)	2	38	7170	FSC Lever Assembly (Includes Item # 16)	1
7	6196	Spring Slide Cap	1	39	5213-1	Control Rod, RH (15")	1
8	5197	J-Bolt	1	<b>Fasteners</b>			
9	5193	Washer (.750 ID x 1.00 OD x .085)	1	F003	1/4-28 Hex Nut	3	
10	5191	Spring Slide (3-5/8)	1	F004	1/4-20 Keps Nut	8	
11	5199	Transmission Spring Assembly (LH) (Includes Items # 2-4, 6, 8-10, F003, F146, F287 & F352)	*	F007	5/16-18 Jam Nut	1	
<b>Steering Lever &amp; FSC Assemblies</b>				F008	5/16-24 Keps Nut	2	
12	5214-2	Ball Joint (5/16-24), Nylon Lined	2	F009	5/16-18 Whiz Locknut	1	
13	5173	FSC Actuator Rod (Includes Items # 33 & F003)	1	F010	5/16-24 ESNA Nut	2	
14	5172	Bearing, Nylon (.255 ID x .379 OD x .250)	1	F012	3/8-16 Keps Nut	2	
15	5142-2	FSC Actuator Cam	1	F024	5/16-24 Jam Nut	2	
16	5830	Grease Fitting	6	F029	1/4-20 x 1/2 Hex Bolt	2	
17	6212	Transmission Control Arm, RH	1	F032	1/4-20 x 3/4 Hex Bolt	4	
18	5141	FSC Friction Washer	2	F034	5/16-18 x 3/4 Hex Bolt	1	
19	5140-15	FSC Friction Body (Includes Item # 16)	1	F050	1/4 SAE Washer	3	
20	5142-7	FSC Key	1	F051	3/8 SAE Washer	2	
	5140-13	FSC Control Assembly (Includes Items # 16, 18-20, 31, F192 & F193)	*	F064	1/8 x 1/2 Woodruff Key (#3)	2	
21	5850-2	Handle Grip, Foam (5-1/2)	2	F068	1/8 x 1 Cotter Pin	1	
22	5212-2	Transmission Control Arm, LH	1	F069	3/32 x 1/2 Cotter Pin	1	
23	5213-2	Control Rod, LH (6")	1	F093	5/16-18 x 1 Hex Bolt	1	
24	5223	Extension Spring (1/4 x 5-1/2)	2	F134	AN960816L Washer	3	
25	5450	D-Clip	2	F146	1/4-20 Jam Nut	1	
26	5463	Steering Lever Actuator	2	F182	1/4 x 5/8 x 1/8 Washer	3	
27	5214-1	Bearing, Steering Lever Actuator	2	F183	.312 x .700 x .074 Washer	2	
28	5391-3	Steering Lever Support	1	F186	5/64 x 1/2 Cotter Pin	1	
29	5217	Pivot Pin, Steering Lever	1	F188	1/4-20 Self-Locking Nut	4	
30	5451-3	Steering Lever Assembly, LH (Includes Items # 16, 21, 36, F188, F198 & F345)	1	F192	3/8-24 Self-Locking Nut	1	
	5451-5	Adjustable Steering Lever Arm, LH	1	F193	3/8 Belleville Spring Washer	3	
31	5219	FSC Extension Spring (3/4 x 6-3/4)	1	F198	.250 x .625 x .040 Washer, SS	2	
32	5280	Clevis (1/4)	1	F287	1/4-28 Keps Nut	2	
				F320	1/8 x 3/4 Split Spring Pin	1	
				F345	1/4-20 x .770 Knurled Bolt	4	
				F352	5/32 x 1 Hvy Duty Roll Pin	2	
				* Service Part Only			

Use only genuine **Walker**<sup>®</sup> replacement parts.

Effective Date 12-01-00

# STEERING CONTROL ASSEMBLIES



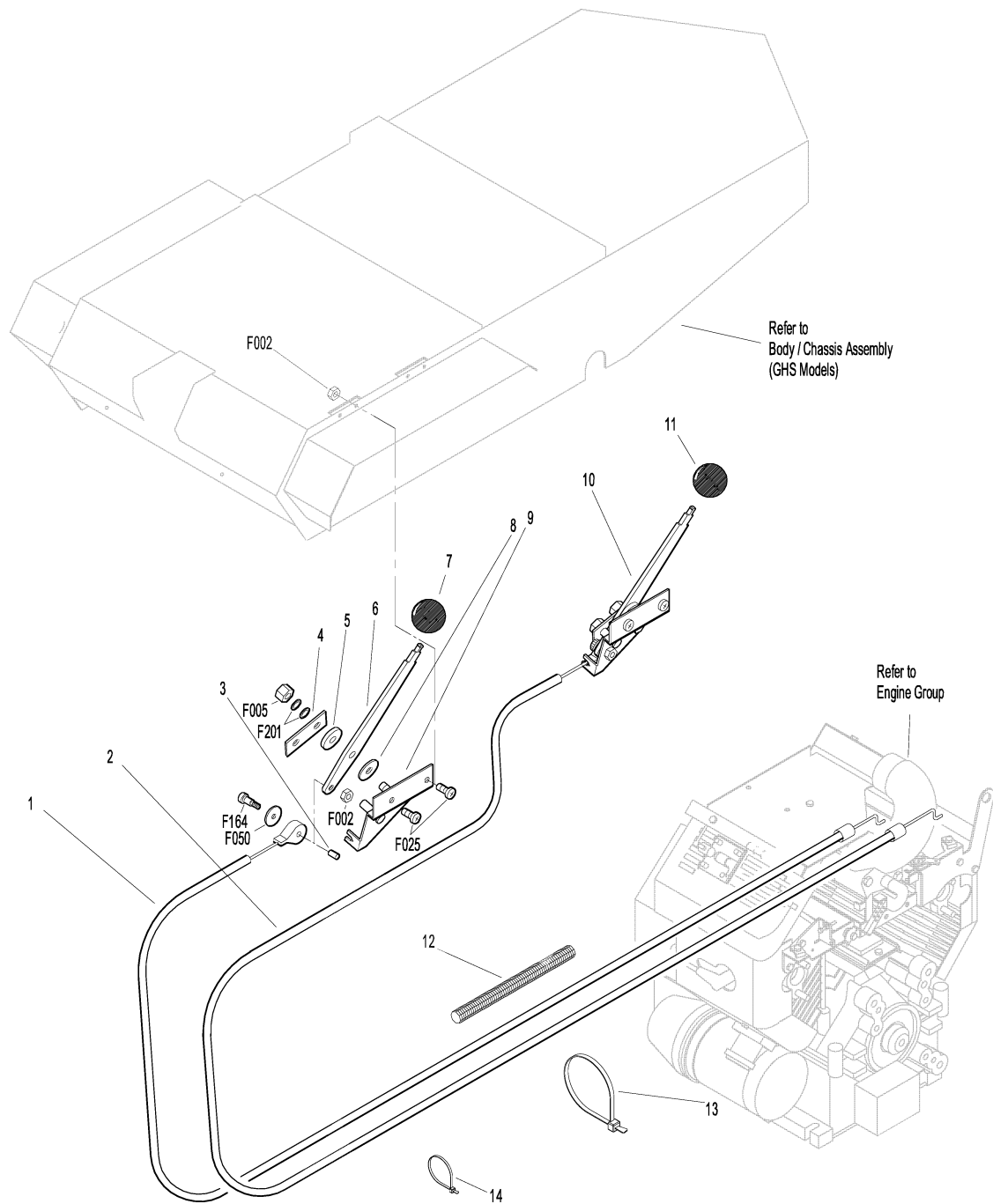
Effective Date 12-01-00

Use only genuine Walker® replacement parts.

# THROTTLE & CHOKE CONTROL ASSEMBLIES

ITEM NO.	PART NO.	DESCRIPTION	NO. REQ'D	ITEM NO.	PART NO.	DESCRIPTION	NO. REQ'D
<b>Throttle &amp; Choke Control Assemblies</b>				11	5108-6	Choke Control Knob, Black	1
1	8121-1	Throttle Cable	1	12	8123	Insulation Sleeve (3/8 x 6)	1
2	8122-1	Choke Cable	1	13	5975-3	Cable Tie (50# x 7")	1
3	5172	Nylon Bearing	2	14	5975-1	Cable Tie (18# x 3-3/4")	1
4	5108-7	Control Lock Tab	2	<b>Fasteners</b>			
5	5108-10	Friction Washer (.125)	2		F002	10-24 Keps Nut	6
6	5108-1	Control Lever, Throttle & Choke	2		F005	1/4-20 ESNA Nut	2
7	5108-5	Throttle Control Knob, Red	1		F025	10-24 x 3/8 PPHMS	4
8	5108-11	Friction Washer (.062)	2		F050	1/4 SAE Washer	2
9	5108-8	Control Bracket	2		F164	10-24-1/4 x 3/8 SHL Bolt	2
10	7108	Control Assembly, Throttle and Choke	2		F201	1/4 Belleville Spring Washer	4
	8121	Complete Throttle Control and Cable Assembly (Includes Item # 7)	*	* Service Part Only			
	8122	Complete Choke Control and Cable Assembly (Includes Item # 11)	*				

# THROTTLE & CHOKE CONTROL ASSEMBLIES

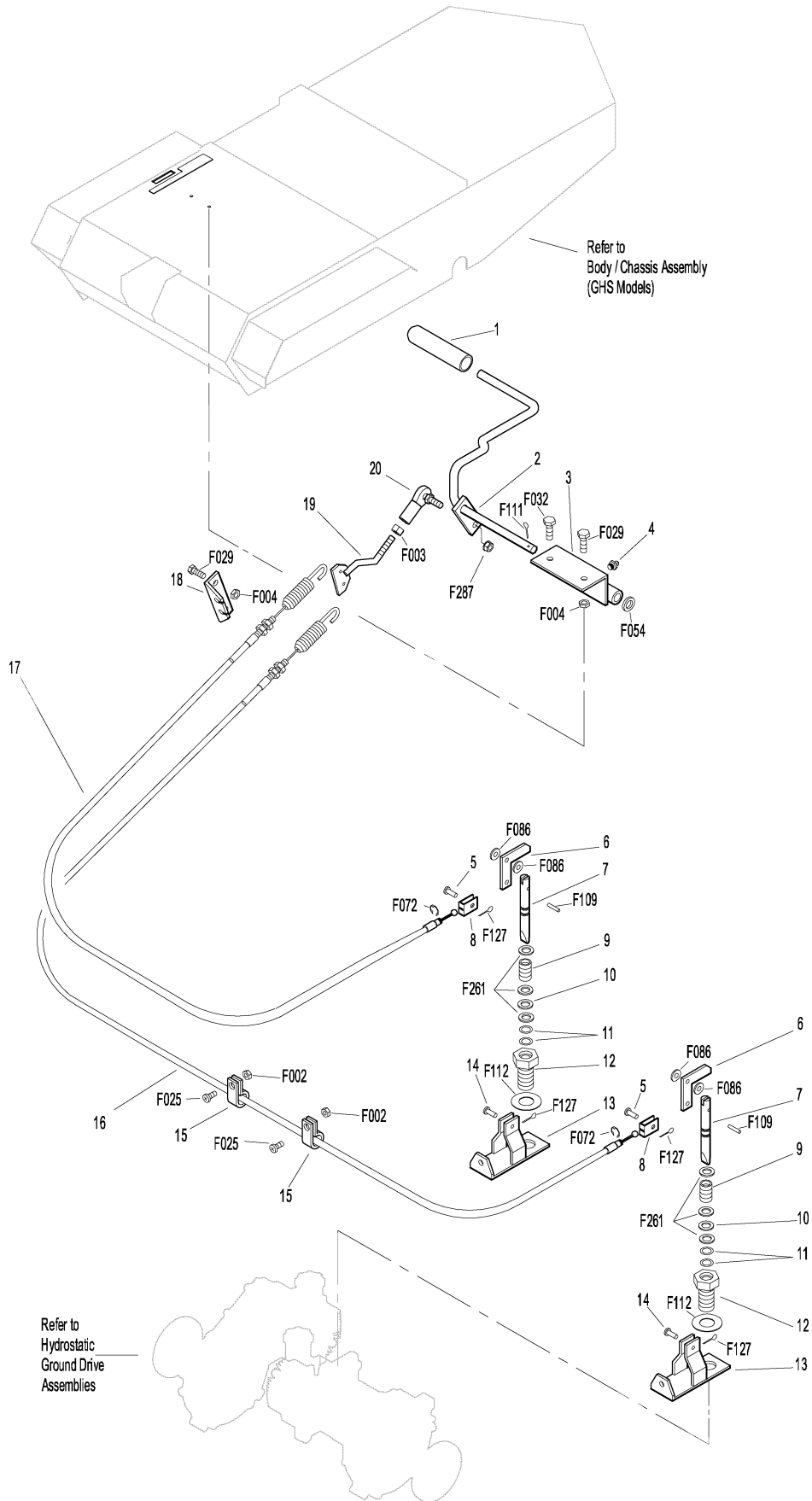


# PARKING BRAKE ASSEMBLY

ITEM NO.	PART NO.	DESCRIPTION	NO. REQ'D	ITEM NO.	PART NO.	DESCRIPTION	NO. REQ'D
<b>Parking Brake Assembly</b>				<b>Fasteners</b>			
1	7406-1	Handle Grip, Red	1	F002		10-24 Keps Nut	2
2	7406-5	Parking Brake Lever	1	F003		1/4-28 Hex Nut	1
3	7406-2	Lever Mount	1	F004		1/4-20 Keps Nut	4
4	5830	Grease Fitting	1	F025		10-24 x 3/8 PPHMS	2
5	7407	Clevis Pin (3/16 x 1/2)	2	F029		1/4-20 x 1/2 Hex Bolt	3
6	7404	Brake Actuator Arm	2	F032		1/4-20 x 3/4 Hex Bolt	1
7	7405	Pin, Transmission Lock	2	F054		AN960616 Washer	1
8	7402	Clevis	2	F072		1/4 "E" Retainer Ring	2
9	7408	Compression Spring (1/2 x 3/4)	2	F086		#10 SAE Washer	4
10	7415	Rubber Dust Shield (5/8 x 3/8 x 1/32)	2	F109		1/8 x 5/8 Roll Pin	2
11	5567-3	O-Ring Seal (1/4 x 3/8)	4	F111		1/8 x 3/4 Cotter Pin	1
12	7403	Plunger Bushing, Gear Axle	2	F112		5/8 x 1-1/4 x .03 Washer	2
13	7404-1	Brake Actuator Mount	2	F127		1/16 x 1/2 Cotter Pin	4
14	7412	Clevis Pin (3/16 x 3/4)	2	F261		AN960616L Washer	6
15	5833	Cable Clamp (1/4)	2	F287		1/4-28 Keps Nut	1
16	7410	Brake Control Cable, LH (27")	1				
17	7409	Brake Control Cable, RH (21")	1				
18	7401-3	Cable Mount Bracket	1				
19	7401-1	Cable Pull Rod	1				
20	5552	Ball Joint (1/4-28)	1				



# PARKING BRAKE ASSEMBLY



# GHS GROUP

ITEM NO.	PART NO.	DESCRIPTION	NO. REQ'D
----------	----------	-------------	-----------

### Delivery Chute Assembly

When Optional 9.5 Bushel Catcher Assembly is purchased, Item # 6 is replaced by P/N 7530 (Body Chute), and Item # 8 is replaced by P/N 8511-1 (Delivery Chute Assembly, 9.5).

1	5515-2	Elbow Delivery Spout Assembly	1
2	5592-13	Backing Plate, Grass-Pak <sup>®</sup> Switch	1
3	5592-12	Mount Plate, Grass-Pak <sup>®</sup> Switch	1
4	5578	Rear Clip, Chute Mount	1
5	5577	Side Clip, Chute Mount	2
6	6530	Body Chute (10")	1
7	5578-10	Front Clip, Chute Mount	1
8	5511-3	Delivery Chute Assembly, (6.7) (Includes Items # 4, 5, 7, F079, F085 & F362)	1

### Blower Belt Tightener Assembly

9	7238	Blower Drive Pulley (4-1/4 / 3V)	1
10	7234	Blower Belt (3VX280)	1
11	7239-2	Blower Pulley (3-3/8 / 3V)	1
12	7201-3	DU Bearing	2
13	5221	Extension Spring (3/4 x 4)	1
14	7364	Blower Belt Tightener Arm	1
15	7201-4	Inner Race (1-1/2)	1
16	5841	Retainer Washer	1
17	7245	Idler Pulley (1/2 Groove)	1

### Blower Assembly

18	5268	Bearing (3/4) Includes Locking Collar	2
19	6543	Housing (10" Blower)	1
	6542	Blower Assembly (10")	*
20	7528	Skid Bar (10" Blower)	1
21	6545	Blower Wheel (10")	1
22	6525-2	Faceplate (10" Blower)	1
23	6526	Intake Tube (6-1/2 x 2-1/2)	1
24	5595-2	Intake Cover	**
25	7833	Cable Clamp (7/8 x 1/4)	1

ITEM NO.	PART NO.	DESCRIPTION	NO. REQ'D
----------	----------	-------------	-----------

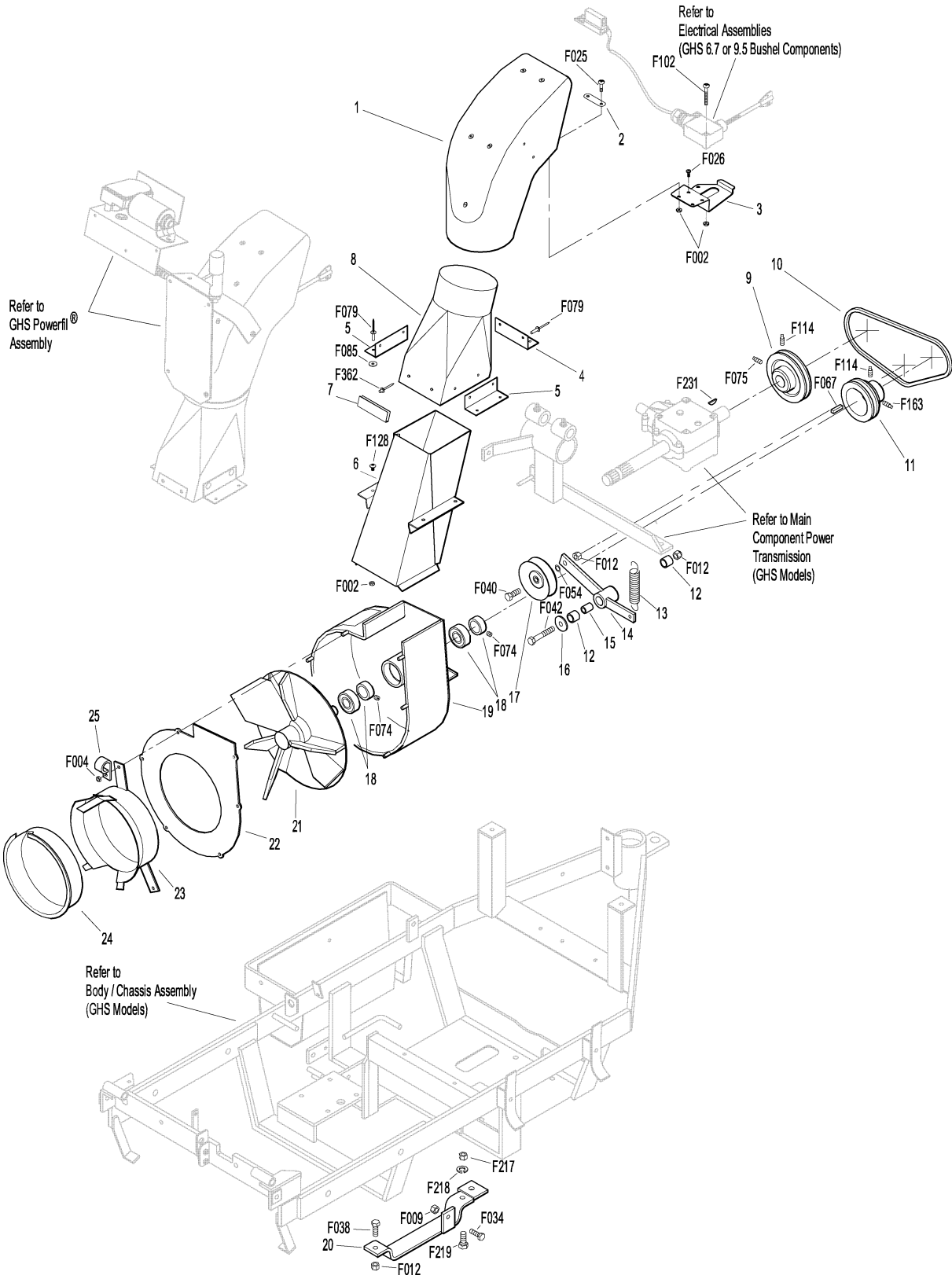
### Fasteners

F002	10-24 Keps Nut	8
F004	1/4-20 Keps Nut	6
F009	5/16-18 Whiz Locknut	1
F012	3/8-16 Keps Nut	3
F025	10-24 x 3/8 PPHMS	2
F026	10-24 x 1/2 PPHMS	2
F034	5/16-18 x 3/4 Hex Bolt	1
F038	3/8-16 x 1 Hex Bolt	1
F040	3/8-16 x 1-1/2 Hex Bolt	1
F042	3/8-16 x 2-1/4 Hex Bolt	1
F054	AN960616 Washer	1
F067	3/16 x 3/16 x 1 Key	1
F074	1/4-20 x 3/8 Set Screw	2
F075	5/16-18 x 1/2 SQH Set Screw	1
F079	A/A66D Aluminum Pop Rivet	12
F085	3/16 Rivet Backup Washer	6
F102	10-24 x 1-1/2 PTHMS	2
F114	5/16-18 x 5/8 SQH Set Screw	2
F128	10-24 x 3/8 PTHMS	4
F163	5/16-18 x 3/4 SQH Set Screw	1
F217	7/16-14 Hex Nut	1
F218	7/16 Split Lock Washer	1
F219	7/16-14 x 1-1/4 Hex Bolt	1
F231	1/4 x 3/4 Woodruff Key (#806)	1
F362	A/A62D Alum. Pop Rivet (3/16D x 13/32L)	2

\* Service Part Only

\*\* Plugs blower when GHS is not in use. Furnished only with Mulching Decks, SD Decks used on a GHS Tractor, Rotary Broom Attachment and Snowblower Attachment.

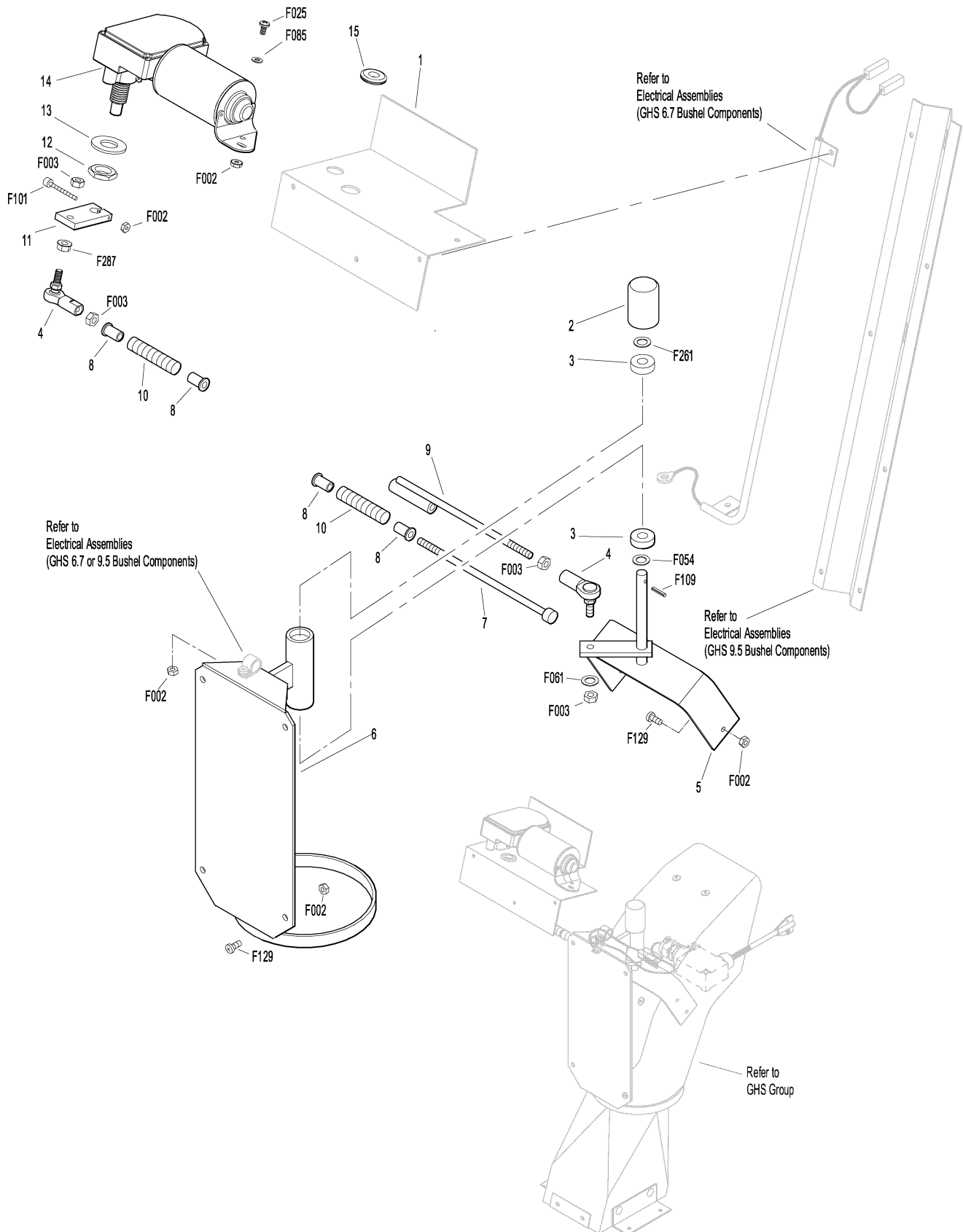
# GHS GROUP



# GHS POWERFIL<sup>®</sup> ASSEMBLY

ITEM NO.	PART NO.	DESCRIPTION	NO. REQ'D	ITEM NO.	PART NO.	DESCRIPTION	NO. REQ'D
<b>GHS Powerfil<sup>®</sup> Assembly</b>				<b>Fasteners</b>			
1	5557	Motor Mount, Powerfil <sup>®</sup>	1	F002		10-24 Keps Nut	9
2	5551-3	Bearing Cap, Powerfil <sup>®</sup>	1	F003		1/4-28 Hex Nut	4
3	5551-1	Pivot Bearing (#S3PP)	2	F025		10-24 x 3/8 PPHMS	1
4	5552	Ball Joint (1/4-28)	2	F054		AN960616 Washer	1
5	5518-2	Pivot, Delivery Spout	1	F061		1/4 Internal Star Lock Washer	1
6	5517-2	Pivot Mount	1	F085		3/16 Rivet Backup Washer	1
7	5558-1	Powerfil <sup>®</sup> Push Rod	1	F101		10-24 x 1-1/4 SHC Screw	1
8	5553-3	Bushing, Powerfil <sup>®</sup> Actuator	4	F109		1/8 x 5/8 Roll Pin	1
9	5558-2	Powerfil <sup>®</sup> Actuator Rod	1	F129		10-24 x 1/2 PTHMS	7
	5549	Actuator Rod Assembly (Includes Items # 4, 7-10 & F003)	*	F261		AN960616L Washer	1
10	5553-1	Spring, Powerfil <sup>®</sup> Actuator	2	F287		1/4-28 Keps Nut	1
11	5554	Actuator Arm	1	* Service Part Only			
12	5519-3	Motor Mount Nut (5/8-24 Panel Nut)	*				
13	5519-2	Motor Mount Washer	*				
14	5519	Actuator Motor (12/24V) (Includes Items # 12 & 13)	1				
15	5977	Grommet (1/2 ID x 7/8 OD x 1/16)	1				

# GHS POWERFIL® ASSEMBLY



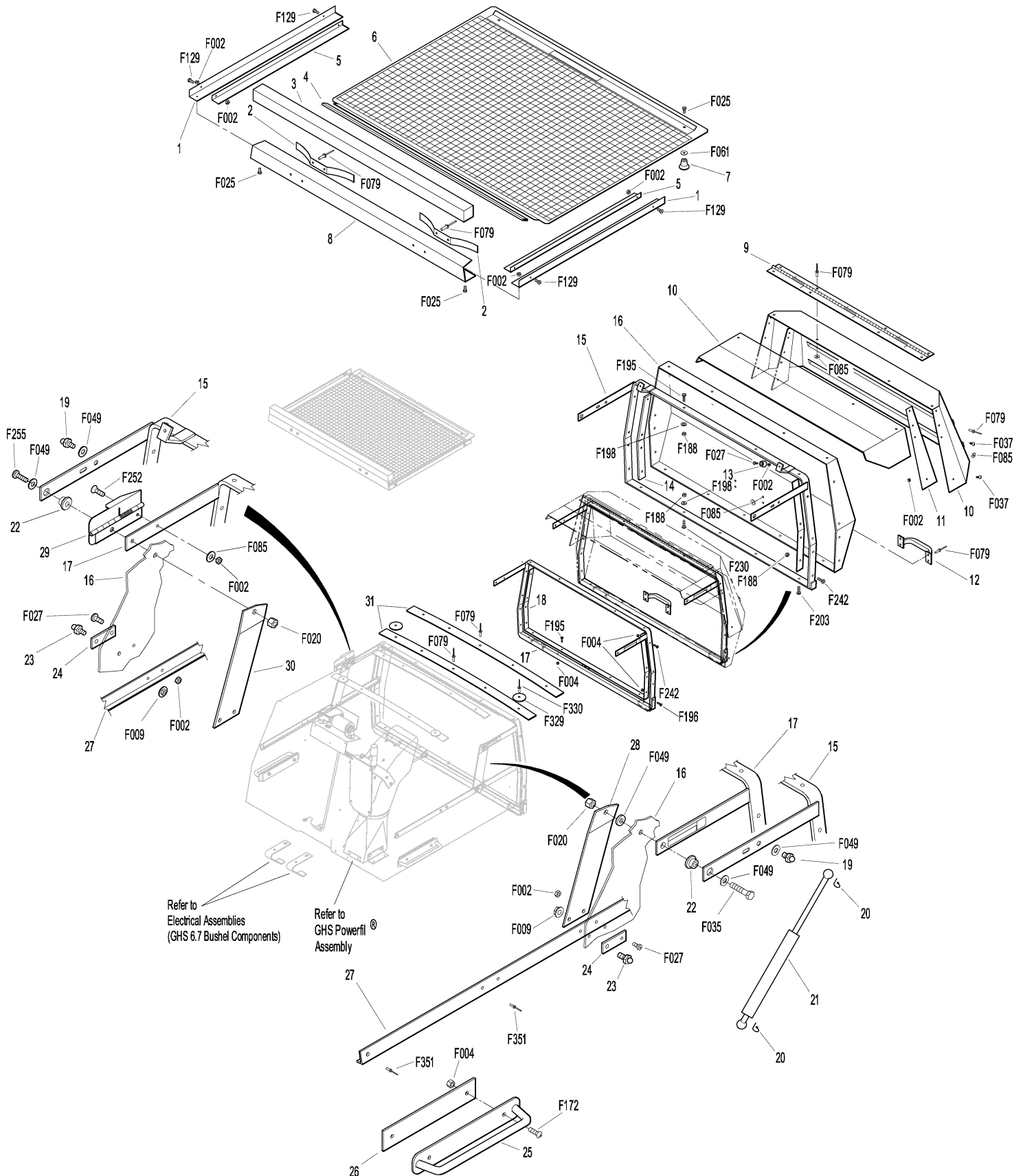
# GHS 6.7 BUSHEL CATCHER & EXHAUST DEFLECTOR ASSEMBLIES

ITEM NO.	PART NO.	DESCRIPTION	NO. REQ'D	ITEM NO.	PART NO.	DESCRIPTION	NO. REQ'D
<b>Upper Baffle Screen Assembly (Removable)</b>				26	7533	Backing Plate, Handle	2
1	7509-3	Channel Bottom	2	27	5155-15	Box Support, Gas Spring	2
2	7505	Mustache Spring	2	28	5522-1	Hinge Backup Plate, LH	1
3	6507	Screen Seal, 6.7 (24")	1	29	6508	Safety Latch Hinge	1
4	6856-1	Edge Molding, 6.7 (21-3/4)	1	30	5522-2	Hinge Backup Plate, RH	1
5	7509-2	Channel Top	2	31	5584	Reinforcing Strap, Catcher Top	1
6	6512-2	Removable Screen (6.7)	1	<b>5598 Optional Dump Bag (Not Shown)</b>			
7	7506	Knob	2	May be ordered as an option. Contact your Walker dealer.			
8	6509-4	C-Channel (6.7)	1	<b>Fasteners</b>			
<b>Exhaust Deflector Assembly</b>					F002	10-24 Keps Nut	15
	5504	Exhaust Deflector Kit, 6.7	*	F004	1/4-20 Keps Nut		16
9	5504-3	Hinge, Exhaust Deflector	1	F009	5/16-18 Whiz Locknut		2
10	5504-1	Exhaust Deflector (Two Piece Set)	1	F020	5/16-18 ESNA Nut		2
11	5504-8	Deflector Mount Doubler	2	F025	10-24 x 3/8 PPHMS		4
<b>GHS 6.7 Bushel Catcher Assembly</b>				F027	10-24 x 5/8 PPHMS		4
12	5583	Handle	1	F035	5/16-18 x 1-1/4 Hex Bolt		1
13	5588	Rubber Bumper (.75 OD x .50)	2	F037	10-24 x 5/8 PTH Screw		4
14	5130	Side Strap, Door (6.7)	2	F049	5/16 SAE Washer		4
15	5514-10	Door Frame, Catcher (6.7)	1	F061	1/4 Internal Star Lock Washer		2
16	5510-1	6.7 Bushel Catcher, Including Door	1	F079	A/A66D Aluminum Pop Rivet		27
	5502-1	6.7 Catcher, Without Powerfil® (Includes Door)	**	F085	3/16 Rivet Backup Washer		13
	5502-2	6.7 Catcher Assembly (Includes Powerfil®)	**	F129	10-24 x 1/2 PTHMS		4
	5502-3	6.7 Catcher Assembly and Bumper Mount (Includes Bumper & Powerfil®)	**	F172	1/4-20 x 3/4 Carriage Bolt		4
17	5503-2	Mounting Frame, Catcher (6.7)	1	F188	1/4-20 Self Locking Nut		17
18	5513-1	Mounting Frame Doubler (6.7)	1	F195	1/4-20 x 3/4 PPHMS SS		8
19	5155-12	5/16 Ball Stud	2	F196	1/4-20 x 1 PPHMS SS		2
20	5147	Spring Clip, Gas Spring	4	F198	.625 x .250 x .040 Washer, SS		9
21	5155-10	Catcher Gas Spring Assembly (Includes Items # 19, 20 & 23)	2	F203	1/4-20 x 5/8 PPHMS SS		4
22	5524-1	Flanged Hinge Bearing	2	F230	1/4-20 x 1-1/4 PPHMS SS		1
23	5155-13	3/4 Ball Stud	2	F242	1/4-20 x 7/8 PPHMS SS		14
24	5523-6	Gas Spring Plate	2	F252	10-24 x 3/4 PPHMS		1
25	7532	Handle, Catcher Lift	2	F255	5/16-18 x 1-1/2 Hex Bolt		1
	7534	Catcher Handle Kit (Includes Items # 25, 26, F004 & F172)	*	F329	.260 ID x 1.939 OD Washer		2
				F330	3/16 D x 21/32 L Rivet, SS		2
				F351	Aluminum Pop Rivet		6
				* This kit is sold as a complete assembly, including mounting hardware.			
				** Service Part Only			

Use only genuine Walker® replacement parts.

Effective Date 12-01-00

# GHS 6.7 BUSHEL CATCHER & EXHAUST DEFLECTOR ASSEMBLIES



Effective Date 12-01-00

Use only genuine Walker® replacement parts.

# GHS 9.5 BUSHEL CATCHER & EXHAUST DEFLECTOR ASSEMBLIES

ITEM NO.	PART NO.	DESCRIPTION	NO. REQ'D	ITEM NO.	PART NO.	DESCRIPTION	NO. REQ'D
<b>Upper Baffle Screen Assembly (Removable)</b>				27	7532	Handle, Catcher Lift	2
1	7509-3	Channel Bottom	2		7534	Catcher Handle Kit (Includes Items # 26, 27, F004 & F172)	*
2	7505	Mustache Spring	2	28	5155-15	Box Support, Gas Spring	2
3	7507	7.0 / 9.5 Screen Seal, (27-1/2)	1	29	5522-1	Hinge Backup Plate, LH	1
4	7856-1	7.0 / 9.5 Edge Molding, (26")	1	30	7503-9	Pivot Bushing	2
5	7509-2	Channel Top		31	7508	7.0 / 9.5 Safety Latch Hinge	1
6	7512-2	7.0 / 9.5 Removable Screen	1	32	5522-2	Hinge Backup Plate, RH	2
7	7506	Knob		33	7584	Reinforcing Strap, Catcher Top	2
8	7509-4	7.0 / 9.5 C-Channel	1	<b>5598 Optional Dump Bag (Not Shown)</b>			
<b>Exhaust Deflector Assembly</b>				May be ordered as an option. Contact your Walker dealer.			
	7504	Exhaust Deflector Kit, 7.0 / 9.5	*	<b>Fasteners</b>			
9	7504-3	Hinge, Exhaust Deflector	1	F002	10-24 Keps Nut		15
10	7504-1	Exhaust Deflector (Two Piece Set)	1	F004	1/4-20 Keps Nut		19
11	7504-8	Deflector Mount Doubler	2	F009	5/16-18 Whiz Locknut		2
<b>GHS 9.5 Bushel Catcher Assembly**</b>				F020	5/16-18 ESNA Nut		2
12	5583	Handle	1	F025	10-24 x 3/8 PPHMS		4
13	8516	Backup Plate, Door Sides	2	F027	10-24 x 5/8 PPHMS		4
14	5588	Rubber Bumper (.75 OD x .50)	2	F035	5/16-18 x 1-1/4 Hex Bolt		1
15	7514-1	Backup Plate, Catcher Door	1	F037	10-24 x 5/8 PTH Screw		4
16	8514-11	Door Frame, Catcher (9.5) (Begin S/N 49198)	1	F049	5/16 SAE Washer		4
17	8510-1	9.5 Bushel Catcher, Including Door	1	F061	1/4 Internal Star Lock Washer		2
	8502-1	9.5 Catcher Assembly, Without Powerfil® (Includes Door)	***	F079	A/A66D Aluminum Pop Rivet		33
	8502-2	9.5 Catcher Assembly (Includes Powerfil®)	***	F085	3/16 Rivet Backup Washer		16
	8502-4	9.5 Catcher Assembly (Includes Frame & Powerfil®)	***	F129	10-24 x 1/2 PTHMS		4
18	8513-3	Mount Frame Doubler (9.5) (Begin S/N 49198)	1	F172	1/4-20 x 3/4 Carriage Bolt		4
19	8503-2	Mounting Frame (9.5) (Begin S/N 49198)	1	F188	1/4-20 Self Locking Nut		20
20	5155-12	5/16 Ball Stud	2	F195	1/4-20 x 3/4 PPHMS SS		8
21	5147	Spring Clip, Gas Spring	4	F196	1/4-20 x 1 PPHMS SS		3
22	5155-10	Catcher Gas Spring Assembly (Includes Items # 20, 21 & 24)	2	F198	.625 x .250 x .040 Washer, SS		5
23	5524-1	Flanged Hinge Bearing	2	F230	1/4-20 x 1-1/4 PPHMS SS		1
24	5155-13	3/4 Ball Stud	2	F242	1/4-20 x 7/8 PPHMS SS		23
25	5523-6	Gas Spring Plate	2	F252	10-24 x 3/4 PPHMS		1
26	7533	Backing Plate, Handle	2	F255	5/16-18 x 1-1/2 Hex Bolt		1
				F329	.260 ID x 1.939 OD Washer		2
				F330	3/16 D x 21/32 L Rivet, SS		2
				F351	Aluminum Pop Rivet		6
				* This kit is sold as a complete assembly, including mounting hardware.			
				** May be ordered as a factory-installed option. Contact your Walker dealer.			
				*** Service Part Only			

Use only genuine Walker® replacement parts.

Effective Date 12-01-00





# ELECTRICAL ASSEMBLIES (CHASSIS COMPONENTS)

ITEM NO.	PART NO.	DESCRIPTION	NO. REQ'D	ITEM NO.	PART NO.	DESCRIPTION	NO. REQ'D
<b>Battery Assembly</b>				<b>Fasteners</b>			
1	5932	Battery Terminal Insul., Black (-)	1	F002		10-24 Keps Nut	9
2	5975-1	Cable Tie (18# x 3-3/4")	2	F004		1/4-20 Keps Nut	5
3	5933	Battery Terminal Insul., Red (+)	1	F009		5/16-18 Whiz Locknut	1
4	5910	Battery (12V U1-SP30, Dry)	1	F019		1/4-20 ESNA Wing Nut	2
5	5844	Battery Hold-Down Bar	1	F026		10-24 x 1/2 PPHMS	3
6	6392	Battery Protector Plate	1	F027		10-24 x 5/8 PPHMS	4
7	5839	Hook Bolt	2	F031		1/4-20 x 5/8 Hex Bolt	2
8	6390	Battery Pan	1	F032		1/4-20 x 3/4 Hex Bolt	3
9	6923	Negative Battery Cable	1	F050		1/4 SAE Washer	5
10	8943	Positive Battery Lead Wire	1	F093		5/16-18 x 1 Hex Bolt	1
				F129		10-24 x 1/2 PTHMS	1
<b>Harness Assembly</b>				<b>NOTE:</b> Refer to <b>ELECTRICAL CONNECTORS</b> , Page 40 for identification of all Electrical Wiring Service Parts.			
11	8941	Circuit Breaker (30 Amp) with Reset	1				
12	7672	Mount Bracket	1				
13	7948-1	Time Delay Module	1				
14	6941	Relay Switch (30/40 Amp)	1				
15	7948-5	Time Delay Harness	1				
16	5975-3	Cable Tie (50# x 7")	6				
17	5942-5	Safety Switch	2				
18	6940-4	Wire Harness	1				



# ELECTRICAL ASSEMBLIES (BODY COMPONENTS)

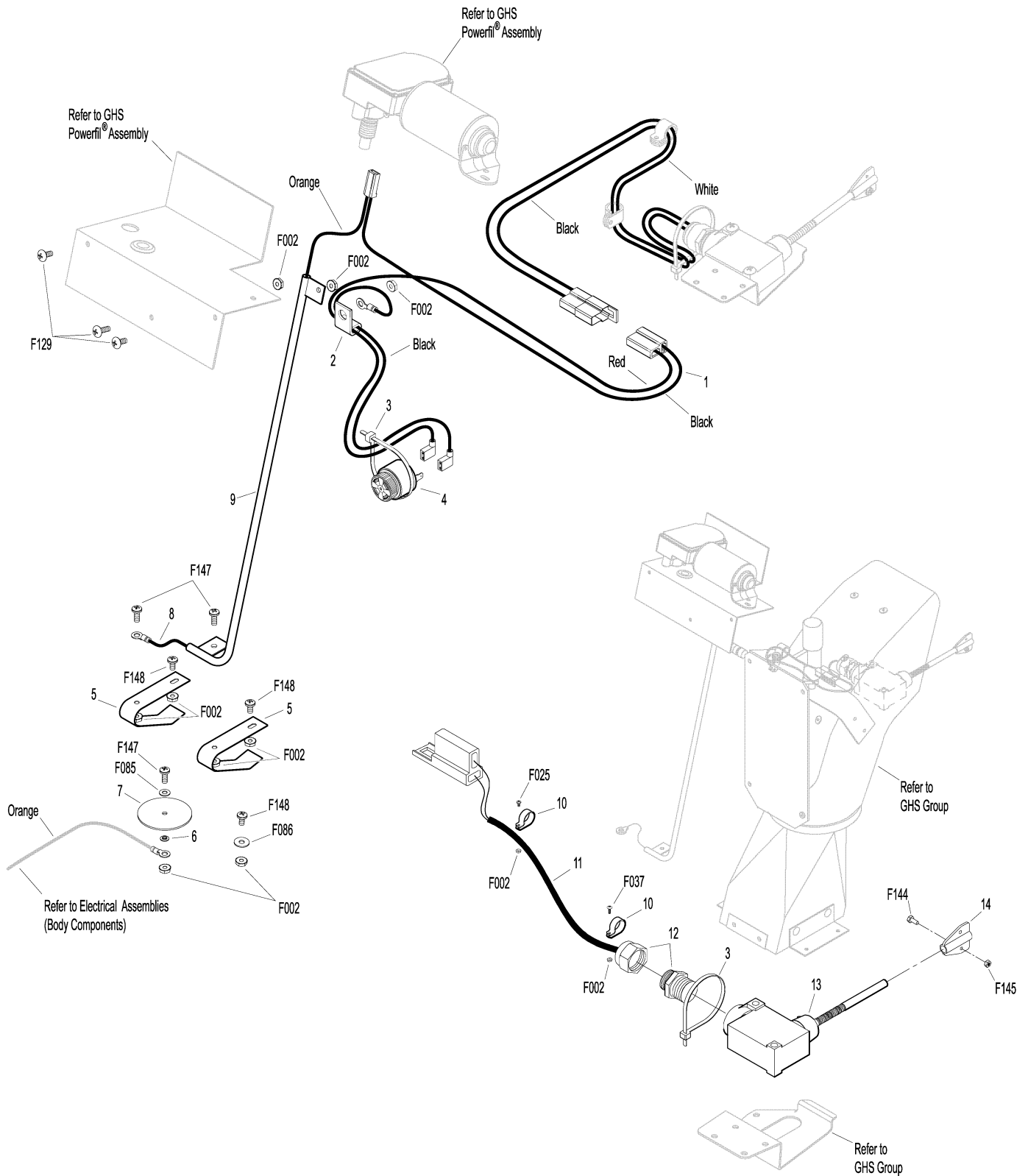
ITEM NO.	PART NO.	DESCRIPTION	NO. REQ'D	ITEM NO.	PART NO.	DESCRIPTION	NO. REQ'D
<b>Electrical Assemblies (Body Components)</b>				<b>Fasteners</b>			
1	8960-2	Ignition Key (1 Set)	1		F002	10-24 Keps Nut	4
2	8960-21	Ignition Switch (with Keys) (Includes Items # 1, 20 & F349)	1		F025	10-24 x 3/8 PPHMS	3
3	5940-3	Ignition Switch Cover	1		F026	10-24 x 1/2 PPHMS	1
4	5975-3	Cable Tie (50# x 7")	3		F349	Washer .835 ID 1.122 OD, SS	1
5	5983	Power Lead Wire, Body	1	* Service Part Only			
6	5975-5	Wire Clip, Self-Mount	1	<b>NOTE:</b> Refer to <b>ELECTRICAL CONNECTORS</b> , Page 40 for identification of all Electrical Wiring Service Parts.			
7	5941-5	Safety Switch	1				
8	7203-6	Riser Plate	1				
9	5977-6	Grommet	1				
10	6940-10	Jumper Wire	1				
11	8996-4	Red Indicator Lens (Includes Item # 12)	1				
12	8996-3	Indicator Bulb (Replacement for P/N 8996)	*				
13	8996	Oil Pressure Light Assembly (Includes Items # 11 & 12)	1				
14	5991-1	Hourmeter Power Lead Wire	1				
15	8990	Hourmeter	1				
16	5991-2	Hourmeter Ground Wire	1				
17	6941	Relay Switch (30/40 Amp)	2				
18	7941-1	Circuit Breaker (5 Amp) (Includes Item # 19)	1				
19	7941-3	Boot, Circuit Breaker	1				
20	7854	Key Tip Protector	1				



# ELECTRICAL ASSEMBLIES (GHS 6.7 BUSHEL COMPONENTS)

ITEM NO.	PART NO.	DESCRIPTION	NO. REQ'D	ITEM NO.	PART NO.	DESCRIPTION	NO. REQ'D
<b>Horn &amp; Powerfil® Wiring Assemblies</b>				<b>Fasteners</b>			
1	5599	Pigtail Wire Set, Horn	1	F002		10-24 Keps Nut	11
2	5857	Wire Clamp (1/8 J-Clip)	1	F025		10-24 x 3/8 PPHMS	1
3	5975-3	Cable Tie (50# x 7")	2	F037		10-24 x 5/8 PTH Screw	1
4	5536-2	Horn, Full Signal	*	F085		3/16 Rivet Backup Washer	1
5	5984	Electric Contact Spring	2	F086		#10 SAE Washer	1
6	5982-2	Insulator Bushing, Plastic	1	F129		10-24 x 1/2 PTHMS	3
7	5982-1	Insulator Washer, Plastic (2")	1	F144		4-40 x 1/4 PPHMS	1
8	5985-2	Power Lead Wire, Catcher	1	F145		4-40 Keps Nut	1
9	5988-1	Conduit Assembly, Powerfil® Wiring	1	F147		10-24 x 1/2 PPHMS SS	3
	5988-4	Powerfil® Tube & Wire Assembly (Includes Item # 8)	*	F148		10-24 x 3/8 PPHMS SS	3
<b>Grass-Pak® Switch Assembly</b>				* Service Part Only			
10	5833	Cable Clamp (1/4)	2	<b>NOTE:</b> Refer to <b>ELECTRICAL CONNECTORS</b> , Page 40 for identification of all Electrical Wiring Service Parts.			
11	5980-3	Wire, Grass-Pak® Switch	1				
12	5592-11	Liquid Tight Plug	1				
13	5592-10	Grass-Pak® Switch Module	1				
	5592-4	Grass-Pak® Switch Assembly (Includes Items # 3 & 10-14)	*				
14	5594-5	Vane Assembly, Grass-Pak® Switch (Includes Items # F144 & F145)	1				

# ELECTRICAL ASSEMBLIES (GHS 6.7 BUSHEL COMPONENTS)

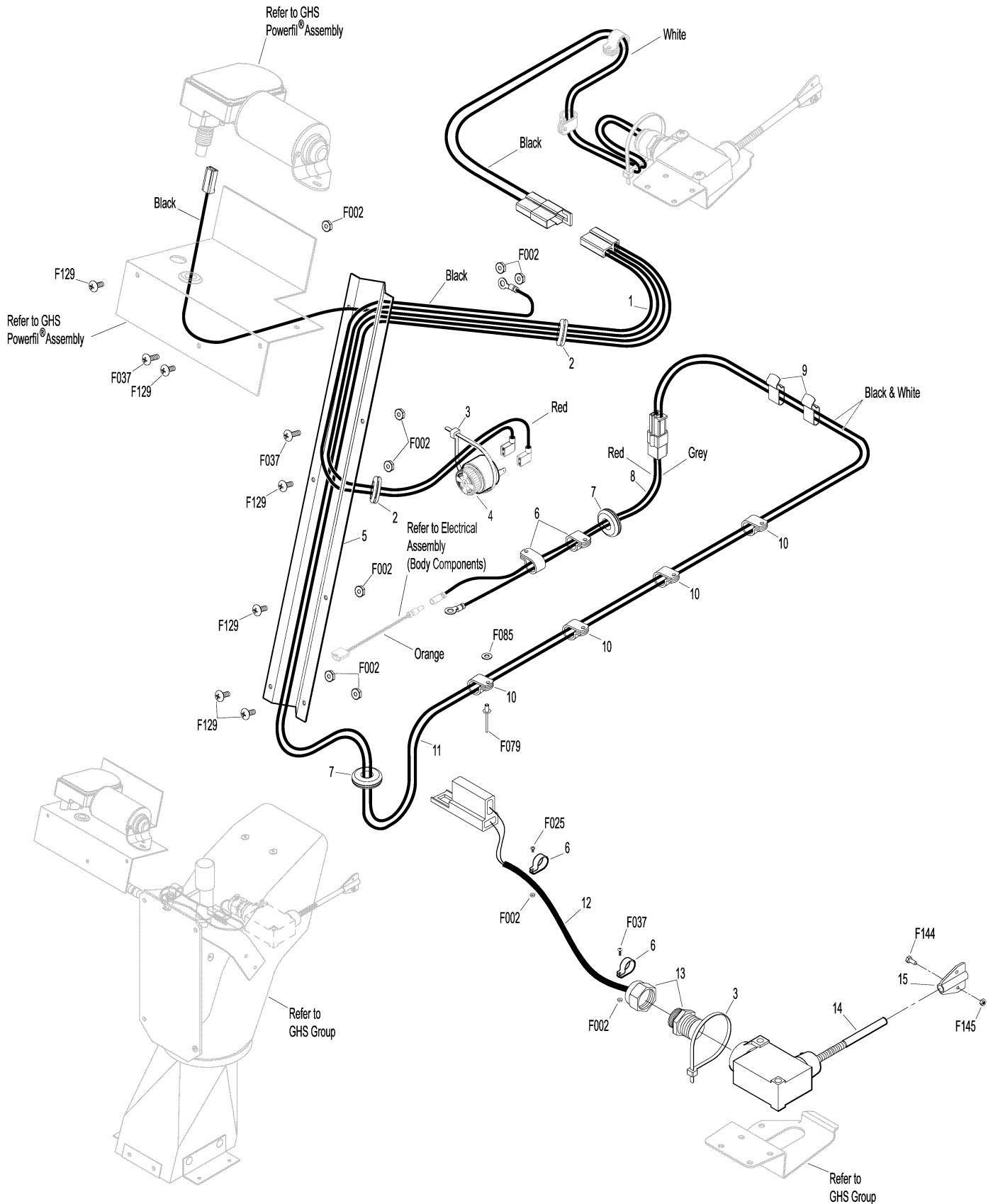


# ELECTRICAL ASSEMBLIES (GHS 9.5 BUSHEL COMPONENTS)

ITEM NO.	PART NO.	DESCRIPTION	NO. REQ'D	ITEM NO.	PART NO.	DESCRIPTION	NO. REQ'D
<b>Horn &amp; Harness Channel Assemblies</b>				<b>Fasteners</b>			
1	5599	Pigtail Wire Set, Horn	1	F002		10-24 Keps Nut	10
2	5976	Grommet (3/8 ID x 11/16 OD)	2	F025		10-24 x 3/8 PPHMS	1
3	5975-3	Cable Tie (50# x 7")	2	F037		10-24 x 5/8 PTH Screw	3
4	5536-2	Horn, Full Signal	*	F079		A/A66D Aluminum Pop Rivet	4
5	8117	9.5 Wire Harness Channel	1	F085		3/16 Rivet Backup Washer	4
<b>Harness &amp; Grass-Pak® Switch Assemblies</b>				F129		10-24 x 1/2 PTHMS	6
6	5833	Cable Clamp (1/4)	4	F144		4-40 x 1/4 PPHMS	1
7	5977-2	Grommet, Cut (1/8 x 3/8)	2	F145		4-40 Keps Nut	1
8	8950-1	Extension Wire 9.5 Catcher	1	* Service Part Only			
9	7835	Frame Clip	2	<b>NOTE:</b> Refer to <b>ELECTRICAL CONNECTORS</b> , Page 40 for identification of all Electrical Wiring Service Parts.			
10	7834	Nylon Clamp	4				
11	8950	Wire Harness, 9.5 Catcher	1				
12	5980-3	Wire, Grass-Pak® Switch	1				
13	5592-11	Liquid Tight Plug	1				
14	5592-10	Grass-Pak® Switch Module	1				
	5592-4	Grass-Pak® Switch Assembly (Includes Items # 3, 6 & 12-15)	*				
15	5594-5	Vane Assembly, Grass-Pak® Switch (Includes Items # F144 & F145)	1				



# ELECTRICAL ASSEMBLIES (GHS 9.5 BUSHEL COMPONENTS)



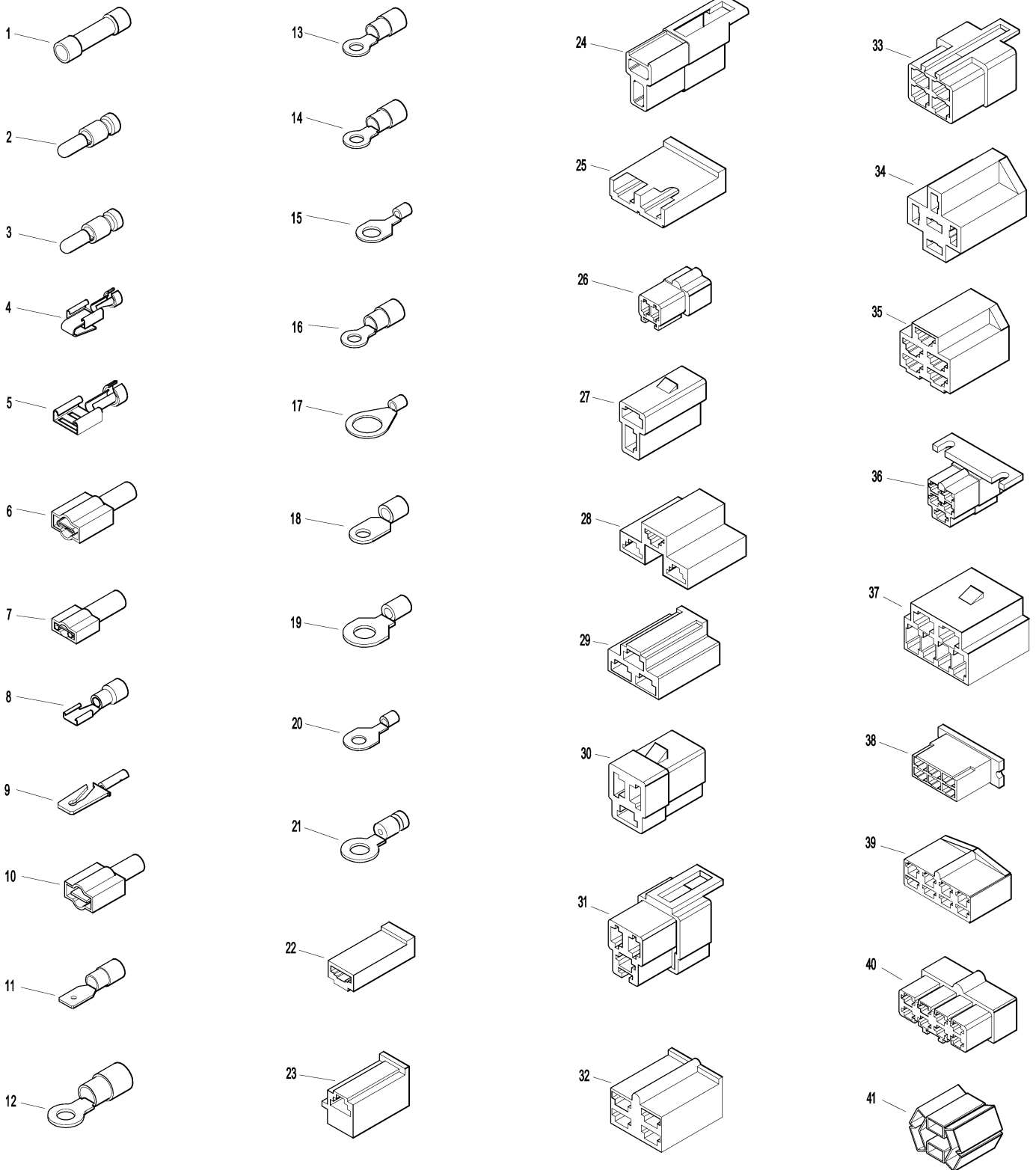
Effective Date 12-01-00

Use only genuine **Walker**® replacement parts.

# ELECTRICAL CONNECTORS

ITEM NO.	PART NO.	DESCRIPTION	NO. REQ'D	ITEM NO.	PART NO.	DESCRIPTION	NO. REQ'D
<b>Electrical Wiring Service Parts</b>				25	7942-2	2-Way Connector, Male	*
1	5996-1	16-14 GA Butt Conn.	*	26	7942-3	2-Way Connector, Female	*
2	5996-4	16-14 GA Bullet Conn., Male	*	27	7942-10	2-Way Locking Connector, Male	*
3	5996-5	16-14 GA Bullet Conn., Female	*	28	5940-8	3-Way Connector, Male	*
4	5940-4	16-14 GA Spg. Loaded Term., Female	*	29	7942-9	3-Way Connector, Male	*
5	5940-7	Brass Wire Clip, Female	*	30	8944	3-Way Locking Connector, Male	*
6	5996	1/4 x 16-14 GA QKS Term., Female	*	31	8944-1	3-Way Locking Connector, Female	*
7	5996-2	3/16 x 22-18 GA QKS Term., Female	*	32	7942-11	4-Way Connector, Male	*
8	7996	16-14 GA QKS Term., .187 (Female)	*	33	7942-12	4-Way Connector, Female	*
9	5940-5	16-14 GA Spg. Loaded Term., Male	*	34	7942-5	5-Way Connector, Male	*
10	5996-0	1/4 x 22-18 GA QKS Term., Male	*	35	5940-2	5-Way Connector, Male	*
11	7996-1	1/4 x 16-14 GA QKS Term., Male	*	36	8942-1	5-Way Connector, Female	*
12	5996-8	6 GA Ring Lug (5/16)	*	37	7942-6	6-Way Connector, Male	*
13	5996-9	22-18 GA Ring Term., #10	*	38	7942-7	6-Way Connector, Male	*
14	5996-10	16-14 GA Ring Term. (5/16)	*	39	7942-8	8-Way Connector, Male	*
15	5996-12	12-10 GA Ring Term. (5/16)	*	40	8942-2	8-Way Connector, Female	*
16	5996-13	16-14 GA Ring Term., #10	*	41	8942-3	5-Way Connector, Male	*
17	5996-15	12-10 GA Ring Term. (1/2)	*	* Service Part Only			
18	5996-16	6 GA Ring Terminal (1/4)	*	<b>NOTE:</b> Not all Electrical Connectors are used with all assemblies.			
19	5996-17	16-14 GA Ring Term. (1/4)	*	<b>NOTE:</b> Refer to <b>ELECTRICAL ASSEMBLIES</b> , Pages 32-39 for locations of Wiring Harness, Electrical Components and of all Electrical Wiring Service Parts.			
20	5996-20	12-10 GA Ring Term. (1/4)	*				
21	5996-21	12-10 GA Ring Term., #10	*				
22	7942-4	Single Connector, Male	*				
23	8942	2-Way Connector, Male	*				
24	7942-1	2-Way Locking Connector, Female	*				

# ELECTRICAL CONNECTORS



# ARMREST KIT / TOUCH-UP PAINT

ITEM NO.	PART NO.	DESCRIPTION	NO. REQ'D
----------	----------	-------------	-----------

**Kit 5885 Armrest Option / Kit**

Includes Items # 1-5, fasteners listed and instructions. May be ordered as a factory-installed option or as a kit for dealer installation. Contact your Walker dealer.

1	5886-1	Armrest, RH	1
2	5886-3	Cover Plate, RH	1
3	5887	Mounting Bracket	1
4	5886-4	Cover Plate, LH	1
5	5886-2	Armrest, LH	1
	5888	Armrest Hardware Kit (Includes Items # F305, F306, F307 & F308)	*

ITEM NO.	PART NO.	DESCRIPTION	NO. REQ'D
----------	----------	-------------	-----------

**Touch-Up Paint**

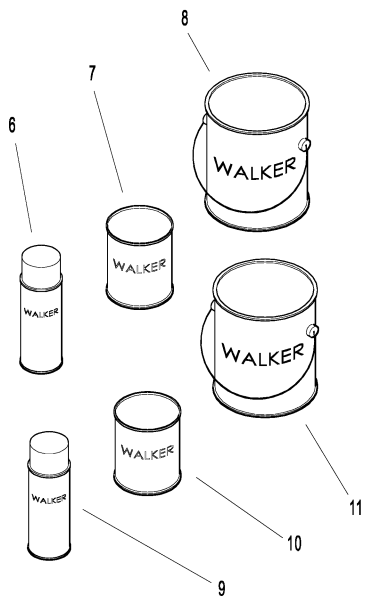
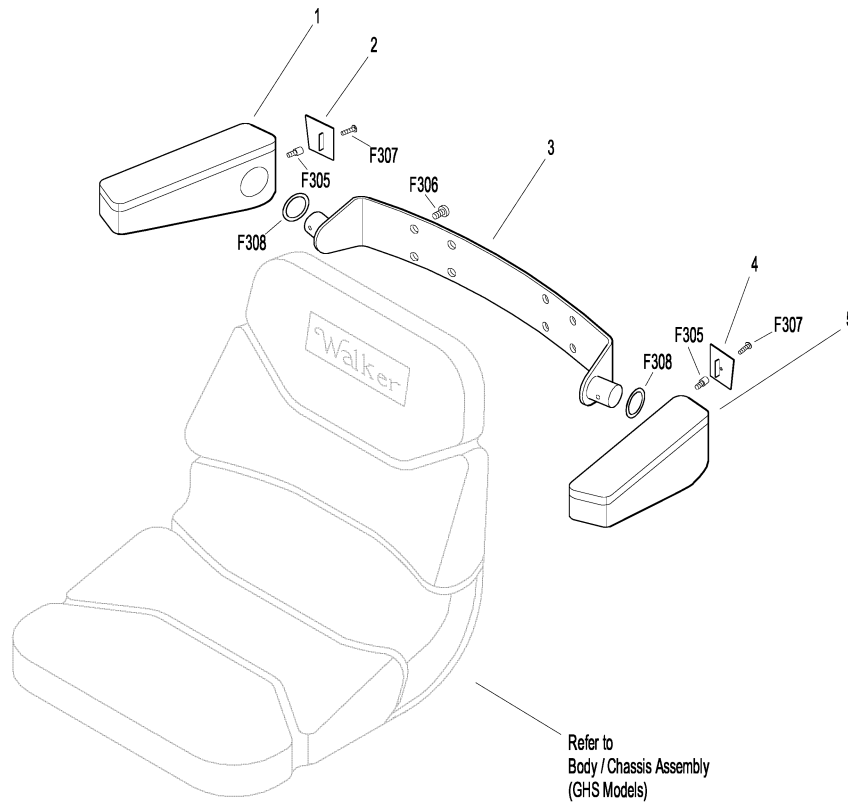
6	5866	Touch-Up Paint, Yellow (12 oz. Aerosol)	
7	5871	Touch-Up Paint, Yellow (1 qt.)	
8	5871-1	Touch-Up Paint, Yellow (1 gal.)	
9	5867	Touch-Up Paint, Grey (12 oz. Aerosol)	
10	5873	Touch-Up Paint, Grey (1 qt.)	
11	5873-1	Touch-Up Paint, Grey (1 gal.)	

**Fasteners**

F305	1/4-20 x 3/8 SH Cap Screw	2
F306	3/8-16 x 3/4 Hex Bolt	4
F307	#10 x 5/8 PPHST Screw	2
F308	1-1/4 x 1-5/8 Wave Spring Washer	2

\* Service Part Only

# ARMREST KIT / TOUCH-UP PAINT



## COMFORT SEAT / ARMREST KIT

ITEM NO.	PART NO.	DESCRIPTION	NO. REQ'D
----------	----------	-------------	-----------

**Kit 6103-5 Comfort Seat Option / Kit (Grey)**

Includes Items # 1, 6, fasteners listed (except as indicated; refer to **NOTE**) and instructions. May be ordered as a factory-installed option or as a kit for dealer installation. Contact your Walker dealer.

1	6103-5	Comfort Seat	1
2	7203	Seat Spring Plate	1
3	7223	Compression Spring (1/2 x 1)	2
4	7845	Rubber Bumper (1.375 OD x .63)	2
5	7846	Rubber Washer (3/8 ID x 1-1/4 OD x 1/8)	2
6	7203-6	Riser Plate	*
7	7204	Shoulder Bolt, Seat Mount	2
8	7440-5	Shock Mount (1.25 D x .75)	2

ITEM NO.	PART NO.	DESCRIPTION	NO. REQ'D
----------	----------	-------------	-----------

**Kit 6103-15 Armrest Option / Kit**

Includes Items # 9, 10 and instructions. Item # 9 is the **Right** side armrest only. Item # 10 is the **Left** side armrest only. Sold only as a complete set and may be ordered together as a factory-installed option or as a kit for dealer installation. Contact your Walker dealer.

9	NS	Armrest, Right Side	1
10	NS	Armrest, Left Side	1

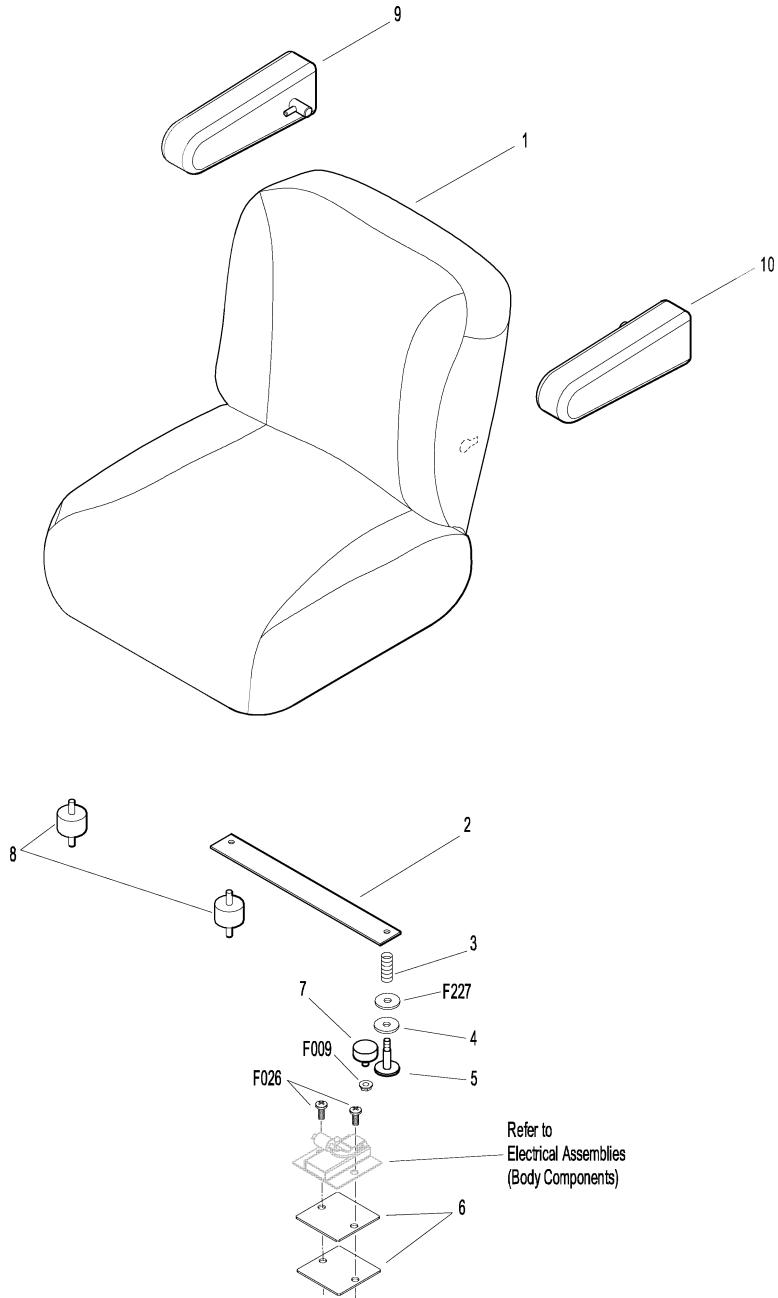
**Fasteners**

F009	5/16 - 18 Whiz Locknut	2
F026	10-24 x 1/2 PPHMS	2
F227	3/8-1-1/4 x 1/8 Plastic Washer	2

\* Only one Riser Plate is included with kit. One is reused from Seat Switch. Refer to **ELECTRICAL ASSEMBLIES (BODY COMPONENTS)**, Page 34.

**NOTE:** Reuse Items # 3-8, F009 and F227 from Seat Assembly. Refer to **BODY / CHASSIS ASSEMBLY (GHS MODELS)**, Page 4.

# COMFORT SEAT / ARMREST KIT



# SUSPENSION SEAT KIT

ITEM NO.	PART NO.	DESCRIPTION	NO. REQ'D
----------	----------	-------------	-----------

**Kit 6103-25 Suspension Seat Option / Kit**

Includes Items # 1-3, 5-7, 11, 14, fasteners listed (except as indicated; refer to **NOTE**) and instructions. May be ordered as a factory-installed option or as a kit for dealer installation. Contact your Walker dealer.

1	6103-11	Suspension Seat	1
2	5941-5	Safety Switch (Normal Open)	*
3	6103-33	Seat Mount Plate, LH	1
4	7223	Compression Spring	2
5	5975-3	Cable Tie (50# x 7")	2
6	5975-1	Cable Tie (18# x 3-3/4")	1
7	6103-23	Wire Harness, S/C/T Suspension Seat	1
8	7846	Rubber Washer 3/8 x 1-1/4 x 1/8	2
9	7204	Shoulder Bolt, Seat Mount	2
10	5977-6	Grommet (1 x 1-1/4)	2
11	5841	Retainer Washer	2
12	7845	Rubber Bumper (1.375 x 0.63)	2
13	7440-5	Shock Mount (1.25 x 0.75)	2
14	6103-34	Seat Mount Plate, RH	1

ITEM NO.	PART NO.	DESCRIPTION	NO. REQ'D
----------	----------	-------------	-----------

**Fasteners**

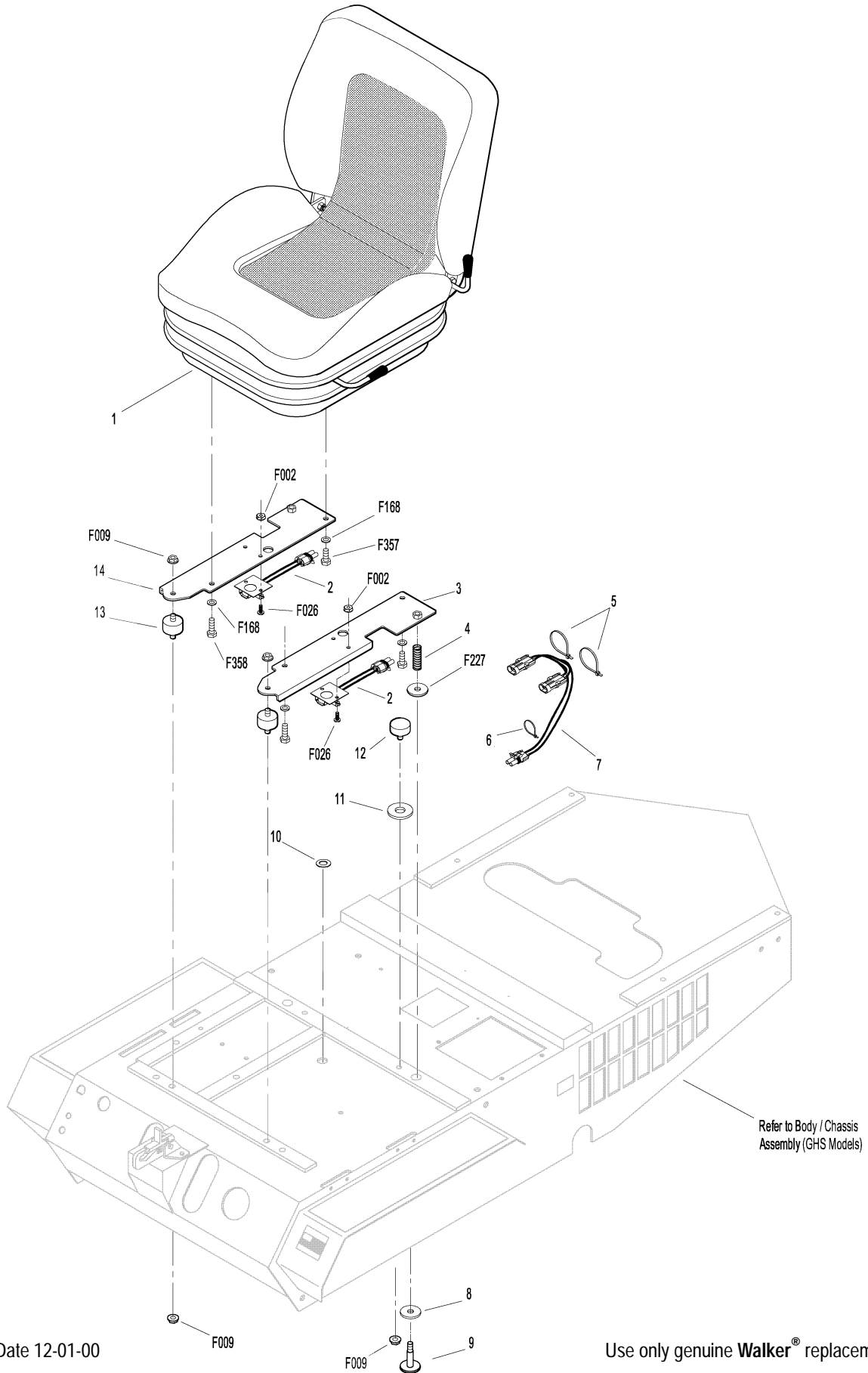
F002	10-24 Keps Nut	4
F009	5/16-18 Whiz Locknut	6
F026	10-24 x 1/2 PPHMS	4
F168	5/16 Split Lock Washer	4
F227	3/8 x 1-1/4 x 1/8 Washer (Plastic)	2
F357	M8 x 16 Hex Bolt	2
F358	M8 x 25 Hex Bolt	2

\* Only one Safety Switch is included with kit. One is reused from Electrical Assembly. Refer to **ELECTRICAL ASSEMBLIES (BODY COMPONENTS)**, Page 34.

**NOTE:** Reuse Items # 4, 8-10, 12, two (2) each of Items # F002, F009 and F026, and Item # F227 from Seat Assembly. Refer to **BODY / CHASSIS ASSEMBLY (GHS MODELS)**, Page 4.



# SUSPENSION SEAT KIT



Effective Date 12-01-00

Use only genuine **Walker**® replacement parts.

# LIGHT KIT

ITEM NO.	PART NO.	DESCRIPTION	NO. REQ'D
----------	----------	-------------	-----------

**Kit 5989 Light Option / Kit**

Includes Items # 1-10, fasteners listed and instructions. May be ordered as a factory-installed option or as a kit for dealer installation. Contact your Walker dealer.

1	5989-2	Light Assembly (Includes Sealed Beam Lamp)	2
	5989-6	Sealed Beam Lamp (Fits P/N 5989-2)	*
2	7834-1	Half U-Wire Clip	4
3	5977-1	Grommet (1/8 x 3/8)	2
4	5975-5	Wire Clip, Self-Mount	3
5	5975-1	Cable Tie (18# x 3-3/4")	1
6	6940-10	Jumper Wire	1
7	5995	Toggle Switch (Off-On)	1
8	5995-2	Switch Boot	1
9	7995-3	Power Lead Wire Assembly (Lights) (Includes Item # 5)	1
10	7992	Mount Bracket, Lights	1

ITEM NO.	PART NO.	DESCRIPTION	NO. REQ'D
----------	----------	-------------	-----------

**Fasteners**

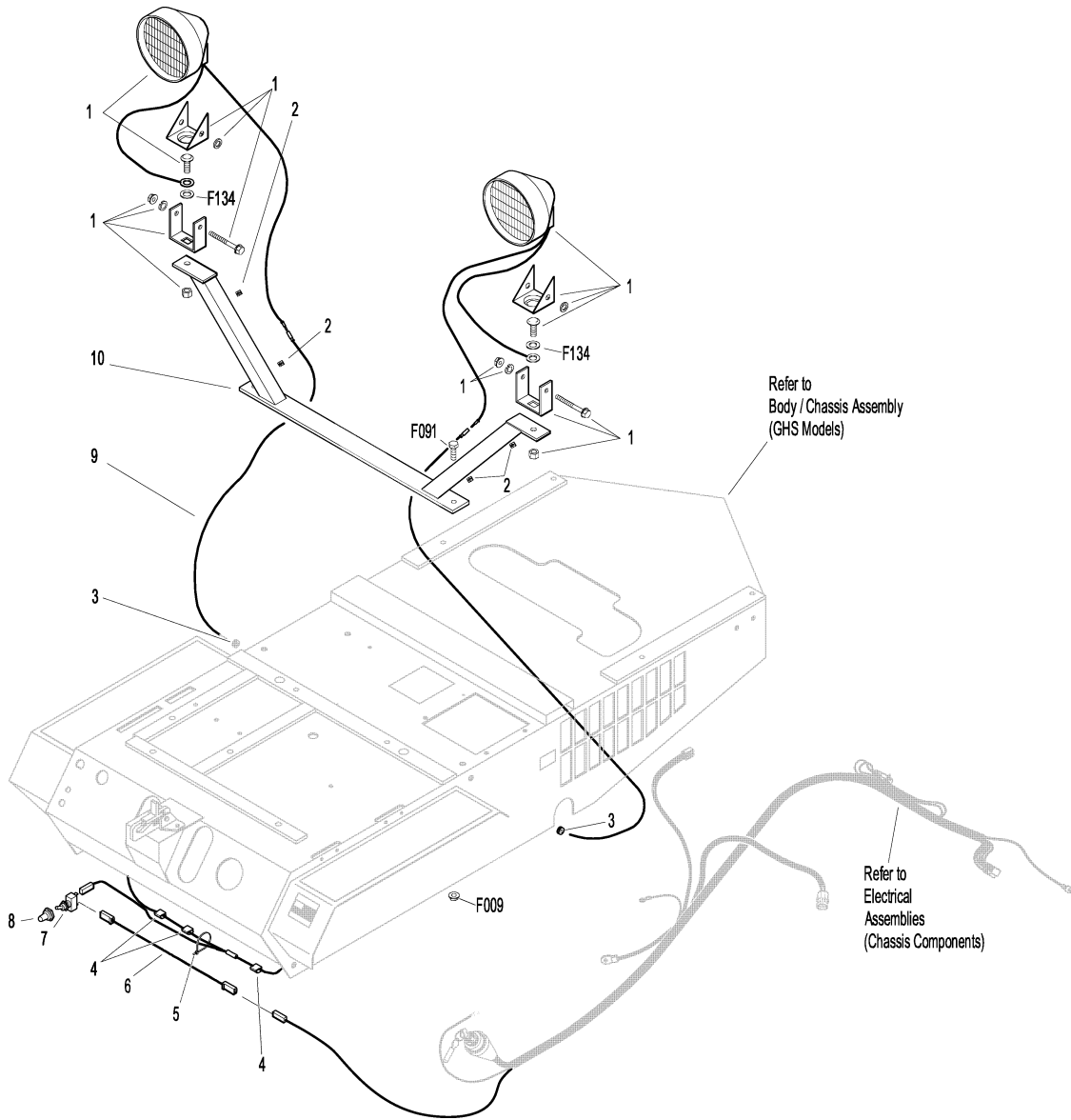
F009		5/16-18 Whiz Locknut	2
F091		5/16-18 x 5/8 Hex Bolt	2
F134		AN960816L Washer	2

\* Service Part Only

**NOTE:** Upon installation of kit, Item # 3 replaces P/N 5989-4 (Dome Plug, 3/8), Item # 5 replaces P/N 5989-5 (Dome Plug, 7/16), and Item # F091 replaces P/N 5989-3 (Dome Plug, 5/16). Dome Plugs are not shown here. Refer to **BODY / CHASSIS ASSEMBLY (GHS MODELS)**, Page 4.

**NOTE:** Refer to **ELECTRICAL CONNECTORS**, Page 40 for identification of all Electrical Wiring Service Parts.

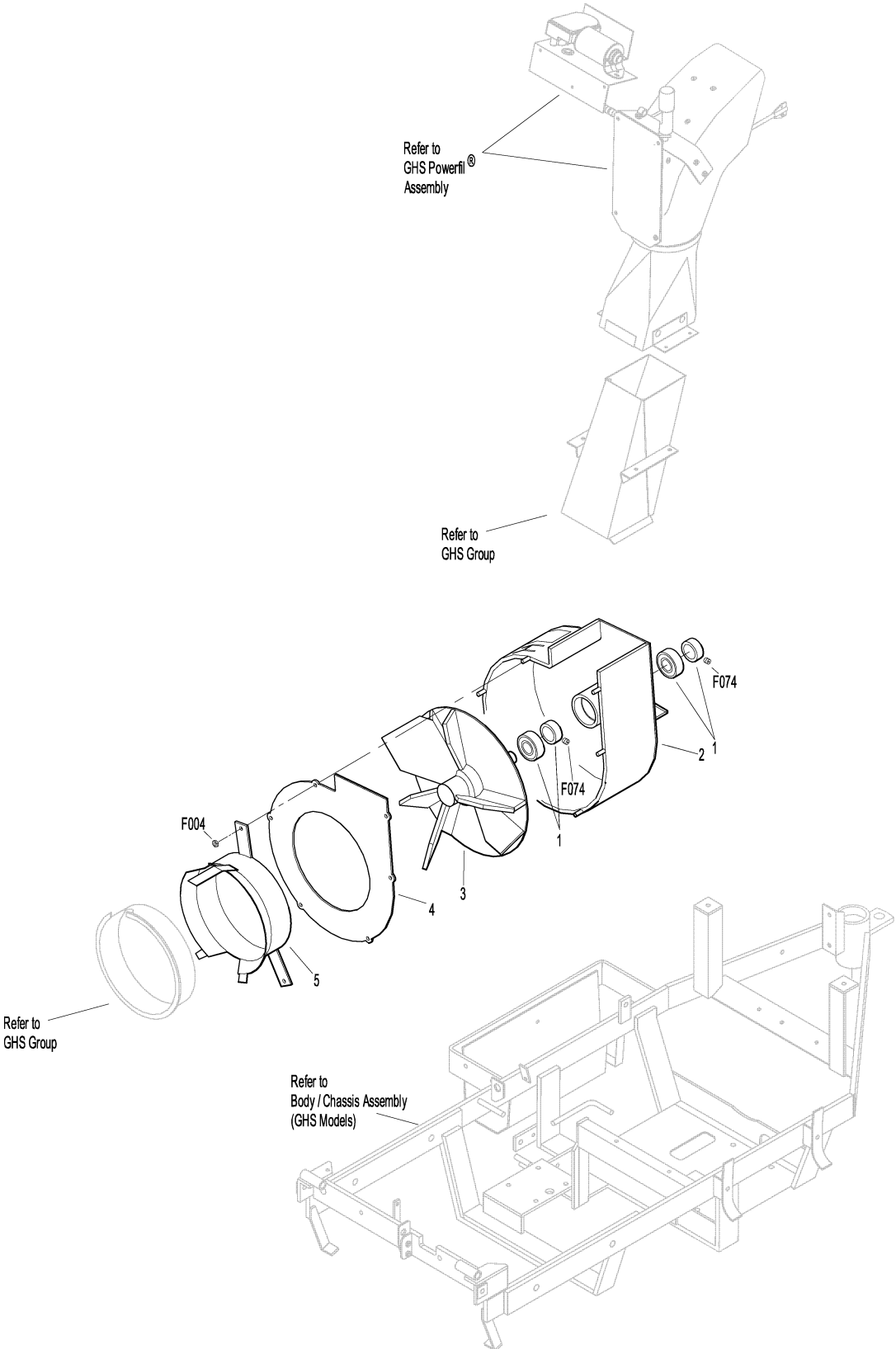
# LIGHT KIT



# CASE-HARDENED BLOWER KIT

ITEM NO.	PART NO.	DESCRIPTION	NO. REQ'D	ITEM NO.	PART NO.	DESCRIPTION	NO. REQ'D
<b>Kit 6542-15 Case Hardened Blower Option / Kit</b> Includes Items # 1-5, fasteners listed and instructions. May be ordered as a factory-installed option or as a kit for dealer installation. Contact your Walker dealer.				<b>Fasteners</b>			
1	5268	Bearing (3/4)	2				
2	NS	Blower Housing (10") HT	1	F004		1/4-20 Keps Nut	6
3	6545-15	Blower Wheel (10") HT	1	F074		1/4-20 x 3/8 Set Screw	2
4	6525-2	Faceplate (10" Blower)	1				
5	6526	Intake Tube (6-1/2 x 2-1/2)	1				

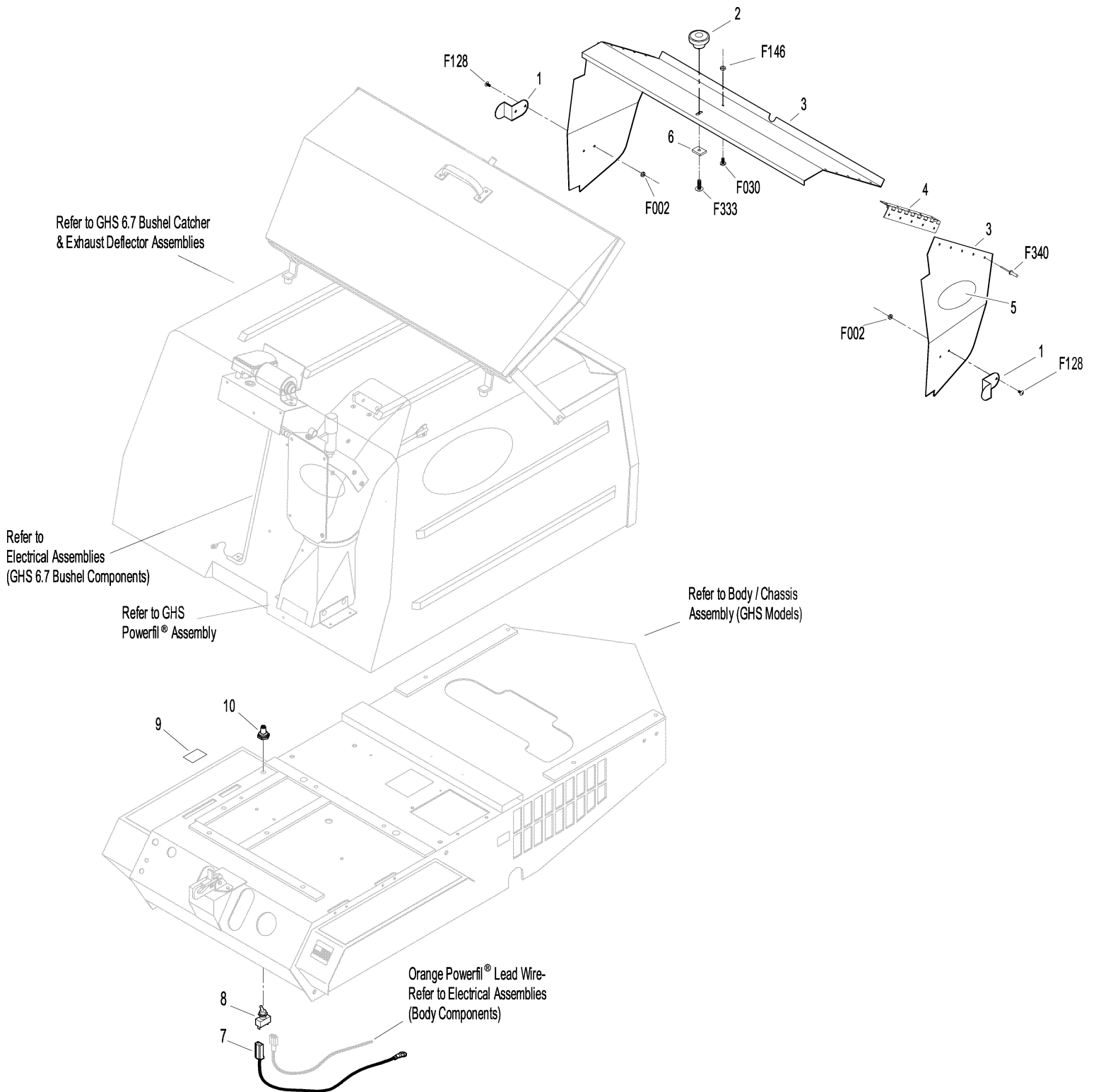
# CASE-HARDENED BLOWER KIT



## NO CATCH DEFLECTOR KIT (6.7 BUSHEL)

ITEM NO.	PART NO.	DESCRIPTION	NO. REQ'D	ITEM NO.	PART NO.	DESCRIPTION	NO. REQ'D
<b>Kit 5500 No Catch Deflector Option / Kit (6.7 Bushel)</b> Includes Items # 1-10, fasteners listed and instructions. May be ordered as a factory-installed option or as a kit for dealer installation. Contact your Walker dealer.				<b>Fasteners</b>			
1	8500-5	Side Bracket	2	F002		10-24 Keps Nut	4
2	8787-2	Deflector Knob	1	F030		1/4-20 x 1/2 PPH Bolt	1
3	5500	6.7 Deflector Assembly (Includes Items # 4 & F340)	1	F128		10-24 x 3/8 PTHMS	4
4	5726-10	Hinge, No-Catch (6.7 / 7.0)	2	F146		1/4-20 Jam Nut	1
5	8500-8	Decal, No Catch Deflector	1	F333		1/4-20 x 3/4 PTHMS	1
6	8500-6	Spacer Lug	1	F340		Rivet, Aluminum	20
7	5500-8	Wire Assembly, 6.7 No Catch Deflector	1	<b>NOTE:</b> Refer to <b>ELECTRICAL CONNECTORS</b> , Page 40 for identification of all Electrical Wiring Service Parts.			
8	5995	Toggle Switch (Off - On)	1				
9	8500-9	Decal, Off - On	1				
10	5995-2	Switch Boot	1				

# NO CATCH DEFLECTOR KIT (6.7 BUSHEL)

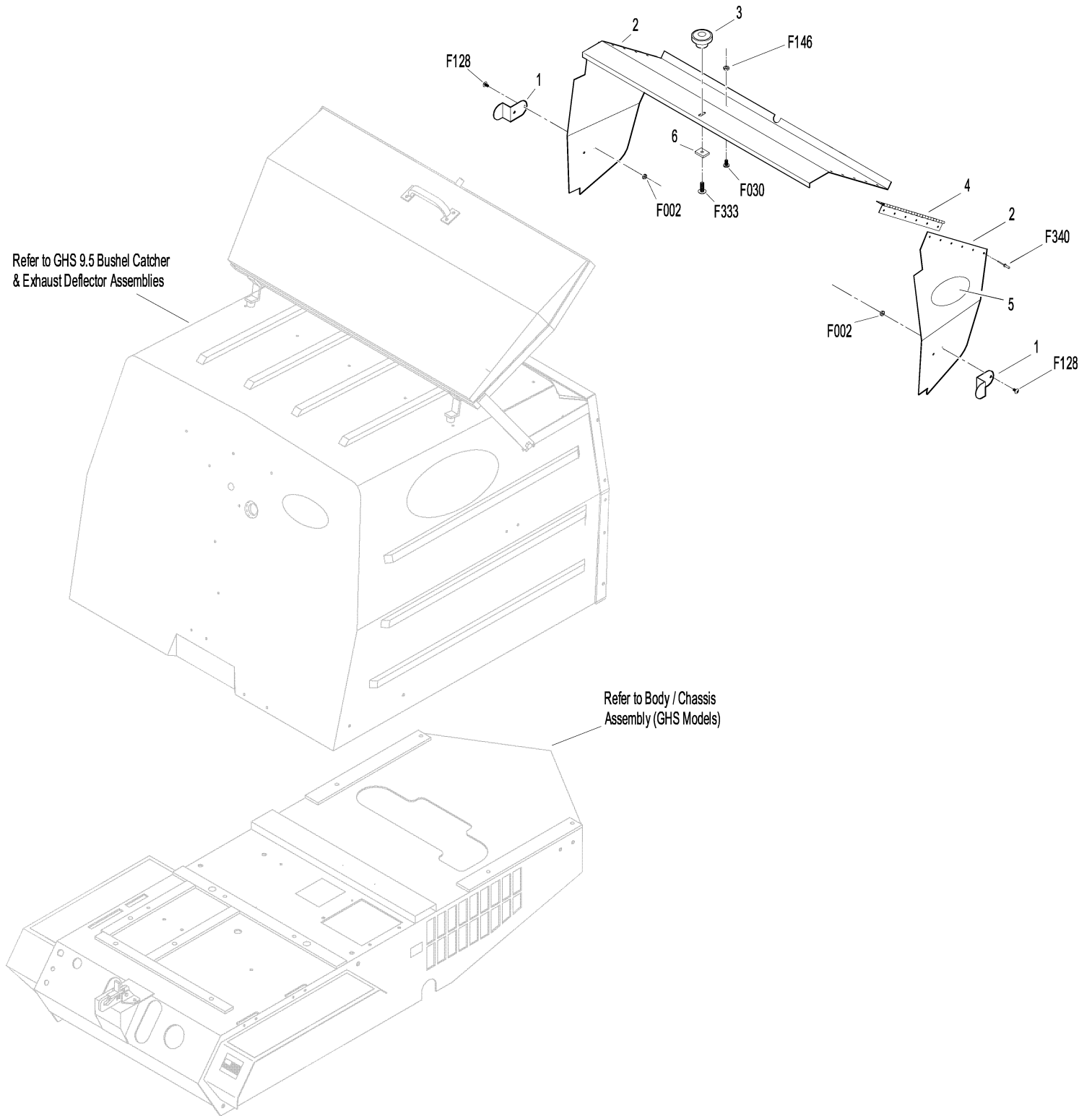


## NO CATCH DEFLECTOR KIT (9.5 BUSHEL)

ITEM NO.	PART NO.	DESCRIPTION	NO. REQ'D	ITEM NO.	PART NO.	DESCRIPTION	NO. REQ'D
<b>Kit</b>	<b>8500</b>	<b>No Catch Deflector Option / Kit (9.5 Bushel)</b>		<b>Fasteners</b>			
		Includes Items # 1-6, fasteners listed and instructions. May be ordered as a factory-installed option or as a kit for dealer installation. Contact your Walker dealer.			F002	10-24 Keps Nut	4
					F030	1/4-20 x 1/2 PPH Bolt	1
					F128	10-24 x 3/8 PTHMS	4
					F146	1/4-20 Jam Nut	1
					F333	1/4-20 x 3/4 PTHMS	1
					F340	Rivet, Aluminum	24
1	8500-5	Side Bracket	2				
2	8500-1	Deflector Assembly (9.5) (Includes Items # 4 & F340)	1				
3	8787-2	Deflector Knob	1				
4	7726-10	Hinge, No-Catch (9.5)	2				
5	8500-8	Decal, No Catch Deflector	1				
6	8500-6	Spacer Lug	1				



# NO CATCH DEFLECTOR KIT (9.5 BUSHEL)



# ALL-TERRAIN TIRE KIT & TIRE CHAIN SETS

ITEM NO.	PART NO.	DESCRIPTION	NO. REQ'D
----------	----------	-------------	-----------

**Kit 8072 All-Terrain Tire Option / Kit**  
Includes Items # 1-3 and instructions. May be ordered as a factory installed option, or as a kit for dealer installation. Contact your Walker dealer.

1	8070	All-Terrain Wheel & Tire, RH (18 x 11.00-10)	1
	8070-1	AT Tire Only (18 x 11.00-10)	*
	8070-2	AT Wheel Only (10 x 8.5)	*
2	8070-31	Wheel Spacer Plate (1/2)	2
3	8071	All-Terrain Wheel & Tire, LH (18 x 11.00-10)	1

ITEM NO.	PART NO.	DESCRIPTION	NO. REQ'D
----------	----------	-------------	-----------

**Optional Tire Chain Sets**  
Includes Items # 2 and 4. Tire Chain Sets are not for use on All-Terrain Tires. Use only with tires listed at Item # 4. Refer also to **BODY / CHASSIS ASSEMBLY (GHS MODELS)**, Page 4.

4	5675-2	Tire Chain Set (18 x 8.50-8) (Includes Item # 2) (For use with Wide Wheel & Tire Assy)	1
	5675	Tire Chain Set (18 x 6.50-8) (Includes Item # 2) (For use with Optional Narrow Drive Tires)	1

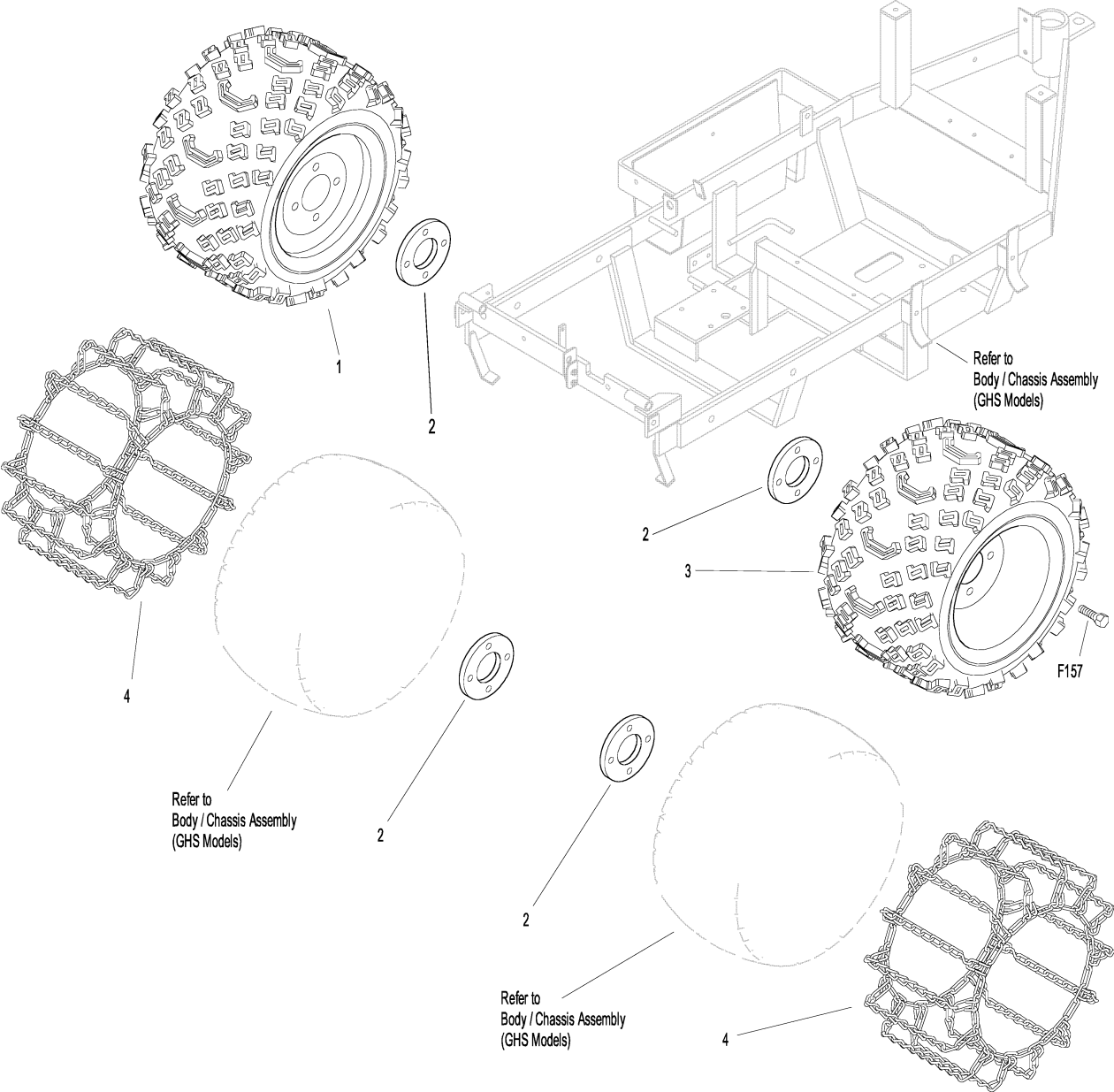
### Fasteners

F157	1/2-20 x 1-1/4 Wheel Lug Bolt	8
------	-------------------------------	---

\* Service Part Only

**NOTE:** Reuse Item # F157 from Wheel & Tire Assembly. Refer to **BODY / CHASSIS ASSEMBLY (GHS MODELS)**, Page 4.

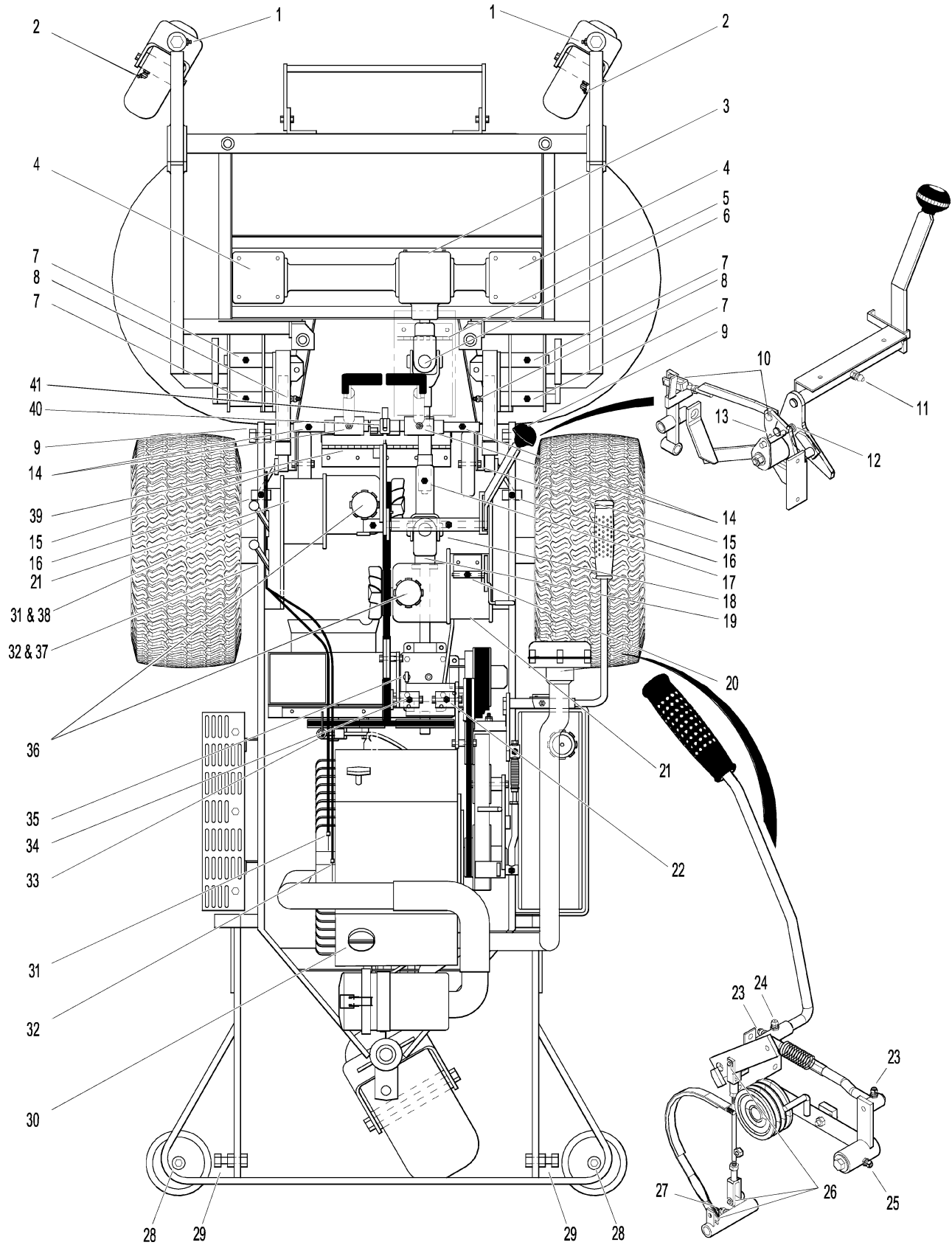
# ALL-TERRAIN TIRE KIT & TIRE CHAIN SETS



# LUBRICATION POINTS

ITEM NO.	LOCATION	LUBRICATION TYPE	NO. PLACES	ITEM NO.	LOCATION	LUBRICATION TYPE	NO. PLACES
<b>Lubrication Points</b>				28	Anti-Scuff Roller Wheel	Oil	2
1	Deck Caster Wheel Fork Pivot	Grease	2	29	Catcher Hinge Point	Oil	2
2	Deck Caster Wheel Bearing	Grease	2	30	Engine Oil	Oil***	1
3	Tee Gearbox, Deck	Oil*	1	31	Choke Control Cable Ends	Oil	2
4	Blade Drive Gearbox	Oil*	2	32	Throttle Control Cable Ends	Oil	2
5	PTO Shaft Guard Hinge	Oil	1	33	Belt Tightener Pivot, Blower Drive (GHS Models Only)	Grease	1
6	Universal Joint Shaft Assembly	Grease**	1	34	Belt Tightener Pivot, Ground Drive	Grease	1
7	Pivot Assembly, Tilt-Up Deck	Grease	4	35	PTO Gearbox Dipstick	Oil	1
8	Deck Support Arm Socket	Grease	2	36	Hydrostatic Drive	Oil***	2
9	Body Hinge Point	Oil	2	37	Choke Control Pivot	Oil	1
10	FSC Actuator Rod Pivot Pins	Oil	2	38	Throttle Control Pivot	Oil	1
11	FSC Lever Pivot	Grease	1	39	Discharge Chute Hinge	Oil	1
12	FSC Lever Fork (Grease Slide Area)	Grease	1	40	Tilt-Up Latch Assembly	Oil	1
13	(FSC) Friction Body Pivot	Grease	1	41	Steering Lever Support	Oil	1
14	Steering Lever Pivot	Grease	4				
15	Deck Roller Wheel	Oil	2	* Gearboxes are permanently lubricated and sealed requiring no scheduled lubrication. Oil level should be checked only when an oil leak is noted.			
16	Deck Support Arm Pivot	Grease	2	** Grease every eight (8) hours.			
17	Deck-to-PTO Coupling (Grease Slide Area)	Grease	1	*** See Owner's Manual for procedure for checking and changing oil in Engine Crankcase, Hydrostatic Transmissions, and Gear Axles.			
18	Universal Joint Tube Assembly	Grease**	1	<b>NOTE:</b> See Model MC <b>Owner's Manual</b> (P/N 6000-1) for proper lubrication intervals.			
19	Universal Joint Quick Connect Spline (Grease Slide Area)	Grease	1	<b>NOTE:</b> DGHS42 Tilt-Up Deck is shown for reference. For other Deck Lubrication Points, refer to <b>Deck and Carrier Frame Illustrated Parts Manual</b> .			
20	Parking Brake Lever	Grease	1				
21	Gear Axle	Oil***	2				
22	Belt Tightener Pivot, Jackshaft Drive	Grease	1				
23	Clutch Actuator Push Rod	Grease	2				
24	PTO Clutch Lever Pivot	Grease	1				
25	Belt Tightener Pivot PTO Clutch	Grease	1				
26	Brake Actuator Rod and Brake Band Pivot Pins (Clevis)	Oil***	3				
27	Brake Actuator Pivot	Grease	1				

# LUBRICATION POINTS



Effective Date 12-01-00

Use only genuine Walker® replacement parts.

# WIRING SCHEMATIC

## WALKER MODEL MC Beginning S/N 2001-49399

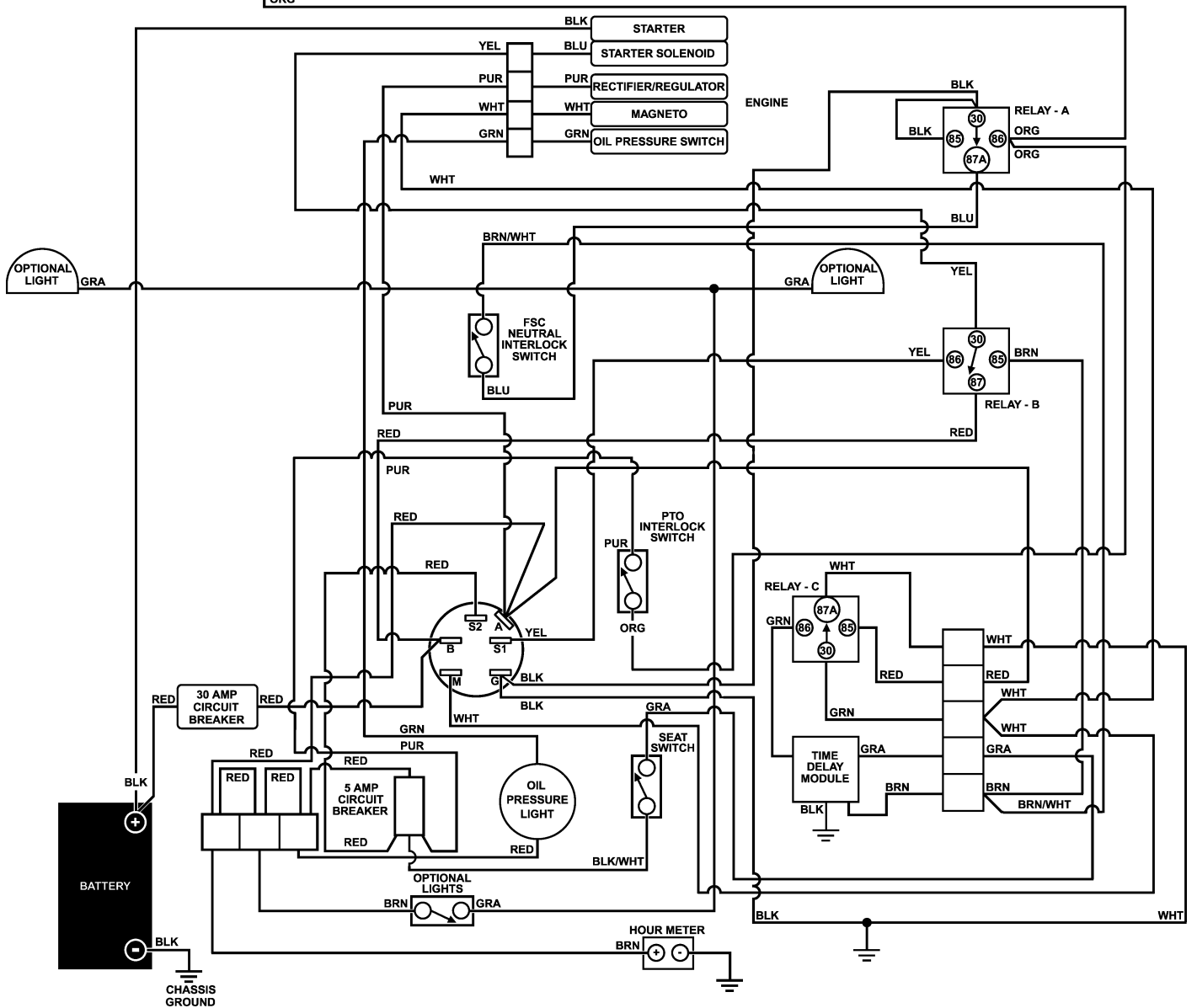
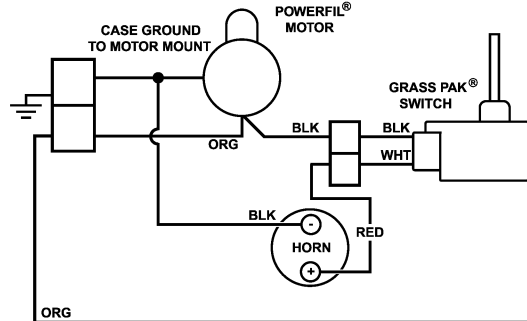
IGNITION SWITCH CIRCUITS	
OFF	G + M
START	B + A / S1 + S2
RUN	B + A

S1 = START CIRCUIT  
S2 = START/ACCESSORY CIRCUIT  
M = MAGNETO GROUND CIRCUIT  
B = BATTERY CIRCUIT  
A = ACCESSORY CIRCUIT  
G = GROUND CIRCUIT

RELAY - A IGNITION RELAY	
OFF	30 + 87A
START	30 + 87A
PTO ON	OPEN

RELAY - B START RELAY	
OFF	OPEN
START	OPEN
PTO ON	30 + 87

RELAY - C DELAY RELAY	
OFF	30 + 87A
START	OPEN
RUN	OPEN



# LIMITED WARRANTY FOR WALKER COMMERCIAL RIDER MOWER

## 1. WHAT THIS WARRANTY COVERS, AND FOR HOW LONG:

Walker Manufacturing company will, at its option, repair or replace, without charge, any part covered by this warranty which is found to be defective in material and/or workmanship within one (1) year\* after date of sale to the original retail purchaser unless the product is used for rental purposes, in which case this warranty is limited to ninety (90) days. At Walker's request, customer will make the defective part available for inspection by Walker and/or return the defective part to Walker, transportation charges prepaid. All parts and components of the Walker Mower are covered by this warranty **except** the following components which are warranted separately by their respective manufacturers:

Kohler Engine  
Kubota Engine  
Kawasaki Engine  
Eaton Hydraulic Transmission  
Peerless Gearboxes  
Battery  
Tires

The available warranties covering these items are furnished with each mower. Walker does not assume any warranty obligation, liability or modification for these items, which are covered exclusively by the stated warranty of the respective manufacturers noted above.

\* An extended three (3) year warranty is offered on the Walker P/N 6200-7 Gear Axle Assembly.

## 2. WHAT THIS WARRANTY DOES NOT COVER:

- A. This warranty does not cover defects caused by depreciation or damage caused by normal wear, accidents, improper maintenance, improper use or abuse of the product, alterations, or failure to follow the instructions contained in the Owner's Manual for operation and maintenance.
- B. The customer shall pay any charges for making service calls and/or for transporting the mower to and from the place where the inspection and/or warranty work is performed.

## 3. HOW TO OBTAIN SERVICE UNDER THIS WARRANTY:

Warranty service can be arranged by contacting the dealer where you purchased the mower or by contacting Walker Manufacturing Company, 5925 East Harmony Road, Ft. Collins, CO 80528. Proof of the date of purchase may be required to verify warranty coverage.

## 4. WARRANTY LIMITATION:

- A. **THERE IS NO OTHER EXPRESS WARRANTY. ANY WARRANTY THAT MAY BE IMPLIED FROM THIS PURCHASE INCLUDING MERCHANTABILITY AND FITNESS FOR A PARTICULAR PURPOSE IS HEREBY LIMITED TO THE DURATION OF THIS WARRANTY AND TO THE EXTENT PERMITTED BY LAW ANY AND ALL IMPLIED WARRANTIES ARE EXCLUDED.** Some states do not allow limitations on how long an implied warranty lasts, so the above limitations may not apply to you.
- B. **WALKER WILL NOT BE LIABLE FOR ANY INCIDENTAL, CONSEQUENTIAL, OR SPECIAL DAMAGES AND/OR EXPENSES IN CONNECTION WITH THE PURCHASE OR USE OF THE MOWER.** Some states do not allow the exclusion or limitation of incidental or consequential damages, so the above limitation(s) or exclusion(s) may not apply to you.
- C. Only the warranty expressed in this limited warranty shall apply and no dealer, distributor, or individual is authorized to amend, modify, or extend this warranty in any way. Accordingly, additional statements such as dealer advertising or presentations, whether oral or written, do not constitute warranties by Walker, and should not be relied upon.
- D. This warranty gives you specific legal rights, and you may also have other rights which vary from state to state.

# WALKER MOWERS™

WALKER MFG. CO. • 5925 E. HARMONY ROAD, FORT COLLINS, CO 80528 • (970) 221-5614  
FORM NO. 030501 PRINTED IN USA ©2001 WALKER MFG. CO  
[www.walkermowers.com](http://www.walkermowers.com)