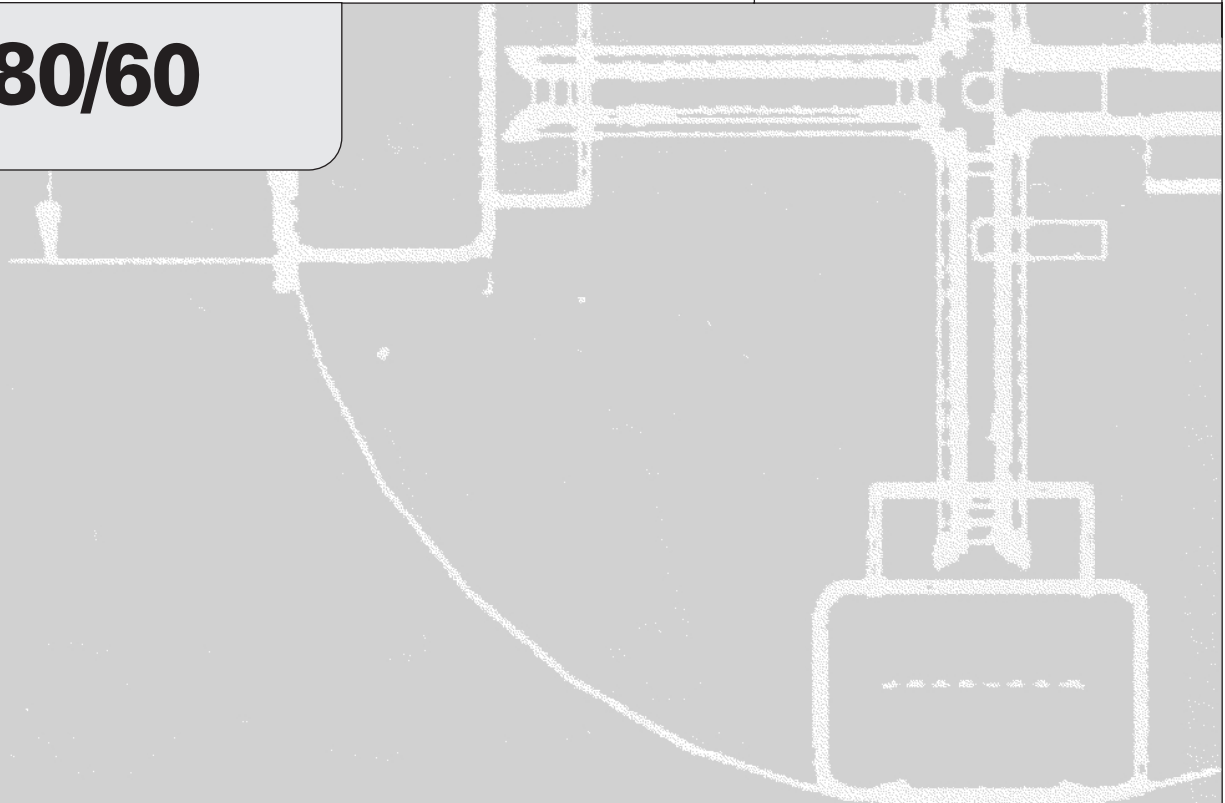


# Genie®

## Operator's Manual *with Maintenance Information*

First Edition  
Third Printing  
Part No. 82258

### Z™-80/60



---

## Important

Read, understand and obey these safety rules and operating instructions before operating this machine. Only trained and authorized personnel shall be permitted to operate this machine. This manual should be considered a permanent part of your machine and should remain with the machine at all times. If you have any questions, call Genie Industries.

---

## Contents

	Page
Safety Rules .....	1
Controls .....	7
Pre-operation Inspection .....	10
Maintenance .....	12
Function Tests .....	15
Workplace Inspection .....	21
Operating Instructions .....	22
Decals .....	26
Transport and Lifting Instructions .....	28
Specifications .....	31

---

## Contact us:

Internet: <http://www.genielift.com>  
 e-mail: [techpub@genieind.com](mailto:techpub@genieind.com)


---

Copyright © 2002 by Genie Industries

First Edition: Third Printing, October 2002

"Genie" and "Z" are registered trademarks of Genie Industries in the U.S.A. and many other countries.

These machines comply with  
ANSI/SIA 92.5-1992.

 Printed on recycled paper

Printed in U.S.A.

---

# Safety Rules



---

## Danger

Failure to obey the instructions and safety rules in this manual will result in death or serious injury.

---

## Do Not Operate Unless:

- You learn and practice the principles of safe machine operation contained in this operator's manual.

### 1 Avoid hazardous situations.

**Know and understand the safety rules before going on to the next section.**

- 2 Always perform a pre-operation inspection.
- 3 Always perform function tests prior to use.
- 4 Inspect the workplace.
- 5 Only use the machine as it was intended.

- You read, understand and obey:

Manufacturer's instructions and safety rules—safety and operator's manuals and machine decals

employer's safety rules and worksite regulations

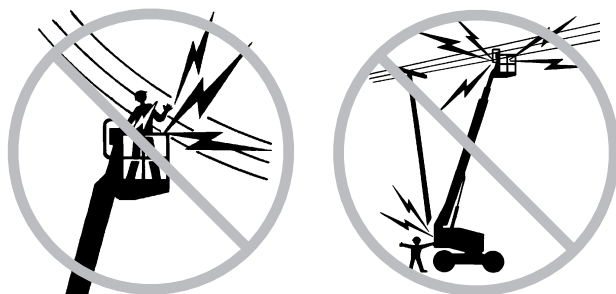
applicable governmental regulations

- You are properly trained to safely operate the machine.

SAFETY RULES

### Electrocution Hazards

This machine is **not** electrically insulated and will **not** provide protection from contact with or proximity to electrical current.



Maintain safe distances from electrical power lines and apparatus in accordance with applicable governmental regulations and the following chart.

Voltage Phase to Phase	Minimum Safe Approach Distance	
	Feet	Meters
0 to 300V	Avoid Contact	
300V to 50KV	10	3.05
50KV to 200KV	15	4.60
200KV to 350KV	20	6.10
350KV to 500KV	25	7.62
500KV to 750KV	35	10.67
750KV to 1000KV	45	13.72

Allow for platform movement, electrical line sway or sag and beware of strong or gusty winds.

Keep away from the machine if it contacts energized power lines. Personnel on the ground or in the platform must not touch or operate the machine until energized power lines are shut off.

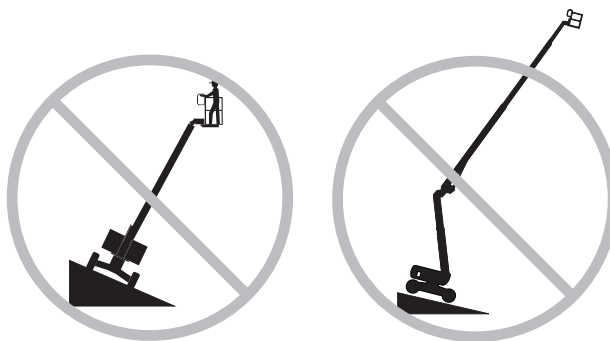
Do not use the machine as a ground for welding unless the machine is equipped with the weld line to platform option and it is properly connected.

### Tip-over Hazards

Occupants and equipment shall not exceed the maximum platform capacity.

<b>Maximum platform capacity</b>	500 lbs	227 kg
<b>Maximum occupants</b>	2	

Do not raise or extend the boom unless the machine is on a firm, level surface.



Do not depend on the tilt alarm as a level indicator. The tilt alarm sounds in the platform only when the machine is on a severe slope.

**SAFETY RULES**

If the tilt alarm sounds:

Do not extend, rotate or raise the boom above horizontal. Move the machine to a firm, level surface before raising the platform. If the tilt alarm sounds when the platform is raised, use extreme caution to retract the boom and lower the platform. Do not rotate the boom while lowering. Move the machine to a firm, level surface before raising the platform.

Do not use the platform controls to free a platform that is caught, snagged or otherwise prevented from normal motion by an adjacent structure. All personnel must be removed from the platform before attempting to free the platform using the ground controls.

Do not operate the machine in strong or gusty winds. Do not increase the surface area of the platform or the load. Increasing the area exposed to the wind will decrease machine stability.



Use extreme care and slow speeds while driving the machine in the stowed position across uneven terrain, debris, unstable or slippery surfaces and near holes and drop-offs.

Do not drive the machine on or near uneven terrain, unstable surfaces or other hazardous conditions with the boom raised or extended.

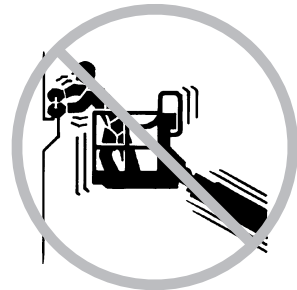
<b>Maximum allowable side force - ANSI &amp; CSA</b>	150 lbs 667 N
<b>Maximum allowable side force - CE</b>	90 lbs 400 N

Do not push off or pull toward any object outside of the platform.

Do not alter or disable machine components that in any way affect safety and stability.

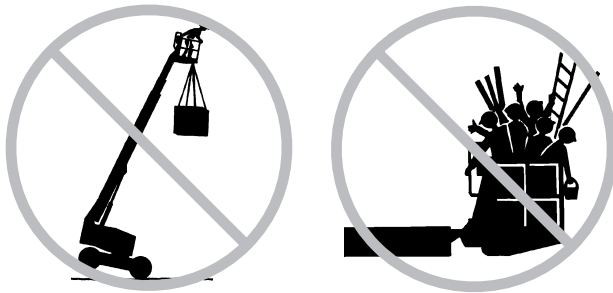
Do not replace items critical to machine stability with items of different weight or specification.

Do not modify or alter an aerial work platform. Mounting attachments for holding tools or other materials onto the platform, toeboards or guard rail system can increase the weight in the platform and the surface area of the platform or the load.

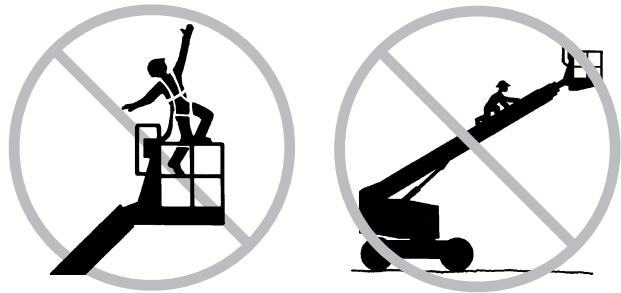


**SAFETY RULES**

Do not place or attach overhanging loads to any part of this machine.



Do not sit, stand or climb on the platform guard rails. Maintain a firm footing on the platform floor at all times.



Do not place ladders or scaffolds in the platform or against any part of this machine.

Do not use the machine on a moving or mobile surface or vehicle.

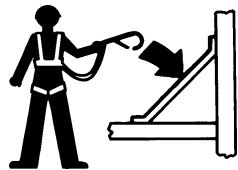
Be sure all tires are in good condition and lug nuts are properly tightened.

Do not climb down from the platform when raised.

Keep the platform floor clear of debris.

Lower the platform entry mid-rail or close the entry gate before operating.

**Fall Hazards**



Occupants must wear a safety belt or harness in accordance with governmental regulations. Attach the lanyard to the anchorage point provided in the platform.

It is recommended that operators wear an approved hard hat when operating the machine.

**Collision Hazards**



Be aware of limited sight distance and blind spots when driving or operating.

Be aware of boom position and tailswing when rotating the turntable.

Check the work area for overhead obstructions or other possible hazards.



Be aware of crushing hazards when grasping the platform guard rail.

## SAFETY RULES

Observe and use the circle and square markings and the color-coded direction arrows on the platform controls and drive chassis for drive and steer functions.

Do not lower the boom unless the area below is clear of personnel and obstructions.



Limit travel speed according to the condition of the ground surface, congestion, slope, location of personnel, and any other factors which may cause collision.

Do not operate a boom in the path of any crane unless the controls of the crane have been locked out and/or precautions have been taken to prevent any potential collision.

No stunt driving or horseplay while operating a machine.

## Component Damage Hazards

Do not use any battery or charger greater than 12V DC to jump-start the engine.

Do not use the machine as a ground for welding.

## Explosion and Fire Hazards

Do not start the engine if you smell or detect liquid petroleum gas (LPG), gasoline, diesel fuel or other explosive substances.

Do not refuel the machine with the engine running.

Refuel the machine and charge the battery only in an open, well-ventilated area away from sparks, flames and lighted tobacco.

Do not operate the machine in hazardous locations or locations where potentially flammable or explosive gases or particles may be present.

## SAFETY RULES

## Damaged Machine Hazards

Do not use a damaged or malfunctioning machine.

Conduct a thorough pre-operation inspection of the machine and test all functions before each work shift. Immediately tag and remove from service a damaged or malfunctioning machine.

Be sure all maintenance has been performed as specified in this manual and the appropriate service manual.

Be sure all decals are in place and legible.

Be sure that the operator's, safety and responsibilities manuals are complete, legible and in the storage container located in the platform.

## Bodily Injury Hazard

Do not operate the machine with a hydraulic oil or air leak. An air leak or hydraulic leak can penetrate and/or burn skin.

Always operate the machine in a well-ventilated area to avoid carbon monoxide poisoning.

## Decal Legend

Genie product decals use symbols, color coding and signal words to identify the following:



Safety alert symbol—used to alert personnel to potential personal injury hazards. Obey all safety messages that follow this symbol to avoid possible injury or death.

### **▲ DANGER**

Red—used to indicate the presence of an imminently hazardous situation which, if not avoided, will result in death or serious injury.

### **▲ WARNING**

Orange—used to indicate the presence of a potentially hazardous situation which, if not avoided, could result in death or serious injury.

### **▲ CAUTION**

Yellow with safety alert symbol—used to indicate the presence of a potentially hazardous situation which, if not avoided, may cause minor or moderate injury.

### **CAUTION**

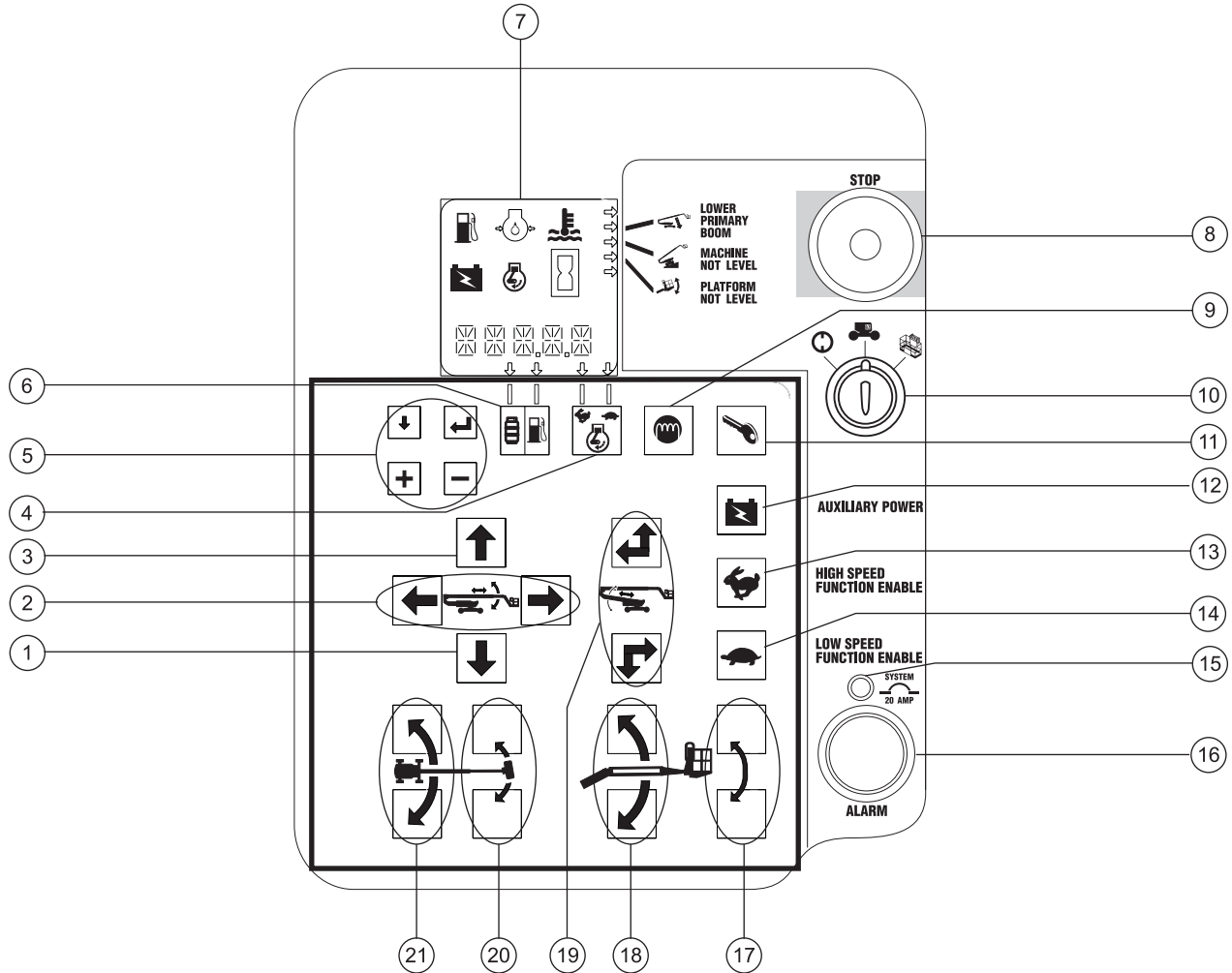
Yellow without safety alert symbol—used to indicate the presence of a potentially hazardous situation which, if not avoided, may result in property damage.

### **NOTICE**

Green—used to indicate operation or maintenance information.



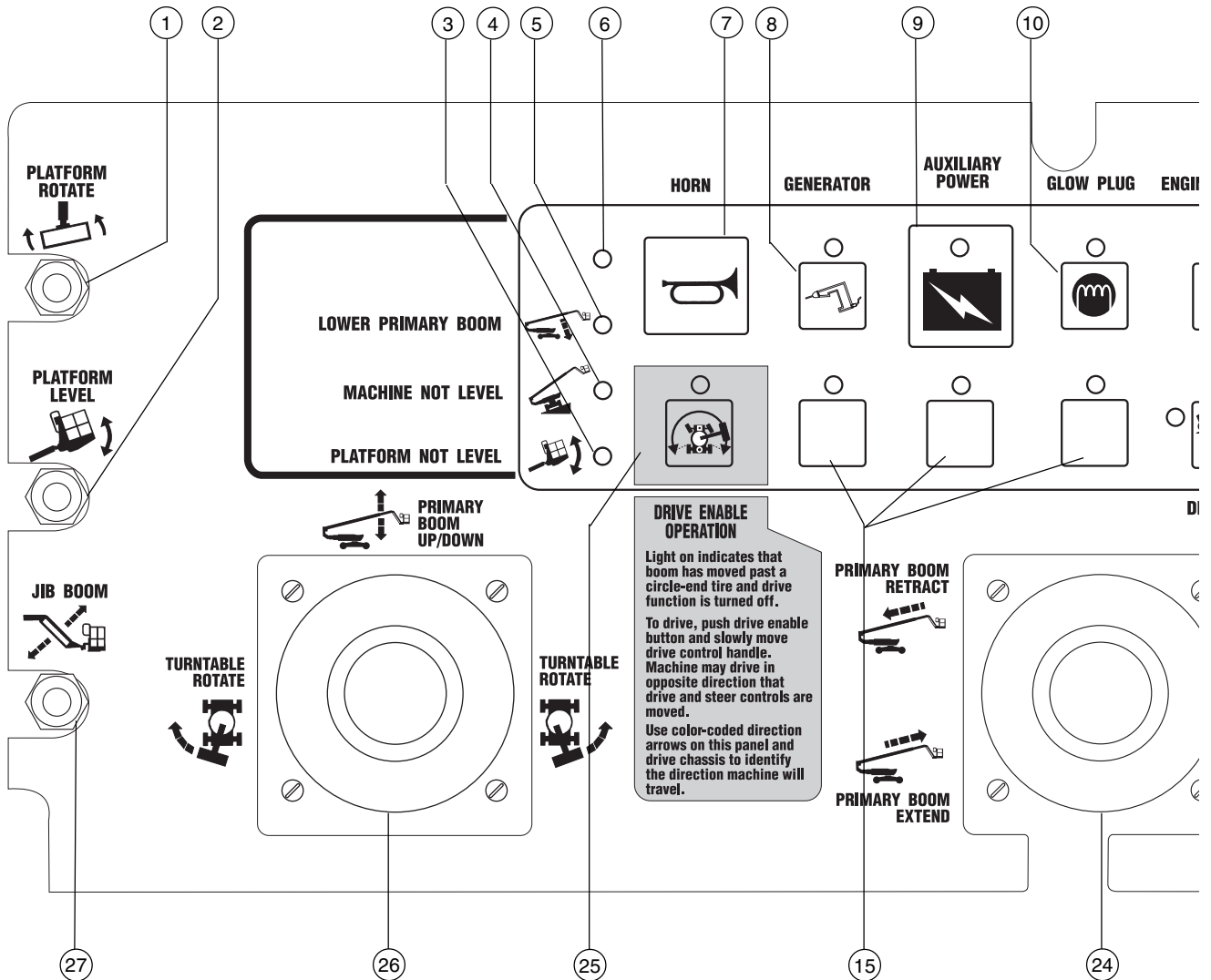
# Controls



## Ground Control Panel

- |   |  |
|---|--|
| 1 Boom down button                              | 12 Auxiliary power button                            |
| 2 Boom extend/retract buttons                   | 13 High speed function enable button                 |
| 3 Boom up button                                | 14 Low speed function enable button                  |
| 4 Engine speed select button                    | 15 20A circuit breaker for system circuit            |
| 5 LCD screen control buttons                    | 16 Alarm   |
| 6 Gasoline/LPG select button                    | 17 Platform level up/down buttons                    |
| 7 LCD readout screen                            | 18 Jib boom up/down buttons                          |
| 8 Red Emergency Stop button                     | 19 Secondary boom up/extend and down/retract buttons |
| 9 Diesel models: Glow plug button               | 20 Platform rotate left/right buttons                |
| 10 Key switch for off/ground/platform selection | 21 Turntable rotate left/right buttons               |
| 11 Engine start button                          |  |

CONTROLS



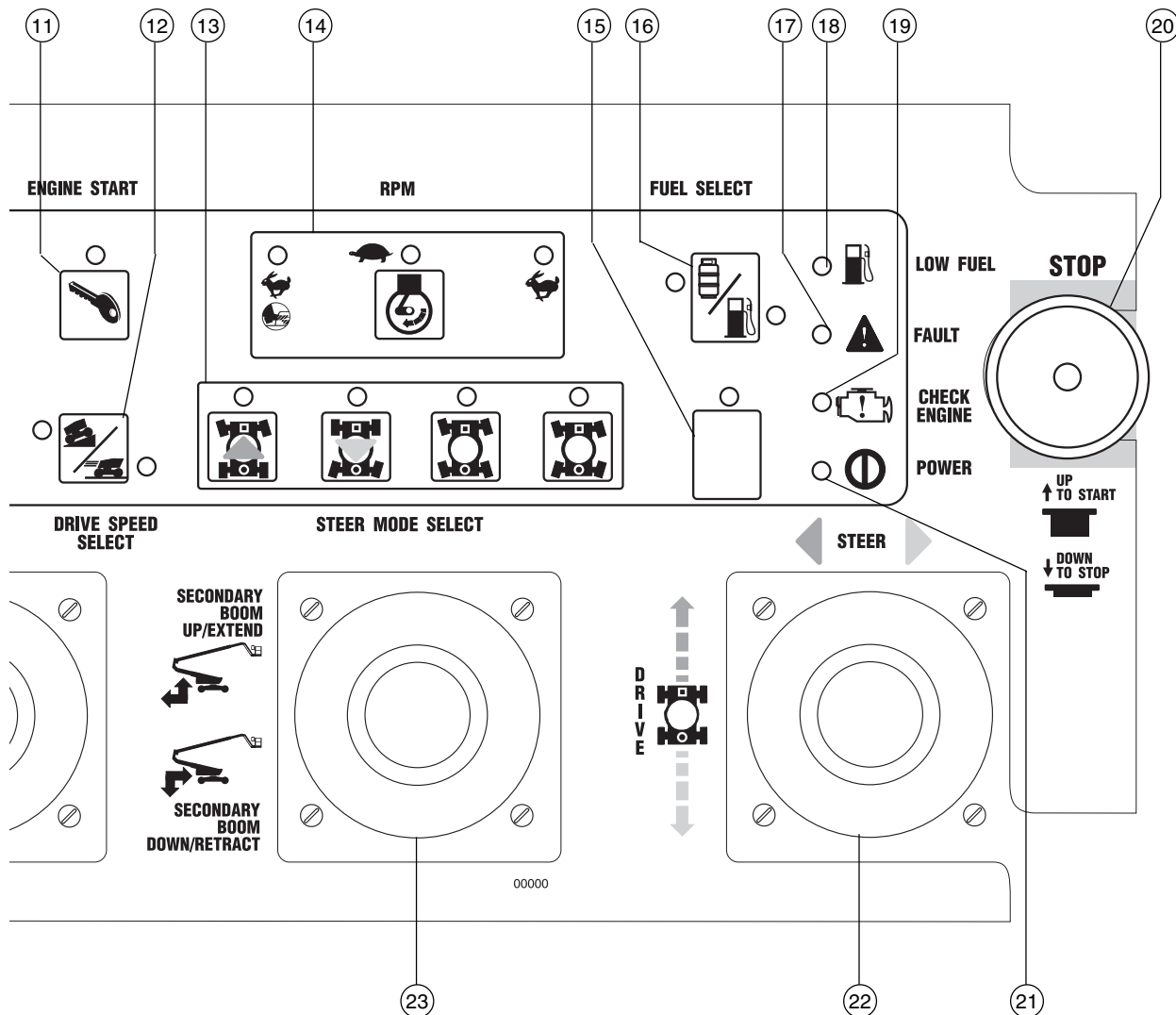
**Platform Control Panel**

- 1 Platform rotate toggle switch
- 2 Platform level toggle switch
- 3 Platform Not Level indicator light
- 4 Machine Not Level indicator light
- 5 Lower Primary Boom indicator light
- 6 not used
- 7 Horn button

- 8 Generator button with indicator light (option)
- 9 Auxiliary power button with indicator light
- 10 Diesel models: Glow plug button with indicator light
- 11 Engine start button with indicator light
- 12 Drive select button with indicator lights:  
Machine on incline symbol:  
Low range operation for inclines

- Machine on level surface symbol: High range operation for maximum drive speed
- 13 Steer mode select buttons with indicator lights
- 14 Engine idle (rpm) select button with indicator lights:
  - Rabbit & Foot Switch: foot switch activated high idle
  - Turtle: low idle
  - Rabbit: high idle

CONTROLS



- 15 Used for optional equipment
- 16 Gasoline/LPG models:  
Gasoline/LPG select  
button with indicator lights
- 17 Fault indicator light
- 18 Low fuel indicator light
- 19 Check engine indicator light
- 20 Red Emergency Stop button
- 21 Power indicator light

- 22 Dual axis proportional control  
handle for drive and steer  
functions  
OR Proportional control  
handle for drive function and  
thumb rocker for steer  
function
- 23 Single axis proportional  
control handle for secondary  
boom up/extend and  
down/retract function

- 24 Single axis proportional  
control handle for primary  
boom extend/retract function
- 25 Drive enable button with  
indicator light
- 26 Dual axis proportional control  
handle for primary boom  
up/down and turntable rotate  
left/right functions
- 27 Jib boom up/down toggle  
switch

# Pre-operation Inspection



---

## Do Not Operate Unless:

- You learn and practice the principles of safe machine operation contained in this operator's manual.

1 Avoid hazardous situations.

### **2 Always perform a pre-operation inspection.**

**Know and understand the pre-operation inspection before going on to the next section.**

3 Always perform function tests prior to use.

4 Inspect the workplace.

5 Only use the machine as it was intended.

## Fundamentals

It is the responsibility of the operator to perform a pre-operation inspection and routine maintenance.

The pre-operation inspection is a visual inspection performed by the operator prior to each work shift. The inspection is designed to discover if anything is apparently wrong with a machine before the operator performs the function tests.

The pre-operation inspection also serves to determine if routine maintenance procedures are required. Only routine maintenance items specified in this manual may be performed by the operator.

Refer to the list on the next page and check each of the items and locations for modifications, damage or loose or missing parts.

A damaged or modified machine must never be used. If damage or any variation from factory delivered condition is discovered, the machine must be tagged and removed from service.

Repairs to the machine may only be made by a qualified service technician, according to the manufacturer's specifications. After repairs are completed, the operator must perform a pre-operation inspection again before going on to the function tests.

Scheduled maintenance inspections shall be performed by qualified service technicians, according to the manufacturer's specifications and the requirements listed in the responsibilities manual.

## PRE-OPERATION INSPECTION

## Pre-operation Inspection

---

- ❑ Be sure that the operator's, safety and responsibilities manuals are complete, legible and in the storage container located in the platform.
- ❑ Be sure that all decals are legible and in place. See Decals section.
- ❑ Check for engine oil leaks and proper oil level. Add oil if needed. See Maintenance section.
- ❑ Check for hydraulic oil leaks and proper oil level. Add oil if needed. See Maintenance section.
- ❑ Check for engine coolant leaks and proper level of coolant. Add coolant if needed. See Maintenance section.
- ❑ Check for battery fluid leaks and proper fluid level. Add distilled water if needed. See Maintenance section.

Check the following components or areas for damage and improperly installed, loose or missing parts:

- ❑ Electrical components, wiring and electrical cables
- ❑ Hydraulic hoses, fittings, cylinders and manifolds
- ❑ Fuel and hydraulic tanks
- ❑ Drive and turntable motors and drive hubs
- ❑ Boom and axle wear pads
- ❑ Tires and wheels
- ❑ Engine and related components
- ❑ Limit switches and horn
- ❑ Alarms and beacons (if equipped)
- ❑ Nuts, bolts and other fasteners
- ❑ Platform entry mid-rail or gate

Check entire machine for:

- ❑ Crack in welds or structural components
- ❑ Dents or damage to machine
- ❑ Be sure that all structural and other critical components are present and all associated fasteners and pins are in place and properly tightened.
- ❑ After you complete your inspection, be sure that all compartment covers are in place and latched.

# Maintenance



## Observe and Obey:

- ☑ Only routine maintenance items specified in this manual shall be performed by the operator.
- ☑ Scheduled maintenance inspections shall be completed by qualified service technicians, according to the manufacturer's specifications and the requirements specified in the responsibilities manual.

## Maintenance Symbols Legend

### NOTICE

The following symbols have been used in this manual to help communicate the intent of the instructions. When one or more of the symbols appear at the beginning of a maintenance procedure, it conveys the meaning below.



Indicates that tools will be required to perform this procedure.



Indicates that new parts will be required to perform this procedure.



Indicates that a cold engine is required before performing this procedure.

## Check the Engine Oil Level



Maintaining the proper engine oil level is essential to good engine performance and service life. Operating the machine with an improper oil level can damage engine components.

### NOTICE

Check the oil level with the engine off.

- 1 Check the engine oil dipstick. Add oil as needed.

### GM models:

- ⊙ Result: The oil level should be within the ADD and FULL marks on the dipstick.

### Deutz models:

- ⊙ Result: The oil level should be within the two marks on the dipstick.

### Perkins models:

- ⊙ Result: The oil level should be within the two notches on the dipstick.

---

### GM 3.0L EFI Engine Oil viscosity requirements

below 0° F / -17.8° C	5W-30
above 0° F / -17.8° C	10W-30

Only use engine oils labeled "**For Gasoline Engines**" by the American Petroleum Institute (API). Units ship with 10W-30.

---

MAINTENANCE

---

**Deutz F4L 913 Engine**  
**Engine oil viscosity requirements**

below 60°F / 15.5°C	5W-30 synthetic
-10°F to 90°F / -23°C to 32°C	10W-40
above -4°F / -34°C	15W-40

Engine oil should have properties of API classification CC/SE or CC/SF grades OR ACEA classification E1-96.

---

**Perkins 704-30 Engine**  
**Oil viscosity requirements**

below 60°F / 15.5°C	15W-40
-10°F to 90°F / -23°C to 32°C	10W-30
above -4°F / -20°C	15W-40

Engine oil should have properties of API classification CF4 grade. Units ship with 10-40 CC/SG.

## Check the Hydraulic Oil Level



Maintaining the hydraulic oil at the proper level is essential to machine operation. Improper hydraulic oil levels can damage hydraulic components. Daily checks allow the inspector to identify changes in the oil level that might indicate the presence of hydraulic system problems.

- 1 Be sure that the engine is off and the boom is in the stowed position.
  - 2 Visually inspect the sight gauge located on the side of the hydraulic oil tank.
- ⊙ Result: The hydraulic oil level should be within the top 2 inches / 5 cm of the sight gauge.

---

**Hydraulic oil specifications**

Hydraulic oil type	Chevron Rykon® Premium MV equivalent
--------------------	---

## MAINTENANCE

## Check the Batteries



Proper battery condition is essential to good engine performance and operational safety. Improper fluid levels or damaged cables and connections can result in engine component damage and hazardous conditions.

**⚠ WARNING** Electrocutation hazard. Contact with hot or live circuits may result in death or serious injury. Remove all rings, watches and other jewelry.

**⚠ WARNING** Bodily injury hazard. Batteries contain acid. Avoid spilling or contacting battery acid. Neutralize battery acid spills with baking soda and water.

- 1 Put on protective clothing and eye wear.
- 2 Be sure that the battery cable connections are tight and free of corrosion.
- 3 Be sure that the battery hold-down bar is in place and secure.
- 4 Remove the battery vent caps.
- 5 Check the battery acid level. If needed, replenish with distilled water to the bottom of the battery fill tube. Do not overfill.
- 6 Install the vent caps.

**NOTICE** Adding terminal protectors and a corrosion preventative sealant will help eliminate corrosion on the battery terminals and cables.

## Check the Engine Coolant Level - Liquid Cooled Models



Maintaining the engine coolant at the proper level is essential to engine service life. An improper coolant level will affect the engine's cooling capability and damage engine components. Daily checks will allow the inspector to identify changes in coolant level that might indicate cooling system problems.

- 1 Check the fluid level in the coolant recovery tank. Add fluid as needed.
- ⊙ Result: The fluid level should be in the NORMAL range.

**⚠ WARNING** Bodily injury hazard. Fluids in the radiator are under pressure and extremely hot. Use caution when removing cap and adding fluids.

## Scheduled Maintenance

Maintenance performed quarterly, annually and every two years must be completed by a person trained and qualified to perform maintenance on this machine according to the procedures found in the service manual for this machine.

Machines that have been out of service for more than three months must receive the quarterly inspection before they are put back into service.



# Function Tests



## Do Not Operate Unless:

- ☑ You learn and practice the principles of safe machine operation contained in this operator's manual.

1 Avoid hazardous situations.

2 Always perform a pre-operation inspection.

**3 Always perform function tests prior to use.**

**Know and understand the function tests before going on to the next section.**

4 Inspect the workplace.

5 Only use the machine as it was intended.

## Fundamentals

The function tests are designed to discover any malfunctions before the machine is put into service. The operator must follow the step-by-step instructions to test all machine functions.

A malfunctioning machine must never be used. If malfunctions are discovered, the machine must be tagged and removed from service. Repairs to the machine may only be made by a qualified service technician, according to the manufacturer's specifications.

After repairs are completed, the operator must perform a pre-operation inspection and function tests again before putting the machine into service.

- 1 Select a test area that is firm, level and free of obstruction.

### At the Ground Controls

- 2 Turn the key switch to ground control.

- 3 Pull out the red Emergency Stop button to the on position.

- ⦿ Result: The LCD screen will come on and display no error messages. The beacon (if equipped) should flash.

Note: In cold climates, the LCD readout screen will need to warm up before the display appears.

- 4 Start the engine. See Operating Instructions section.

### Test Emergency Stop

- 5 Push in the red Emergency Stop button to the off position.

- ⦿ Result: The engine should turn off and no functions should operate.

- 6 Pull out the red Emergency Stop button to the on position and restart the engine.

### Test the Machine Functions

- 7 Do not press and hold a function enable/speed select button. Attempt to activate each boom and platform function button.

- ⦿ Result: No boom and platform functions should operate.

- 8 Press and hold a function enable /speed select button and activate each boom and platform function button.

- ⦿ Result: All boom and platform functions should operate through a full cycle. The descent alarm (if equipped) should sound while the boom is lowering.

## FUNCTION TESTS



**Test Auxiliary Controls**

- 9 Shut the engine off.
- 10 Pull out the red Emergency Stop button to the on position.
- 11 Simultaneously push and hold the auxiliary power button and push each boom function button.

Note: To conserve battery power, test each function through a partial cycle.

- ⊙ Result: All boom functions should operate.

**Test the Tilt Sensor**

- 12 Push one of the LCD screen buttons until TURNTABLE LEVEL SENSOR X-DIRECTION appears.  

- ⊙ Result: The LCD screen should display the angle in degrees.



- 13 Push one of the LCD screen buttons until TURNTABLE LEVEL SENSOR Y-DIRECTION appears.

- ⊙ Result: The LCD screen should display the angle in degrees.

- 14 Push one of the LCD screen buttons until PLATFORM LEVEL SENSOR DEGREES appears.

- ⊙ Result: The LCD screen should display the angle in degrees.



**Test the Operating Envelope**



- 15 Push one of the LCD screen buttons shown until PRI BOOM ANGLE is displayed.  

- 16 Raise the primary boom and observe the LCD screen.

- ⊙ Result: The primary boom should raise and the LCD screen should display the primary boom angle in degrees from 35 to 68. The primary boom should stop when the screen reads 68 degrees.

- 17 Lower the primary boom.

- 18 Simultaneously push the LCD screen buttons shown to activate status mode.  

- 19 Push one of the LCD screen buttons shown until SEC BOOM ANGLE is displayed.  

- 20 Push and hold the secondary boom up/extend button.

- ⊙ Result: The secondary boom should raise and the LCD screen should display:  
0DEG  
>0DEG  
AT65DEG  
AT 0 FT  
>0 FT  
>22 FT

The secondary boom should raise and then extend. The secondary boom should not extend until it is fully raised.

- 21 Push and hold the secondary boom down/retract button.

- ⊙ Result: The secondary boom should fully retract and then lower. The secondary boom should not lower unless it is fully retracted.

## FUNCTION TESTS

**At the Platform Controls****Test Emergency Stop**

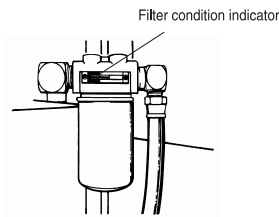
- 22 Turn the key switch to platform control.
- 23 Push in the platform red Emergency Stop button to the off position.
- ⦿ Result: The engine should turn off and no functions should operate.
- 24 Pull out the red Emergency Stop button and restart the engine.

**Test the Hydraulic Oil Return Filter**

- 25 Press the engine idle speed select button until the indicator light next to high idle (rabbit symbol) is on.

- 26 Locate and check the hydraulic filter condition indicator.

- ⦿ Result: The filter should be operating with the plunger in the green area.



- 27 Press the engine idle speed select button until the indicator light next to foot switch activated high idle (rabbit and foot switch symbol) is on.

**Test the Horn**

- 28 Push the horn button.
- ⦿ Result: The horn should sound.

**Test the Tilt Sensor Alarm**

- 29 Push a button, such as the engine RPM button or the fuel select button.
- ⦿ Result: The alarm should sound at the platform controls.

**Test the Foot Switch**

- 30 Push in the platform red Emergency Stop button to the off position.
- 31 Pull out the red Emergency Stop button to the on position but do not start the engine.
- 32 Press down the foot switch and attempt to start the engine by pushing the engine start button.
- ⦿ Result: The engine should not start.
- 33 Do not press down the foot switch and restart the engine.
- 34 Do not press down the foot switch and test each machine function.
- ⦿ Result: No machine functions should operate.

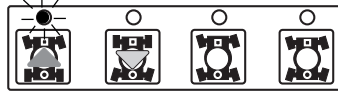
**Test Machine Functions**

- 35 Press down the foot switch.
- 36 Activate each machine function control handle, toggle switch or button.
- ⦿ Result: All functions should operate through a full cycle.

## FUNCTION TESTS

**Test the Steering (models with 4 wheel steer)**

- 37 Push the steer mode select button for square-end (blue arrow) steer.

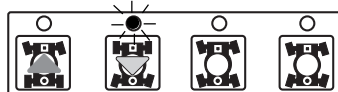


- 38 Press down the foot switch.

- 39 Slowly move the drive/steer control handle in the direction indicated by the blue triangle on the control panel OR press the thumb rocker switch in the direction indicated by the blue triangle.

- Result: The square-end wheels should turn in the direction that the blue triangles point on the drive chassis.

- 40 Push the steer mode select button for circle-end (yellow arrow) steer.

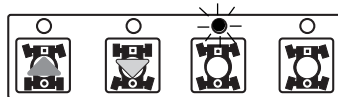


- 41 Press down the foot switch.

- 42 Slowly move the drive/steer control handle in the direction indicated by the yellow triangle on the control panel OR press the thumb rocker switch in the direction indicated by the yellow triangle.

- Result: The circle-end wheels should turn in the direction that the yellow triangles point on the drive chassis.

- 43 Push the steer mode select button for crab steer.

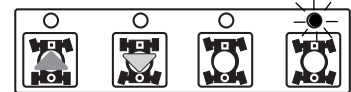


- 44 Press down the foot switch.

- 45 Slowly move the drive/steer control handle in the direction indicated by the blue triangle on the control panel OR press the thumb rocker switch in the direction indicated by the blue triangle..

- Result: All wheels should turn in the direction that the blue triangles point on the drive chassis.

- 46 Push the steer mode select button for coordinated steer.



- 47 Press down the foot switch.

- 48 Slowly move the drive/steer control handle in the direction indicated by the blue triangle on the control panel OR press the thumb rocker switch in the direction indicated by the blue triangle.

- Result: The square-end wheels should turn in the direction that the blue triangles point on the drive chassis. The circle-end wheels should turn in the direction that the yellow triangles point on the drive chassis.

**Test the Steering (models with 2 wheel steer)**

- 49 Press down the foot switch.

- 50 Press the thumb rocker switch on top of the drive control handle in the direction indicated by the blue triangle on the control panel OR slowly move the drive/steer control handle in the direction indicated by the blue triangle.

- Result: The steer wheels should turn in the direction that the blue triangles point on the drive chassis.

- 51 Press the thumb rocker switch in the direction indicated by the yellow triangle on the control panel OR slowly move the drive/steer handle in the direction indicated by the yellow triangle.

- Result: The steer wheels should turn in the direction that the yellow triangles point on the drive chassis.

## FUNCTION TESTS

**Test Drive and Braking**

- 52 Press down the foot switch.
- 53 Slowly move the drive/steer control handle in the direction indicated by the blue arrow on the control panel until the machine begins to move, then return the handle to the center position.
- ⦿ Result: The machine should move in the direction that the blue arrow points on the drive chassis, then come to an abrupt stop.
- 54 Slowly move the drive/steer control handle in the direction indicated by the yellow arrow on the control panel until the machine begins to move, then return the handle to the center position.
- ⦿ Result: The machine should move in the direction that the yellow arrow points on the drive chassis, then come to an abrupt stop.

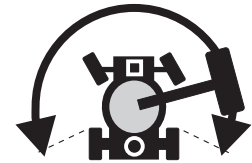
Note: The brakes must be able to hold the machine on any slope it is able to climb.

**Test the Oscillate Axle (oscillating axle-equipped models)**

- 55 Start the engine from the platform controls.
- 56 Drive the right square-end tire up onto a 6 inch / 15.2 cm block or curb.
- ⦿ Result: The three remaining tires should stay in firm contact with the ground.
- 57 Drive the left square-end tire up onto a 6 inch / 15.2 cm block or curb.
- ⦿ Result: The three remaining tires should stay in firm contact with the ground.
- 58 Drive both square-end tires up onto a 6 inch / 15.2 cm block or curb.
- ⦿ Result: The circle-end tires should stay in firm contact with the ground.

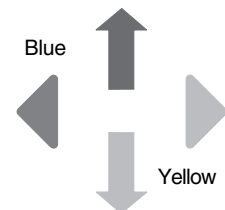
**Test the Drive Enable System**

- 59 Press down the foot switch and lower the booms to the stowed position.
- 60 Rotate the turntable until the primary boom moves past one of the circle-end tires.
- ⦿ Result: The drive enable indicator light should come on while the boom is anywhere in the range shown.
- 61 Move the drive/steer control handle off center.
- ⦿ Result: No drive function should operate.
- 62 Push the drive enable button and slowly move the drive/steer control handle off center.
- ⦿ Result: The drive function should operate.



Note: When the drive enable system is in use, the machine may drive in the opposite direction that the drive and steer control handle is moved.

Use the color-coded direction arrows on the platform controls and the drive chassis to identify the direction of travel.



If the drive/steer control handle is not moved within two seconds of pushing the drive enable button, the drive function will not operate.

## FUNCTION TESTS

**Test Limited Drive Speed**

63 Press down the foot switch.

64 Raise the primary boom to 10° above horizontal.

65 Slowly move the drive control handle to the full drive position.

- ⦿ Result: The maximum achievable drive speed with the primary boom raised should not exceed 1 foot / 30 cm per second.

Note: The machine will travel 40 feet / 12 m in 40 seconds.

66 Lower the primary boom to the stowed position.

67 Extend the primary boom 4 feet / 1.2 m.

68 Slowly move the drive control handle to the full drive position.

- ⦿ Result: The maximum achievable drive speed with the primary boom extended should not exceed 1 foot / 30 cm per second.

Note: The machine will travel 40 feet / 12 m in 40 seconds.

69 Retract the primary boom to the stowed position.

70 Raise the secondary boom to 10° above horizontal.

71 Slowly move the drive control handle to the full drive position.

- ⦿ Result: The maximum achievable drive speed with the secondary boom raised should not exceed 1 foot / 30 cm per second.

Note: The machine will travel 40 feet / 12 m in 40 seconds.

72 Lower the secondary boom to the stowed position.

If the drive speed with the primary or secondary boom raised or the primary boom extended exceeds 1 foot / 30 cm per second, immediately tag and remove the machine from service.

**Test Auxiliary Controls**

73 Push in the red Emergency Stop button to the off position to shut off the engine.

74 Pull out the red Emergency Stop button to the on position.

75 Press down the foot switch.

76 Simultaneously press and hold the auxiliary power button and activate each function control handle, toggle switch or button.

Note: To conserve battery power, test each function through a partial cycle.

- ⦿ Result: All boom and steer functions should operate.

# Workplace Inspection



---

## Do Not Operate Unless:

- You learn and practice the principles of safe machine operation contained in this operator's manual.

- 1 Avoid hazardous situations.
- 2 Always perform a pre-operation inspection.
- 3 Always perform function tests prior to use.

### 4 Inspect the workplace.

**Know and understand the workplace inspection before going on to the next section.**

- 5 Only use the machine as it was intended.

## Fundamentals

The workplace inspection helps the operator determine if the workplace is suitable for safe machine operation. It should be performed by the operator prior to moving the machine to the workplace.

It is the operator's responsibility to read and remember the workplace hazards, then watch for and avoid them while moving, setting up and operating the machine.

## Workplace Inspection

Be aware of and avoid the following hazardous situations:

- drop-offs or holes
- bumps, floor obstructions or debris
- overhead obstructions and high voltage conductors
- hazardous locations
- inadequate surface support to withstand all load forces imposed by the machine
- wind and weather conditions
- the presence of unauthorized personnel
- other possible unsafe conditions

# Operating Instructions



## Do Not Operate Unless:

- You learn and practice the principles of safe machine operation contained in this operator's manual.

- 1 Avoid hazardous situations.
- 2 Always perform a pre-operation inspection.
- 3 Always perform function tests prior to use.
- 4 Inspect the workplace.
- 5 Only use the machine as it was intended.**

## Fundamentals

The Operating Instructions section provides instructions for each aspect of machine operation. It is the operator's responsibility to follow all the safety rules and instructions in the operator's, safety and responsibilities manuals.

Using the machine for anything other than lifting personnel and tools to an aerial work site is unsafe and dangerous.

Only trained and authorized personnel should be permitted to operate a machine. If more than one operator is expected to use a machine at different times in the same work shift, they must all be qualified operators and are all expected to follow all safety rules and instructions in the operator's, safety and responsibilities manuals. That means every new operator should perform a pre-operation inspection, function tests, and a workplace inspection before using the machine.

## Starting the Engine

- 1 At the ground controls, turn the key switch to the desired position.
- 2 Be sure both the ground and platform control red Emergency Stop buttons are pulled out to the on position.
- 3 Gasoline/LPG models: Choose fuel by pressing the fuel select button.
- 4 Press the engine start button. If the engine fails to start or dies, the restart delay will disable the start button for 3 seconds.



If the engine fails to start after 15 seconds of cranking, determine the cause and repair any malfunction. Wait 60 seconds before trying to start again.

All models: In extreme cold conditions, 20°F / -6°C and below, warm the engine for 5 minutes to prevent hydraulic system damage.

Gasoline/LPG models: In extreme cold conditions, 20°F / -6°C and below, the machine should be started on gasoline, then switched to LPG.

## Emergency Stop

Push in either the ground or platform red Emergency Stop button to the off position to stop all functions and turn the engine off.

Repair any function that operates when the red Emergency Stop button is pushed in to the off position.

Selecting and operating the ground controls will override the platform red Emergency Stop button.



OPERATING INSTRUCTIONS

### Auxiliary Controls

Use auxiliary power if the primary power source (engine) fails.

- 1 Turn the key switch to ground or platform control.
- 2 Pull out the red Emergency Stop button to the on position.
- 3 Press down the foot switch when operating the auxiliary controls from the platform.
- 4 Simultaneously hold the auxiliary power button and activate the desired function.

Machines equipped with the auxiliary power drive option: The drive function will operate.

### Operation from Ground

- 1 Turn the key switch to ground control.
- 2 Pull out the red Emergency Stop button to the on position.
- 3 Gasoline/LPG models: Choose fuel by pressing the fuel select button.
- 4 Start the engine.

#### To Position Platform

- 1 Push and hold a function enable/speed select button.
- 2 Push the appropriate function button according to the markings on the control panel.



Drive and steer functions are not available from the ground controls.

### Operation from Platform

- 1 Turn the key switch to platform control.
- 2 Pull out both ground and platform red Emergency Stop buttons to the on position.
- 3 Gasoline/LPG models: Choose fuel by pressing the fuel select button.
- 4 Start the engine. Do not press down the foot switch when starting the engine.

#### To Position Platform

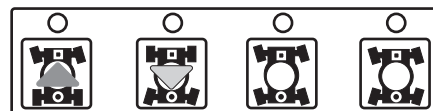
- 1 Press down the foot switch.
- 2 Slowly move the appropriate function control handle or toggle switch or press the appropriate button according to the markings on the control panel.

#### To Steer

- 1 Press down the foot switch.

#### Models with 4 wheel steer:

- 2 Select the steer mode by pressing a steer mode button. The indicator light next to the current steer mode will be on.



#### All models:

- 3 Slowly move the drive/steer control handle in the direction indicated by the blue or yellow triangles OR press the thumb rocker switch located on top of the drive control handle.



Use the color-coded direction arrows on the platform controls and the drive chassis to identify the direction the wheels will turn.

## OPERATING INSTRUCTIONS

**To Drive**

- 1 Press down the foot switch.
- 2 Increase speed: Slowly move the drive/steer control handle in the direction indicated by the blue or yellow arrows.



Decrease speed: Slowly move the drive/steer control handle toward center.

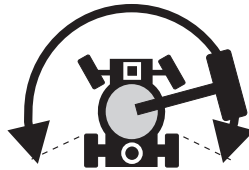
Stop: Return the drive/steer control handle to center or release the foot switch.

Use the color-coded direction arrows on the platform controls and the drive chassis to identify the direction the machine will travel.

Machine travel speed is restricted when the boom is raised or extended.

**Drive Enable**

Light on indicates that the boom has moved past either circle-end wheel and the drive function is turned off.



To drive, push the drive enable button and slowly move the drive/steer control handle off center.

If the drive/steer control handle is not moved within two seconds of pushing the drive enable button, the drive function will not operate. Release and push the drive enable button again.

Be aware that the machine may move in the opposite direction that the drive and steer controls are moved.

Always use the color-coded direction arrows on the platform controls and the drive chassis to identify the direction the machine will travel.

**Regulated Generator (if equipped)**

To operate the generator, press the generator button. The indicator light will come on and the engine will continue to run.

Plug power tools into the power to platform GFCI outlet.

To turn off the generator, push the generator button. The indicator light will turn off.

**Engine Idle Select (rpm)**

Select the engine idle (rpm) by pressing the select button. The indicator light next to the current setting will be on.



- Rabbit and foot switch symbol: foot switch activated high idle
- Turtle symbol: low idle
- Rabbit symbol: high idle

## OPERATING INSTRUCTIONS

**Check Engine Light**

Light on and engine stopped: Tag the machine and remove from service.

Light on and engine still running: Contact service personnel within 24 hours.

**Operating Envelope Indicator Lights**

The operating envelope indicator lights will come on to notify the operator that a function has been interrupted and/or an action is required by the operator.

Lower Primary Boom indicator light flashing: Lower the primary boom until the indicator light is off.



Machine Not Level indicator light flashing: The tilt alarm will be sounding when this light is flashing. Move the machine to a firm level surface.



Platform Not Level indicator light flashing: The tilt alarm will be sounding when this light is flashing. The Platform Level toggle switch will only work in the direction that will level the platform. Level the platform until the indicator light is off.

**Stopping the Engine**

Push in the red Emergency Stop button and turn the key switch to the off position.

**After Each Use**

- 1 Select a safe parking location—firm level surface, clear of obstruction and traffic.
- 2 Retract and lower the boom to the stowed position.
- 3 Rotate the turntable so that the boom is between the circle-end wheels.
- 4 Turn the key switch to the off position and remove the key to secure from unauthorized use.
- 5 Chock the wheels.

# Decals

## Decal Inspection

Use the pictures on the next page to verify that all decals are legible and in place.

Below is a numerical list with quantities and descriptions.

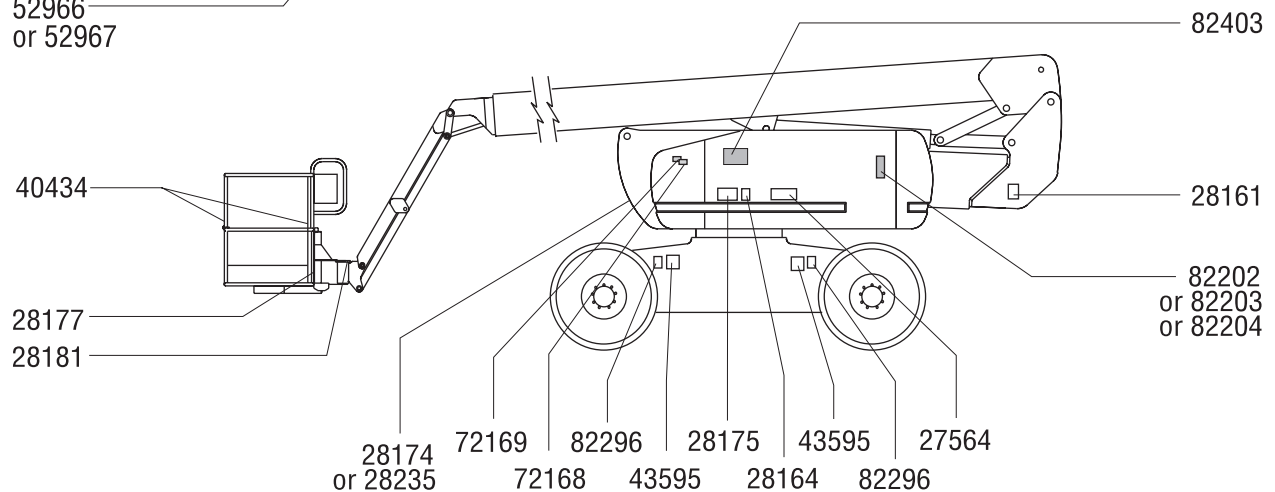
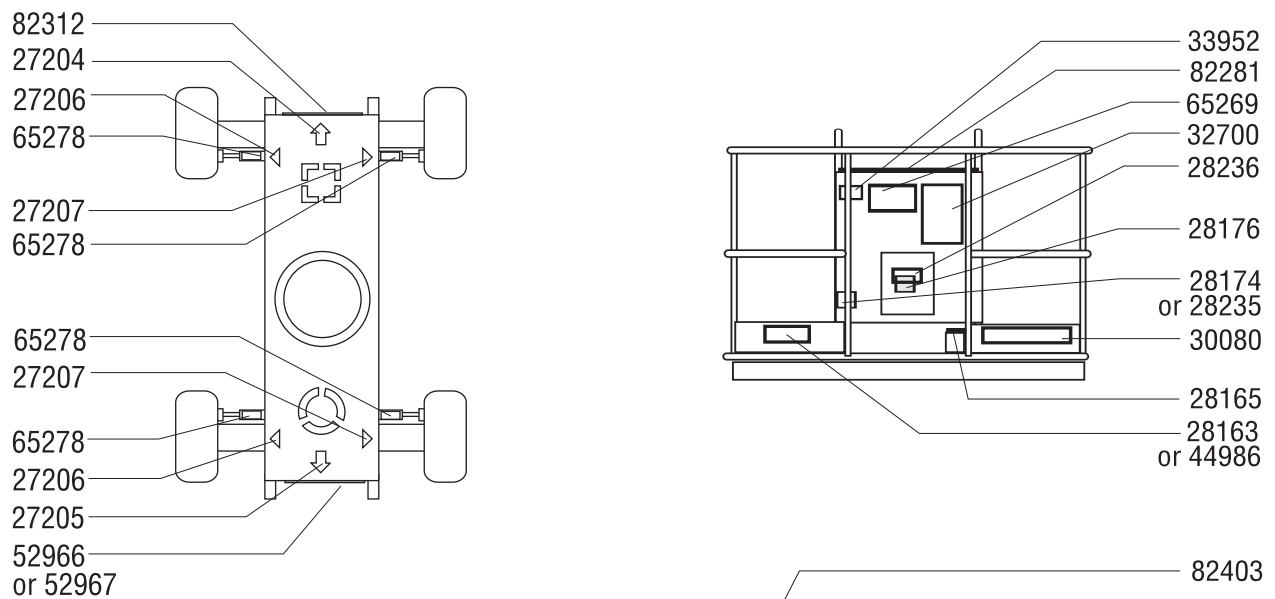
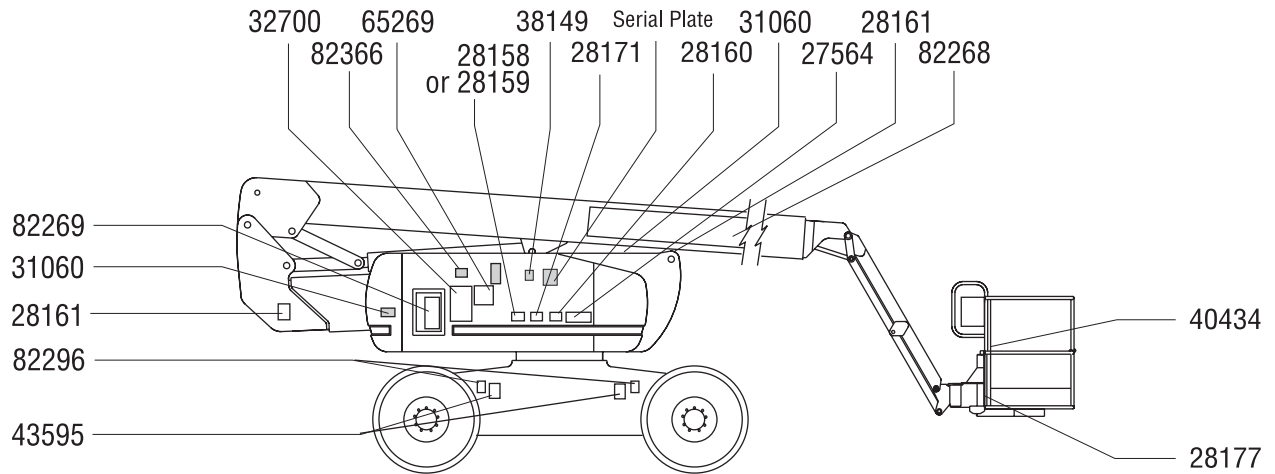
Part No.	Description	Quantity
27204	Arrow - Blue	1
27205	Arrow - Yellow	1
27206	Triangle - Blue	2
27207	Triangle - Yellow	2
27564	Danger - Electrocution Hazard	2
28158	Label - Unleaded	1
28159	Label - Diesel	1
28160	Label - LPG	1
28161	Warning - Crushing Hazard	3
28163	Notice - Max. Side Force, 150 lbs / 667 N, ANSI & CSA	1
28164	Notice - Hazardous Materials	1
28165	Notice - Footswitch	1
28171	Label - No Smoking	1
28174	Label - Power to Platform, 230V	2
28175	Caution - Compartment Access	1
28176	Notice - Missing Manuals	1
28177	Warning - Collision Hazard	2
28181	Warning - No Step or Ride	1
28235	Label - Power to Platform, 115V	2
28236	Warning - Failure To Read . . .	1
30080	Notice - Max. Capacity, 500 lbs / 227 kg	1
31060	Danger - Tip-over Hazard	2
32700	Danger - General Safety	2
33952	Danger - Tip-over Hazard	1
38149	Label - Patents	1
40434	Label - Lanyard Anchorage	3

Part No.	Description	Quantity
43595	Danger - Tip-over Hazard, Tires	4
44986	Notice - Max. Manual Force, 90 lbs / 400 N, CE	1
52966	Cosmetic - 4 x 2	1
52967	Cosmetic - 4 x 4	1
65269	Notice - Operating Instructions	2
65278	Caution - No Step	4
72168	Notice - Starter Battery	1
72169	Notice - Controls Battery	1
82202	Notice - Engine Specifications, Perkins	1
82203	Notice - Engine Specifications, GM	1
82204	Notice - Engine Specifications, Deutz	1
82268	Cosmetic - Genie Z-80/60	1
82269	Ground Control Panel	1
82281	Platform Control Panel	1
82296	Notice - Tire Specifications	4
82312	Cosmetic - Z-80	1
82366	Label - Chevron Rykon	1
82403	Label - Fuse and Relay Panel Layout	1



Shading indicates decal is hidden from view, i.e. under covers

DECALS



# Transport and Lifting Instructions



## Observe and Obey:

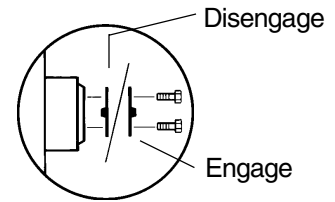
- ☑ The transport vehicle must be parked on a level surface.
- ☑ The transport vehicle must be secured to prevent rolling while the machine is being loaded.
- ☑ Be sure the vehicle capacity, loading surfaces and chains or straps are sufficient to withstand the machine weight. See the serial plate for the machine weight.
- ☑ Be sure the turntable is secured with the turntable rotation lock before transporting. Be sure to unlock the turntable for operation.

## Free-wheel Configuration for Winching

Chock the wheels to prevent the machine from rolling.

2WD models: Release the non-steer wheel brakes by turning over the drive hub disconnect caps.

4WD models: Release the wheel brakes by turning over all four drive hub disconnect caps.



Be sure the winch line is properly secured to the drive chassis tie points and the path is clear of all obstructions.

Reverse the procedures described to re-engage the brakes.

Note: The pump free-wheel valve should always remain closed.

TRANSPORT AND LIFTING INSTRUCTIONS

**Securing to Truck or Trailer for Transit**

Always use the turntable rotation lock pin each time the machine is transported.

Turn the key switch to the off position and remove the key before transporting.

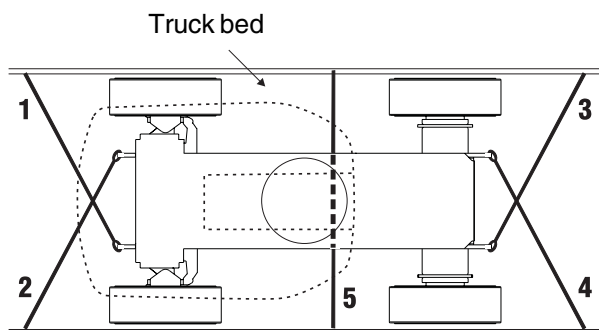
Inspect the entire machine for loose or unsecured items.

**Securing the Chassis**

Use chains of ample load capacity.

Use a minimum of 5 chains.

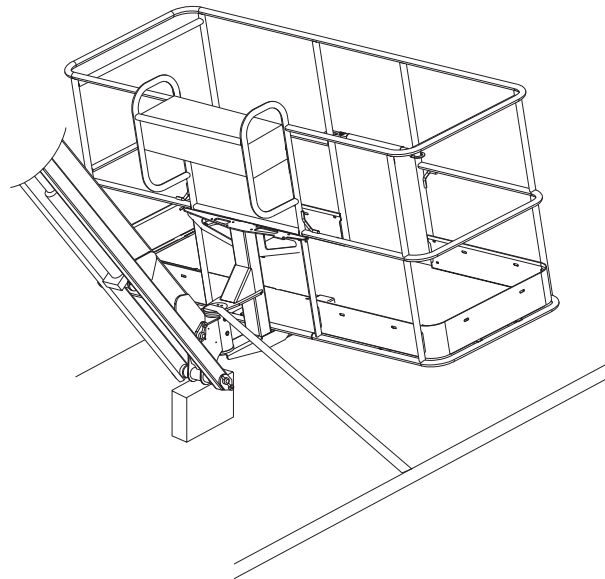
Adjust the rigging to prevent damage to the chains.



**Securing the Platform**

Place a block under the rotator. Do not allow the block to contact the platform cylinder.

Secure the platform with a nylon strap placed over the jib knuckle. Do not use excessive downward force when securing the boom section.



TRANSPORT AND LIFTING INSTRUCTIONS



**Observe and Obey:**

- ☑ Only qualified riggers should rig and lift the machine.
- ☑ Be sure the crane capacity, loading surfaces and straps or lines are sufficient to withstand the machine weight. See the serial plate for the machine weight.

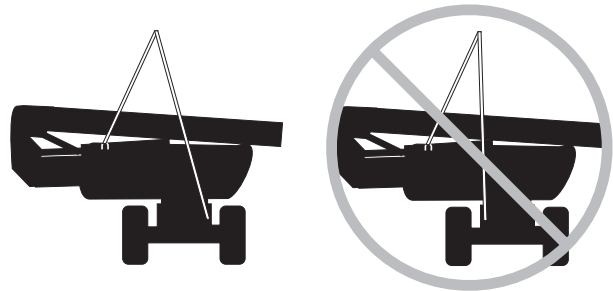
**Lifting Instructions**

Fully lower and retract both the primary and secondary booms. Remove all loose items on the machine.

Rotate the turntable 90 degrees.

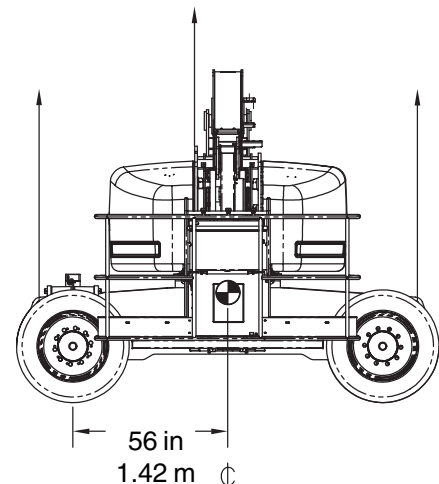
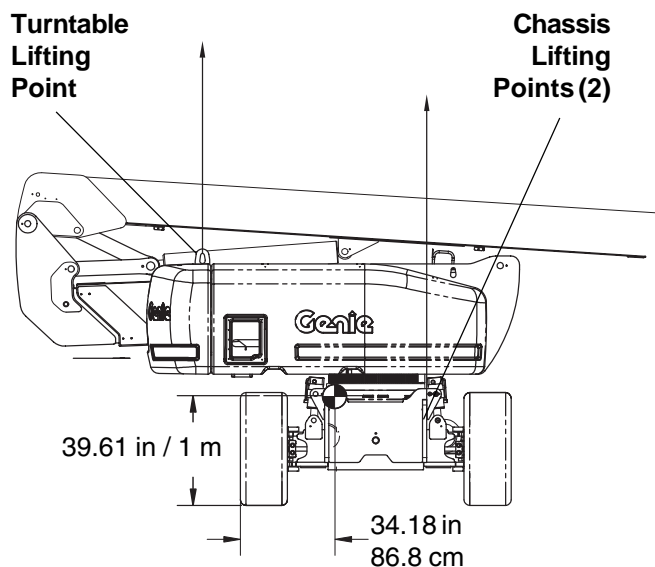
Determine the center of gravity of your machine using the measurements on the pictures on this page.

Attach the rigging only to the designated lifting points on the machine.



Attach the rigging to the 2 chassis lifting points farthest from the turntable lifting point.

Adjust the rigging to prevent damage to the machine and to keep the machine level.





# Specifications

<b>Z-80/60</b>		
Height, working maximum	86 ft	26.2 m
Height, platform maximum	80 ft	24.4 m
Height, stowed maximum	9 ft 10 in	3 m
Horizontal reach maximum	60 ft	18.3 m
Width	8 ft 2 in	2.5 m
Length, stowed	37 ft	11.3 m
Length, stowed for transport	30 ft	9.1 m
Maximum load capacity	500 lb	227 kg
Wheelbase	9 ft 4 in	2.8 m
Ground clearance	12 in	30.5 cm
Turning radius, outside		
2 wheel steer	24 ft 7 in	7.5 m
4 wheel steer	15 ft 2 in	4.6 m
Turning radius, inside		
2 wheel steer	14 ft 6 in	4.4 m
4 wheel steer	7 ft	2.1 m
Turntable rotation (degrees)	360° continuous	
Turntable tailswing, secondary boom lowered	10 ft 10 in	3.3 m
Turntable tailswing, secondary boom raised	3 ft	90 cm
Power source (choice)	Perkins Diesel 704-30 Deutz Diesel F4L913 GM 3.0L	
Drive speed, stowed	3 mph 40 ft/9.1 sec	4.8 km/h 12.2 m/9.1 sec
Drive speed, raised or extended	0.7 mph 40 ft/40 sec	1.1 km/h 12.2 m/40 sec

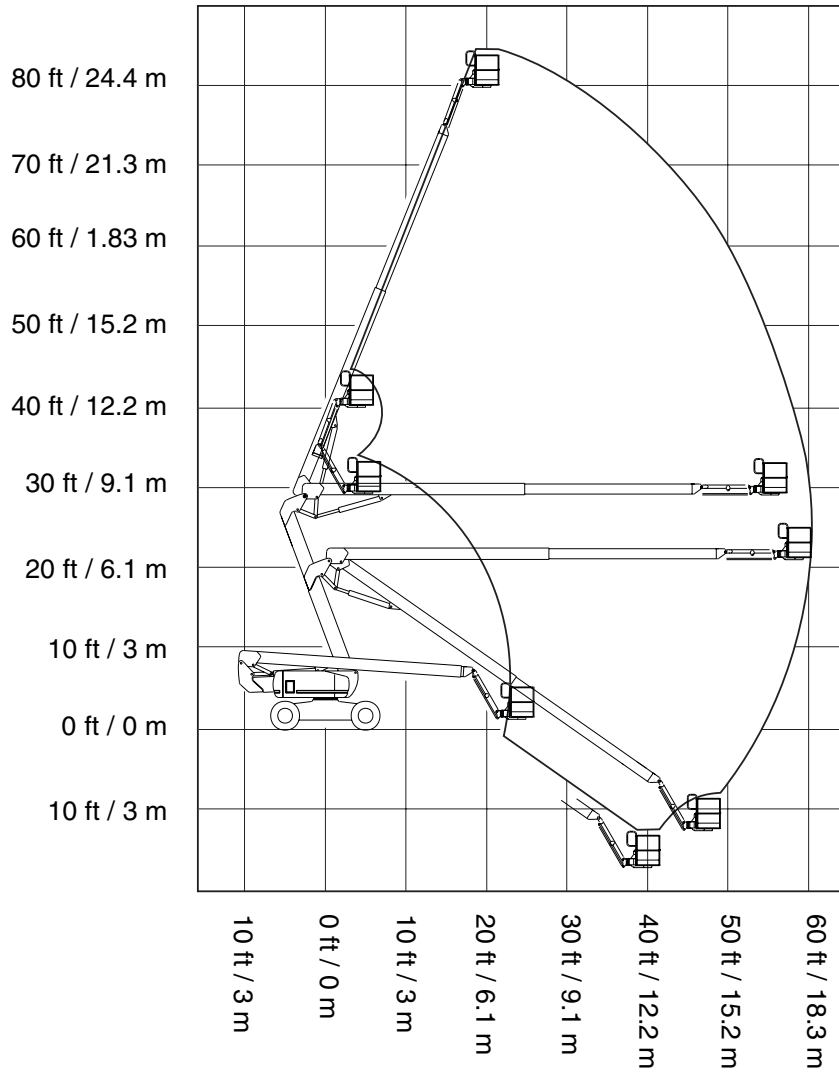
Controls	12V DC proportional	
Platform dimensions, 6 foot (length x width)	72 in x 30 in 1.8 m x 76 cm	
Platform dimensions, 8 foot (length x width)	96 in x 36 in 2.4 m x 91 cm	
Platform leveling	self-leveling	
Platform rotation	160°	
AC outlet in platform	standard	
Hydraulic pressure (maximum) (boom functions)	3200 psi 220 bar	
Tire size	18-625, 16 ply FF	
Gradeability, 4WD, stowed	50 %	
Gradeability, 2WD, stowed	30 %	
Fuel tank capacity	40 gallons	151 liters
Weight	See Serial Plate (Machine weights vary with option configurations)	
Airborne noise emissions	80 dB	
Maximum sound level at normal operating workstations (A-weighted)		
<b>Floor Loading Information</b>		
GVW+Rated Load	38,000 lbs	17,237 kg
Axle load, maximum	27,813 lbs	12,616 kg
Wheel load, maximum	13,530 lbs	7044 kg
Localized pressure per tire	217 psi	15.3 kg/cm <sup>2</sup> 1496 kPa
Occupied pressure	358 psf	2468 kPa

Note: Floor loading information is approximate and does not incorporate different option configurations. It should be used only with adequate safety factors.

**Continuous improvement of our products is a Genie policy. Product specifications are subject to change without notice or obligation.**

SPECIFICATIONS

**Z-80/60 Range of Motion**



# California Proposition 65

# WARNING

The exhaust from this product contains chemicals known to the State of California to cause cancer, birth defects or other reproductive harm.

**Genie Holland**

**Phone** +31 70 51 78836  
**Fax** +31 70 51 13993

**Genie Scandinavia**

**Phone** +46 31 3409612  
**Fax** +46 31 3409613

**Genie France**

**Phone** +33 (0)2 37 26 09 99  
**Fax** +33 (0)2 37 26 09 98

**Genie Ibérica**

**Phone** +34 93 579 5042  
**Fax** +34 93 579 5059

**Genie Germany**

**Phone** +49 (0)4202 88520  
**Fax** +49 (0)4202 8852-20

**Genie U.K.**

**Phone** +44 (0)1476 584333  
**Fax** +44 (0)1476 584334

**Genie Mexico City**

**Phone** +52 55 5666 5242  
**Fax** +52 55 5666 3241

**Genie North America**

**Phone** 425.881.1800  
**Toll Free** USA and Canada  
800.536.1800  
**Fax** 425.883.3475

**Genie Australia Pty Ltd.**

**Phone** +61 7 3375 1660  
**Fax** +61 7 3375 1002

**Genie China**

**Phone** +86 21 53852570  
**Fax** +86 21 53852569

**Genie Malaysia**

**Phone** +60 4 228 1235  
**Fax** +60 4 226 6872

**Genie Japan**

**Phone** +81 3 3453 6082  
**Fax** +81 3 3453 6083

**Genie Korea**

**Phone** +82 2 558 7267  
**Fax** +82 2 558 3910

**Genie Africa**

**Phone** +27 11 455 0373  
**Fax** +27 11 455 0355

**Genie Latin America**

**Phone** +55 11 4055 2499  
**Fax** +55 11 4043 1661

Distributed By: