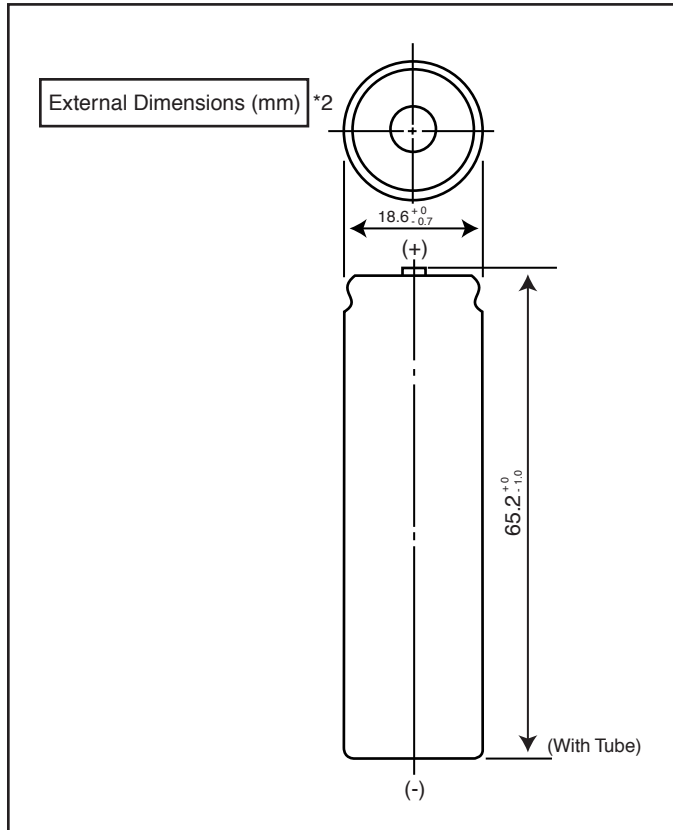


CGR18650CG: Cylindrical Model



To ensure safety, the referenced Li-ion cell is not sold as a bare cell. Li-ion cells must be integrated with the appropriate safety circuitry via an authorized Panasonic Li-ion pack assembler.

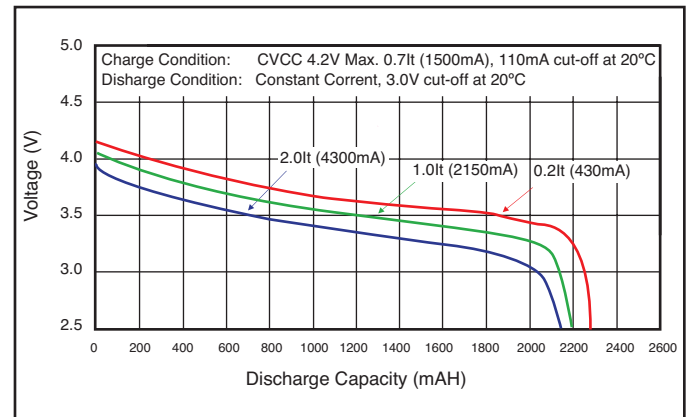
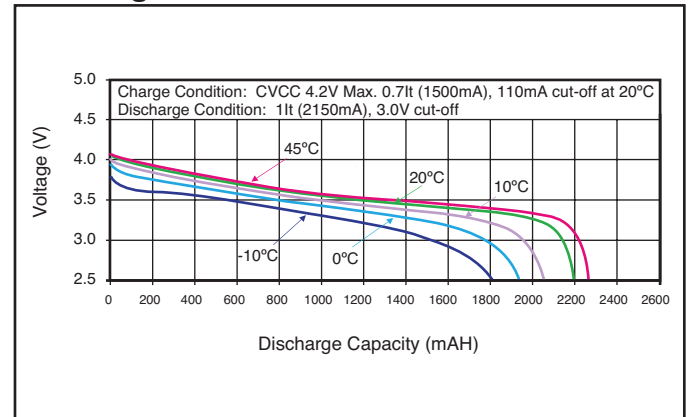
Specifications

Nominal Voltage		3.6 V
Standard Capacity*1		2250mAh
Dimensions*2	Diameter	18.6 + 0/-0.7mm
	Height	65.2 + 0/-1.0mm
	Weight	Approx. 45g

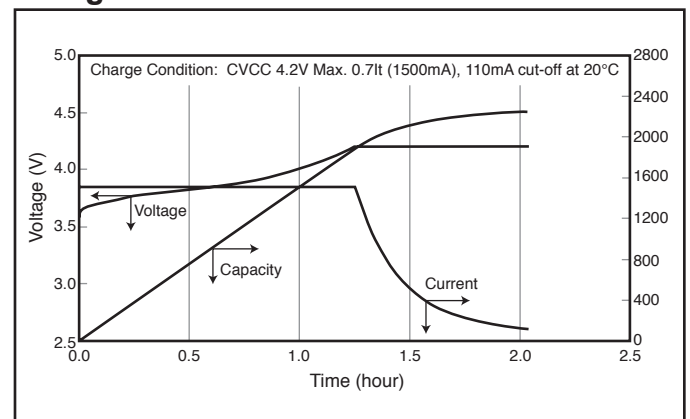
*1 After a fresh battery has been charged at constant voltage/constant current (4.2 V, 1500mA (max), 2 hours, 20°C), the average of the capacity (ending voltage of 3 V at 20°C) that is discharged at a standard current (430mA).

*2 Dimensions of a fresh battery

Discharge Characteristics



Charge Characteristics



Cycle Life Characteristics

